



US00D830420S

(12) **United States Design Patent**
Covington et al.

(10) **Patent No.:** **US D830,420 S**
(45) **Date of Patent:** **** Oct. 9, 2018**

- (54) **LAWNMOWER FRONT AXLE**
- (71) Applicants: **Charles Bradley Covington**, Batesville, AR (US); **Warren Russell Long**, Batesville, AR (US)
- (72) Inventors: **Charles Bradley Covington**, Batesville, AR (US); **Warren Russell Long**, Batesville, AR (US)

6,857,254 B2 * 2/2005 Melone A01D 34/64
56/15.8
7,107,746 B2 * 9/2006 Melone A01D 34/64
56/15.8
D560,690 S * 1/2008 Higashikawa D15/10
7,708,292 B2 * 5/2010 Foster A01D 34/64
280/124.117
D626,572 S * 11/2010 Moriguchi D15/15
8,104,552 B2 * 1/2012 Papke A01D 34/82
180/19.3
D674,816 S * 1/2013 Higashikawa D15/15
(Continued)

(**) Term: **15 Years**

(21) Appl. No.: **29/622,348**

(22) Filed: **Oct. 17, 2017**

Primary Examiner — Mark Goodwin

(74) *Attorney, Agent, or Firm* — Keisling & Pieper PLC;
Trent C. Keisling

Related U.S. Application Data

(63) Continuation-in-part of application No. 29/578,382, filed on Sep. 21, 2016, now Pat. No. Des. 800,181.

(51) **LOC (11) Cl.** **15-03**

(52) **U.S. Cl.**
USPC **D15/17**

(58) **Field of Classification Search**
USPC D15/10, 14-17, 22, 28, 33; 56/12.1, 56/12.7, 12.8, 13.4, 13.7, 16.7, 17.1, 17.5, 56/202, 255, 320.1, 320.2; 180/89.1, 311
CPC Y10S 56/22; A01D 2101/00; A01D 34/63; A01D 34/64; A01D 34/74; A01D 34/00
See application file for complete search history.

(56) **References Cited**

U.S. PATENT DOCUMENTS

D363,495 S * 10/1995 Good D15/15
D380,761 S * 7/1997 Saylor D15/15
6,244,025 B1 * 6/2001 Ferris A01D 34/64
56/15.8
6,460,318 B1 * 10/2002 Ferris A01D 34/64
280/124.141
6,698,172 B2 * 3/2004 Ferris A01D 34/64
56/15.8
D494,985 S * 8/2004 Kim D15/17

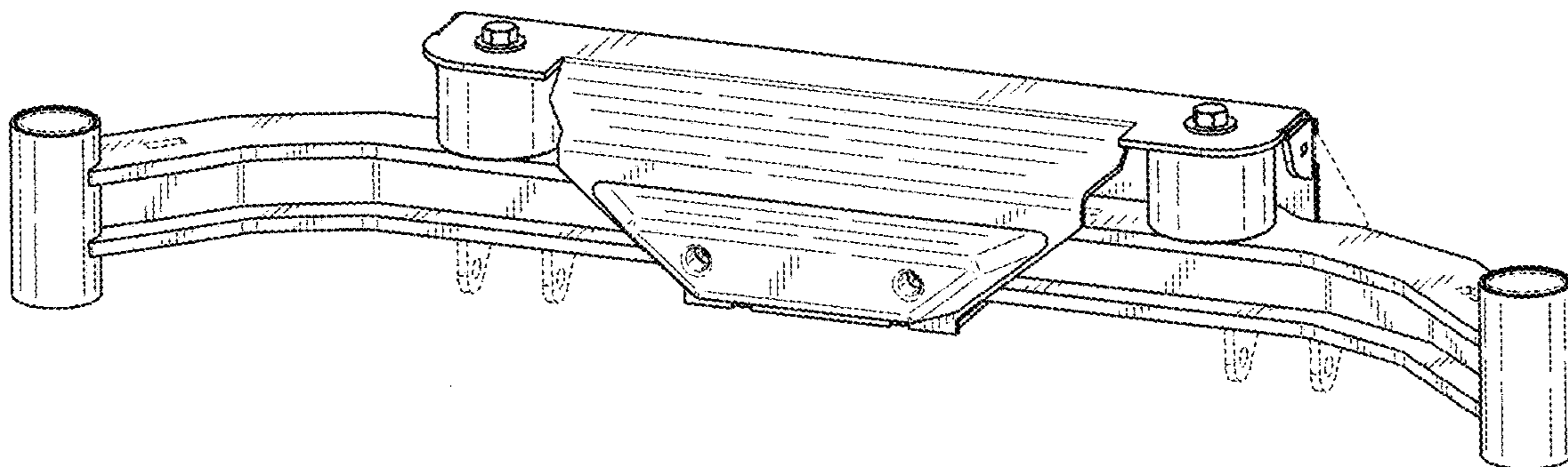
(57) **CLAIM**

The ornamental design for a lawnmower front axle, as shown and described.

DESCRIPTION

FIG. 1 is an elevational view taken generally from the front side of the lawnmower front axle showing our new design, with the portions shown in broken line being for illustrative purposes only and forming no part of the claimed design; FIG. 2 is a perspective view taken generally from the front thereof; FIG. 3 is a perspective view taken generally from the rear thereof; FIG. 4 is a top plan view taken thereof; FIG. 5 is an elevational view taken from the front side thereof; FIG. 6 is a side elevational view with the opposite side being a mirror image thereof; FIG. 7 is a bottom plan view thereof; and, FIG. 8 is an elevational view taken from the rear side thereof.

1 Claim, 4 Drawing Sheets



(56)

References Cited

U.S. PATENT DOCUMENTS

8,397,367	B2 *	3/2013	Melone	A01D 34/64 29/428
D681,685	S *	5/2013	Higashikawa	D15/15
D693,852	S *	11/2013	Brazier	D15/17
D722,619	S *	2/2015	Phillips	D15/17
D742,931	S *	11/2015	Burns, Jr.	D15/17
D800,181	S *	10/2017	Covington	D15/17
2011/0197419	A1 *	8/2011	Melone	A01D 34/64 29/428
2013/0074467	A1 *	3/2013	Zwieg	A01D 34/64 56/17.1

* cited by examiner

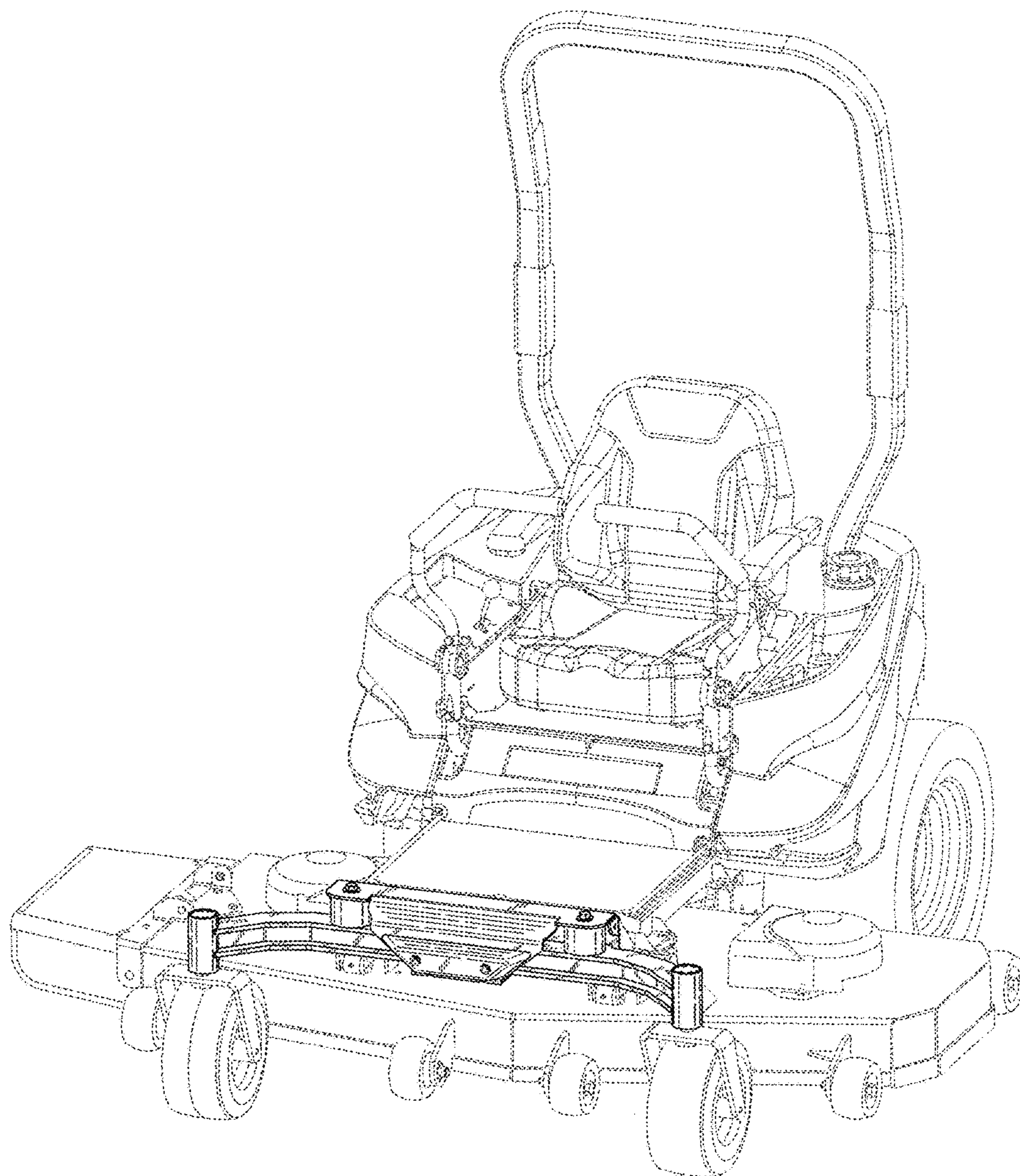


FIG. 1

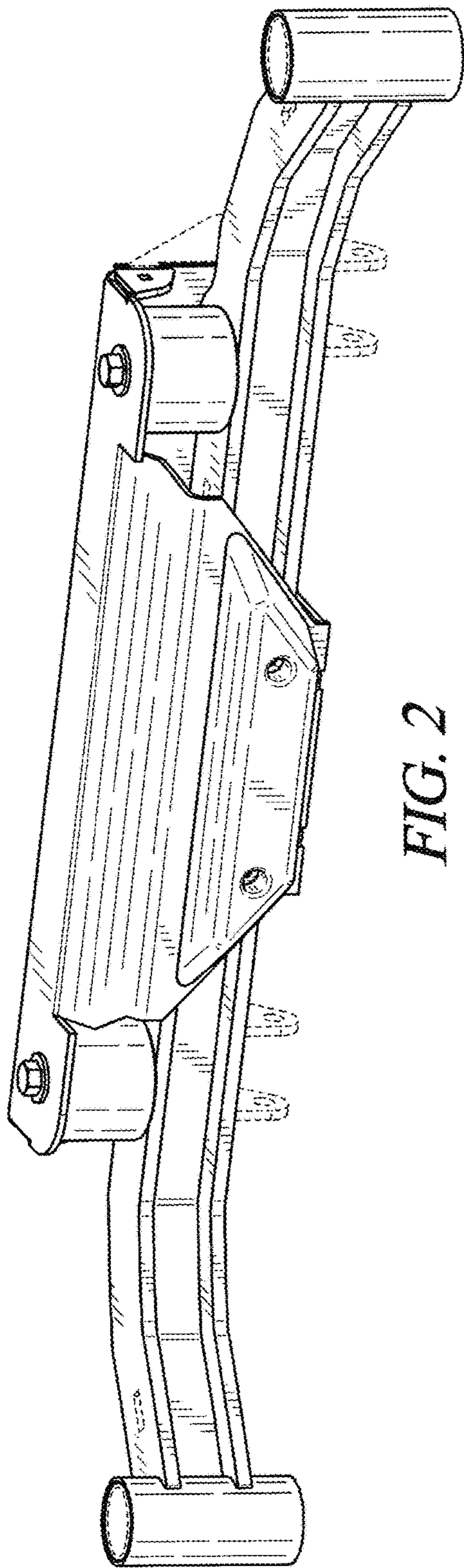


FIG. 2

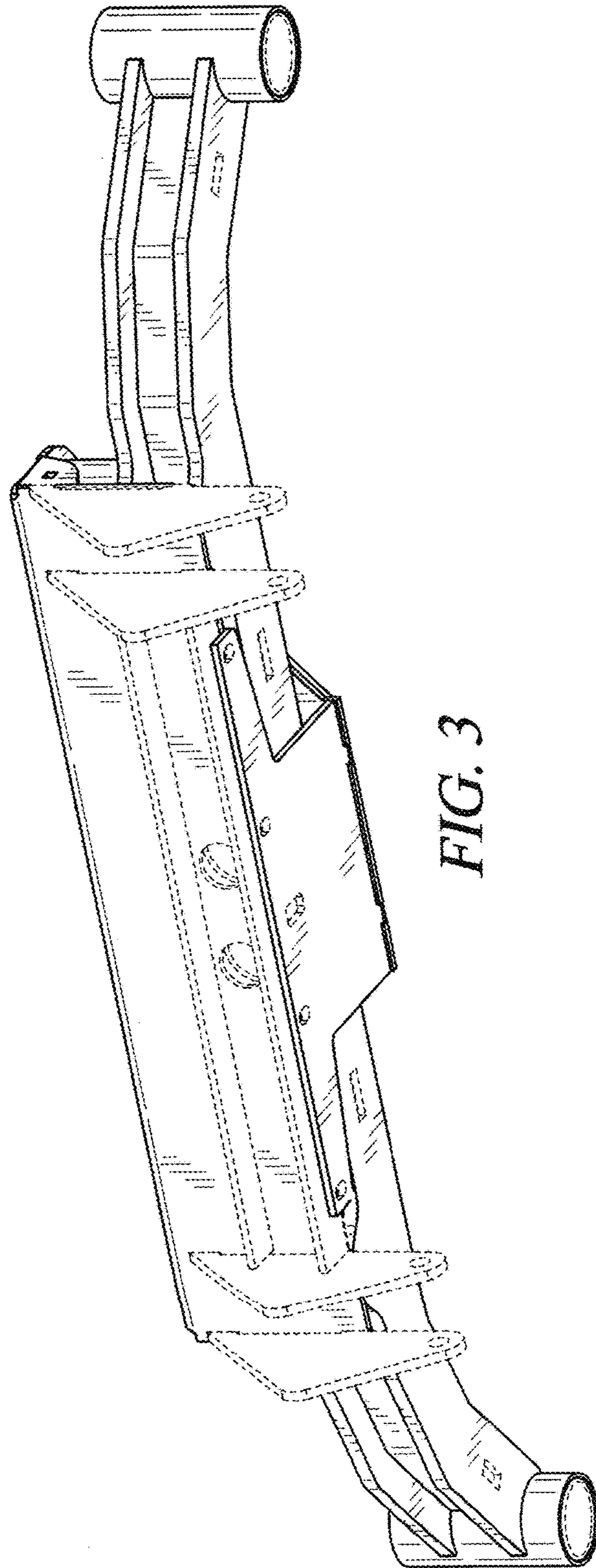
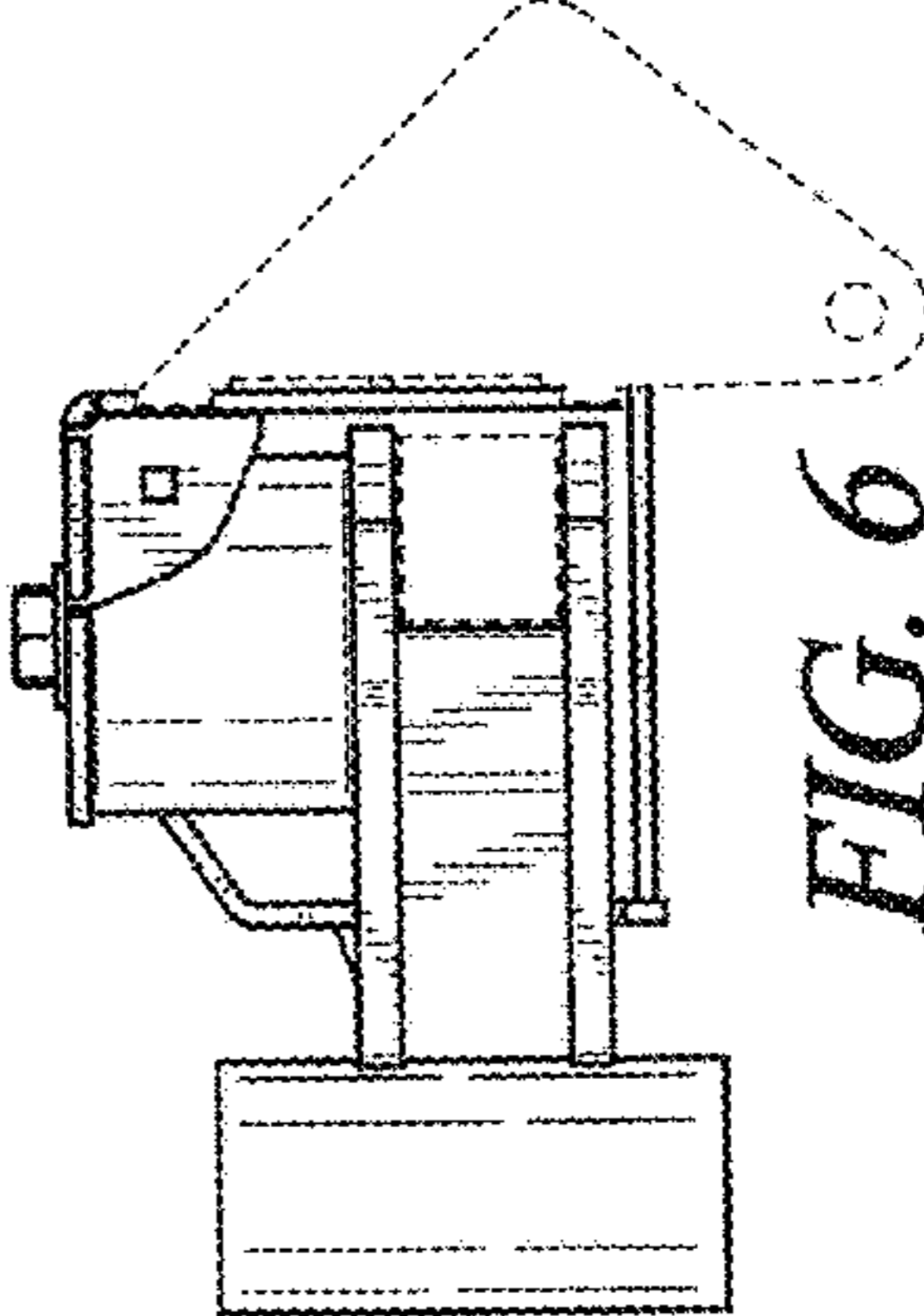
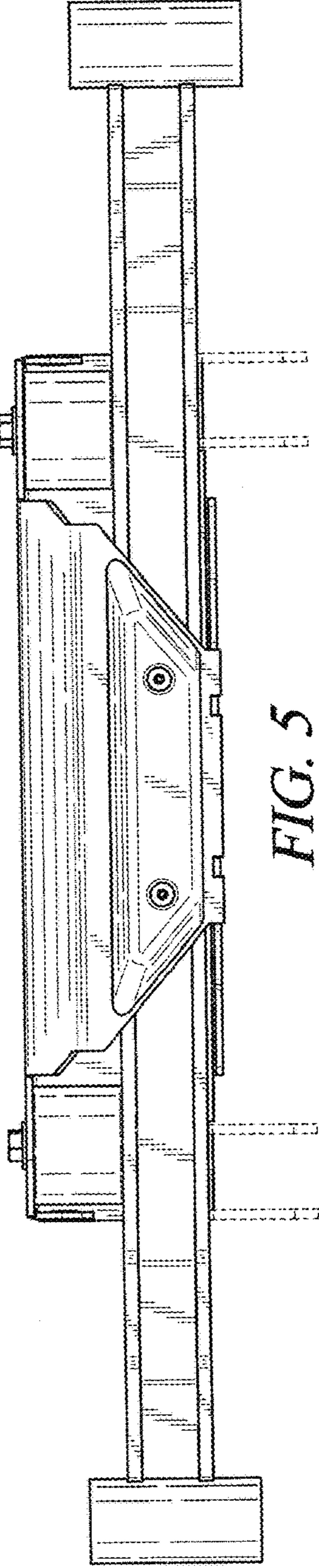
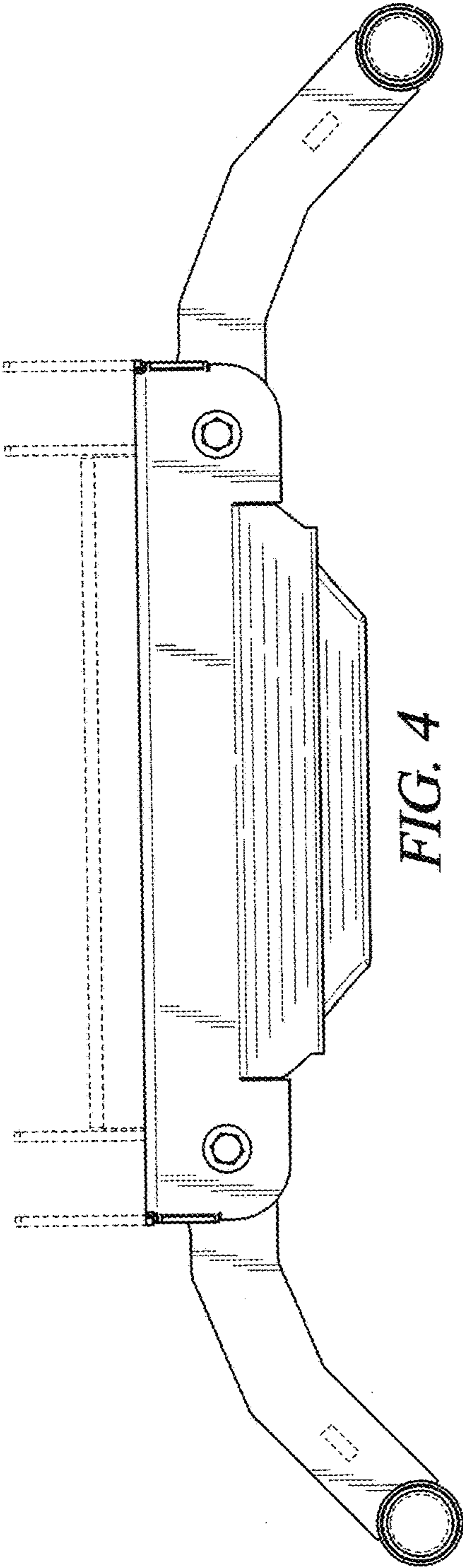


FIG. 3



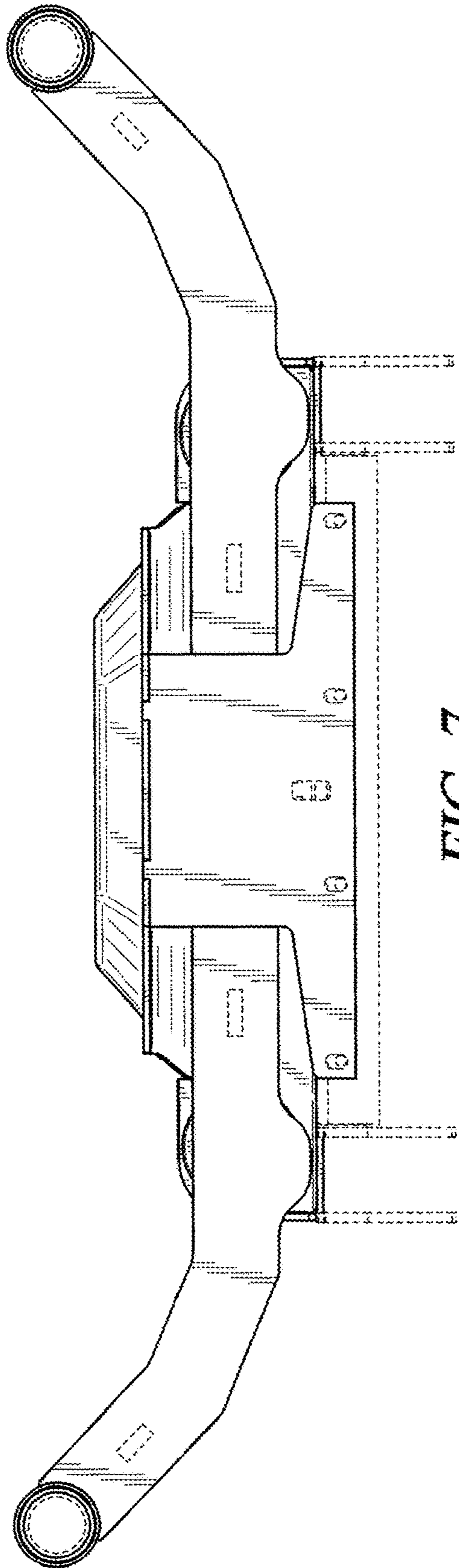


FIG. 7

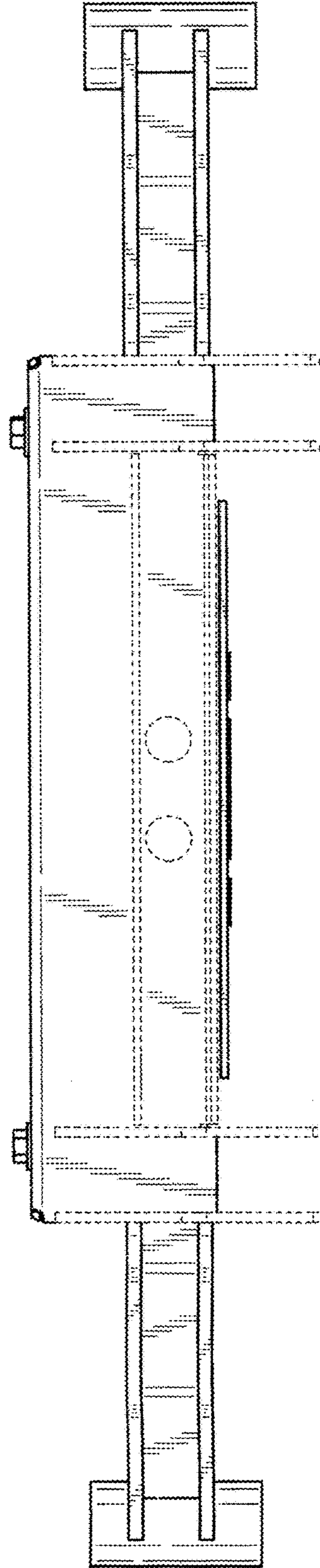


FIG. 8