



US00D830417S

(12) **United States Design Patent** (10) **Patent No.:** **US D830,417 S**
Sekula et al. (45) **Date of Patent:** **** Oct. 9, 2018**

(54) **PORTABLE AIR PUMP**

(71) Applicant: **Airpressure Bodyforming GmbH**,
Berchtesgaden (DE)
(72) Inventors: **Oliver Sekula**, Berchtesgaden (DE);
Hubert Greinwalder, München (DE);
Gert Rechenmacher, Kapfenburg (AT)

(73) Assignee: **Airpressure Bodyforming GmbH**,
Berchtesgaden (DE)

(**) Term: **15 Years**

(21) Appl. No.: **29/599,718**

(22) Filed: **Apr. 6, 2017**

(51) **LOC (11) Cl.** **15-02**

(52) **U.S. Cl.**
USPC **D15/7**

(58) **Field of Classification Search**
USPC D15/7-9; D23/231, 232, 225; 417/60,
417/235, 265, 321, 355, 358, 363, 359,
(Continued)

(56) **References Cited**

U.S. PATENT DOCUMENTS

D227,934 S * 7/1973 Campbell D15/7
D558,236 S * 12/2007 Wang D15/8
(Continued)

FOREIGN PATENT DOCUMENTS

EM 002176305-0001 1/2013
EM 002176305-0002 1/2013

Primary Examiner — Ralf Seifert

(74) *Attorney, Agent, or Firm* — Thomas B. Ryan; Harter
Secrest & Emery LLP

(57) **CLAIM**

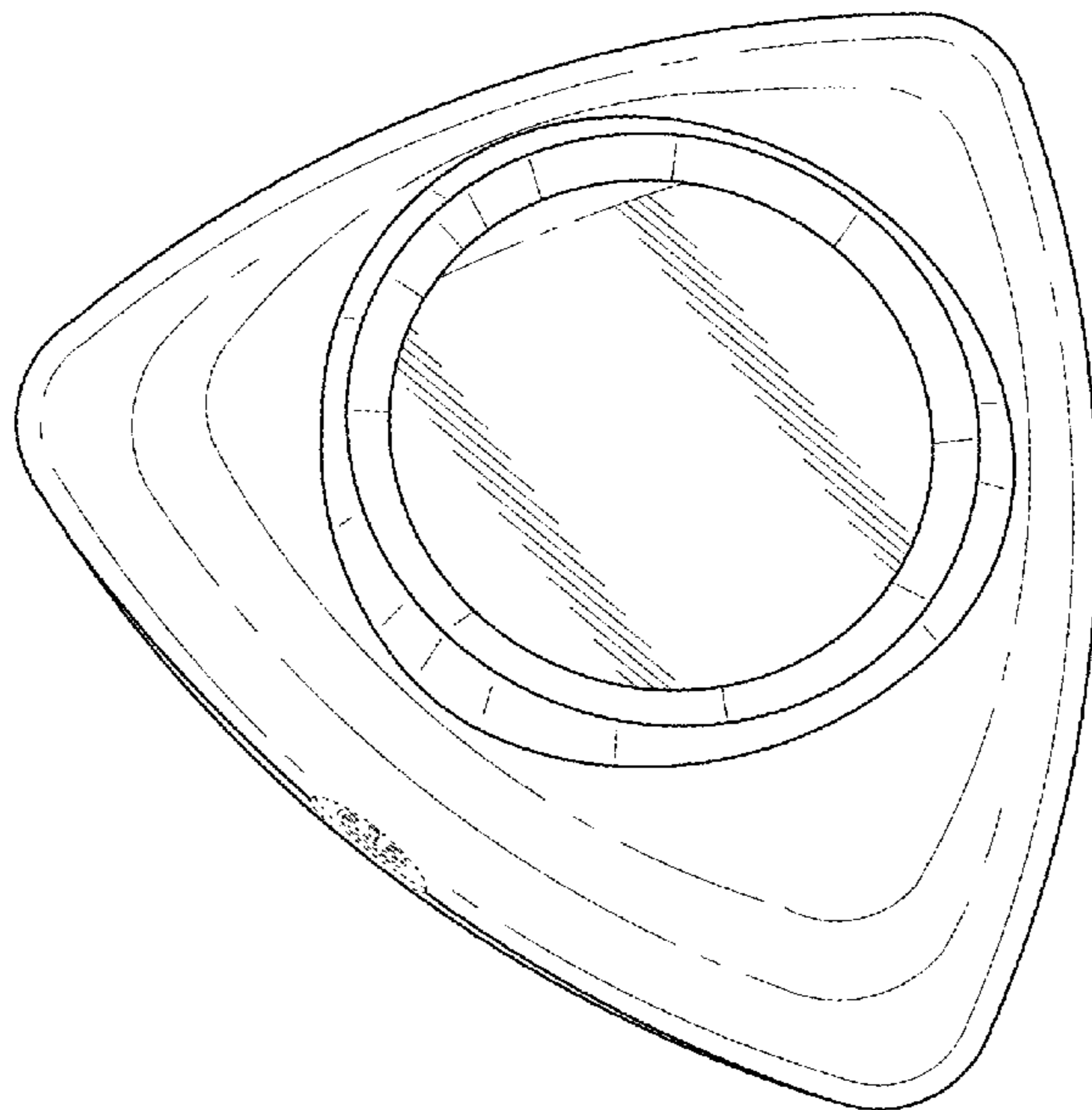
The ornamental design for a portable air pump, substantially
as shown and described.

DESCRIPTION

FIG. 1 is a top and rear perspective view of the portable air
pump showing our new design;
FIG. 2 is a back and right side perspective view of the
portable air pump in FIG. 1;
FIG. 3 is a top view thereof;
FIG. 4 is a bottom view thereof;
FIG. 5 is a front view thereof;
FIG. 6 is a rear view thereof;
FIG. 7 is a left side view thereof;
FIG. 8 is a right side view thereof;
FIG. 9 is a top and rear perspective view of the portable air
pump showing a second embodiment of our new design;
FIG. 10 is a back and right side perspective view of the
portable air pump in FIG. 9;
FIG. 11 is a top view of FIG. 9;
FIG. 12 is a bottom view of FIG. 9;
FIG. 13 is a front view of FIG. 9;
FIG. 14 is a rear view of FIG. 9;
FIG. 15 is a left side view of FIG. 9;
FIG. 16 is a right side view of FIG. 9;
FIG. 17 is a top and rear perspective view of the portable air
pump showing a third embodiment of our new design;
FIG. 18 is a back and right side perspective view of the
portable air pump in FIG. 17;
FIG. 19 is a top view of FIG. 17;
FIG. 20 is a bottom view of FIG. 17;
FIG. 21 is a front view of FIG. 17;
FIG. 22 is a rear view of FIG. 17;
FIG. 23 is a left side view of FIG. 17; and,
FIG. 24 is a right side view of FIG. 17.

The broken line illustration of environmental structures in
the drawings are not part of the design sought to be patented.

1 Claim, 12 Drawing Sheets



(58) **Field of Classification Search**

USPC 417/410.1, 415-416, 405, 900, 269, 539;
60/408, 412; 184/26-37; 415/140-147;
123/495, 509; 137/565.34

CPC F02M 37/04; F02M 37/14; F04B 53/92;
F04B 1/005; F04D 13/06; F04D 29/22;
F04D 29/046; F04D 29/2266

See application file for complete search history.

(56) **References Cited**

U.S. PATENT DOCUMENTS

D559,271 S *	1/2008	Hsiao	D15/7
D589,062 S *	3/2009	Wang	D15/8
D725,678 S	3/2015	Sekula et al.	
D744,003 S *	11/2015	Ton	D15/7

* cited by examiner

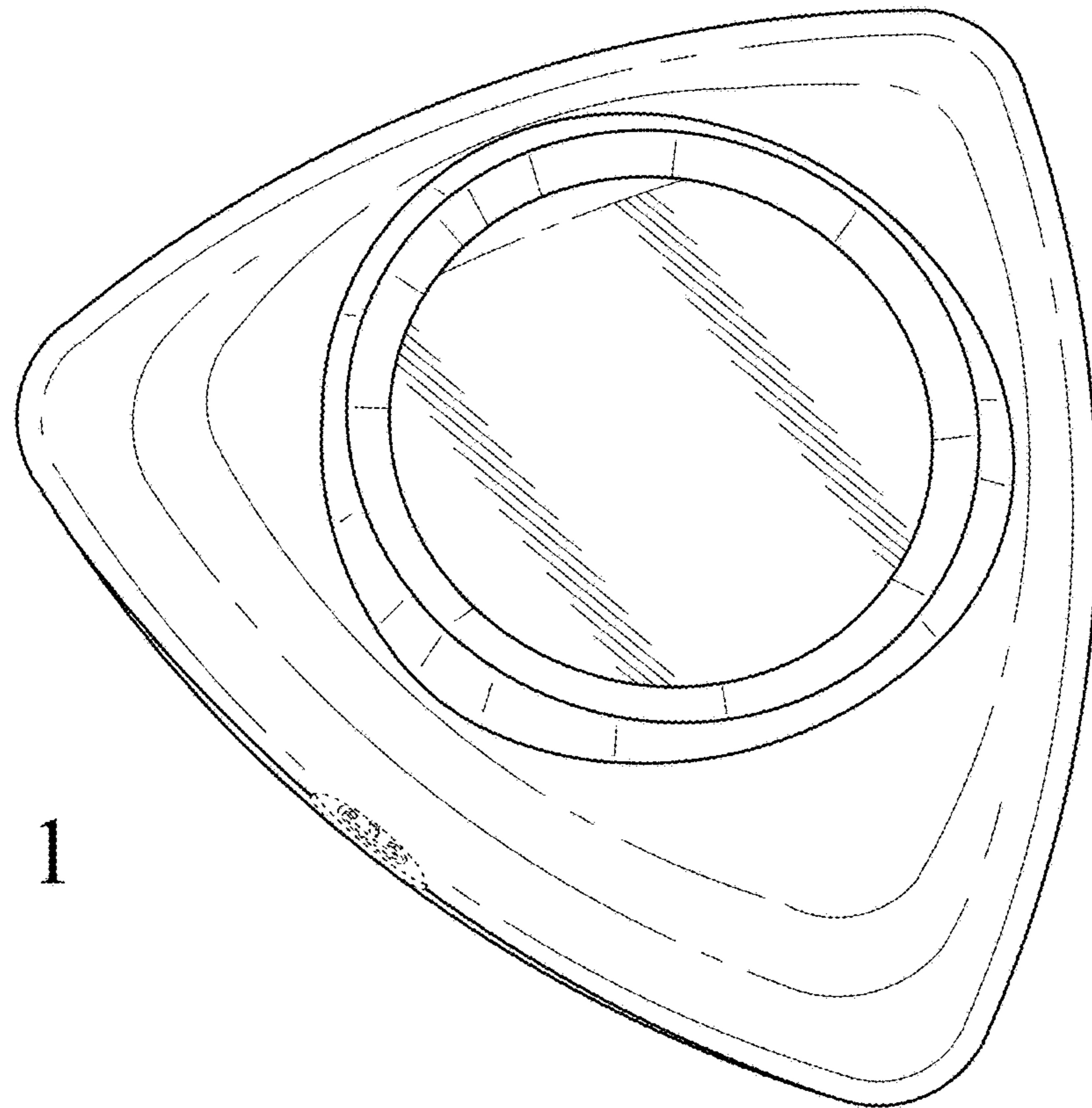


FIG. 1

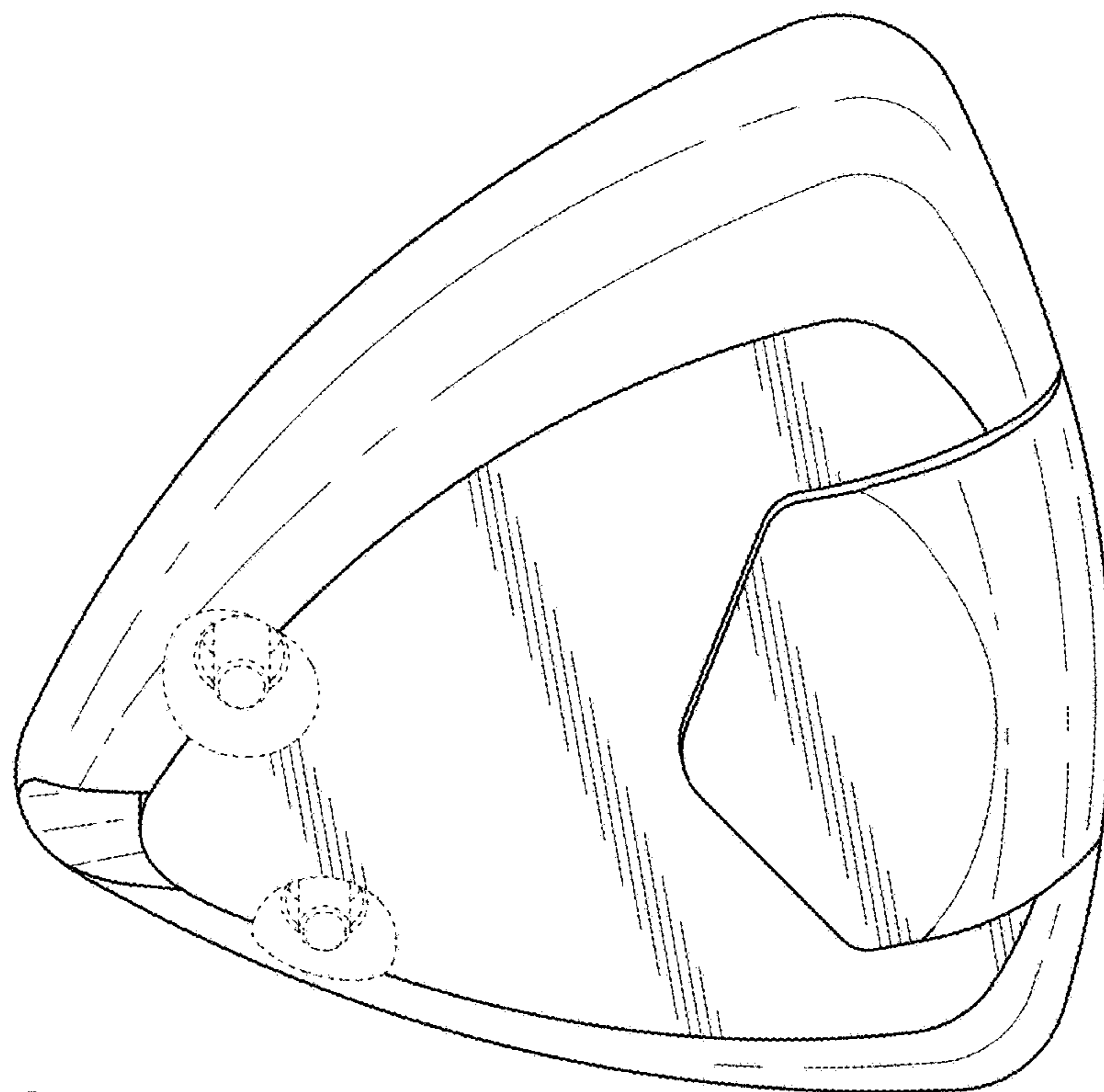


FIG. 2

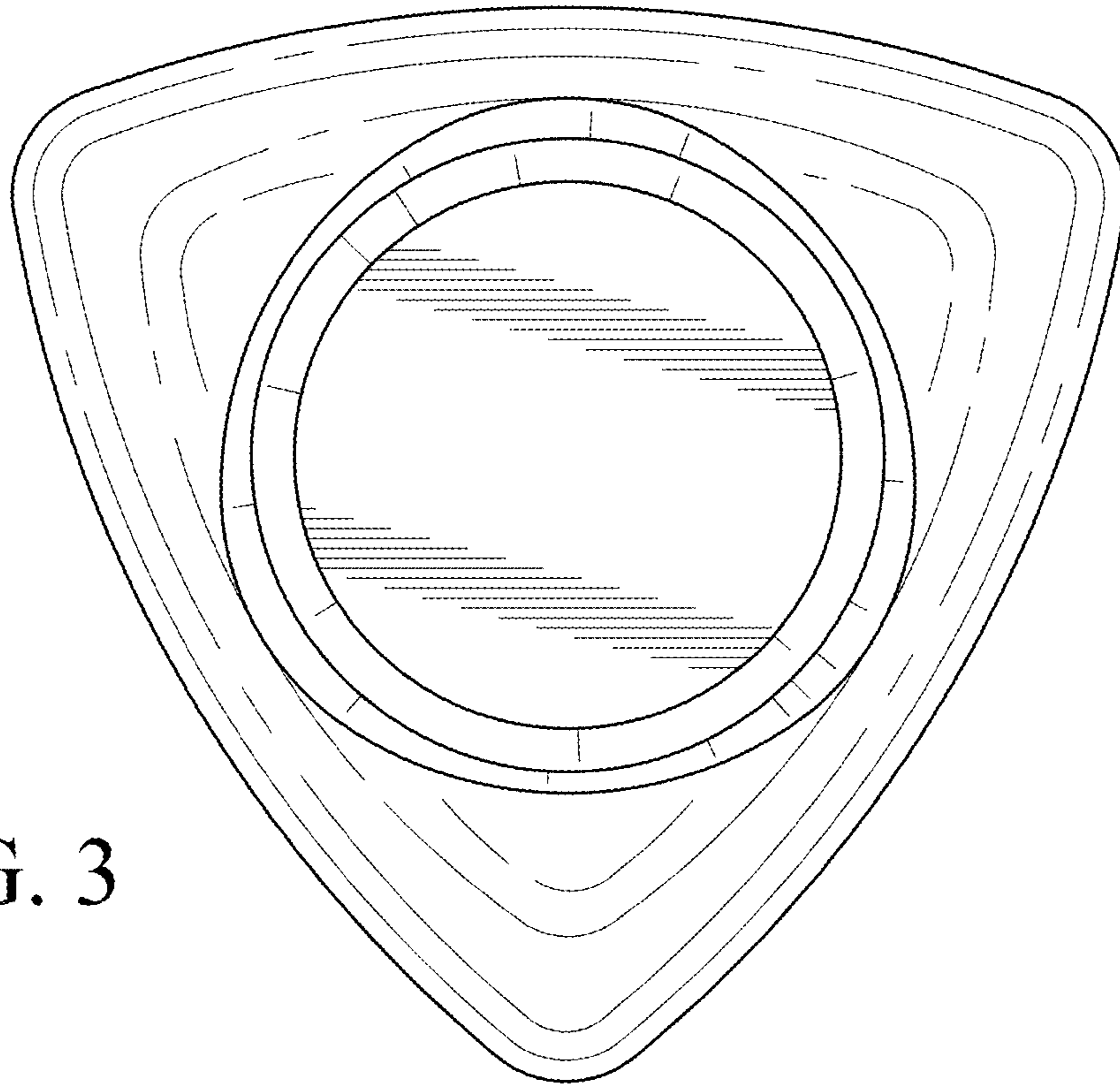


FIG. 3

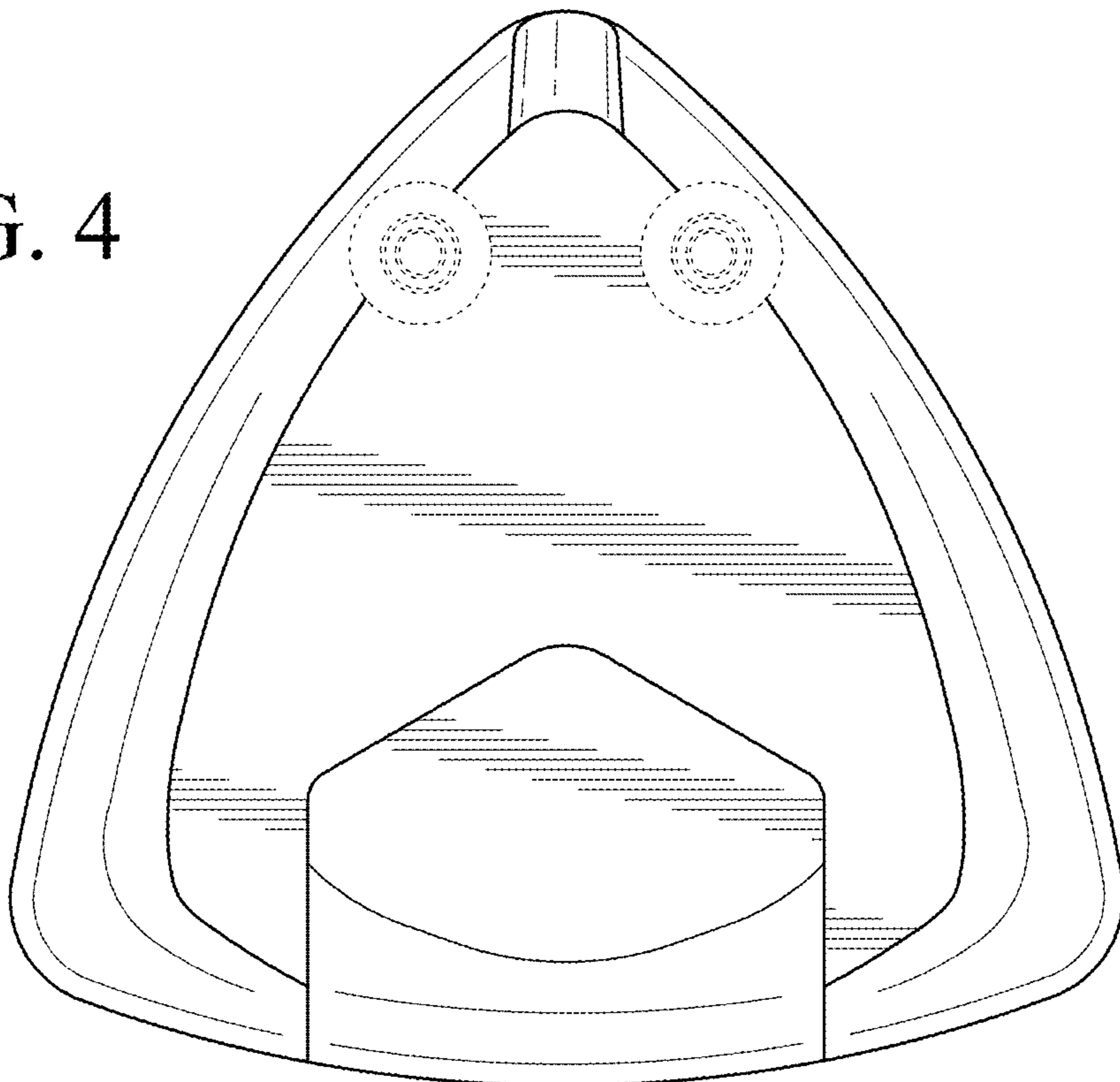


FIG. 4

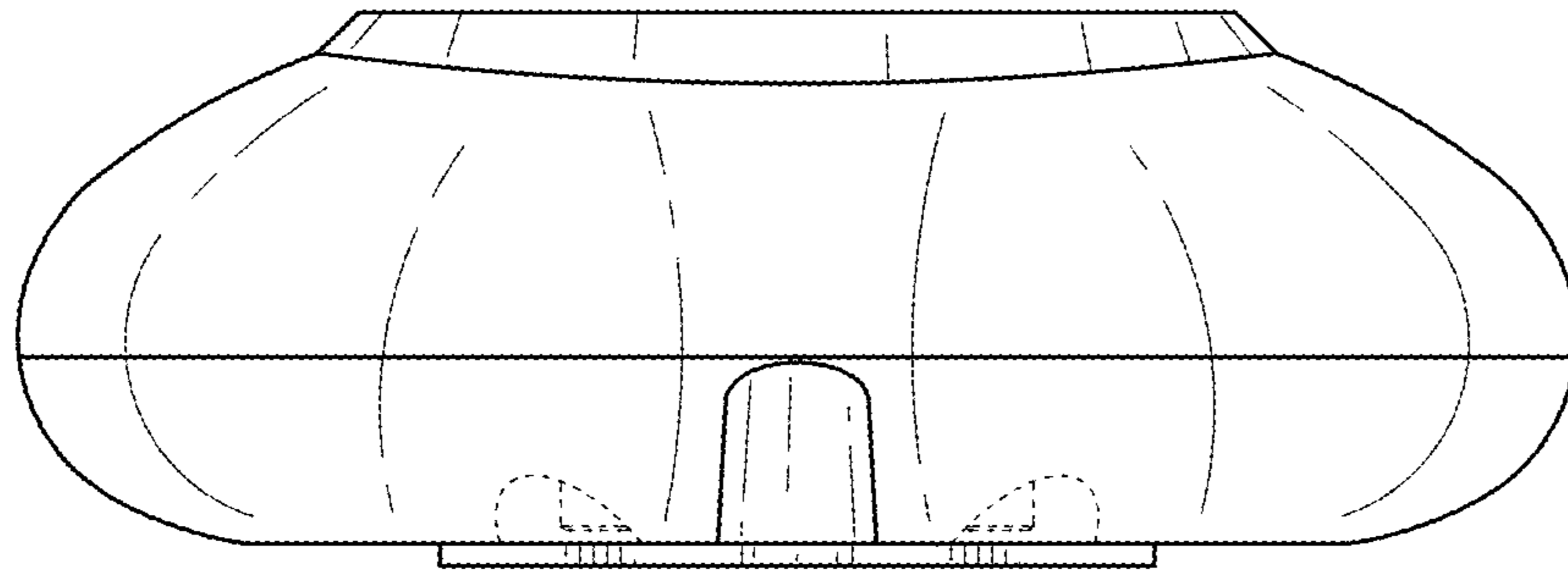


FIG. 5

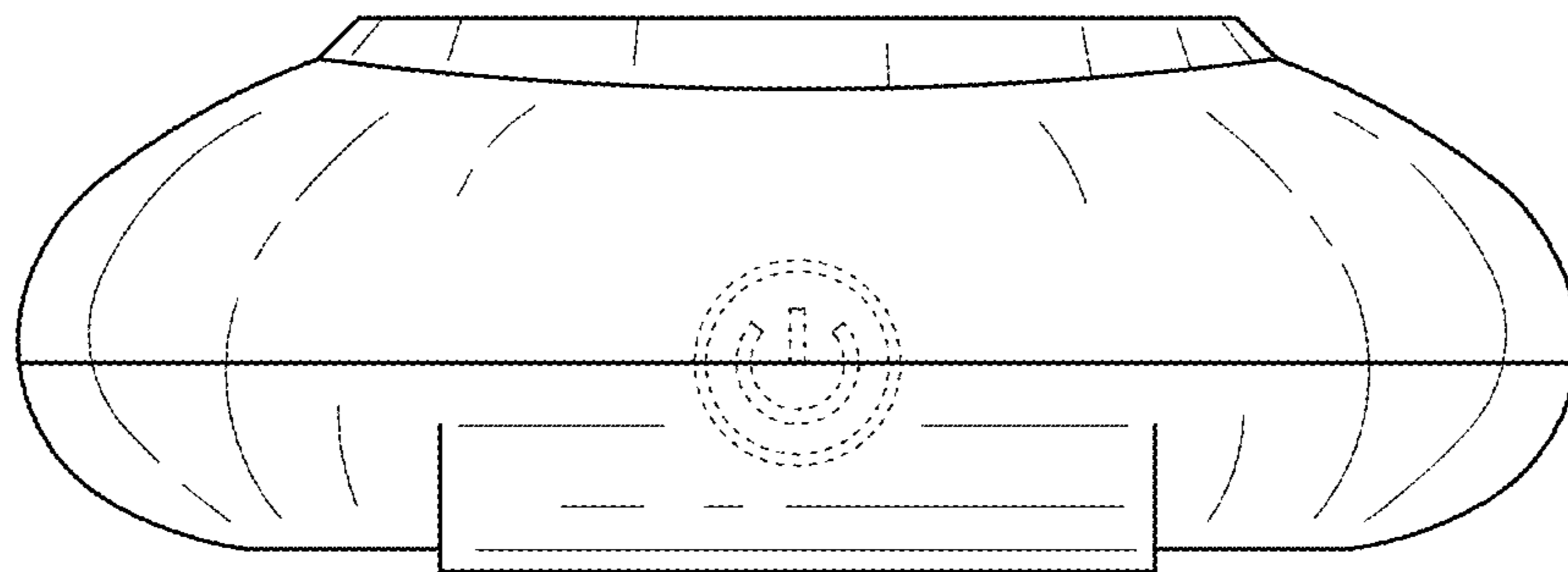


FIG. 6

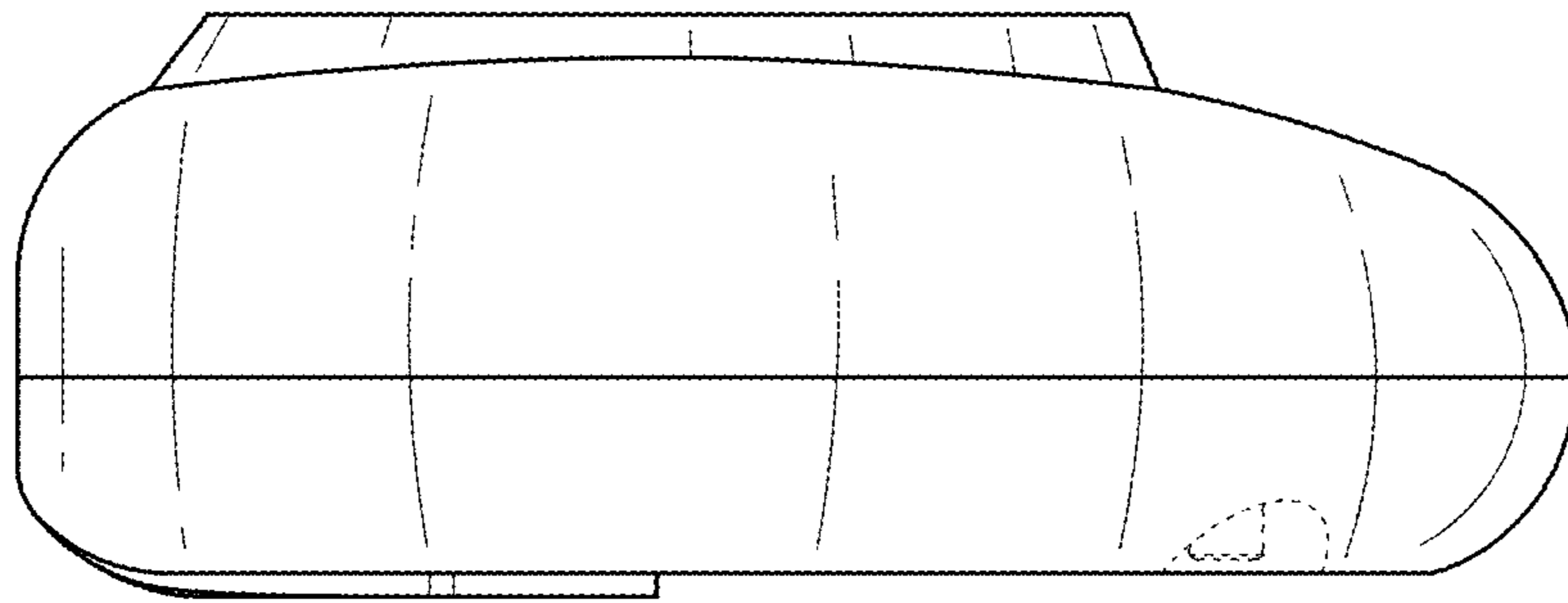


FIG. 7

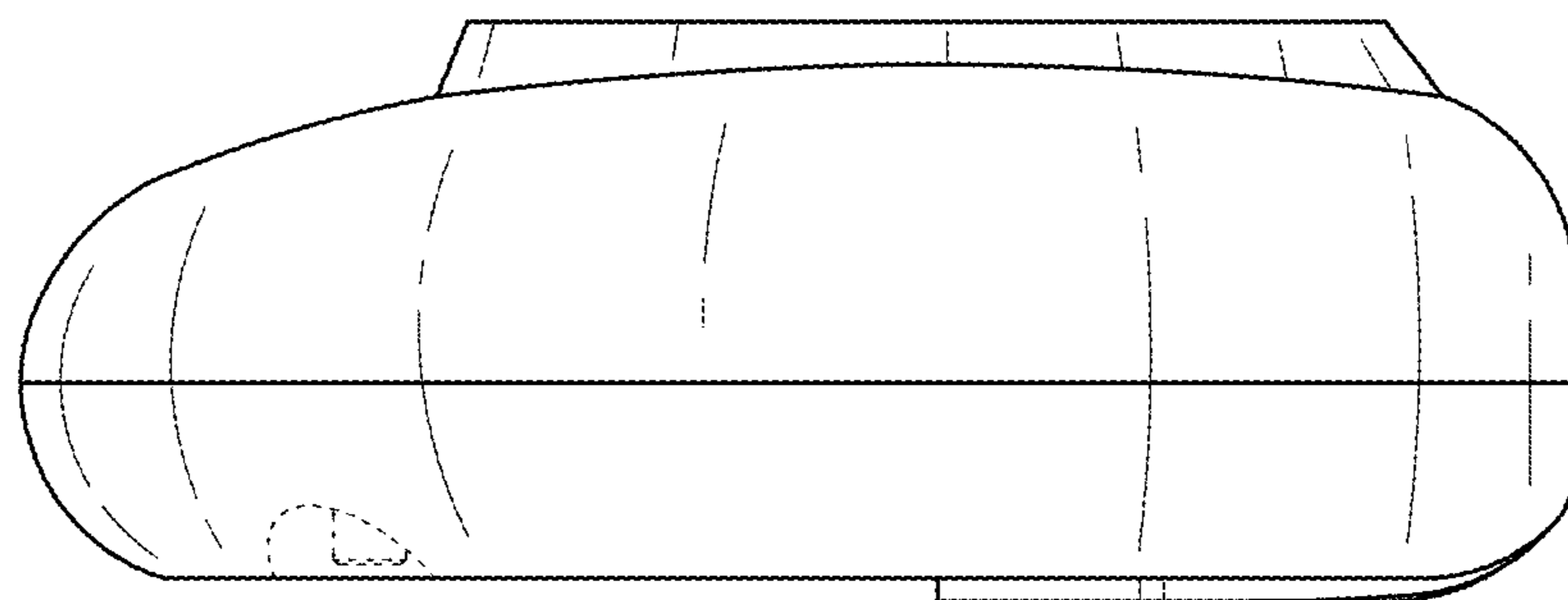


FIG. 8

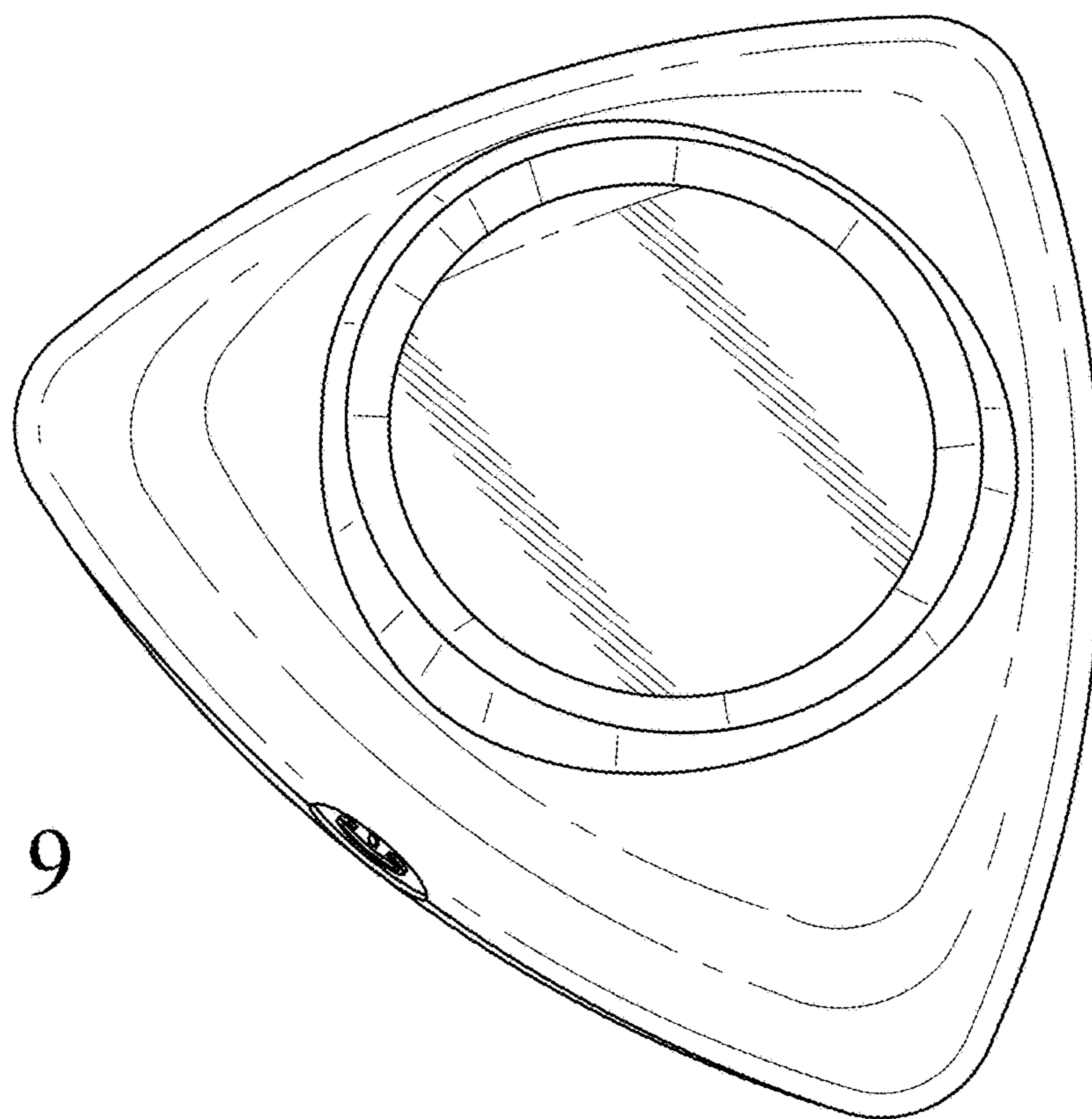


FIG. 9

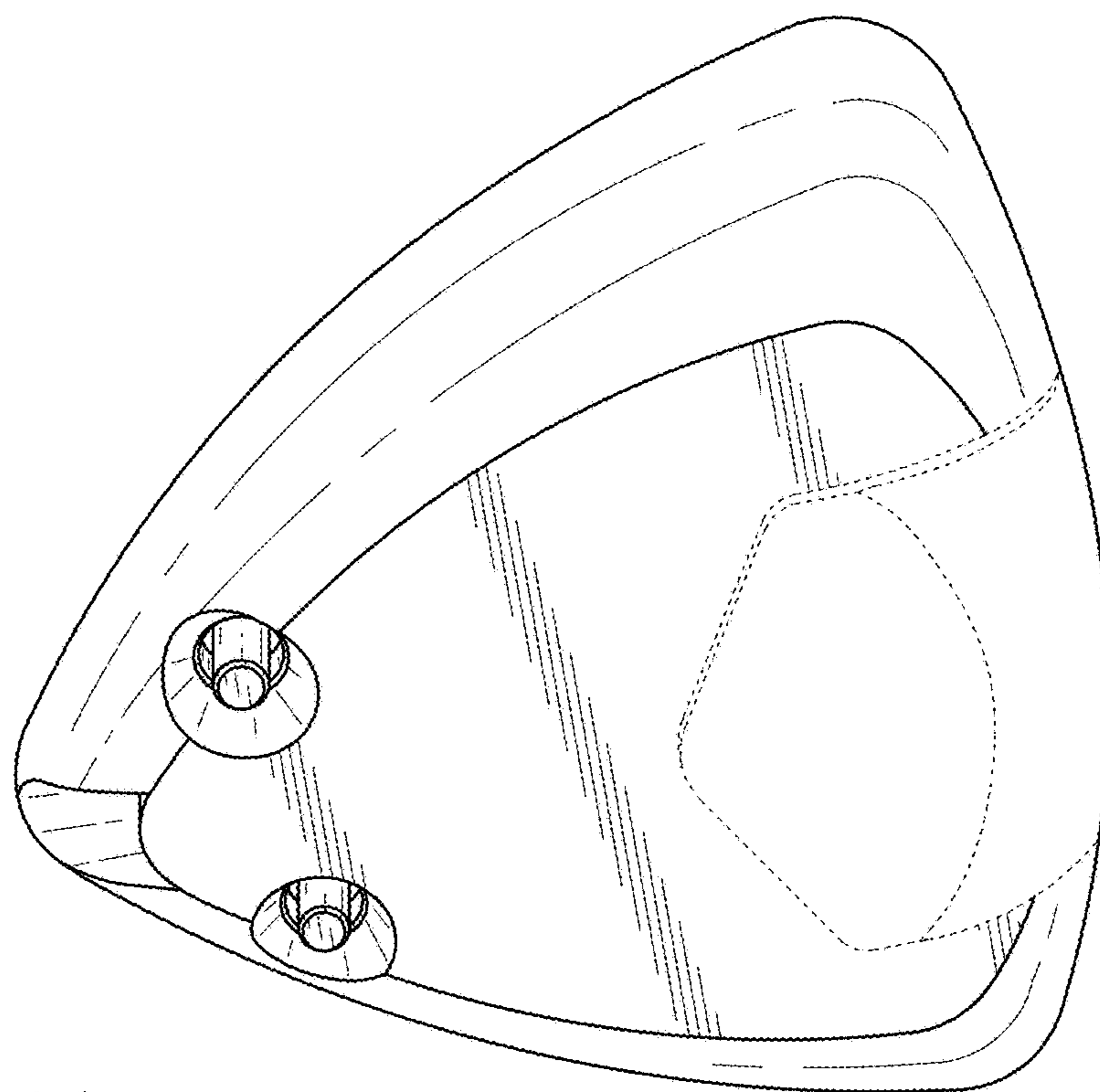


FIG. 10

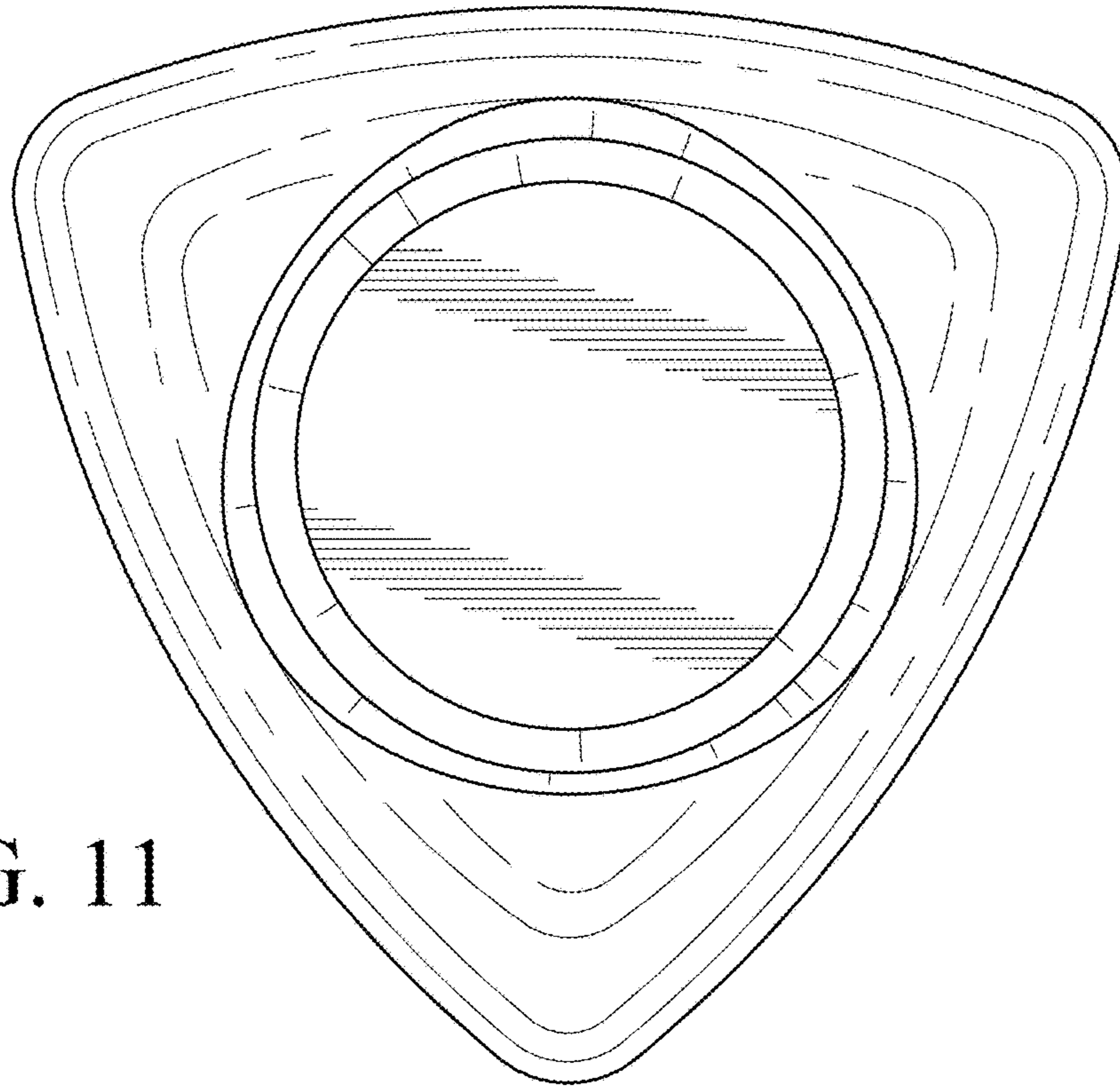


FIG. 11

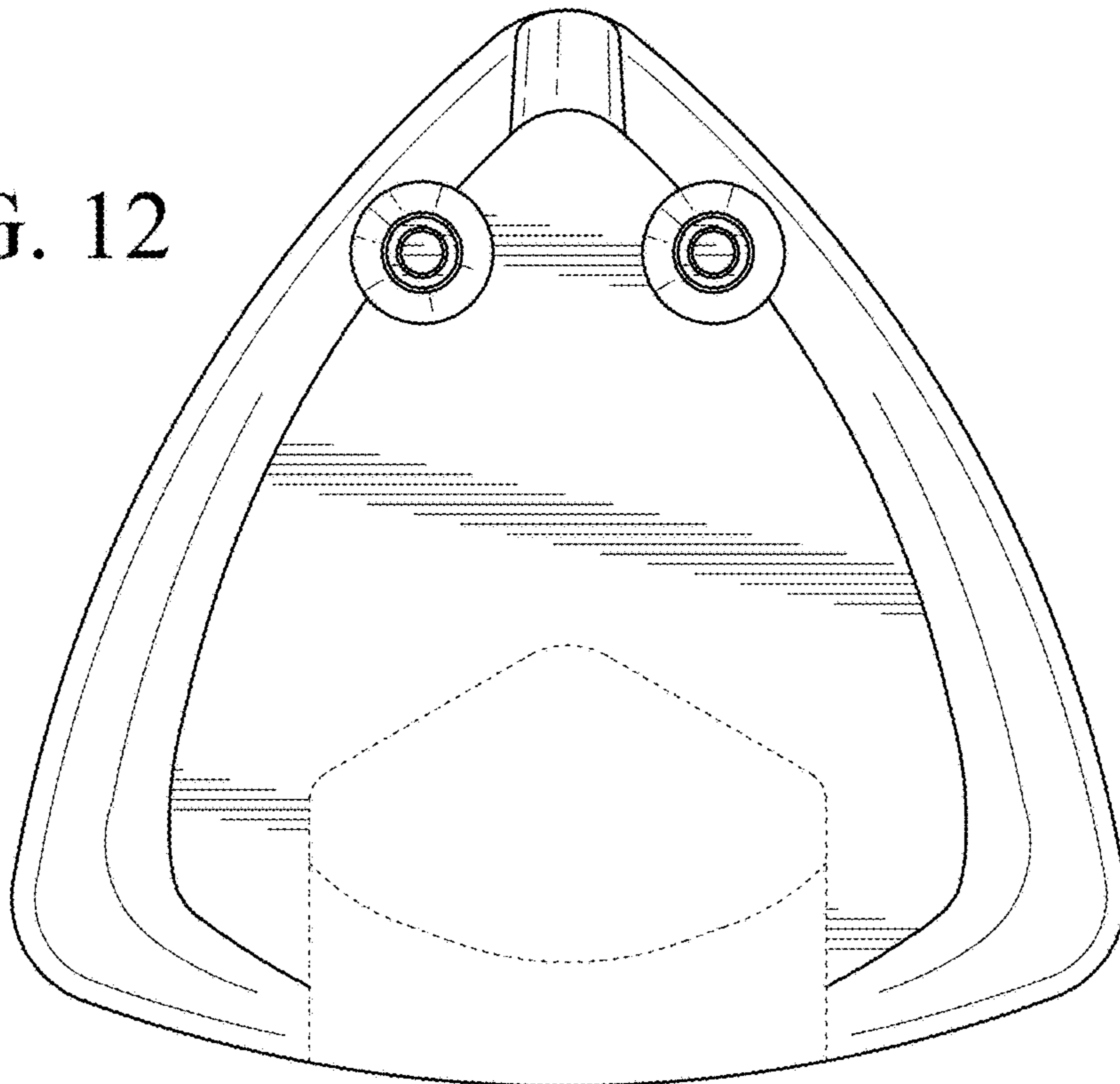


FIG. 12

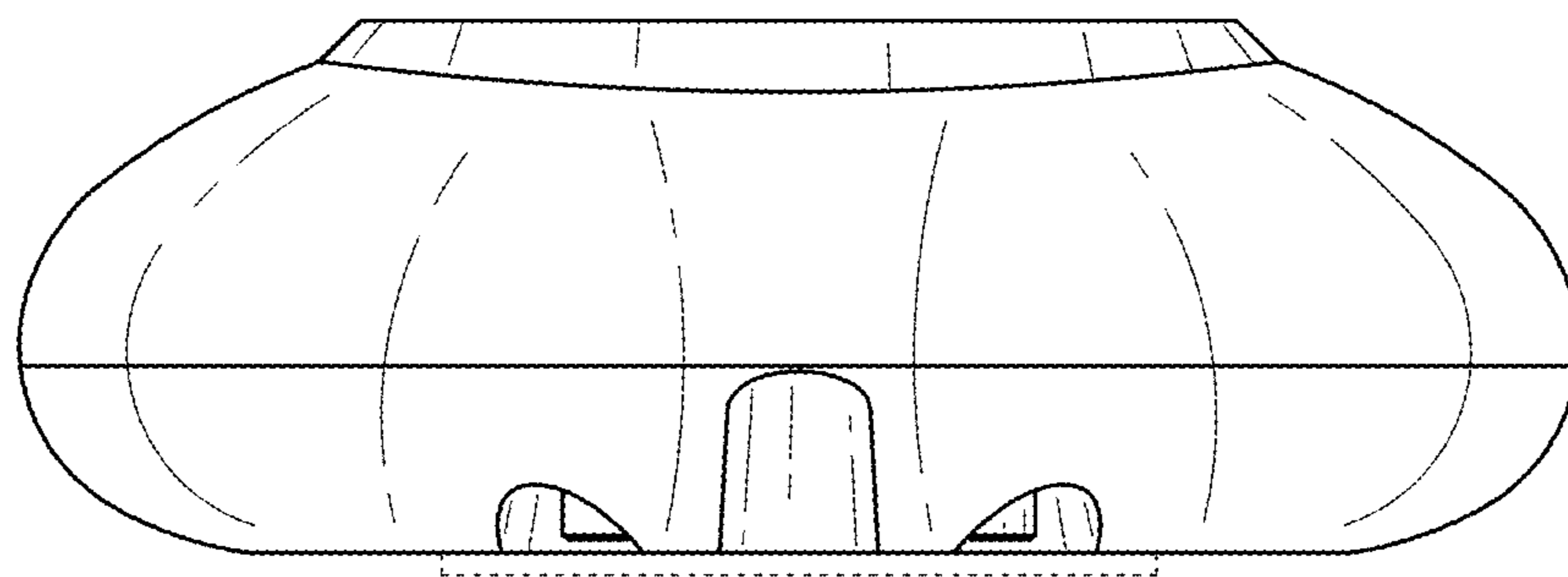


FIG. 13

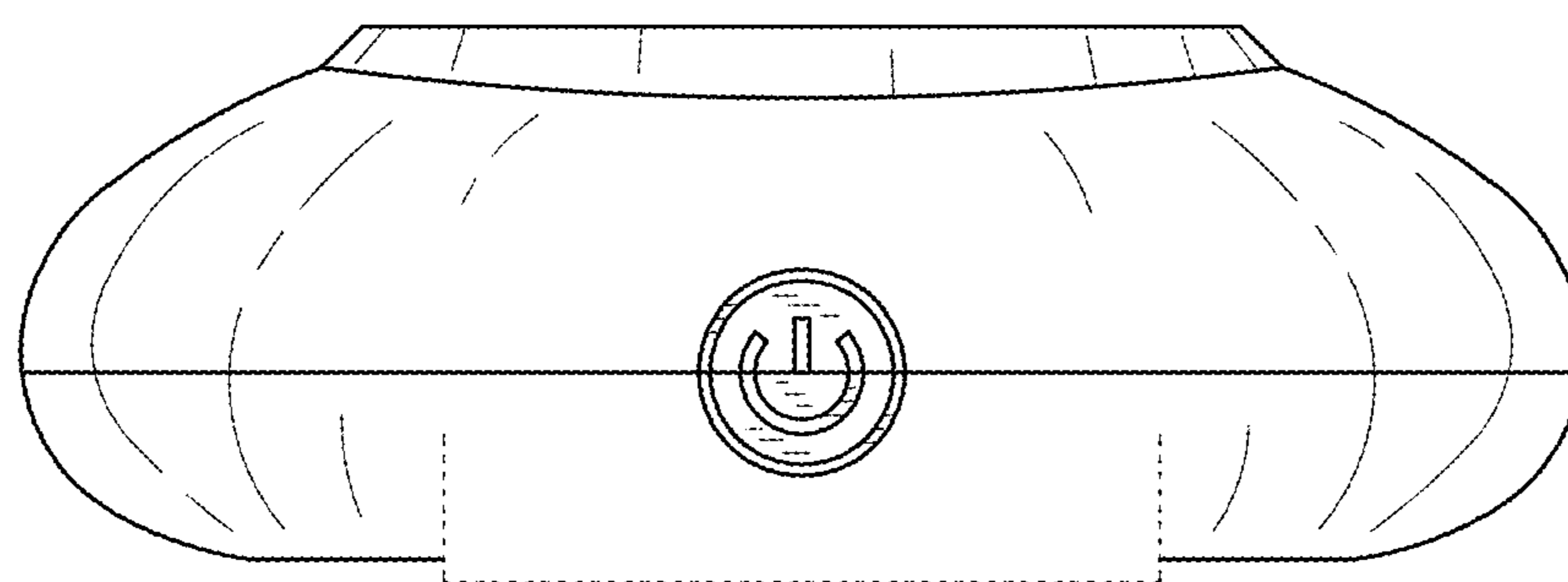


FIG. 14

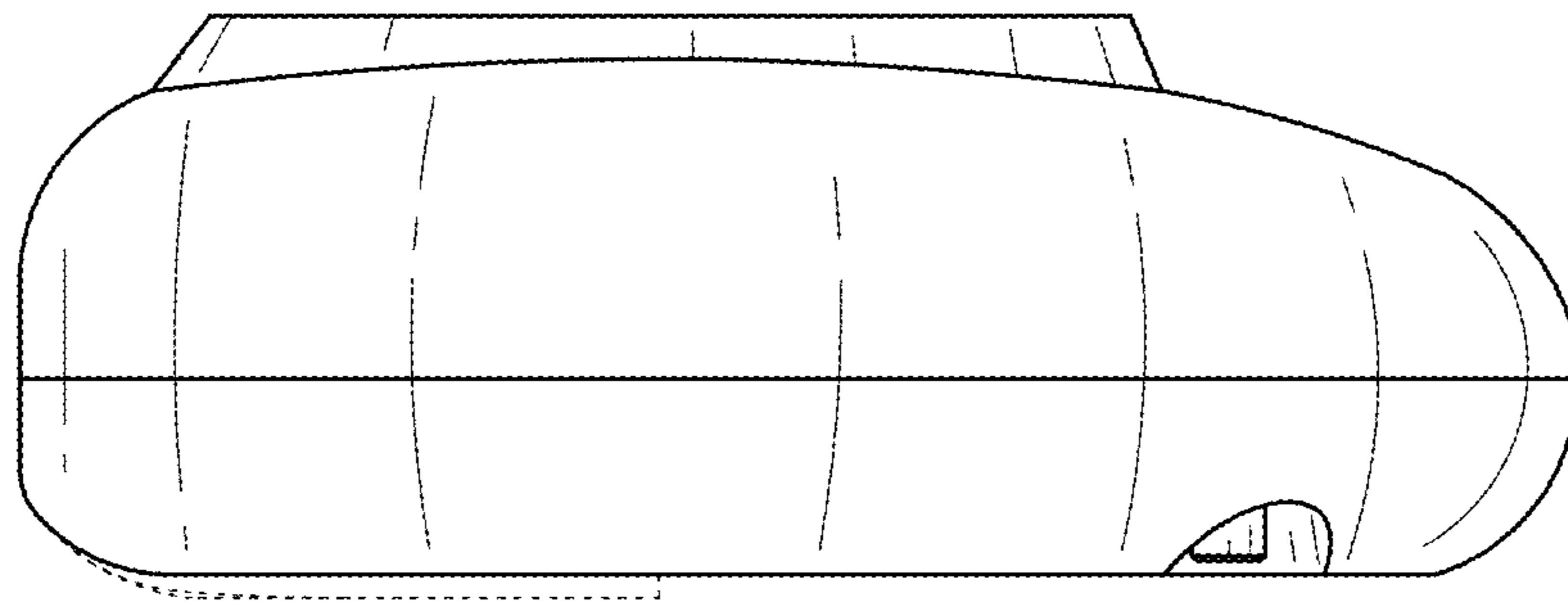


FIG. 15

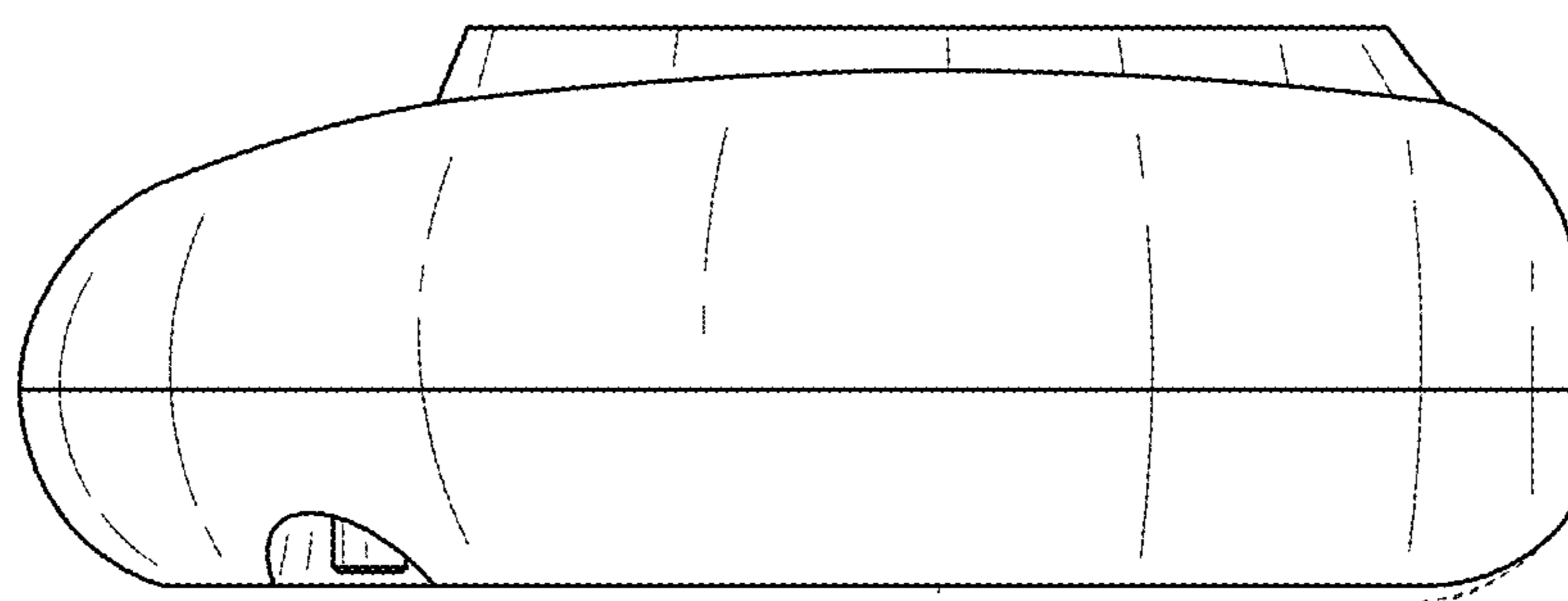


FIG. 16

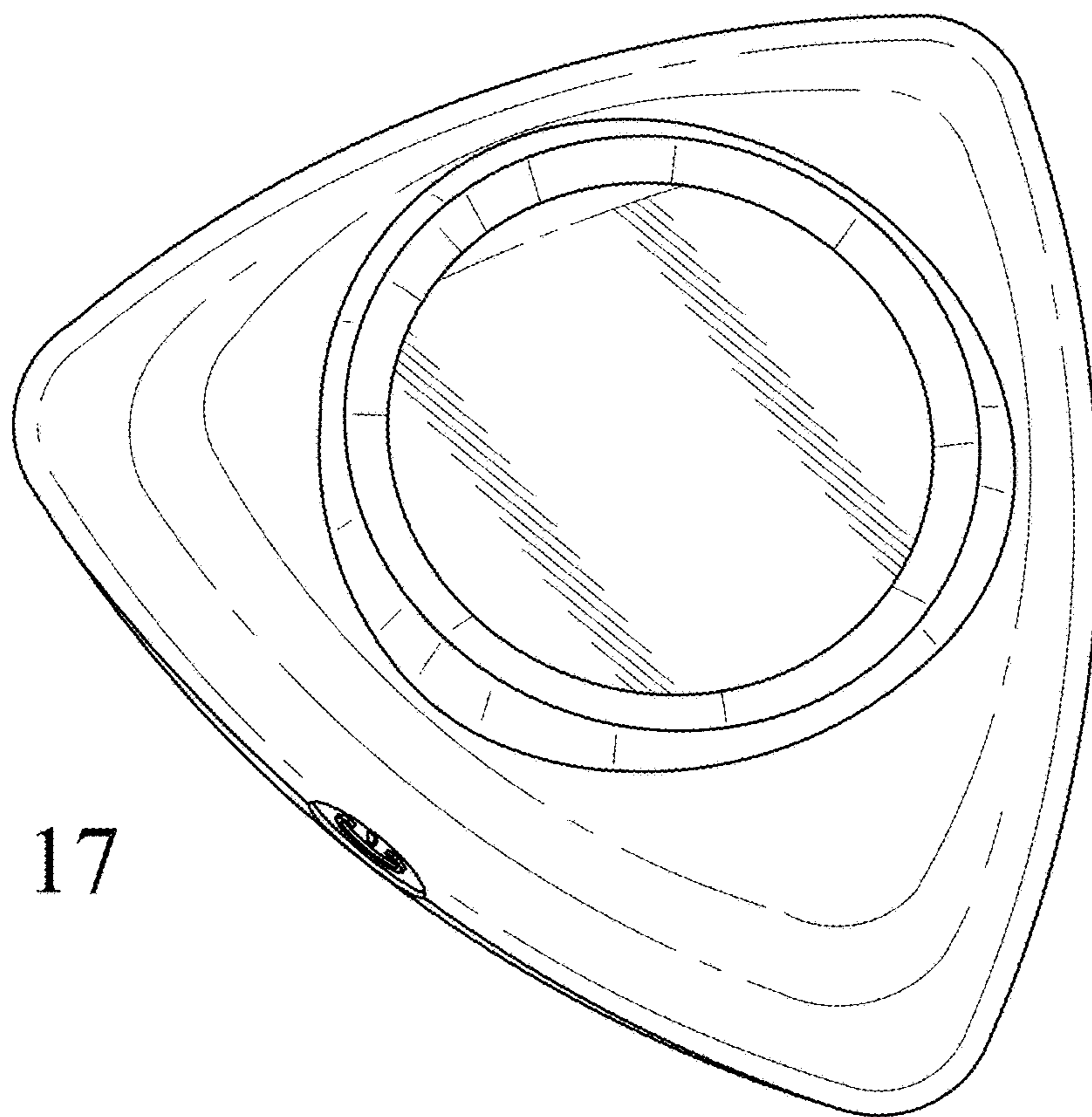


FIG. 17

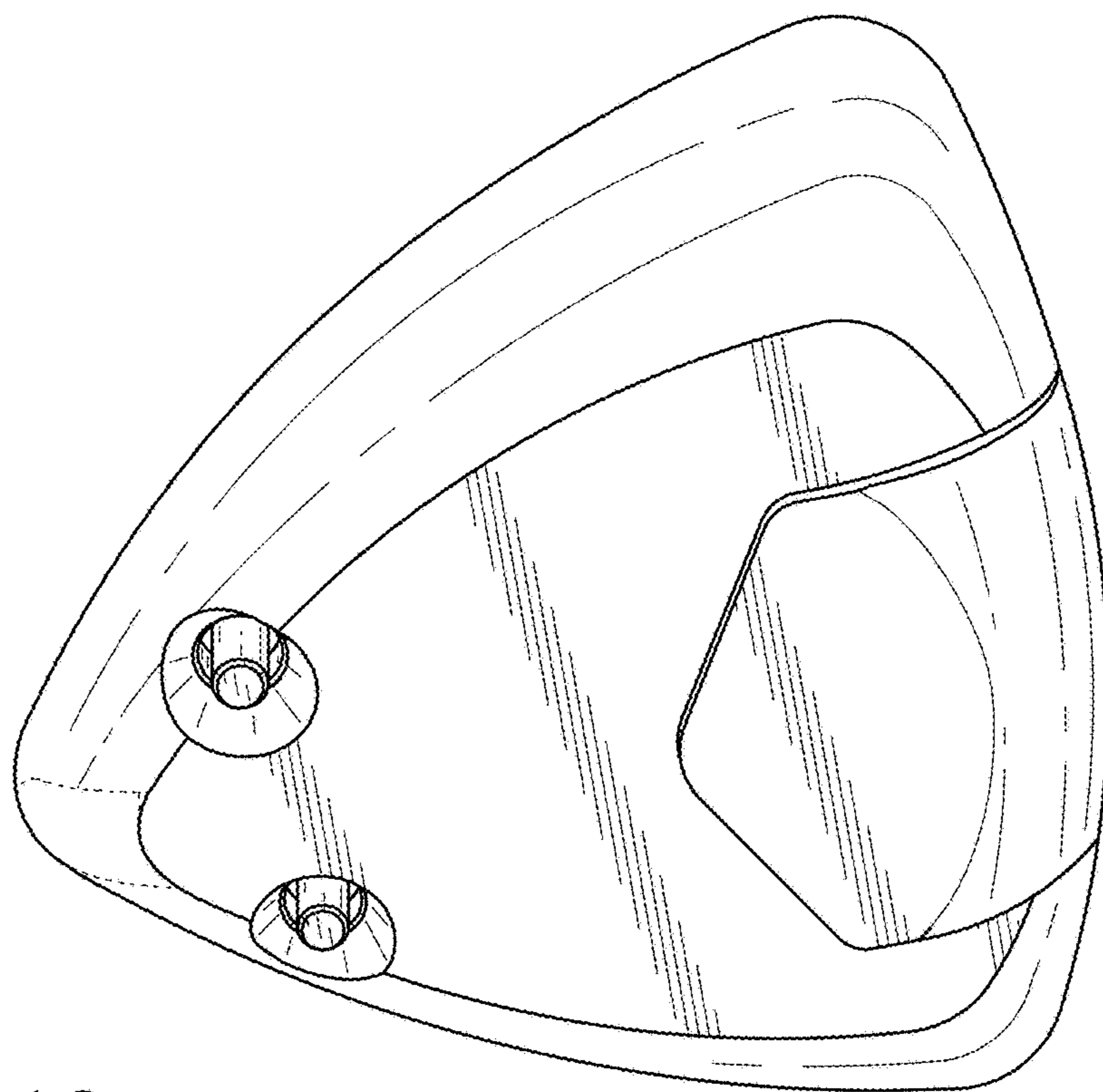


FIG. 18

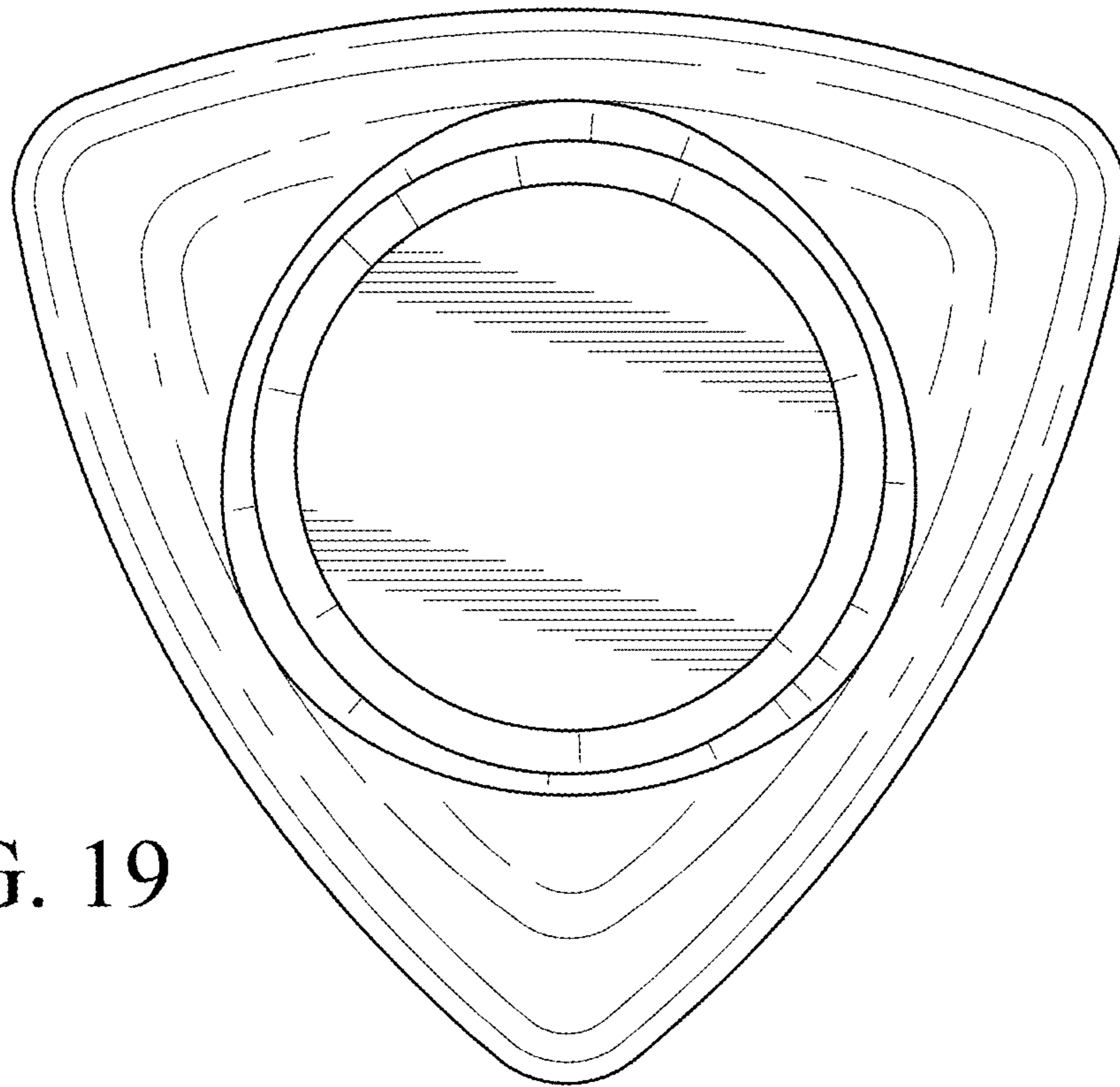


FIG. 19

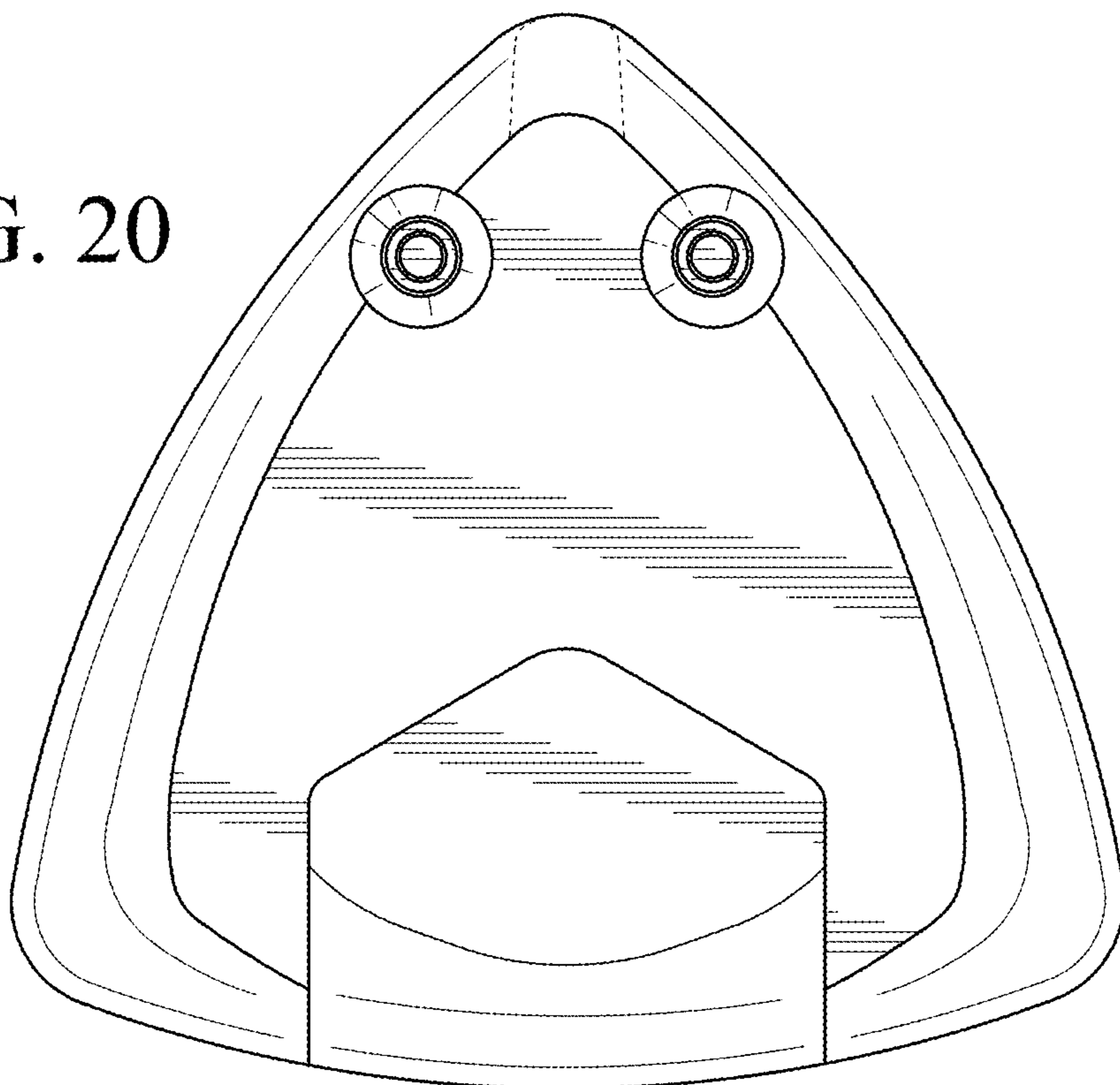


FIG. 20

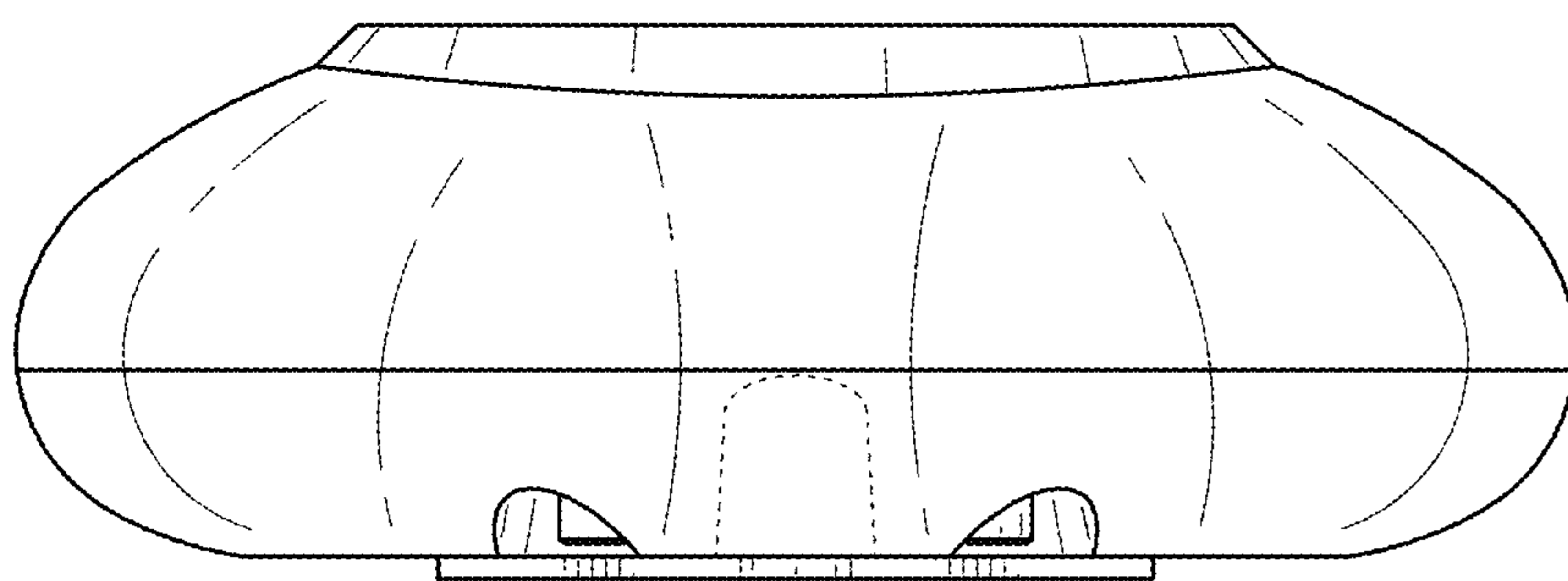


FIG. 21

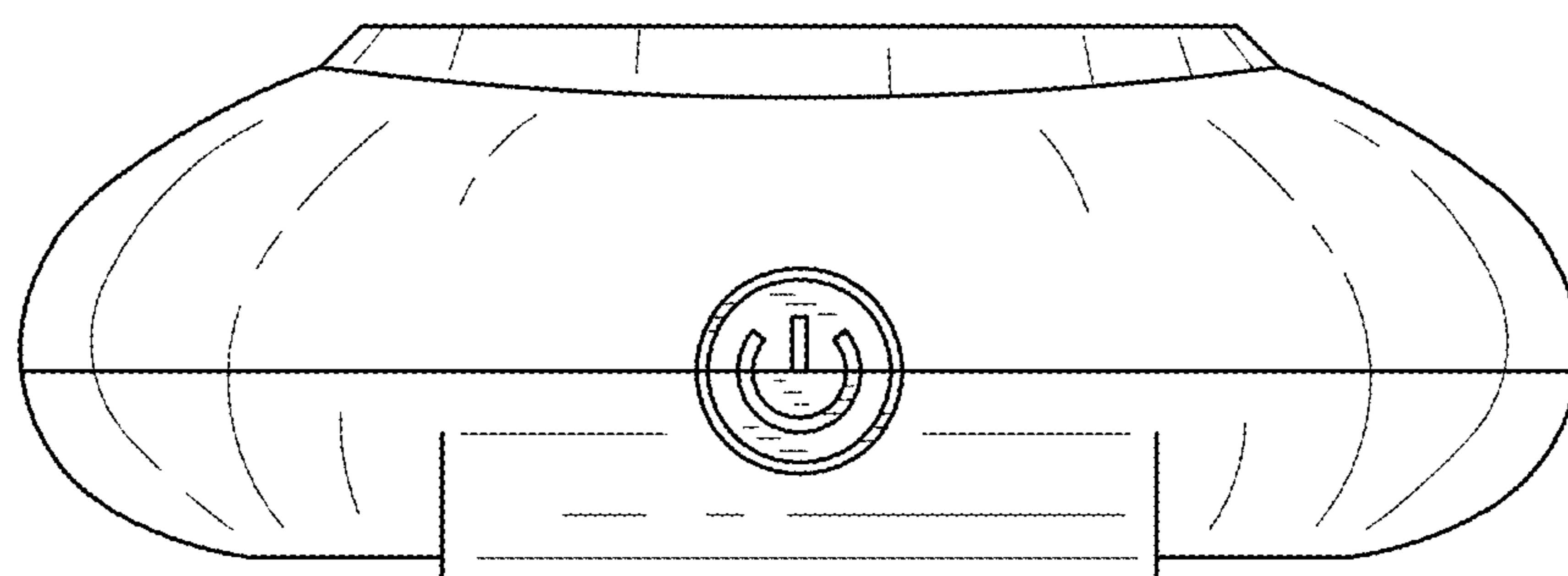


FIG. 22

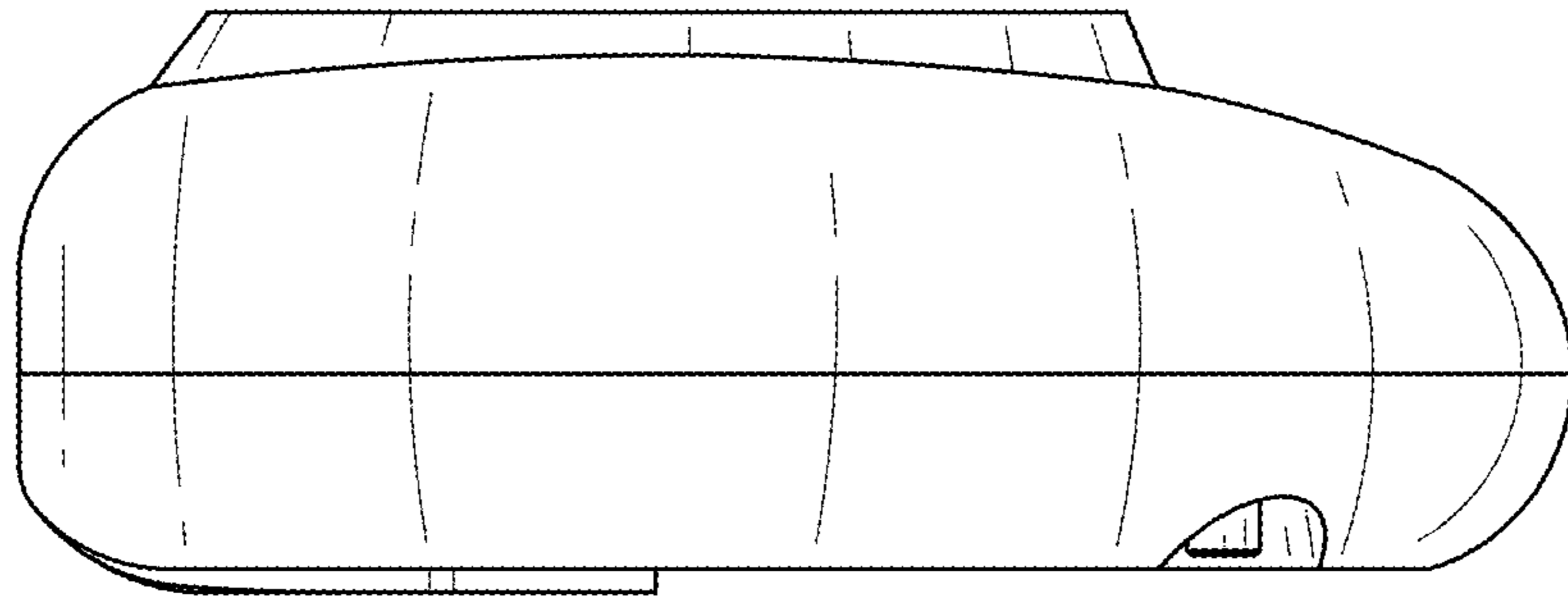


FIG. 23

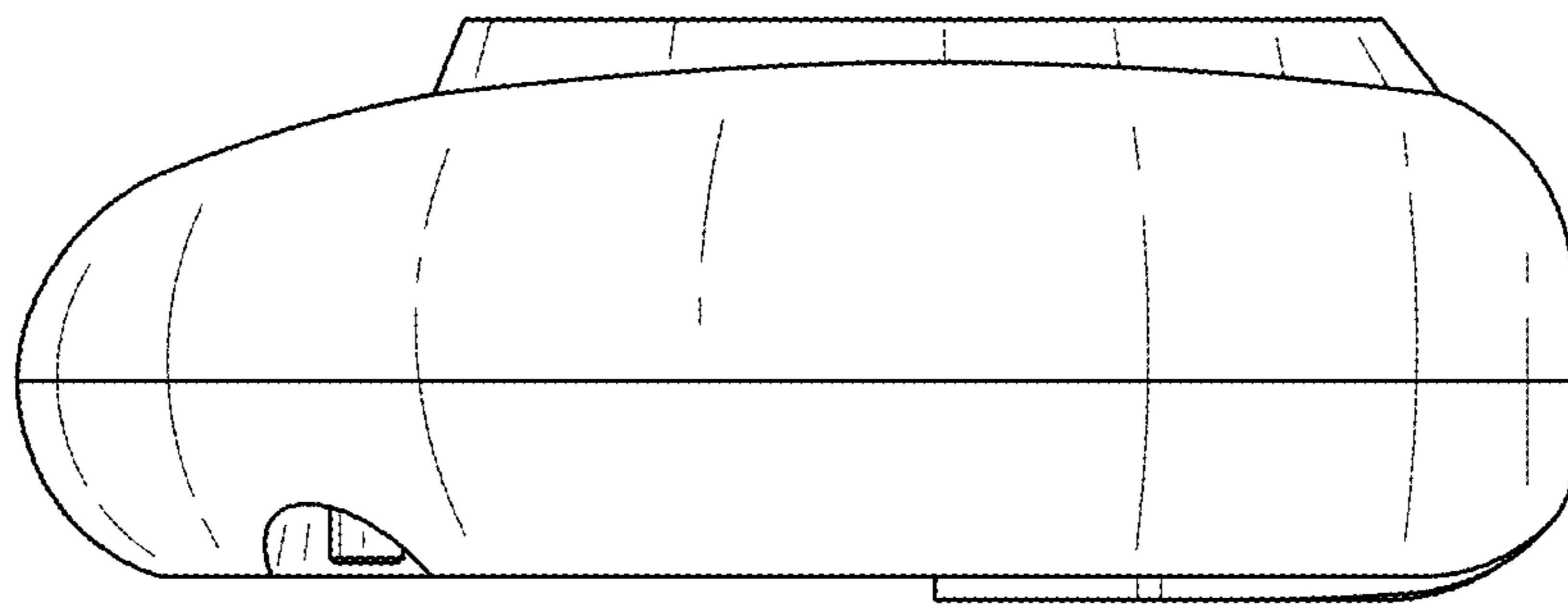


FIG. 24