



US00D830416S

(12) **United States Design Patent**
Shin et al.

(10) **Patent No.:** **US D830,416 S**

(45) **Date of Patent:** **** Oct. 9, 2018**

(54) **COMPRESSOR FOR VEHICLES**

(71) Applicant: **HANON SYSTEMS**, Daejeon (KR)

(72) Inventors: **In Cheol Shin**, Daejeon (KR); **Hong Min Kim**, Daejeon (KR); **Chi Myeong Moon**, Daejeon (KR); **Kweon Soo Lim**, Daejeon (KR); **Soo Cheol Jeong**, Daejeon (KR)

(73) Assignee: **HANON SYSTEMS**, Daejeon (KR)

(**) Term: **15 Years**

(21) Appl. No.: **29/596,899**

(22) Filed: **Mar. 13, 2017**

(30) **Foreign Application Priority Data**

Jan. 6, 2017 (KR) 30-2017-0000891

(51) **LOC (11) Cl.** **15-02**

(52) **U.S. Cl.**
USPC **D15/7**

(58) **Field of Classification Search**

USPC D15/7-9; D23/231, 232, 225; 417/60, 417/235, 265, 321, 355, 358, 363, 359, 417/410.1, 415-416, 405, 900, 231, 313, 417/273, 539; 60/408, 412; 184/26-37; 415/140-147; 123/495, 509; 418/259
CPC F01D 5/14; F01D 5/12; F01D 5/04; F02B 33/40; F04D 29/42

See application file for complete search history.

(56) **References Cited**

U.S. PATENT DOCUMENTS

D463,452 S * 9/2002 Soderqvist D15/7
D538,826 S * 3/2007 Kienzle D15/9

D665,051 S * 8/2012 Anderson D15/7
D712,933 S * 9/2014 DeOreo D15/7
D719,979 S * 12/2014 Son D15/9
D720,778 S * 1/2015 Lim D15/9
D735,244 S * 7/2015 Jeong D15/9
D803,270 S * 11/2017 Chen D15/9
D803,286 S * 11/2017 Egami D15/148
D804,537 S * 12/2017 Chen D15/7

* cited by examiner

Primary Examiner — Ralf Seifert

(74) *Attorney, Agent, or Firm* — Dickinson Wright PLLC

(57) **CLAIM**

We claim the ornamental design for a compressor for vehicles, as shown herein.

DESCRIPTION

FIG. 1 a perspective view of a compressor for vehicles showing our new design;

FIG. 2 is a front view of the compressor for vehicles according to the present design;

FIG. 3 is a rear view of the compressor for vehicles according to the present design;

FIG. 4 is a left side view of the compressor for vehicles according to the present design;

FIG. 5 is a right side view of the compressor for vehicles according to the present design;

FIG. 6 is a plan view of the compressor for vehicles according to the present design; and,

FIG. 7 is a bottom view of the compressor for vehicles according to the present design.

The broken lines are included for the purpose of illustrating portions of the compressor for vehicles that form no part of the claimed design.

1 Claim, 6 Drawing Sheets

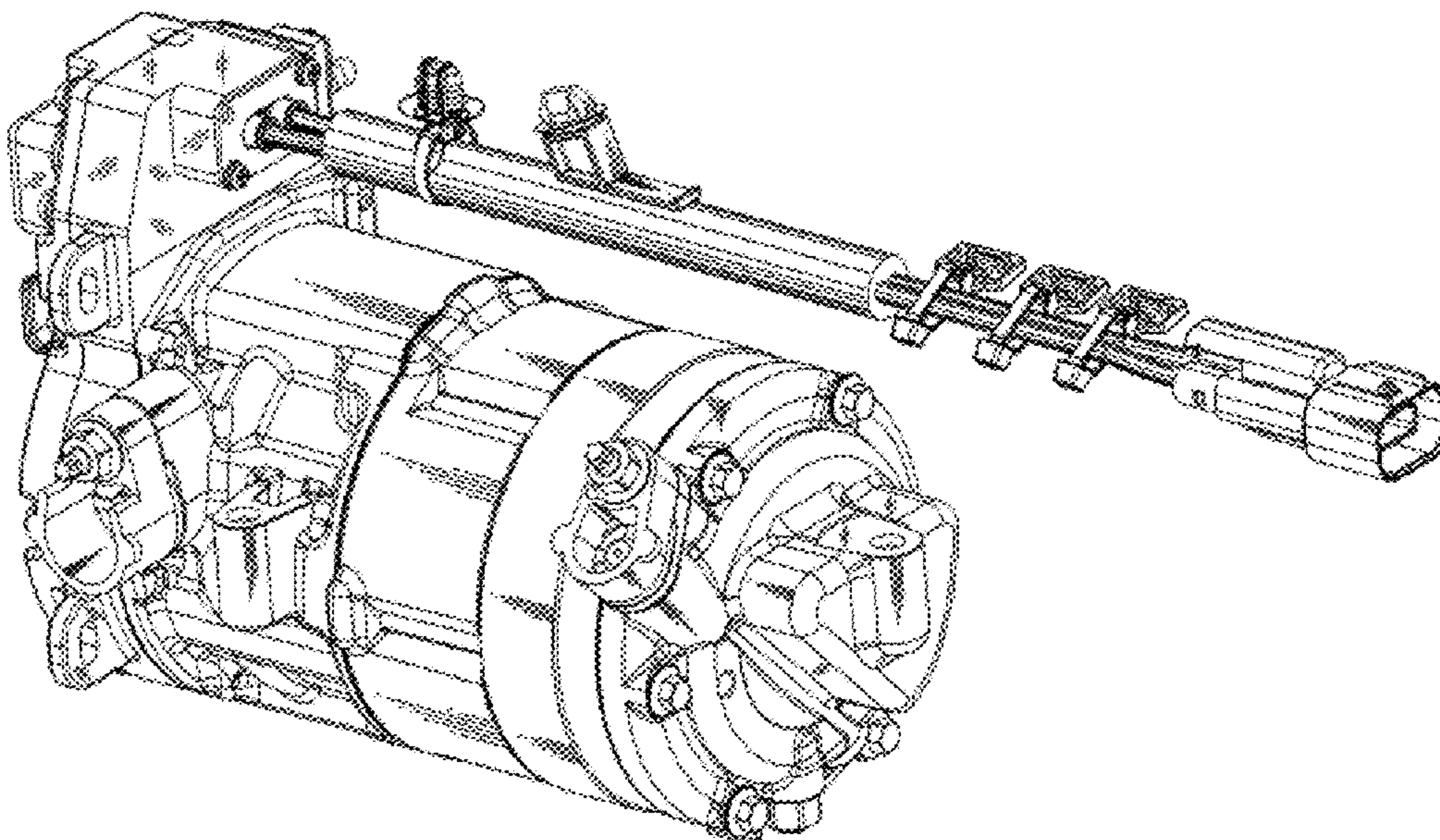


Fig. 1

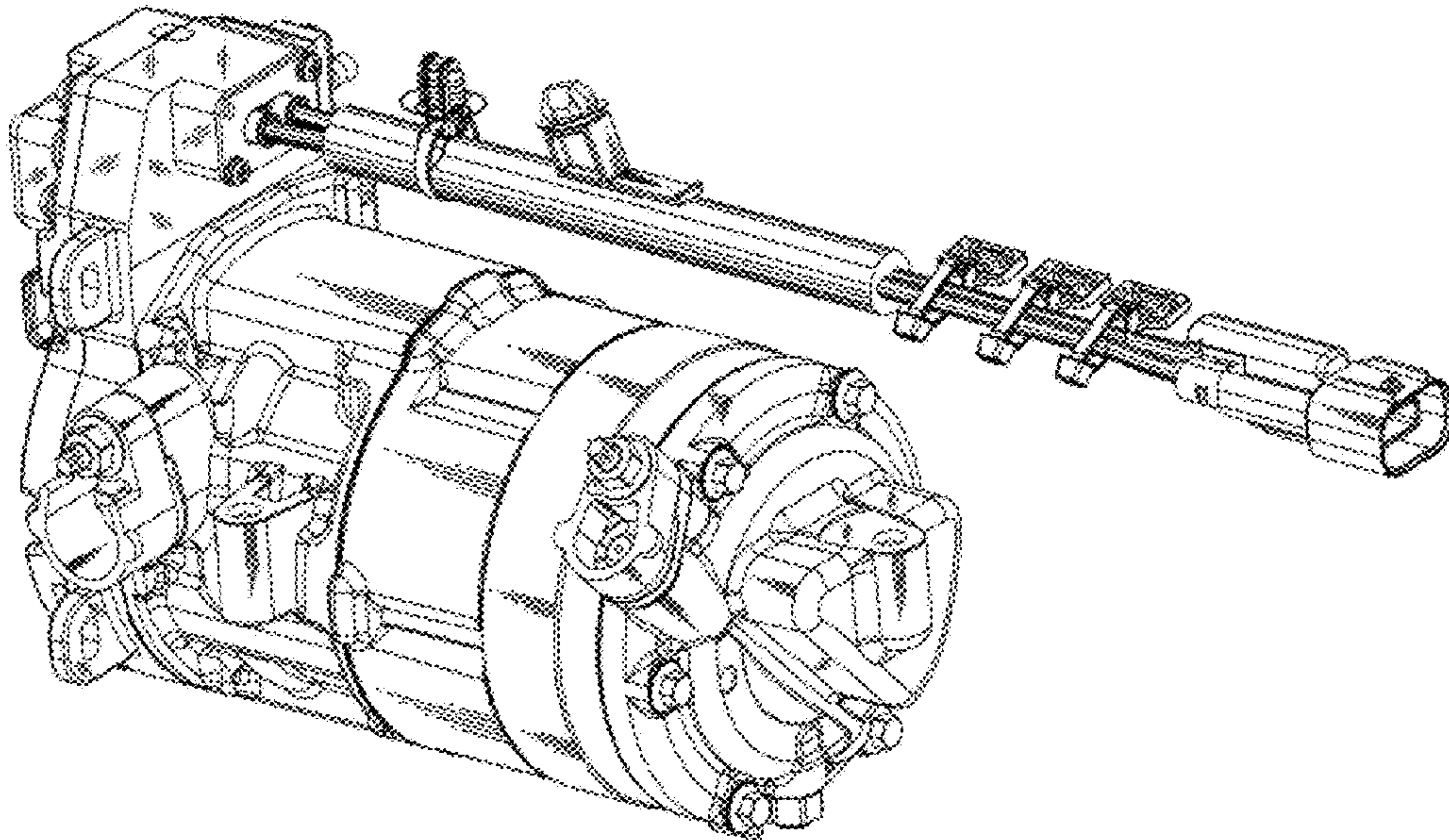
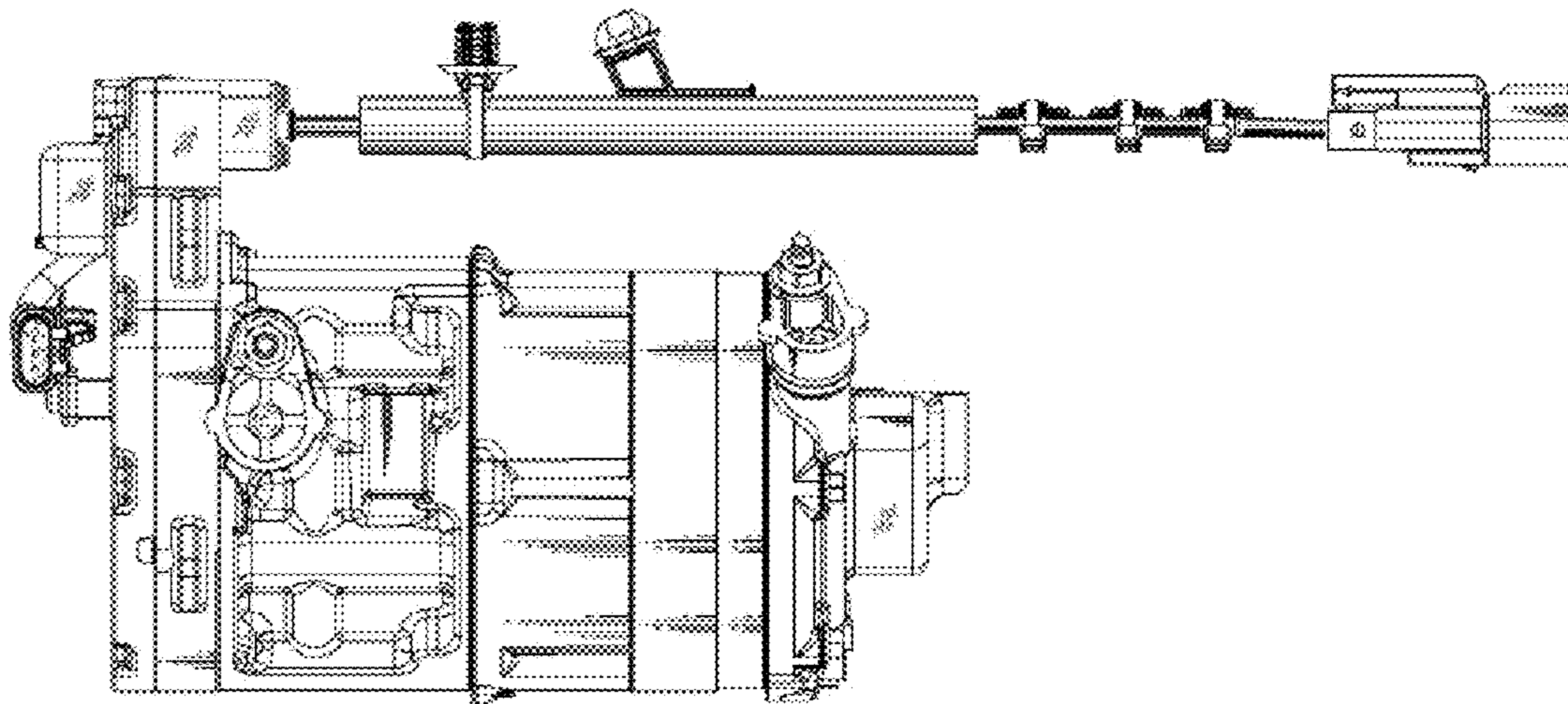


Fig. 2



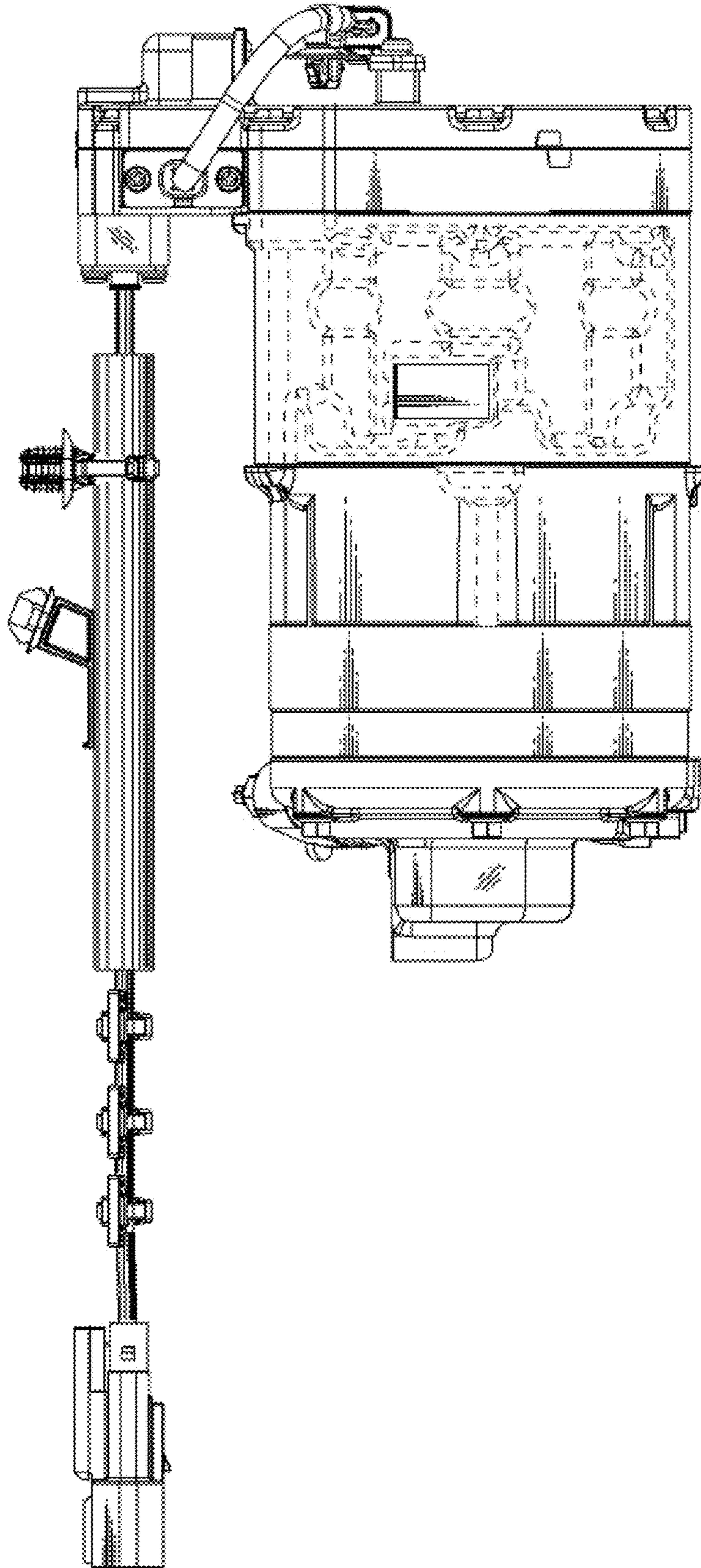


Fig. 3

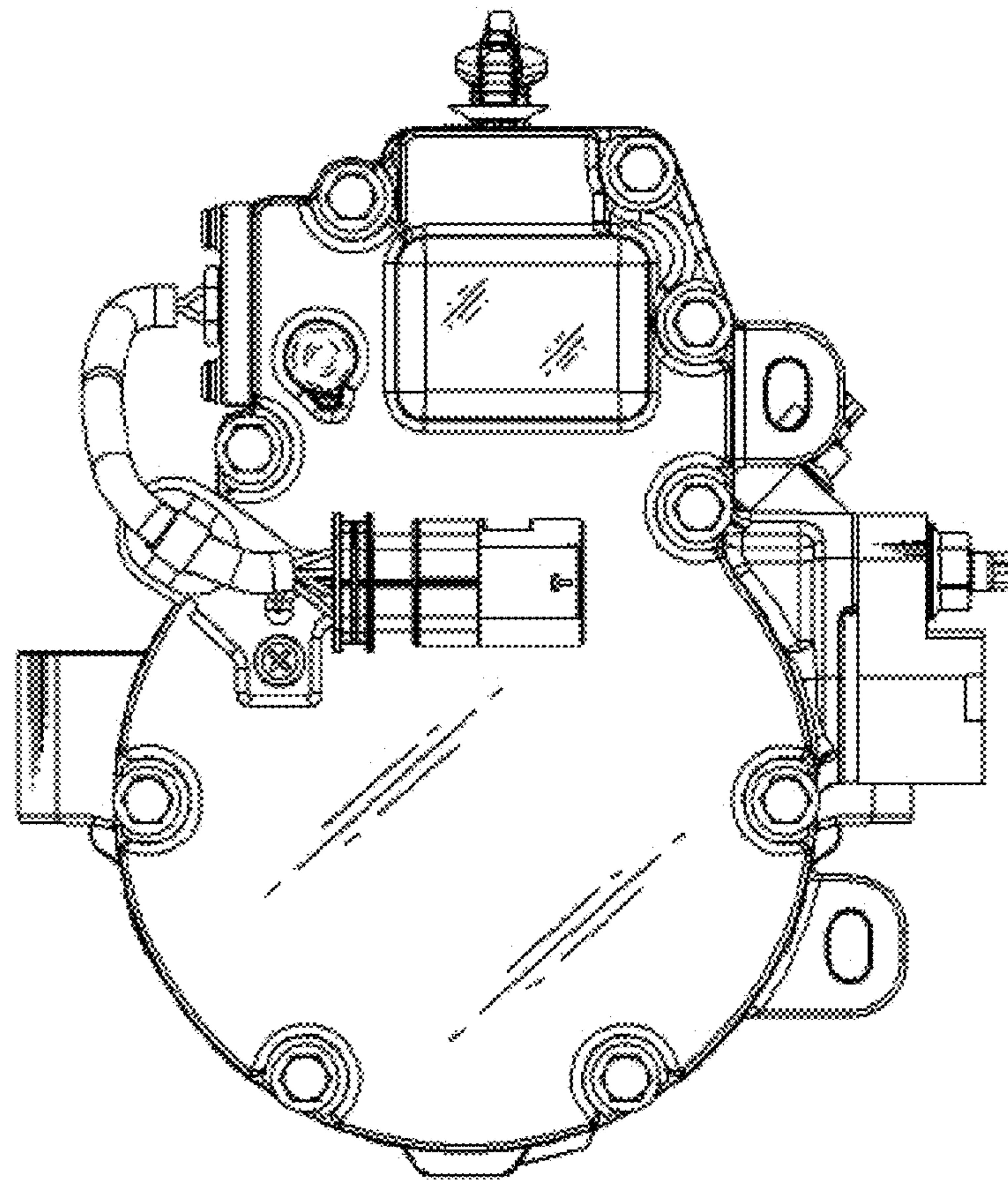


Fig. 4

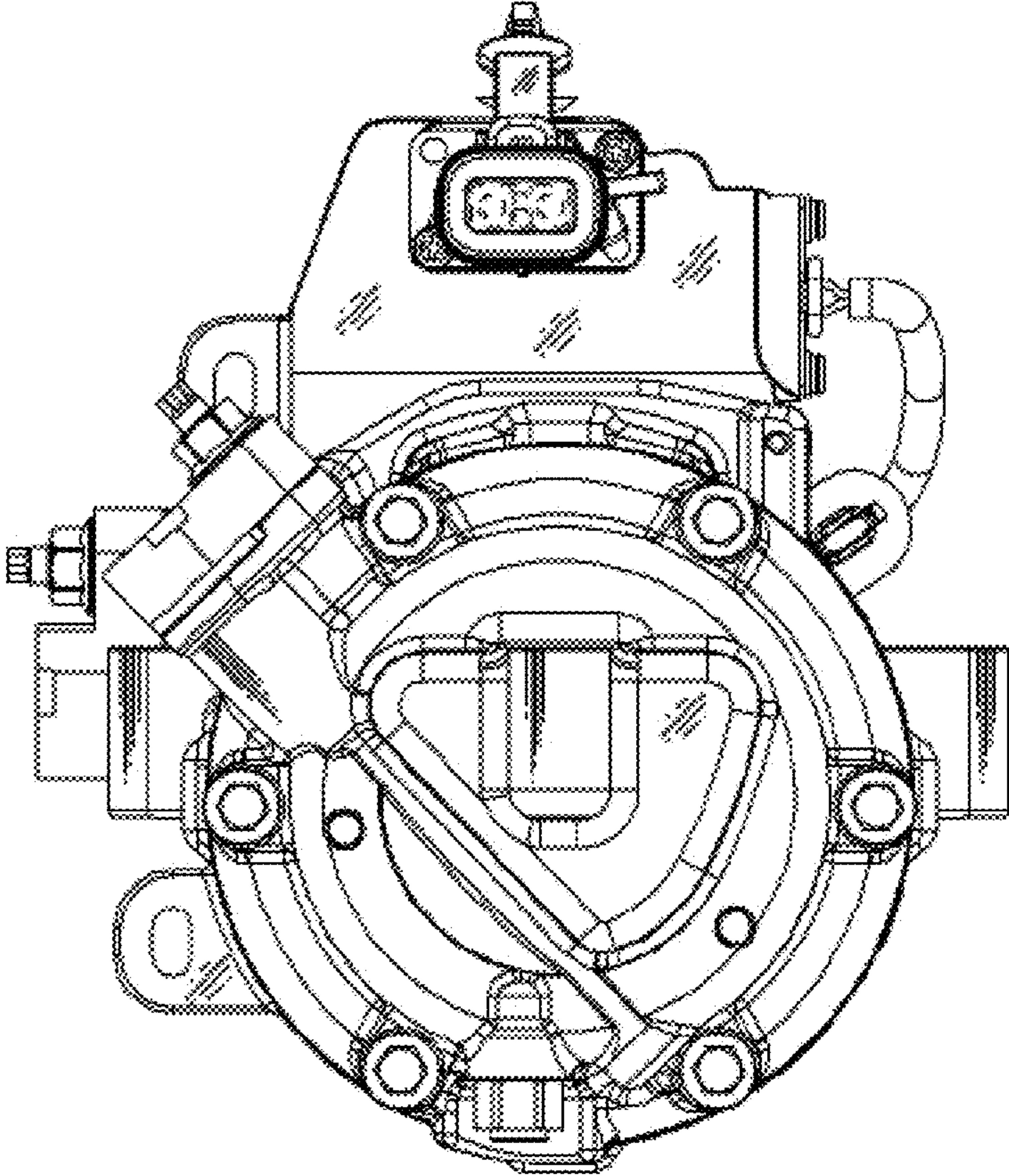


Fig. 5

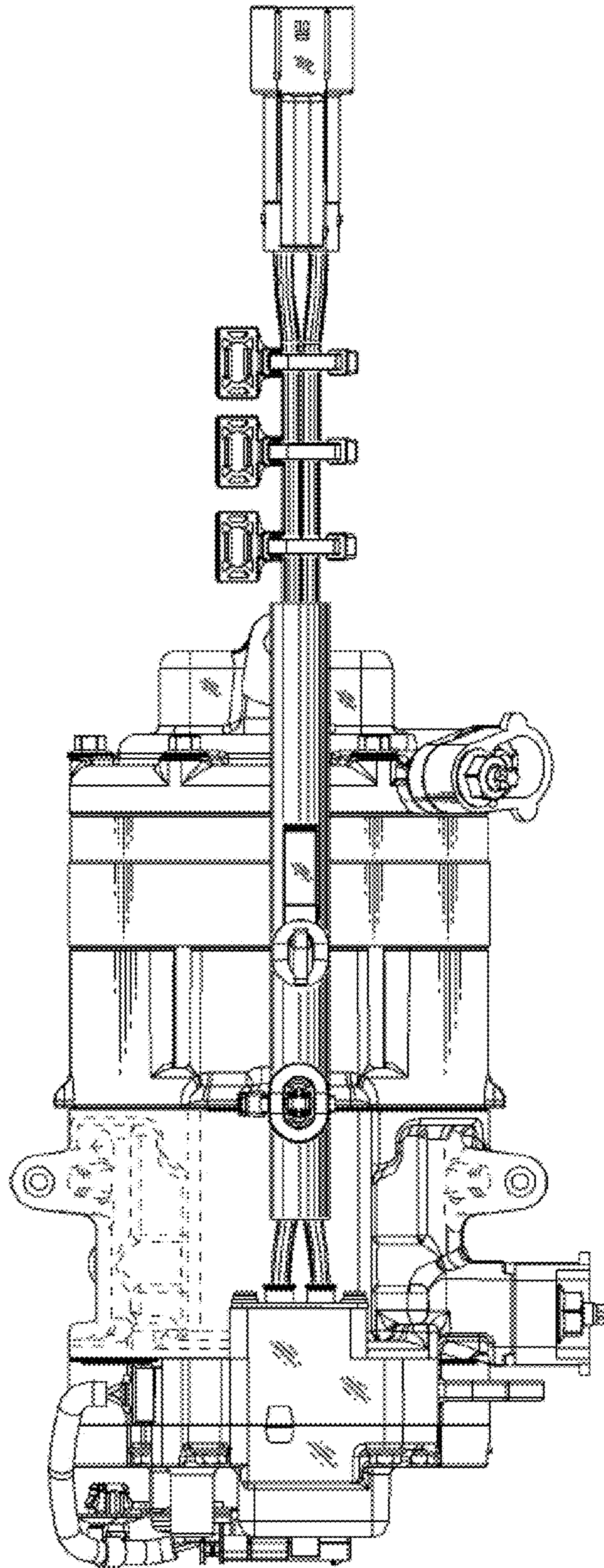


Fig. 6

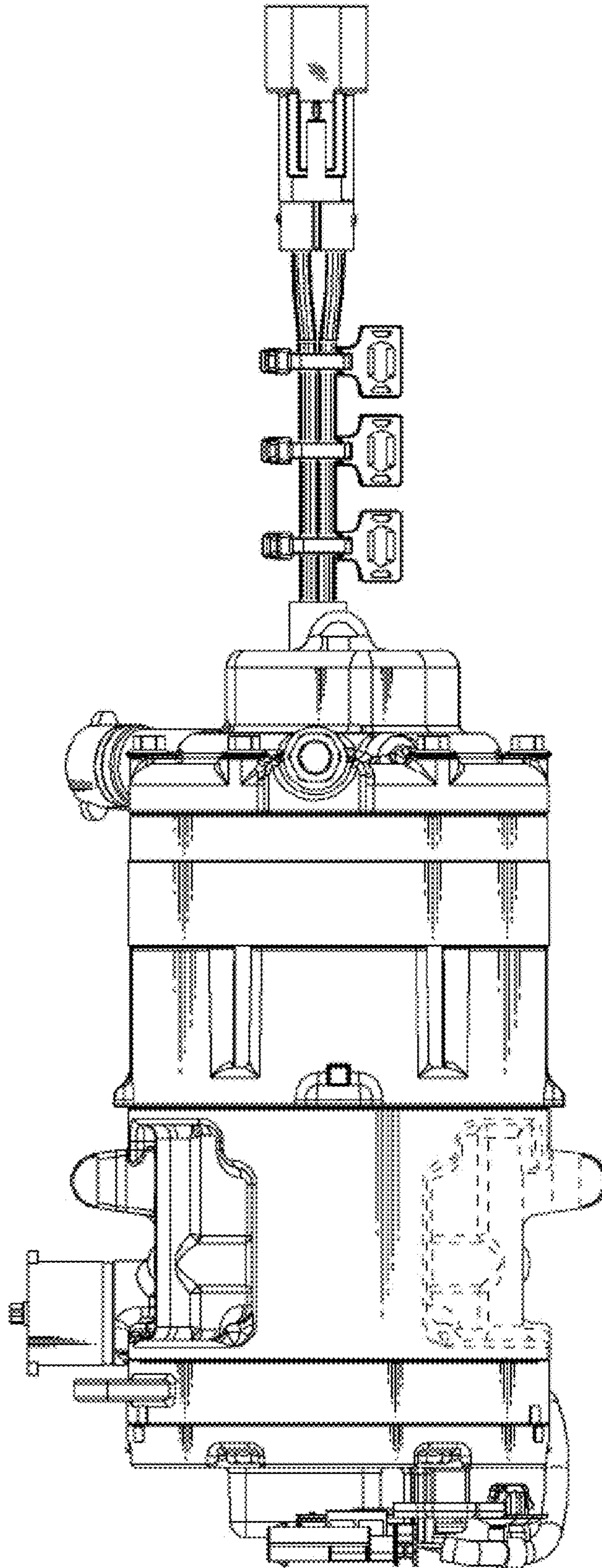


Fig. 7