



US00D830415S

(12) **United States Design Patent**  
**Kennedy et al.**

(10) **Patent No.:** **US D830,415 S**

(45) **Date of Patent:** **\*\* Oct. 9, 2018**

(54) **AIR PUMP**

(71) Applicant: **Sage Products, LLC**, Cary, IL (US)

(72) Inventors: **Jeffrey A. Kennedy**, Algonquin, IL (US); **Brian J. Ecklund**, Lakemoor, IL (US)

(73) Assignee: **Sage Products, LLC**, Cary, IL (US)

(\*\*) Term: **15 Years**

(21) Appl. No.: **29/592,970**

(22) Filed: **Feb. 3, 2017**

(51) **LOC (11) Cl.** ..... **15-02**

(52) **U.S. Cl.**

USPC ..... **D15/7**

(58) **Field of Classification Search**

USPC ..... D15/7-9; D23/231, 232, 225; 417/60, 417/235, 265, 321, 355, 358, 363, 359, 417/410.1, 415-416, 405, 900, 269, 539; 60/408, 412; 184/26-37; 415/140-147; 123/495, 509; 137/565.34

CPC ..... F02M 37/04; F02M 37/14; F04B 53/92; F04B 1/005; F04B 27/0414; F04D 13/06; F04D 29/22; F04D 29/046; F04D 29/2266

See application file for complete search history.

(56) **References Cited**

**U.S. PATENT DOCUMENTS**

D466,908 S	*	12/2002	Poon	.....	D15/7
D484,147 S	*	12/2003	Tai	.....	D15/9
D485,281 S		1/2004	Hsiao		
D490,821 S	*	6/2004	Leventhal	.....	D15/9
D501,486 S	*	2/2005	Leone	.....	D15/7
D531,645 S	*	11/2006	Wise	.....	D15/9
D548,751 S	*	8/2007	Snider	.....	D15/7
D557,708 S	*	12/2007	Carpenter	.....	D15/7
D588,165 S		3/2009	Steinfels et al.		
D641,765 S		7/2011	Vieira		

D664,156 S	*	7/2012	Meza	.....	D15/7
D669,501 S	*	10/2012	Meza	.....	D15/7
D698,369 S	*	1/2014	Meza	.....	D15/7
D713,860 S	*	9/2014	Pedrollo	.....	D15/7
D726,771 S	*	4/2015	Pansegrouw	.....	D15/7
D739,441 S	*	9/2015	Harkness	.....	D15/7
D744,006 S		11/2015	Nommensen		

\* cited by examiner

*Primary Examiner* — Ralf Seifert

(74) *Attorney, Agent, or Firm* — Foley & Lardner LLP

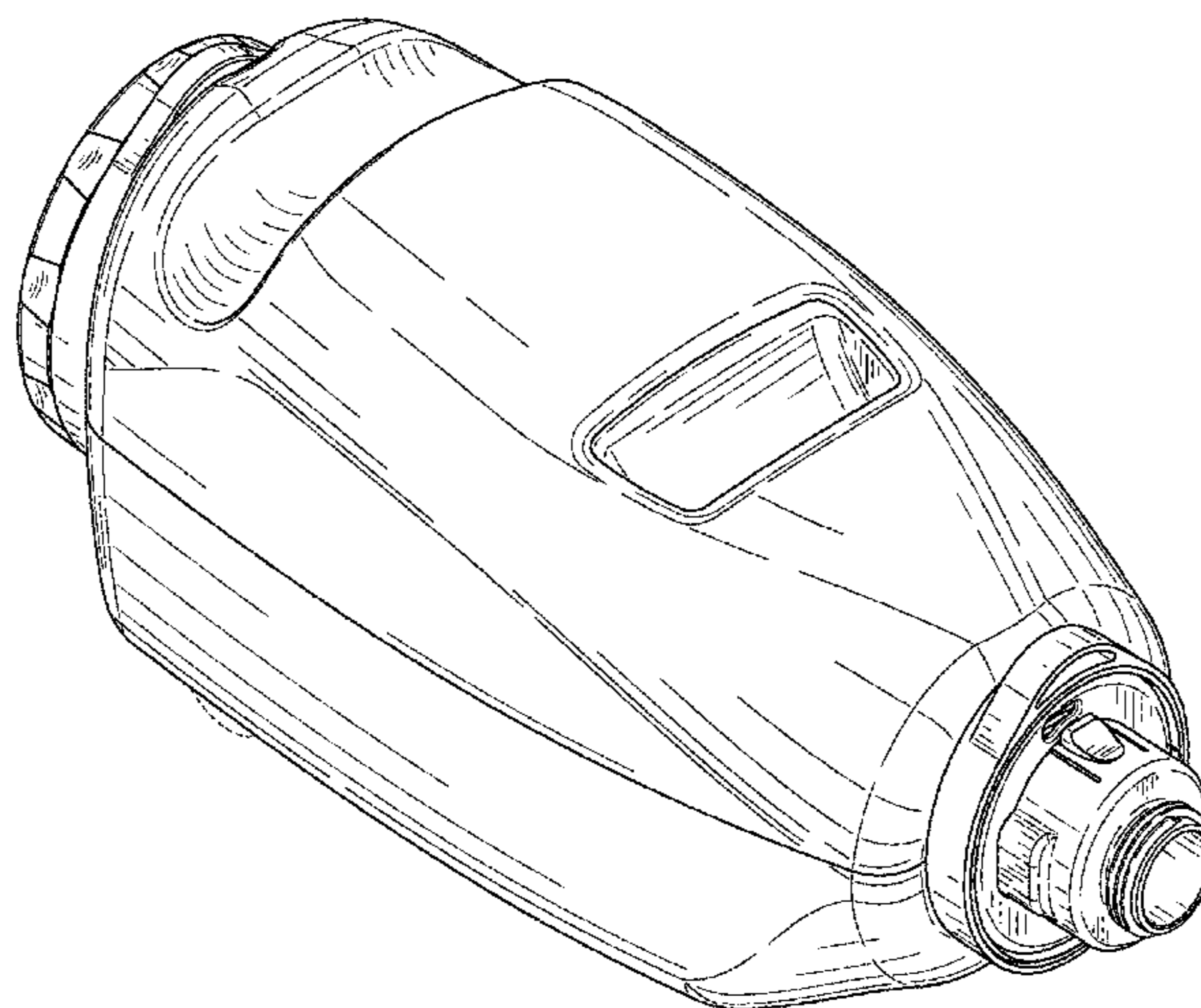
(57) **CLAIM**

The ornamental design for an air pump, as shown and described.

**DESCRIPTION**

FIG. 1 is a top, front, right perspective view of a first embodiment of an air pump showing our new design; FIG. 2 is a front view thereof; FIG. 3 is a rear view thereof; FIG. 4 is a right side view thereof; FIG. 5 is a left side view thereof; FIG. 6 is a top view thereof; FIG. 7 is a bottom view thereof; FIG. 8 is a bottom, rear, left perspective view thereof; FIG. 9 is a top, front, right perspective view of a second embodiment of an air pump showing our new design; FIG. 10 is a front view of FIG. 9; FIG. 11 is a rear view of FIG. 9; FIG. 12 is a right side view of FIG. 9; FIG. 13 is a left side view of FIG. 9; FIG. 14 is a top view of FIG. 9; FIG. 15 is a bottom view of FIG. 9; and, FIG. 16 is a bottom, rear, right perspective view of FIG. 9. The broken lines immediately adjacent to the shaded area represent unclaimed boundaries of the design. The broken lines showing the remainder of the air pump represent unclaimed subject matter and form no part of the claimed design.

**1 Claim, 14 Drawing Sheets**



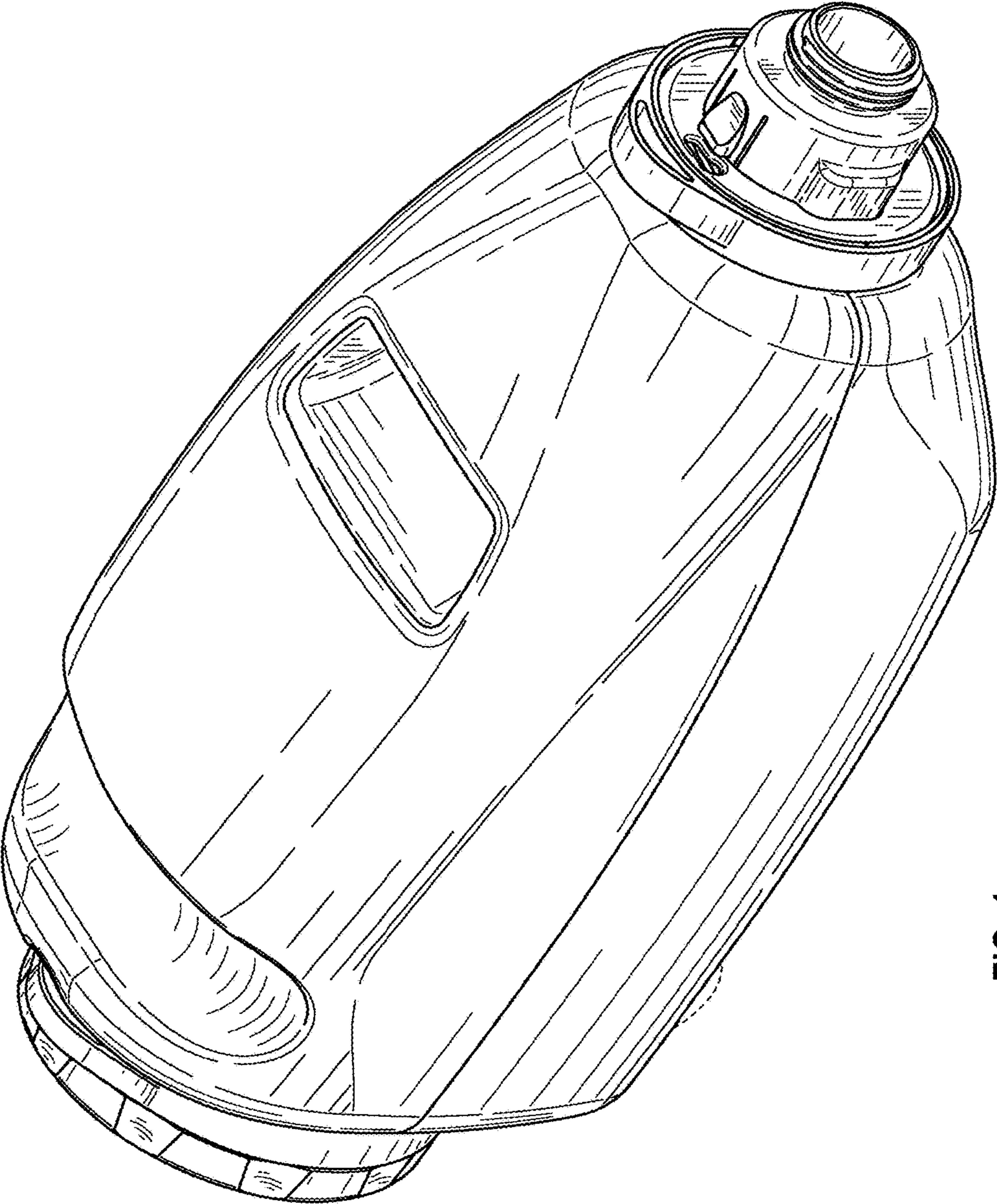


FIG. 1

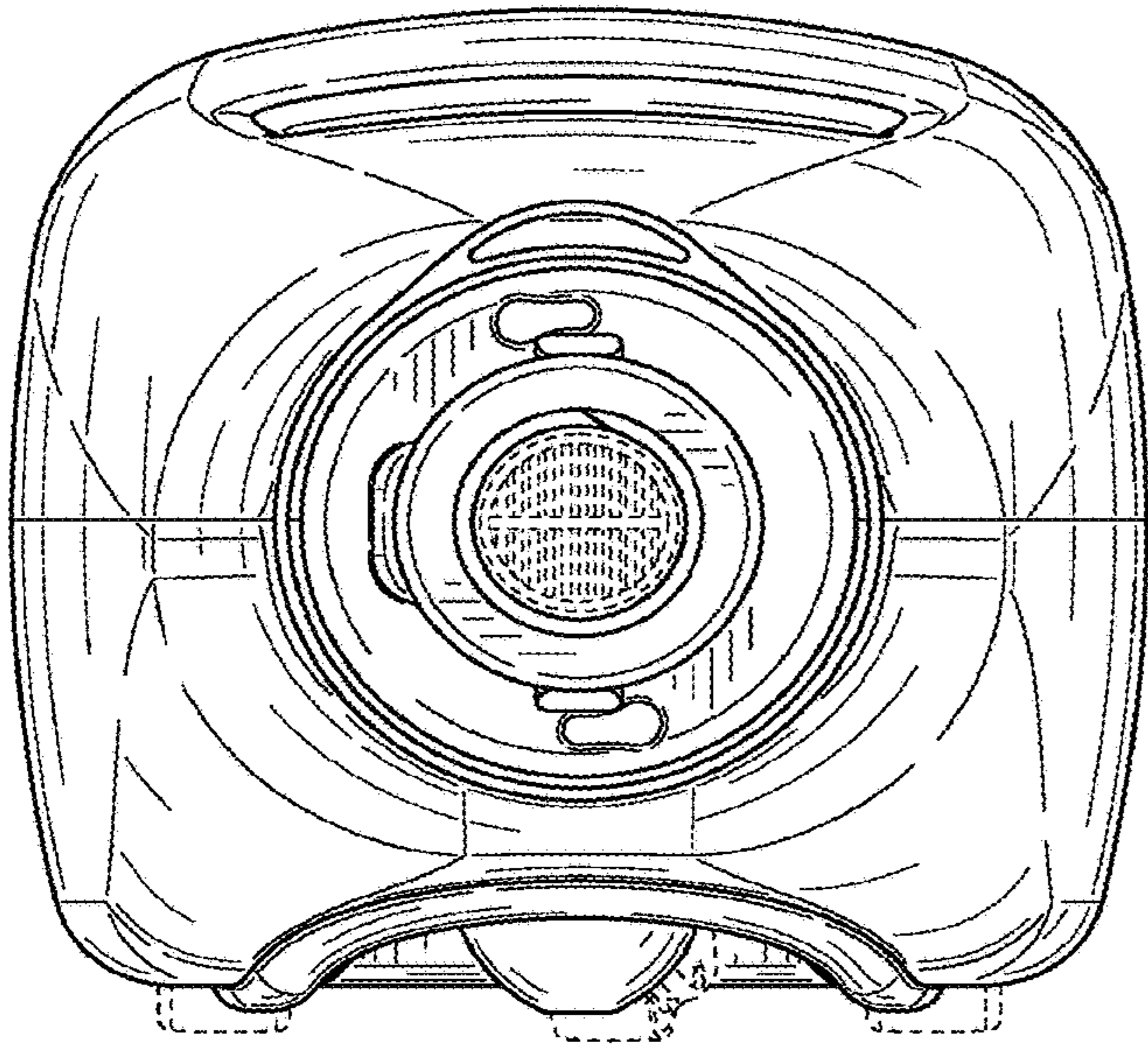


FIG. 2

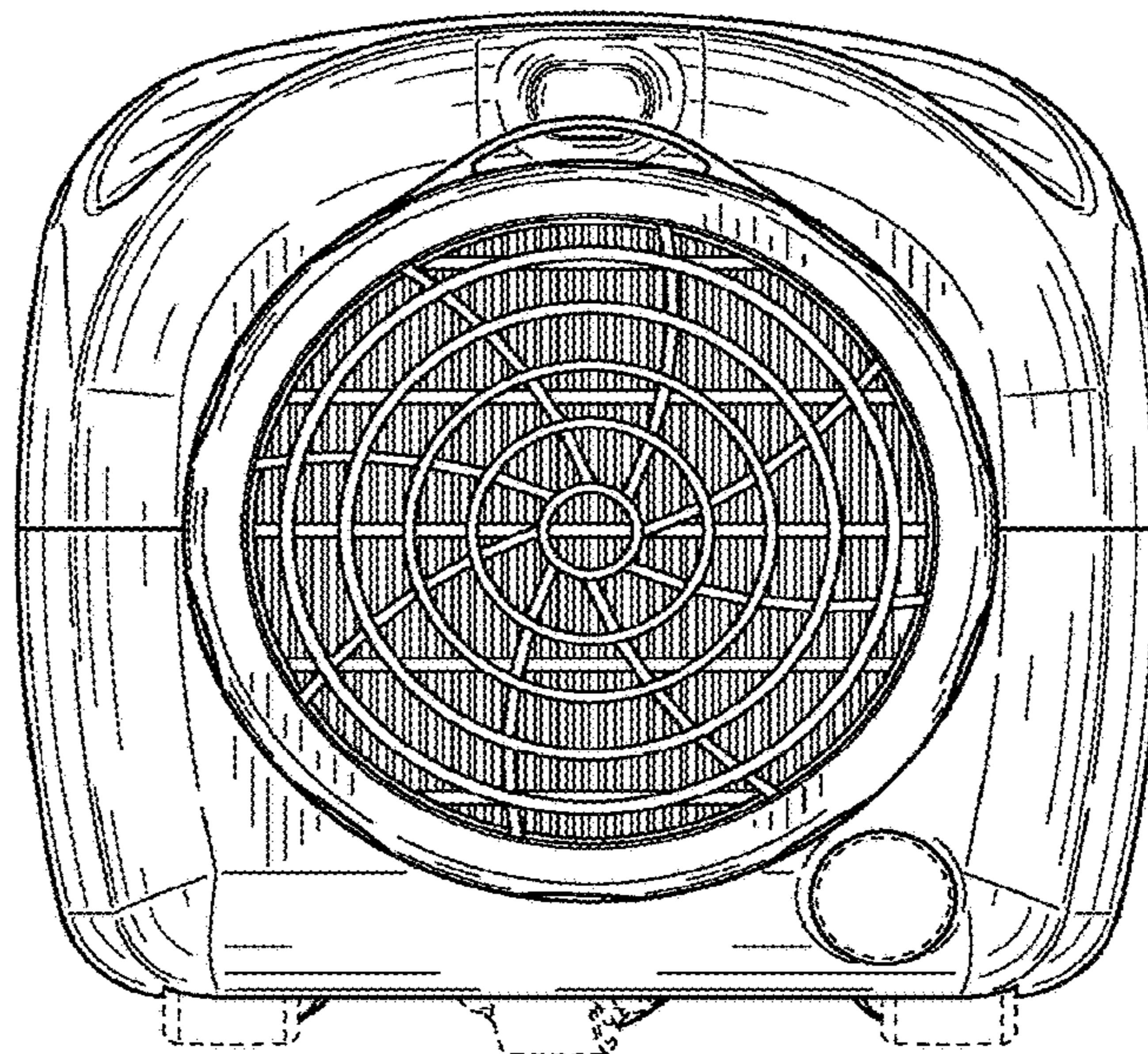


FIG. 3

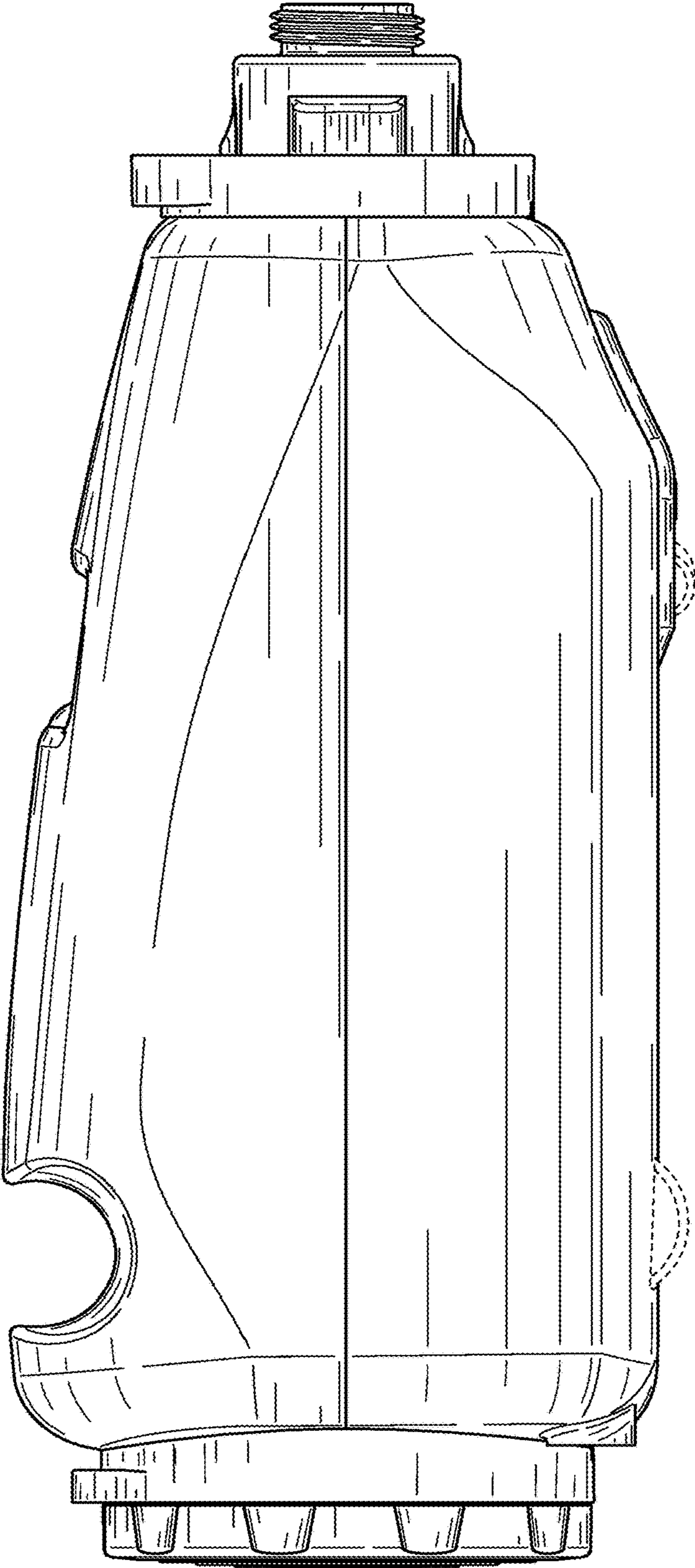


FIG. 4

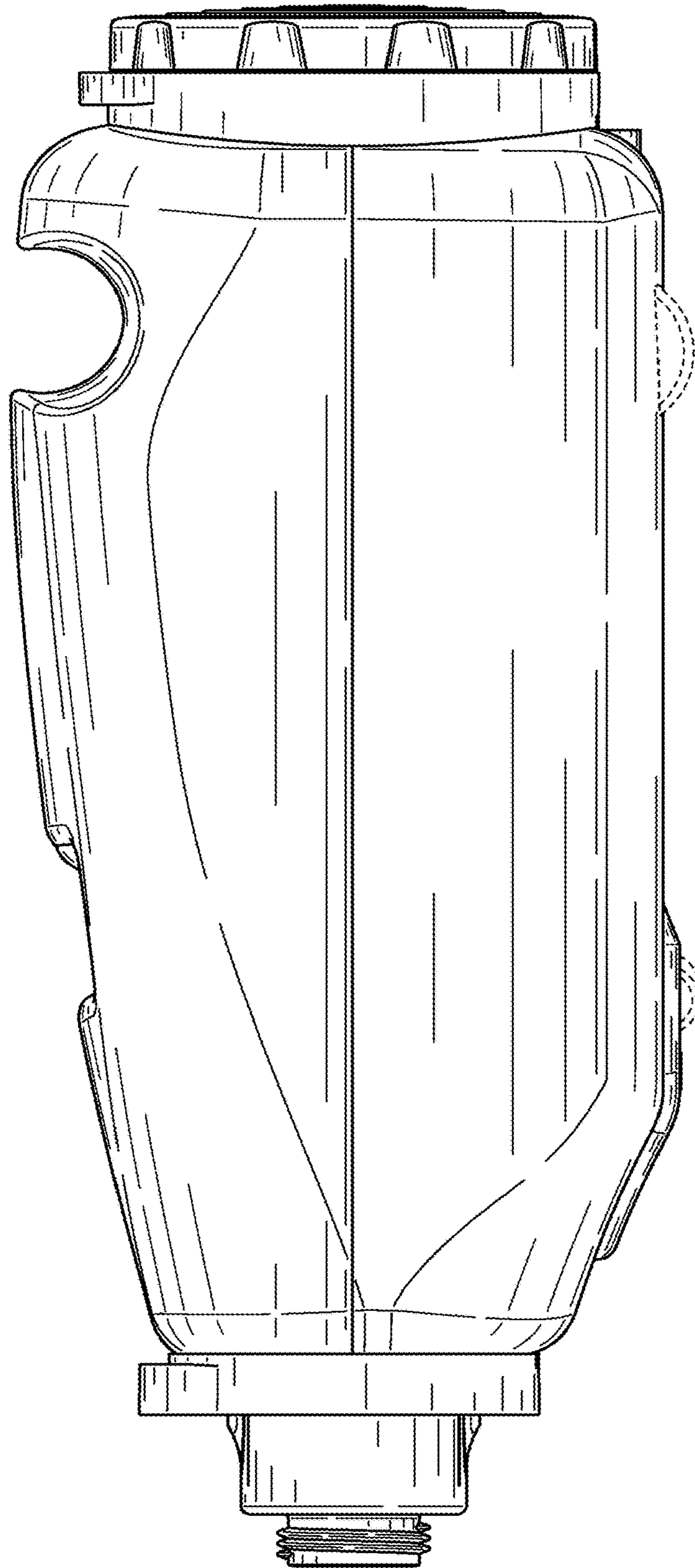


FIG. 5

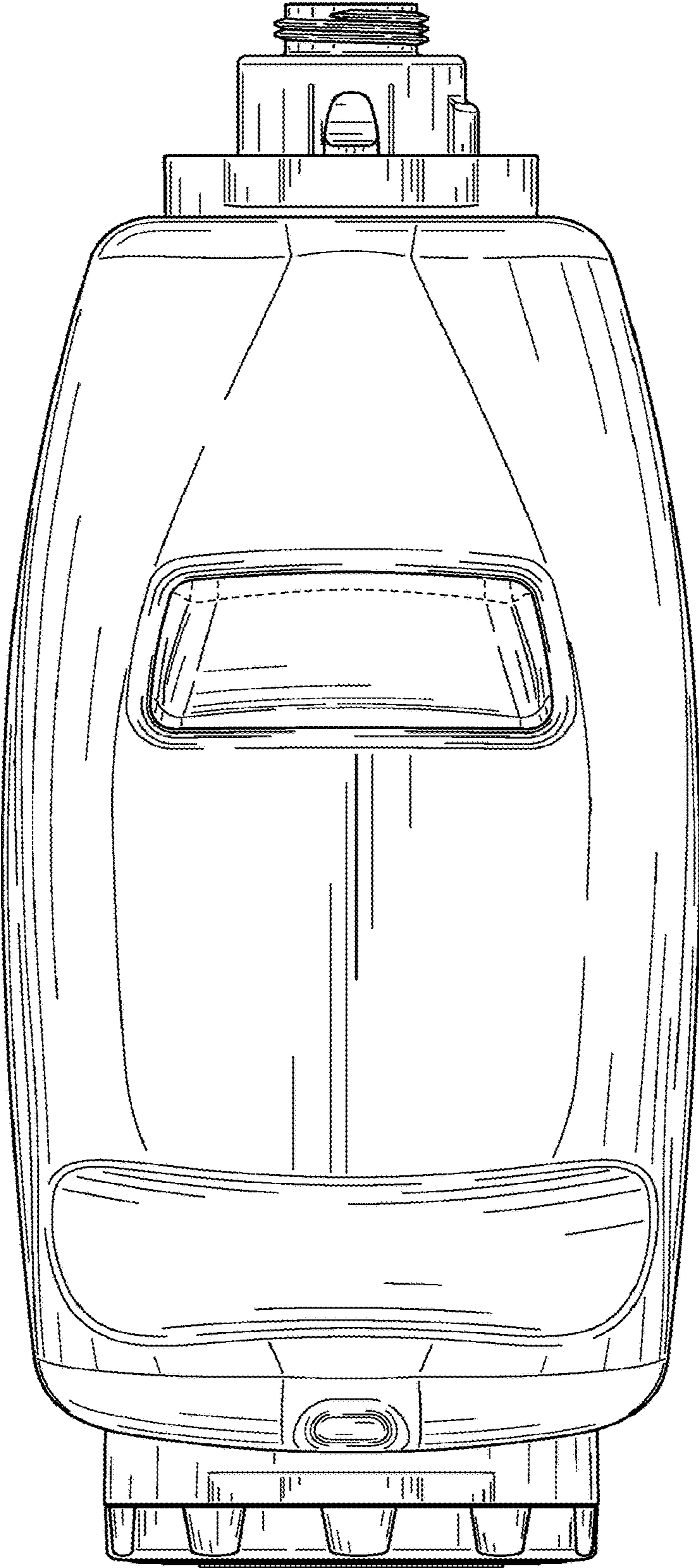


FIG. 6

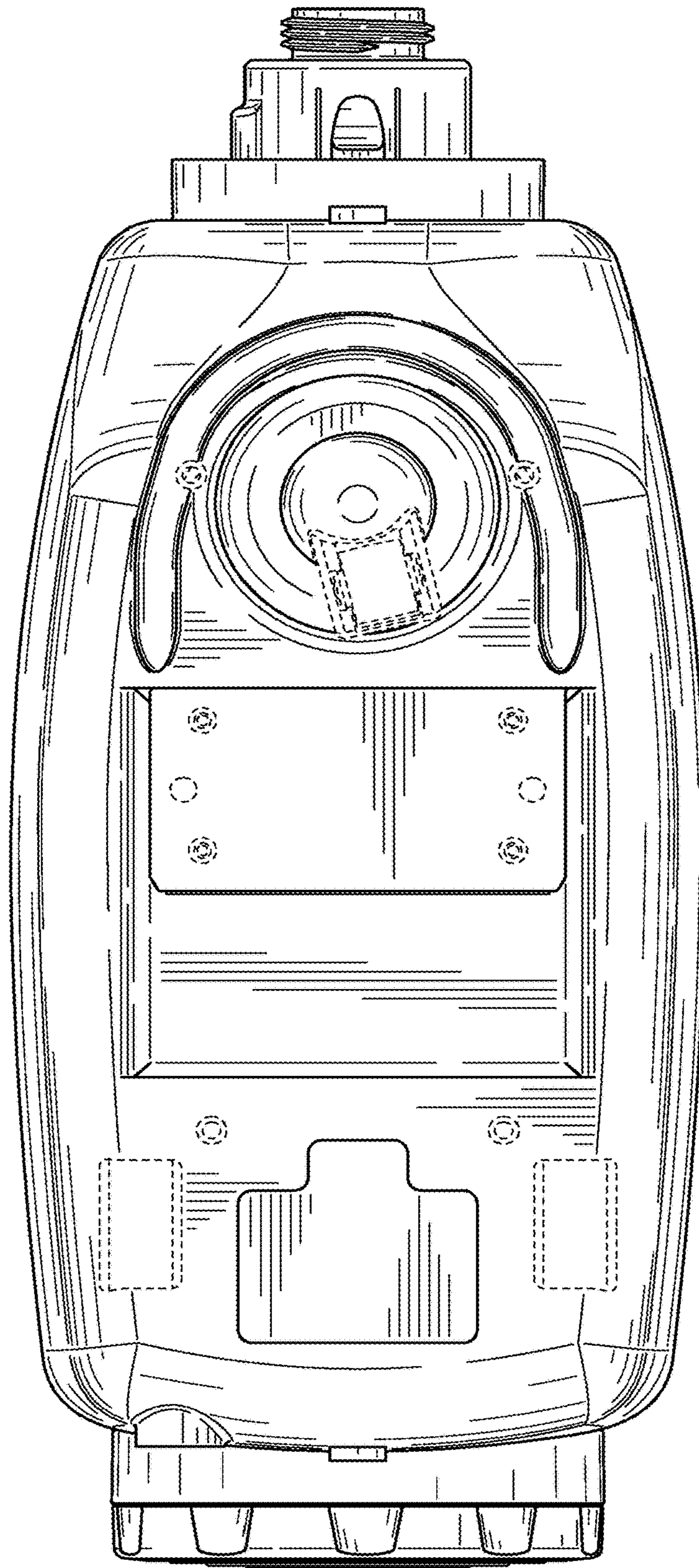


FIG. 7

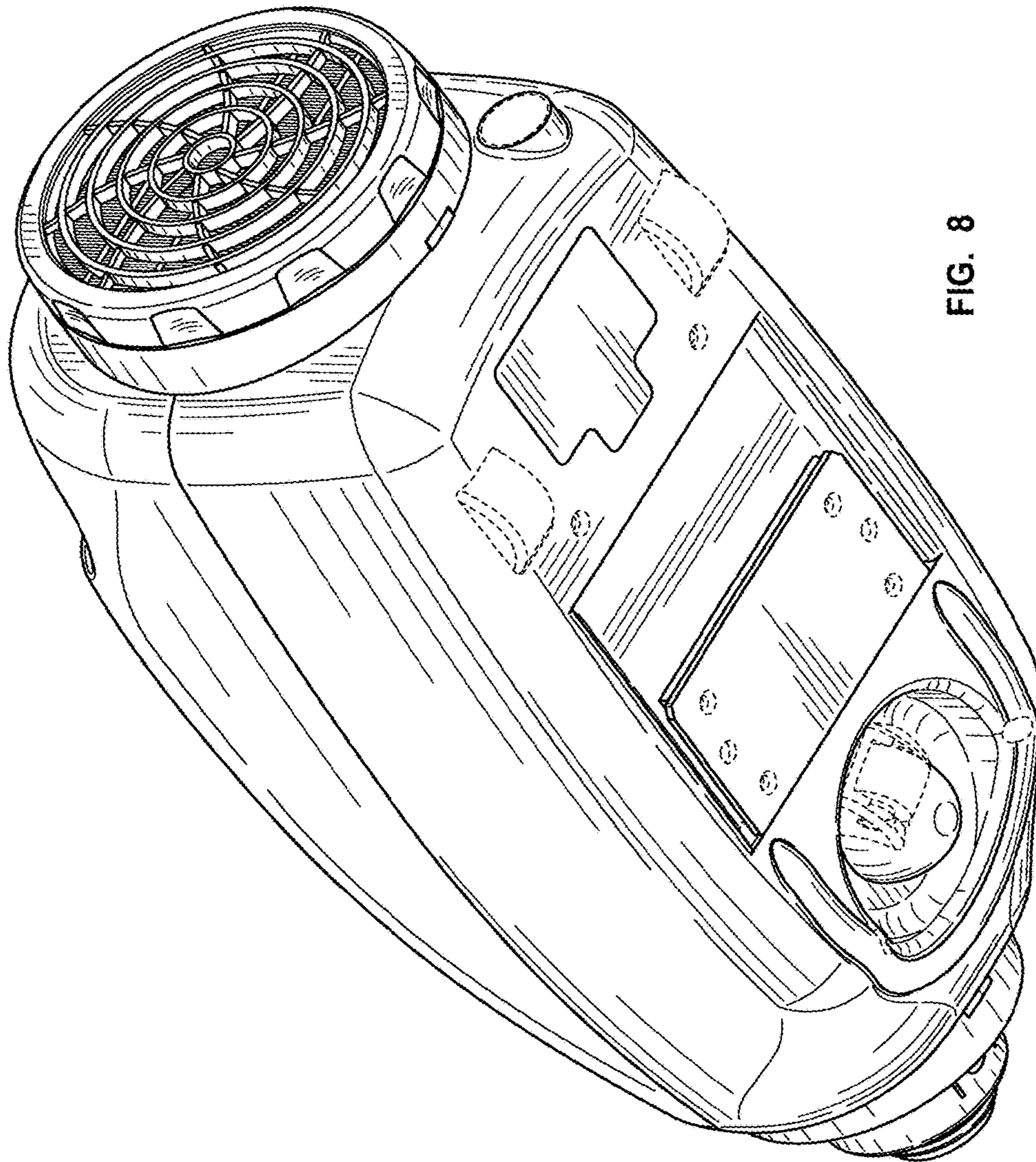


FIG. 8



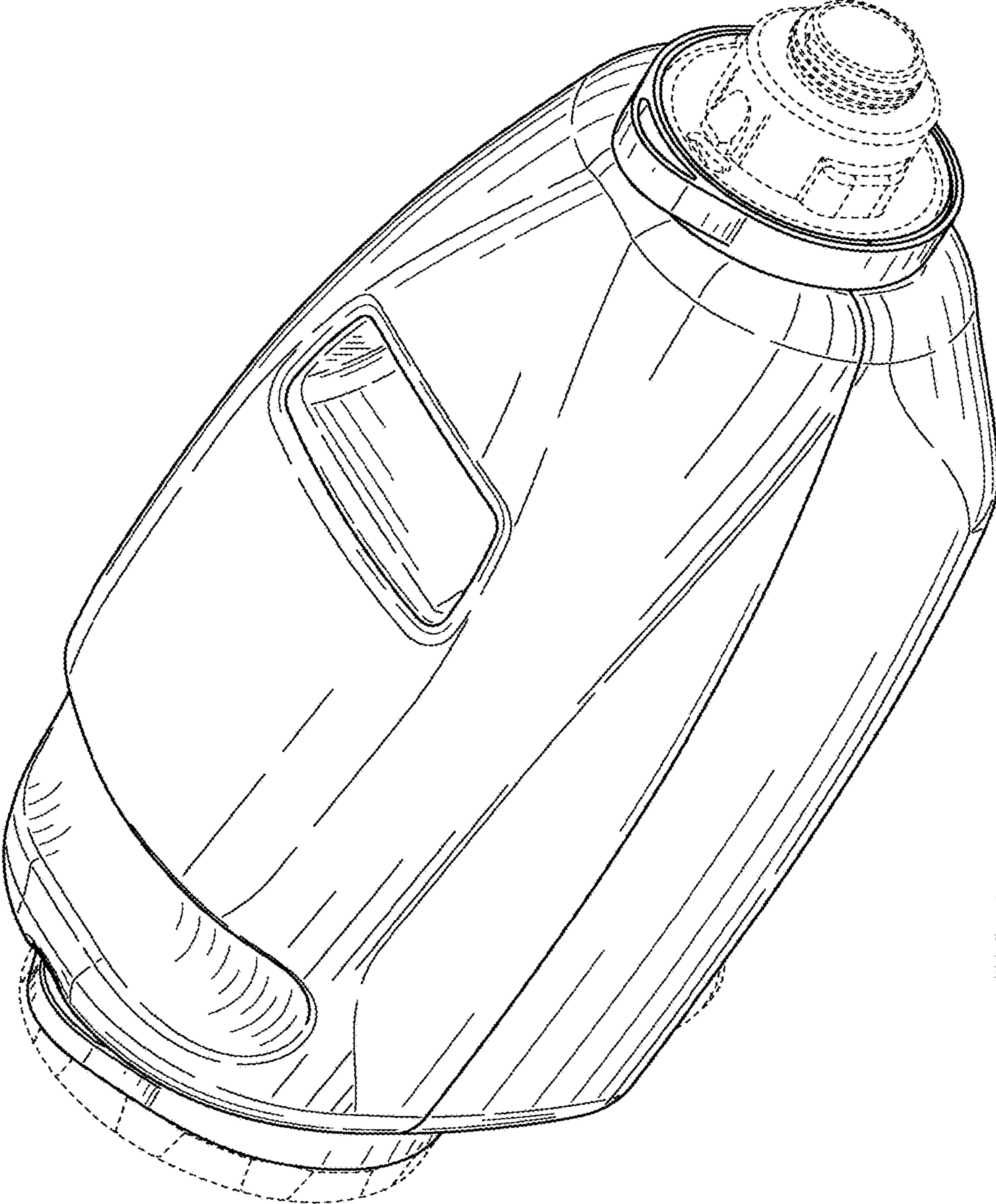


FIG. 9

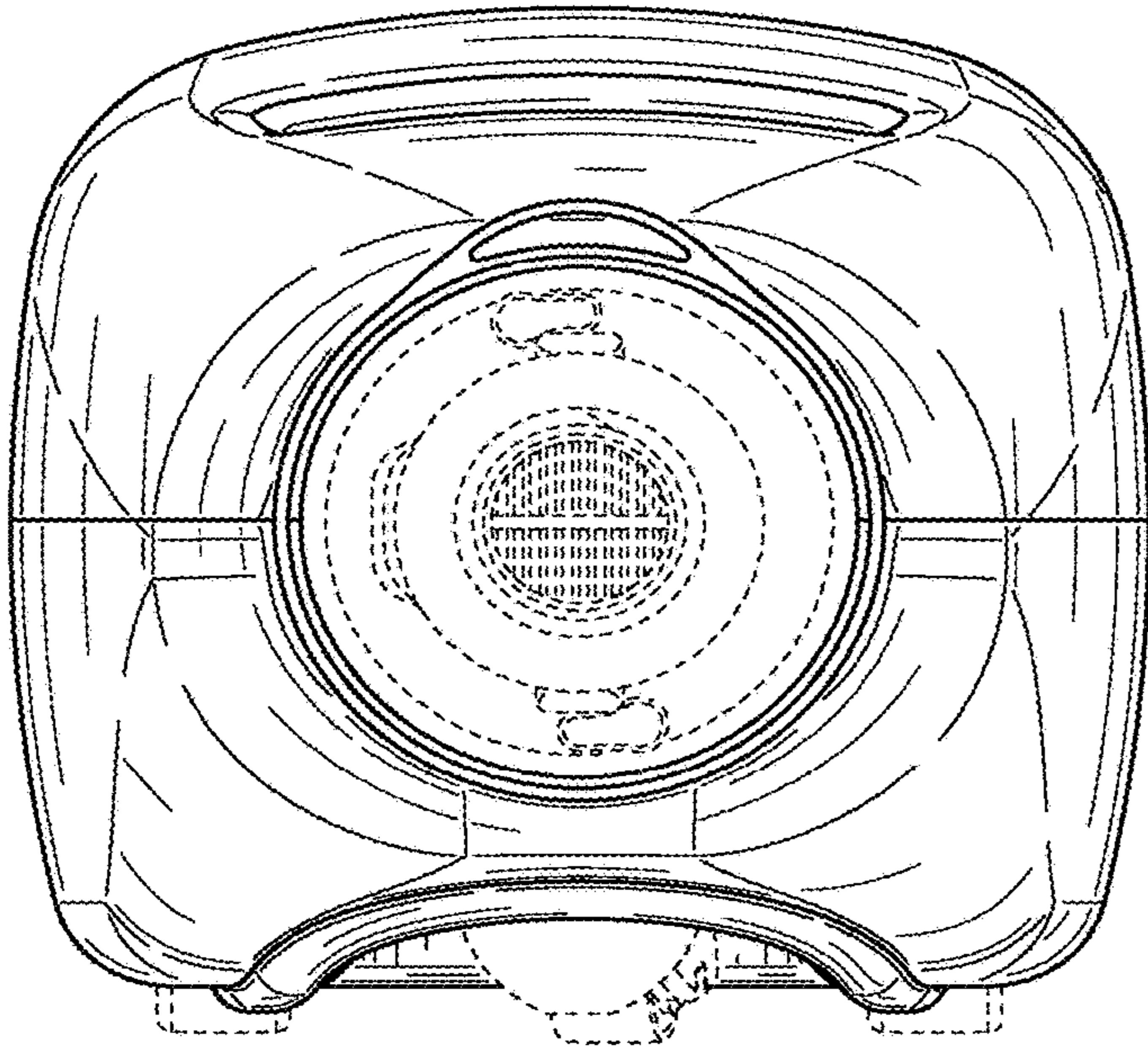


FIG. 10

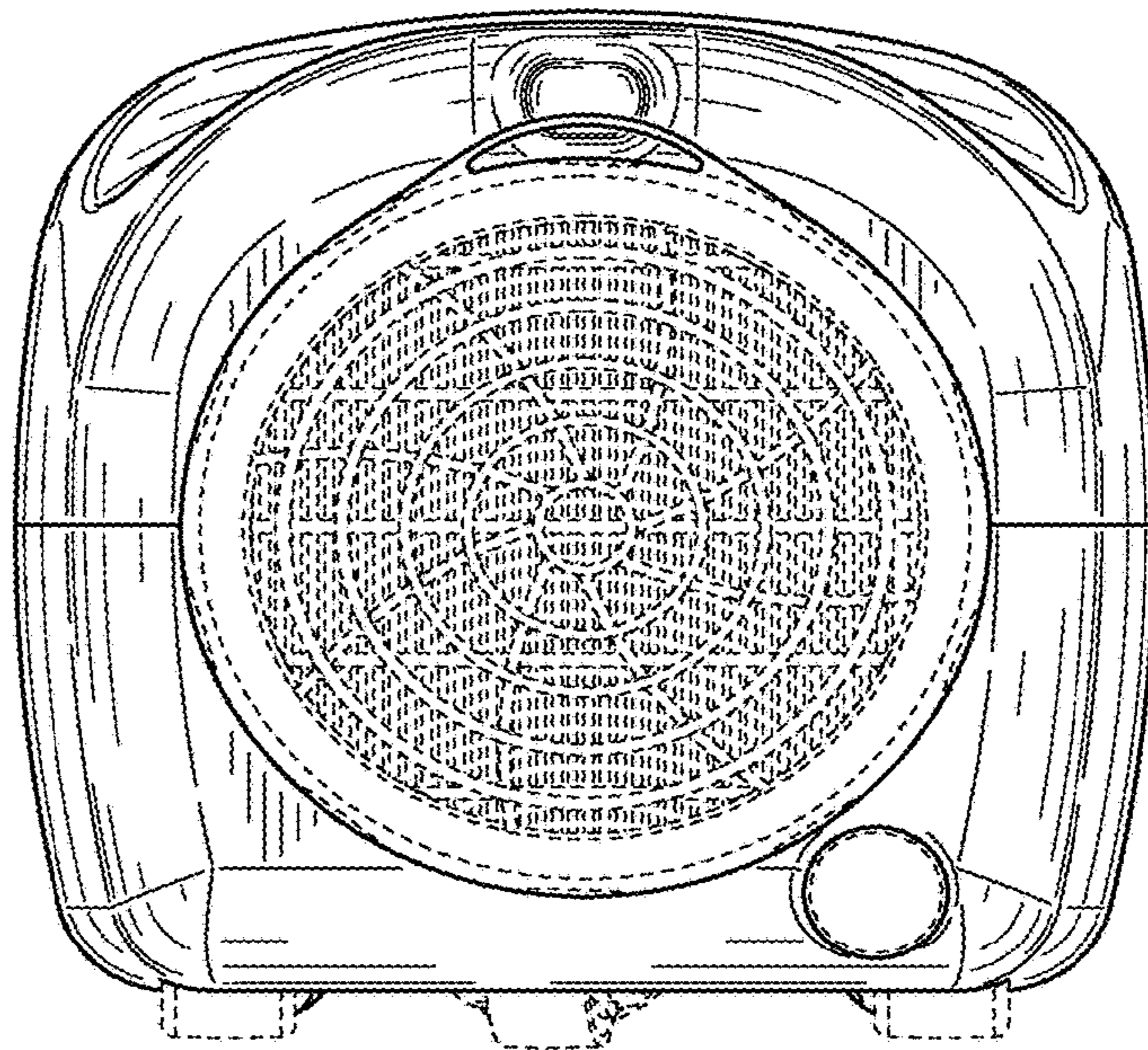


FIG. 11

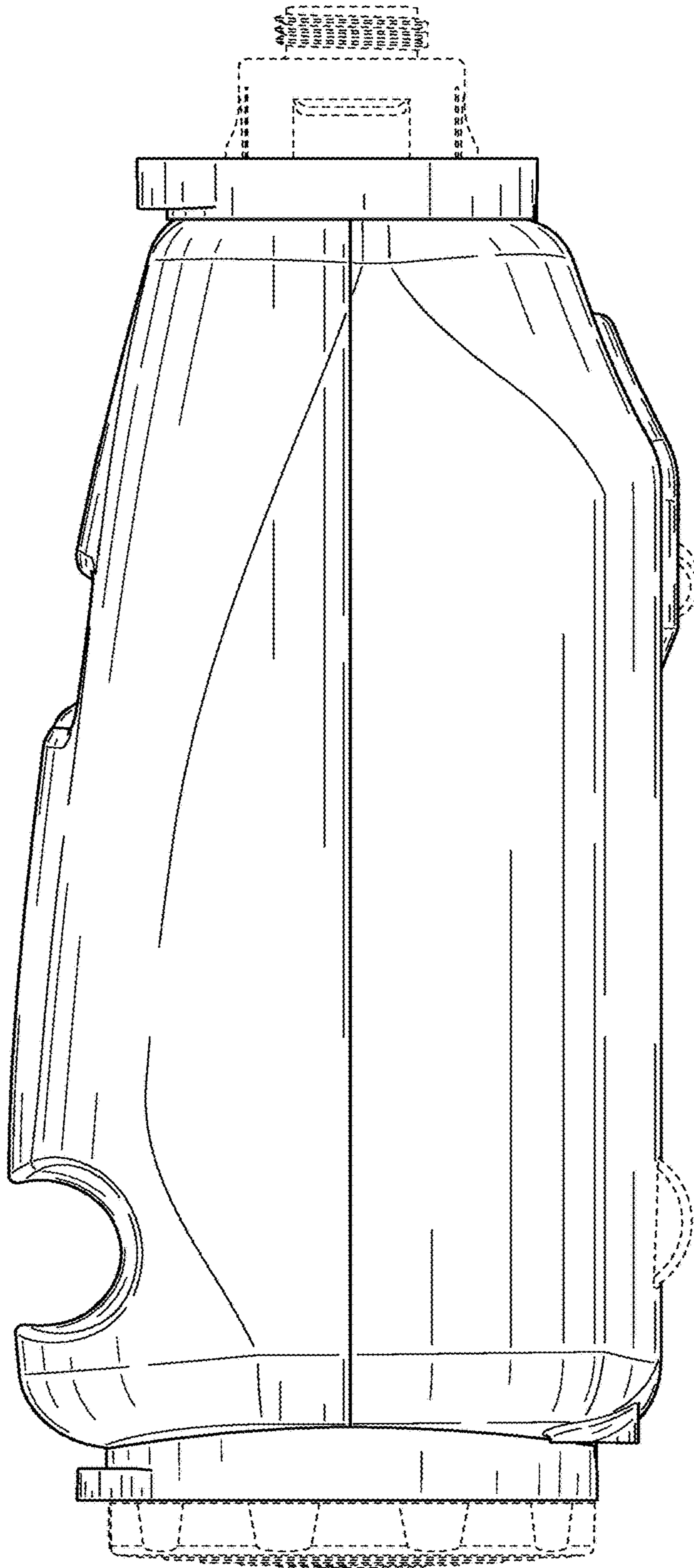


FIG. 12

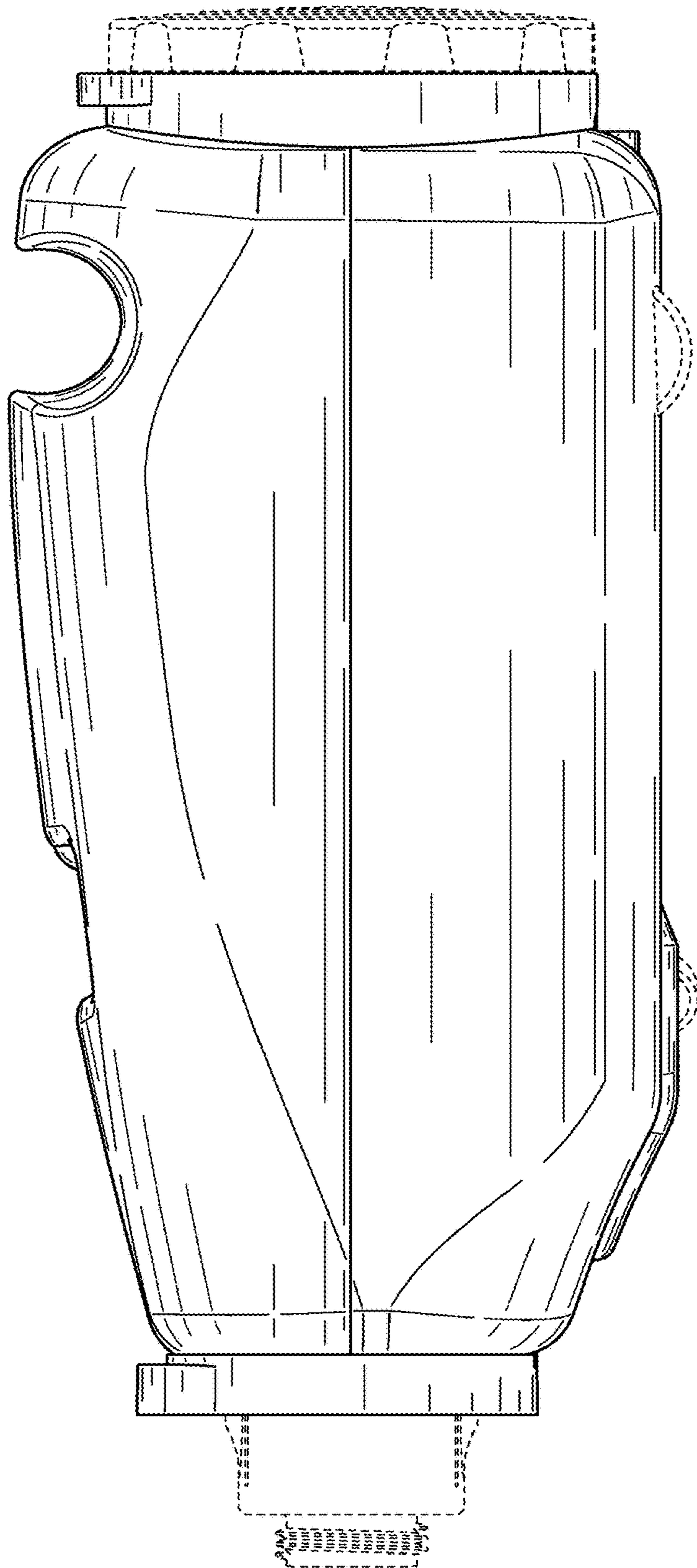


FIG. 13

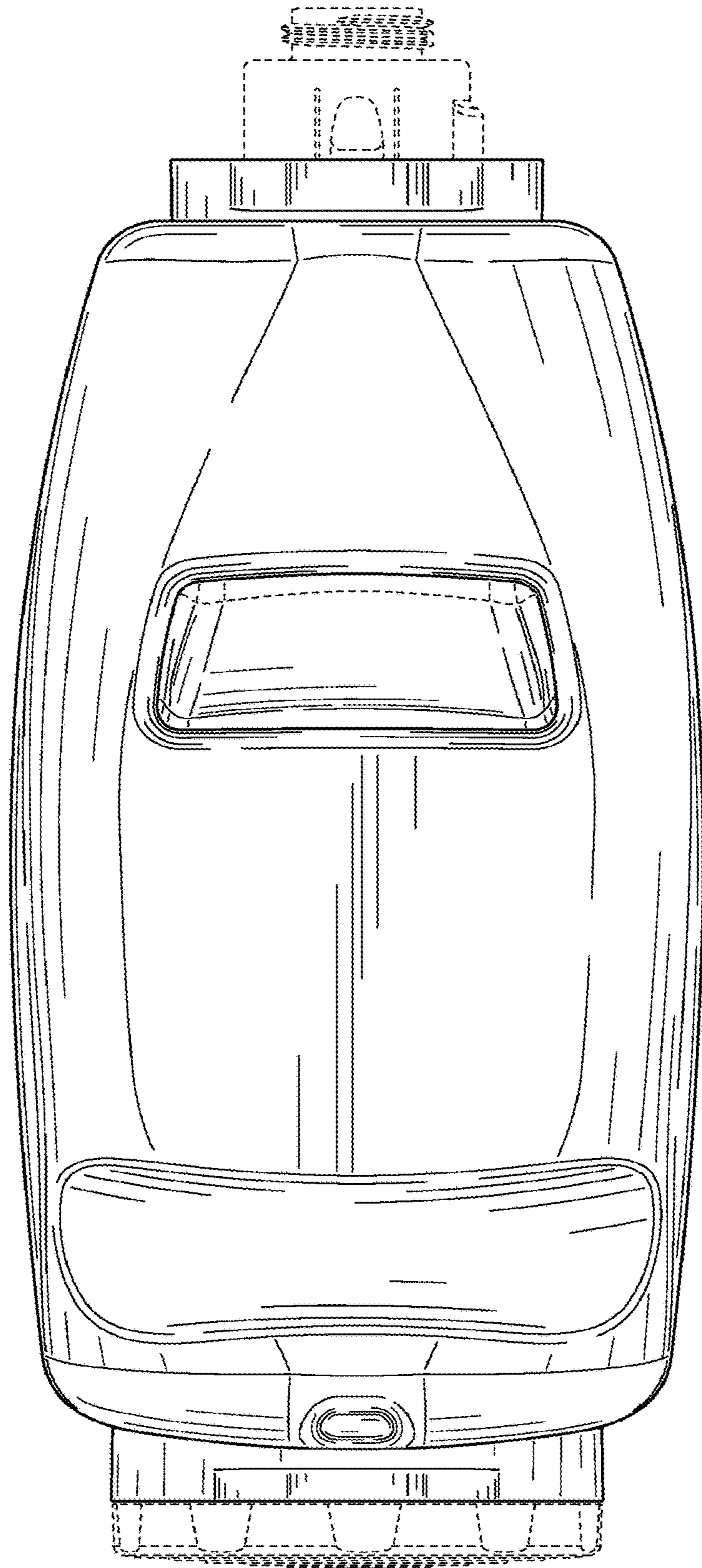


FIG. 14

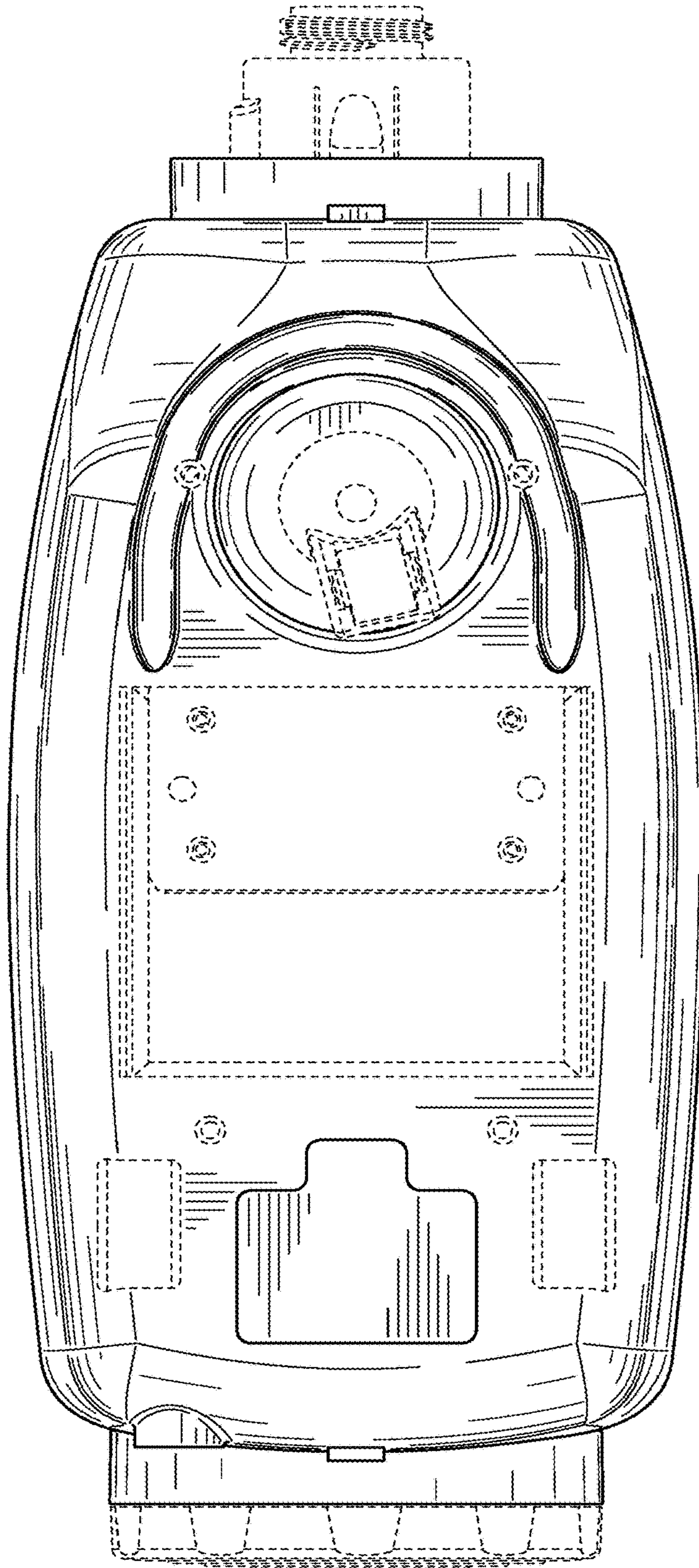


FIG. 15

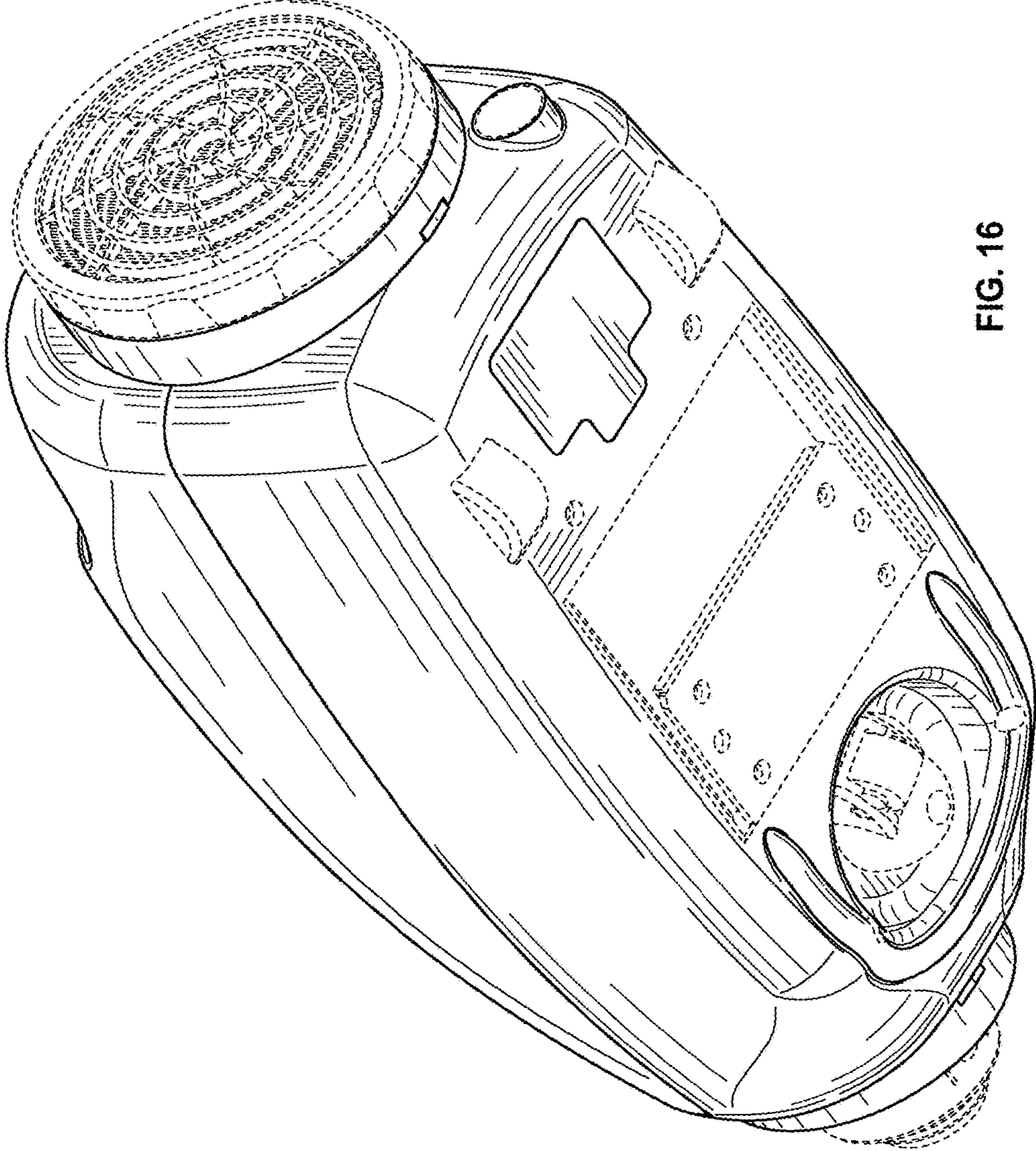


FIG. 16