



US00D830414S

(12) **United States Design Patent** (10) **Patent No.:** **US D830,414 S**
Raimondi et al. (45) **Date of Patent:** **** Oct. 9, 2018**

(54) **ROLLER ROCKER ARM OF AN ENGINE**

(56) **References Cited**

(71) Applicant: **EATON S.R.L.**, Torin (IT)
 (72) Inventors: **Emanuele Raimondi**, Torin (IT);
Alessio Lorenzon, Torin (IT); **Michele Cecchi**, Torin (IT); **Gianluca Tigani**, Torin (IT); **Gennaro Buonocore**, Torin (IT)

U.S. PATENT DOCUMENTS

5,452,694	A *	9/1995	Hara	F01L 1/267
					123/90.16
5,544,626	A *	8/1996	Diggs	F01L 1/185
					123/198 F
5,584,267	A *	12/1996	Muir	F01L 1/185
					123/198 F
6,314,926	B1 *	11/2001	Meneely	F01L 13/06
					123/320
6,321,705	B1 *	11/2001	Fernandez	F01L 1/185
					123/198 F
6,439,179	B2 *	8/2002	Hendriksma	F01L 1/18
					123/198 F

(73) Assignee: **Eaton S.R.L.**, Torin (IT)

(**) Term: **15 Years**

(21) Appl. No.: **35/501,721**

(22) Filed: **Jun. 10, 2016**

(80) **Hague Agreement Data**

Int. Filing Date: **Jun. 10, 2016**
 Int. Reg. No.: **DM/092823**
 Int. Reg. Date: **Jun. 10, 2016**
 Int. Reg. Pub. Date: **Oct. 14, 2016**

(30) **Foreign Application Priority Data**

Dec. 10, 2015 (EM) 002905158-0001
 Dec. 10, 2015 (EM) 002905158-0002
 Jan. 20, 2016 (EM) 002951921-0001

(51) **LOC (11) Cl.** **15-01**

(52) **U.S. Cl.**
 USPC **D15/5**
 CPC **F01L 1/24** (2013.01)

(58) **Field of Classification Search**
 USPC D15/1-5; 123/90.1-90.18, 90.39-90.47
 CPC F01L 1/24; F01L 1/18; F01L 1/053; F01L 1/185; F01L 2001/186; F01L 2001/187; F01L 2001/188; F01L 1/181; F01L 1/182
 See application file for complete search history.

(Continued)

Primary Examiner — Richard E Chilcot
 (74) *Attorney, Agent, or Firm* — Woodard Emhardt Moriarty McNett & Henry LLP

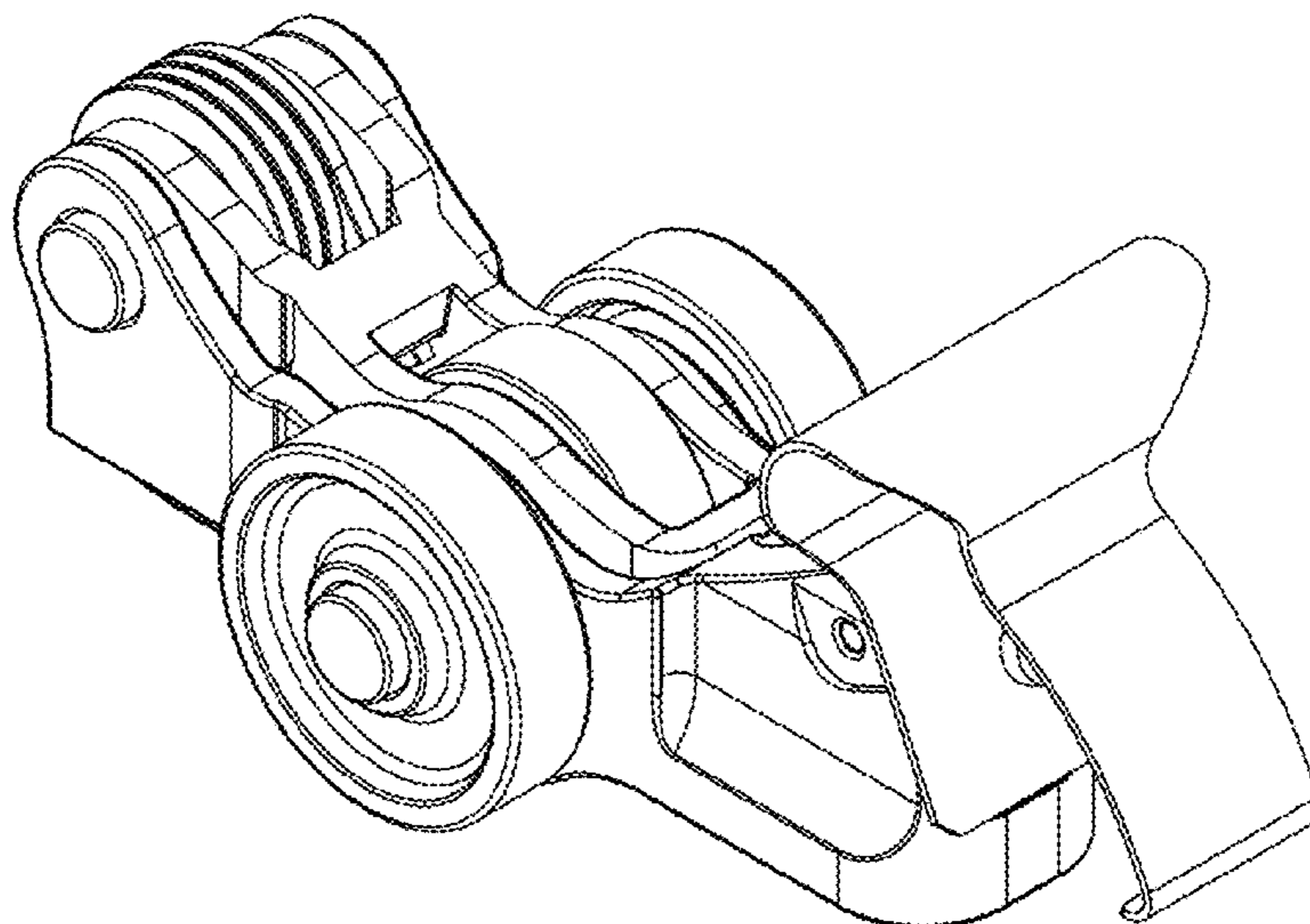
(57) **CLAIM**

The ornamental design for a roller rocker arm of an engine, as shown and described.

DESCRIPTION

FIG. 1.1 shows a front view of a roller rocker arm for an engine;
 FIG. 1.2 shows a back view of the roller rocker arm;
 FIG. 1.3 shows a top view of the roller rocker arm;
 FIG. 1.4 shows a right side view of the roller rocker arm;
 FIG. 1.5 shows a left side view of the roller rocker arm;
 FIG. 1.6 shows a top perspective view of the roller rocker arm; and
 FIG. 1.7 shows a bottom view of the roller rocker arm.

1 Claim, 7 Drawing Sheets



(56)

References Cited

U.S. PATENT DOCUMENTS

6,467,443 B1 *	10/2002	Tsuruta	F01L 1/267 123/90.12	7,677,213 B2 *	3/2010	Deierlein	F01L 1/185 123/90.16
6,532,920 B1 *	3/2003	Sweetnam	F01L 1/185 123/90.16	7,712,443 B2 *	5/2010	Gemein	F01L 1/185 123/90.16
6,615,782 B1 *	9/2003	Hendriksma	F01L 1/053 123/90.16	7,721,694 B2 *	5/2010	Fernandez	F01L 1/18 123/90.16
6,640,759 B1 *	11/2003	Hendriksma	F01L 1/053 123/90.16	7,798,113 B2 *	9/2010	Fischer	F01L 1/185 123/90.39
6,668,775 B2 *	12/2003	Harris	F01L 1/053 123/90.16	7,909,007 B2 *	3/2011	Manther	F01L 1/185 123/90.16
6,668,779 B2 *	12/2003	Hendriksma	F01L 1/182 123/90.16	7,934,477 B2 *	5/2011	Elnick	F01L 1/18 123/90.16
6,691,657 B2 *	2/2004	Hendriksma	F01L 1/053 123/90.16	8,006,657 B2 *	8/2011	Riley	F01L 13/0021 123/90.11
6,769,387 B2 *	8/2004	Hayman	F01L 1/185 123/90.39	8,056,523 B2 *	11/2011	Ha	F01L 1/185 123/90.12
6,901,894 B2 *	6/2005	Haas	F01L 1/182 123/198 F	8,146,552 B2 *	4/2012	Seitz	F01L 13/0005 123/90.39
6,925,978 B1 *	8/2005	Gerzseny	F01L 1/18 123/90.16	8,151,763 B2 *	4/2012	Meistrick	F01L 1/185 123/321
6,966,291 B1 *	11/2005	Fischer	F01L 1/185 123/90.16	8,215,275 B2 *	7/2012	Church	F01L 1/185 123/90.16
6,976,461 B2 *	12/2005	Rorig	F01L 13/0005 123/90.15	8,251,032 B2 *	8/2012	Manther	F01L 1/185 123/90.16
6,997,152 B2 *	2/2006	Harris	F01L 1/053 123/90.16	8,267,059 B2 *	9/2012	Manther	F01L 1/185 123/90.16
7,093,572 B2 *	8/2006	Hendriksma	F01L 1/18 123/90.15	8,297,243 B2 *	10/2012	Kang	F01L 1/185 123/90.15
7,174,869 B2 *	2/2007	Proschko	F01L 1/185 123/90.39	8,312,851 B2 *	11/2012	Heinemann	F01L 1/185 123/90.39
7,240,652 B2 *	7/2007	Roerig	F01L 1/185 123/90.16	8,393,308 B2 *	3/2013	Kang	F01L 1/185 123/90.16
7,278,384 B2 *	10/2007	Fernandez	F01L 1/185 123/90.15	8,434,440 B2 *	5/2013	Manther	F01L 13/0021 123/90.16
7,305,951 B2 *	12/2007	Fernandez	F01L 1/185 123/90.2	8,474,425 B2 *	7/2013	Kirbach	F01L 1/185 123/90.39
7,328,675 B2 *	2/2008	Seitz	F01L 1/185 123/90.39	8,479,694 B2 *	7/2013	Manther	F01L 1/185 123/90.16
7,377,247 B2 *	5/2008	Seitz	F01L 1/185 123/90.16	8,528,508 B2 *	9/2013	Meistrick	F01L 1/08 123/90.16
7,444,967 B2 *	11/2008	Kido	F01L 1/181 123/198 F	8,555,835 B2 *	10/2013	Patzold	F01L 1/185 123/90.16
D587,284 S *	2/2009	Stopanio	D15/5	8,607,753 B2 *	12/2013	Krause	F01L 1/185 123/90.44
7,503,300 B2 *	3/2009	Seitz	F01L 1/185 123/90.16	8,627,796 B2 *	1/2014	Harman	F01L 1/185 123/90.16
7,533,642 B2 *	5/2009	Proschko	F01L 1/185 123/90.16	8,677,958 B2 *	3/2014	Becker	F01L 1/185 123/90.16
7,546,822 B2 *	6/2009	Murphy	F01L 1/18 123/90.16	8,726,862 B2 *	5/2014	Zurface	F01L 1/185 123/90.15
7,565,887 B2 *	7/2009	Tsuruta	F01L 1/267 123/90.16	8,726,863 B2 *	5/2014	Meistrick	F01L 1/08 123/90.15
7,603,972 B2 *	10/2009	Han	F01L 1/267 123/90.15	8,733,311 B2 *	5/2014	Manther	F01L 1/185 123/90.16
7,661,400 B2 *	2/2010	Seitz	F01L 1/185 123/90.39	8,807,101 B2 *	8/2014	Choi	F01L 1/185 123/90.12
7,673,606 B2 *	3/2010	Ng	F01L 1/18 123/90.16	8,955,481 B2 *	2/2015	Manther	F01L 1/185 123/90.39
				D750,670 S *	3/2016	McCarthy, Jr.	D15/5
				D791,190 S *	7/2017	McCarthy, Jr.	D15/5

* cited by examiner

Fig. 1.1

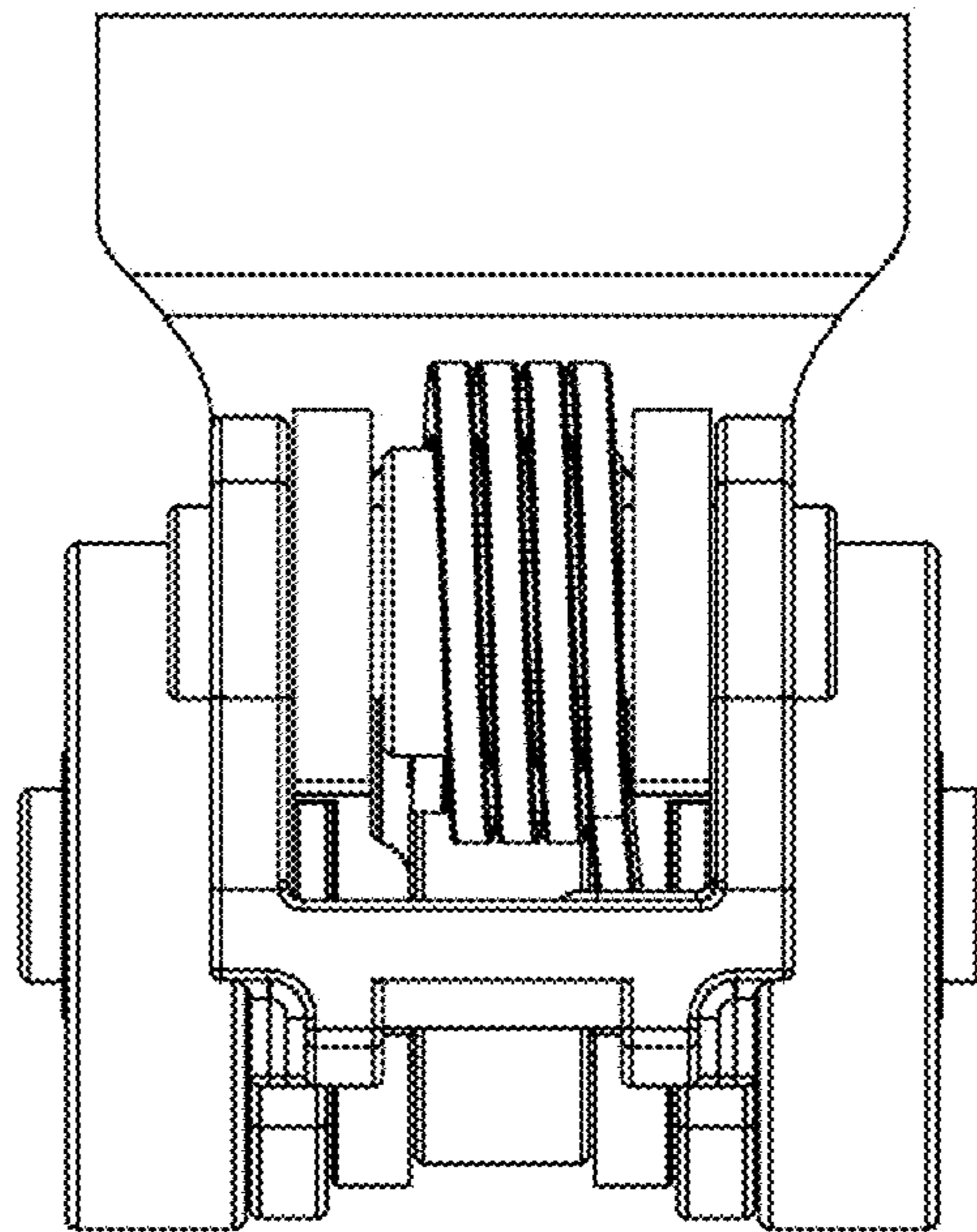


Fig. 1.2

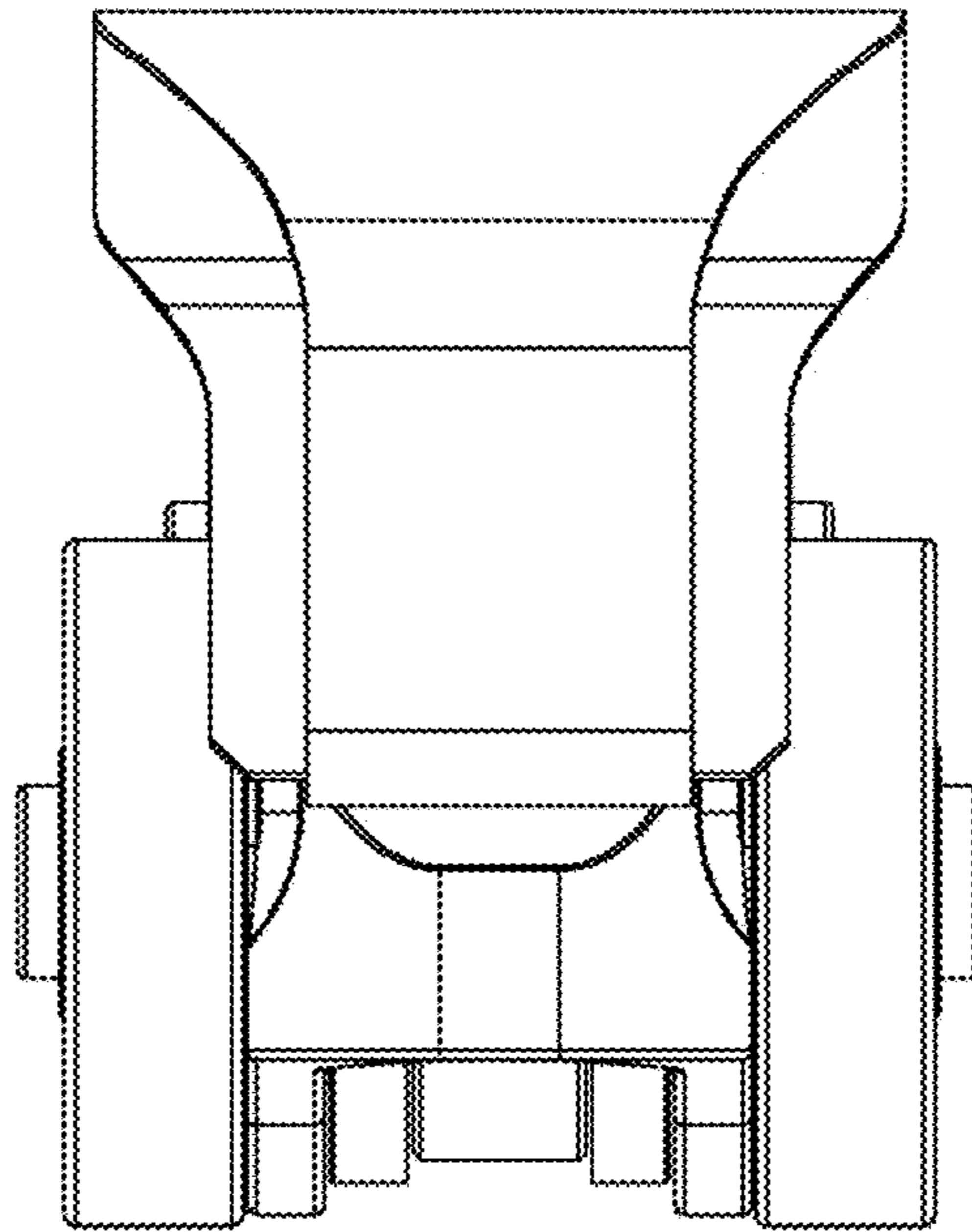


Fig. 1.3

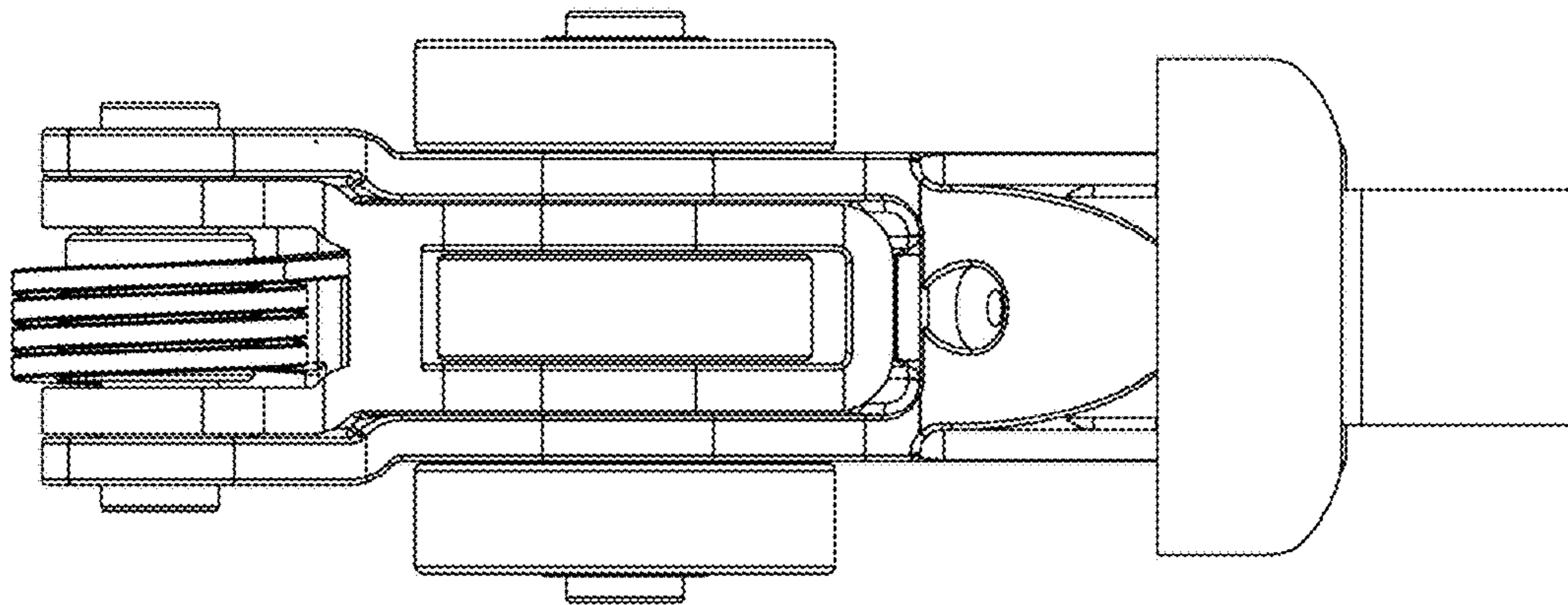


Fig. 1.4

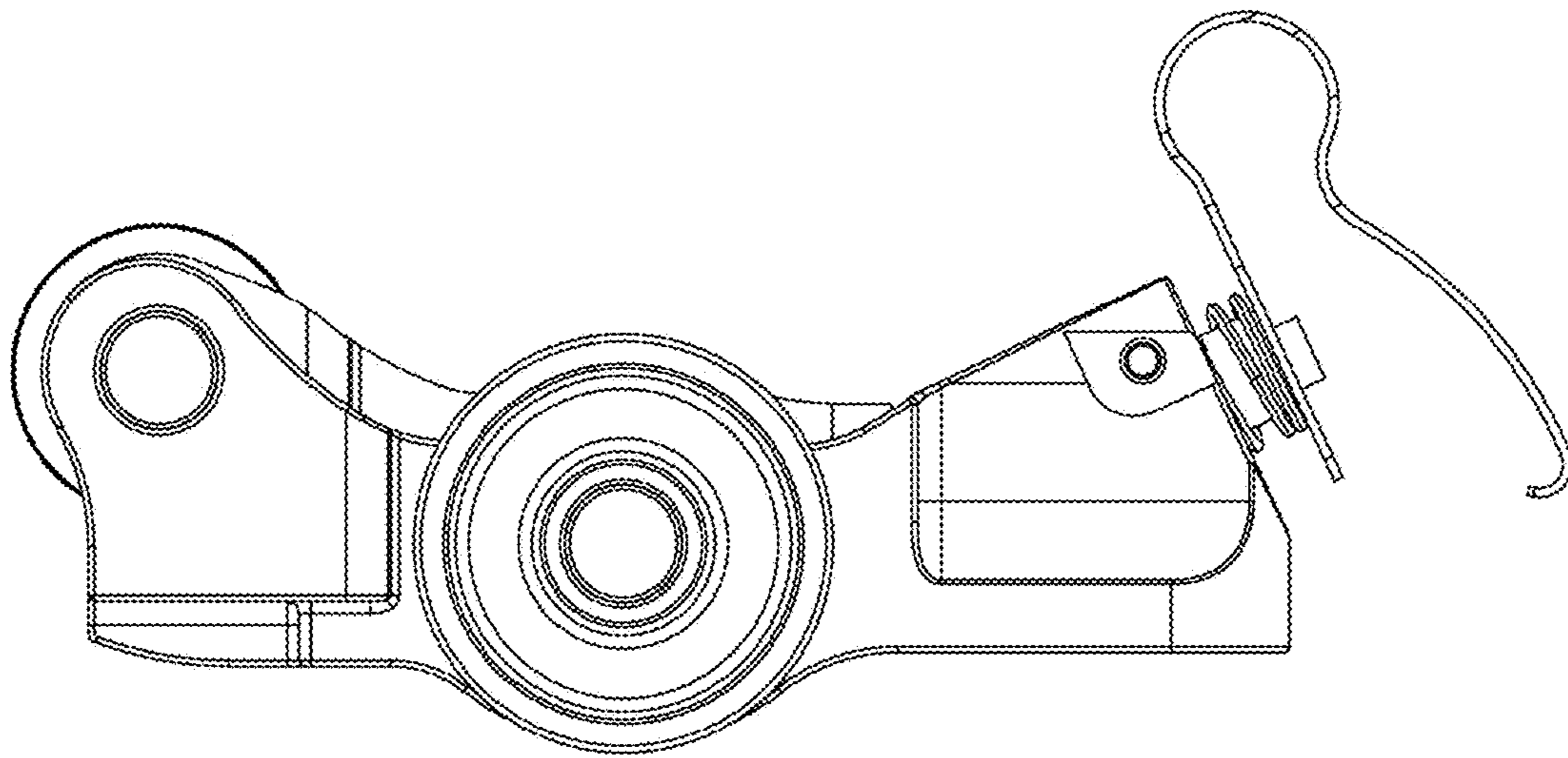


Fig. 1.5

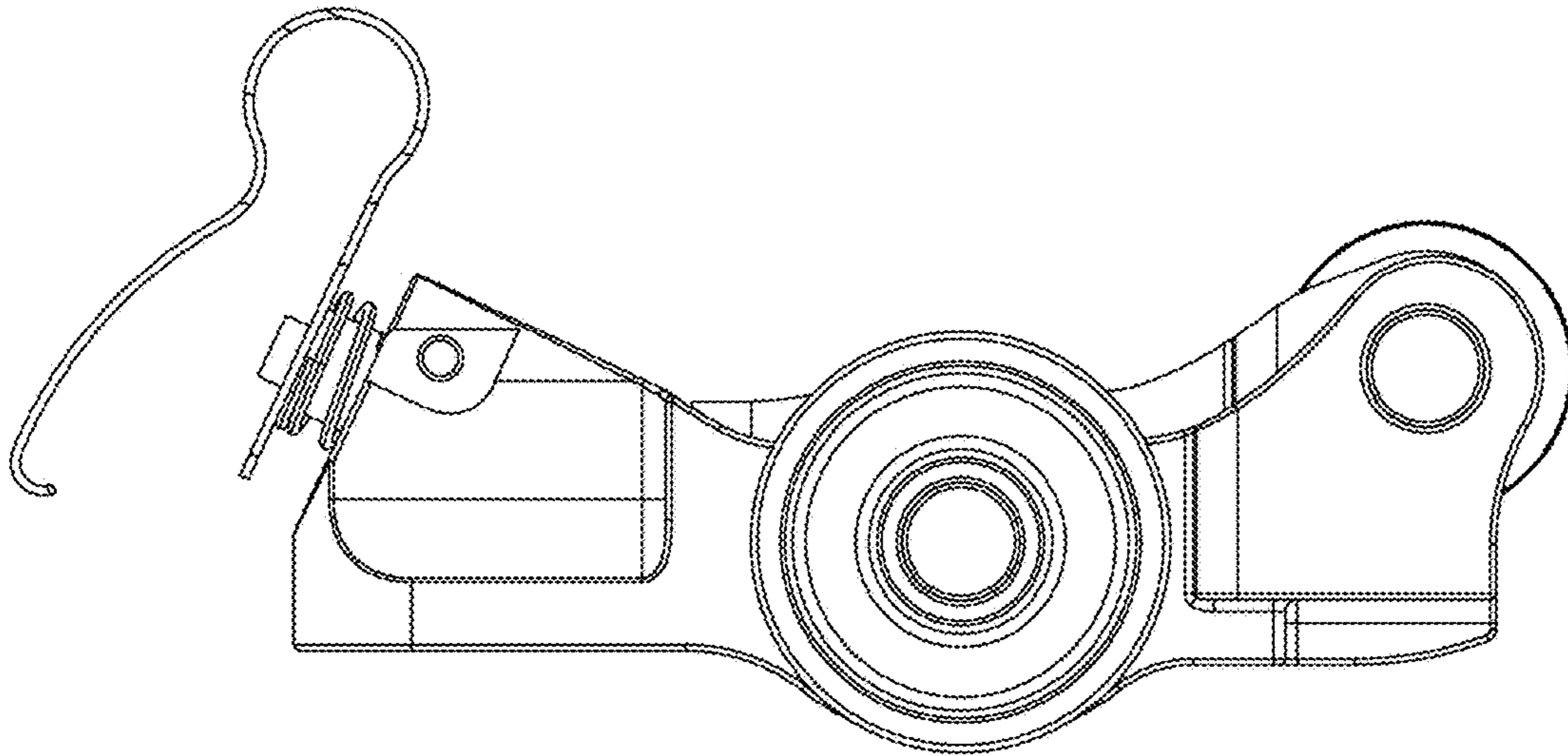


Fig. 1.6

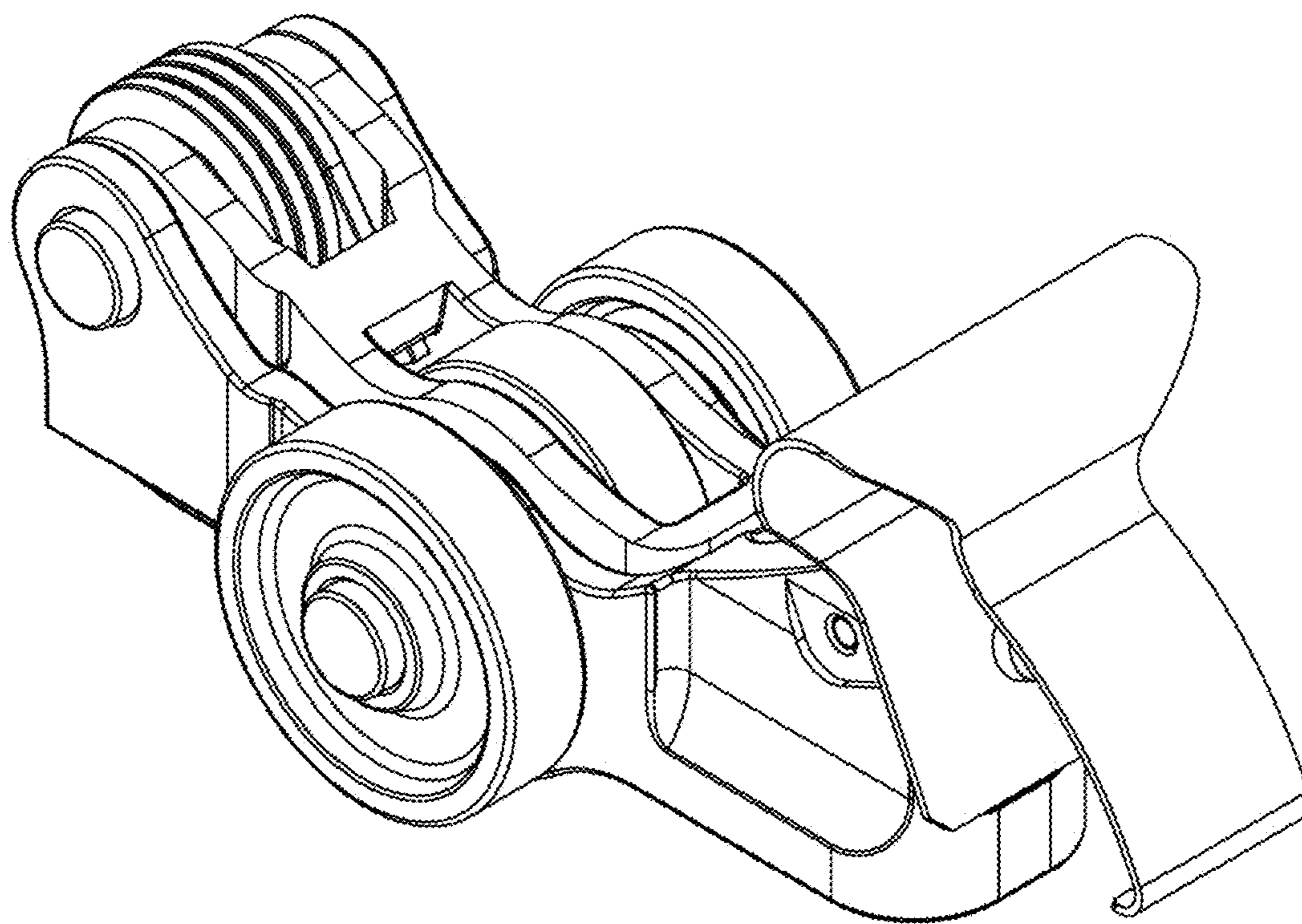


Fig. 1.7

