



US00D830387S

(12) **United States Design Patent**
Day

(10) **Patent No.:** **US D830,387 S**

(45) **Date of Patent:** **** Oct. 9, 2018**

(54) **DISPLAY SCREEN WITH GRAPHICAL USER INTERFACE FOR A HEALTHCARE COMMAND CENTER COMPUTING SYSTEM**

(71) Applicant: **General Electric Company,**
Schenectady, NY (US)

(72) Inventor: **Andrew Day,** Newtown, PA (US)

(73) Assignee: **General Electric Company,**
Schenectady, NY (US)

D765,122	S	*	8/2016	Walters	H04L 65/403
						D14/486
D770,485	S	*	11/2016	Olsson	D14/486
D776,143	S	*	1/2017	Makowski	D14/486
D781,910	S	*	3/2017	Day	D14/488
D785,040	S	*	4/2017	Day	D14/488
D790,572	S	*	6/2017	Subramanian	D14/486
D810,122	S	*	2/2018	McClellan	D14/488
2009/0319924	A1	*	12/2009	Slone	G06F 8/34
						715/762
2010/0175010	A1	*	7/2010	Jeyabalan	H04L 41/22
						715/769

(Continued)

(**) Term: **15 Years**

(21) Appl. No.: **29/580,386**

(22) Filed: **Oct. 7, 2016**

(51) **LOC (11) Cl.** **14-04**

(52) **U.S. Cl.**
USPC **D14/486**

(58) **Field of Classification Search**
USPC D14/485-488
CPC .. A61B 5/02; A61B 8/46; G06F 19/34; G06F
19/3418; G06F 19/3406; G06T
2207/30004
See application file for complete search history.

(56) **References Cited**

U.S. PATENT DOCUMENTS

D553,636	S	*	10/2007	Blencowe	D14/486
D602,496	S	*	10/2009	Takano	D14/486
D683,355	S	*	5/2013	Ridl	D14/486
D735,743	S	*	8/2015	Kanenari	D14/486
D736,228	S	*	8/2015	Danielyan	D14/486
D736,233	S	*	8/2015	Kanenari	D14/486
D737,293	S	*	8/2015	Kanenari	D14/486
D749,112	S	*	2/2016	Coburn	D14/486
D751,106	S	*	3/2016	Chetan	D14/486
D753,167	S	*	4/2016	Yu	D14/486
D754,684	S	*	4/2016	Mitti	D14/485

OTHER PUBLICATIONS

Fullman, P, and D Evans, A More Holistic Approach, Sep. 18, 2013, pm360online [online], [site visited Aug. 30, 2017]. Available from Internet: <https://www.pm360online.com/a-more-holistic-approach-to-the-patient-journey/>.*

Primary Examiner — Karen E Kearney

Assistant Examiner — Katherine A Holbrow

(74) *Attorney, Agent, or Firm* — McCoy Russell LLP

(57) **CLAIM**

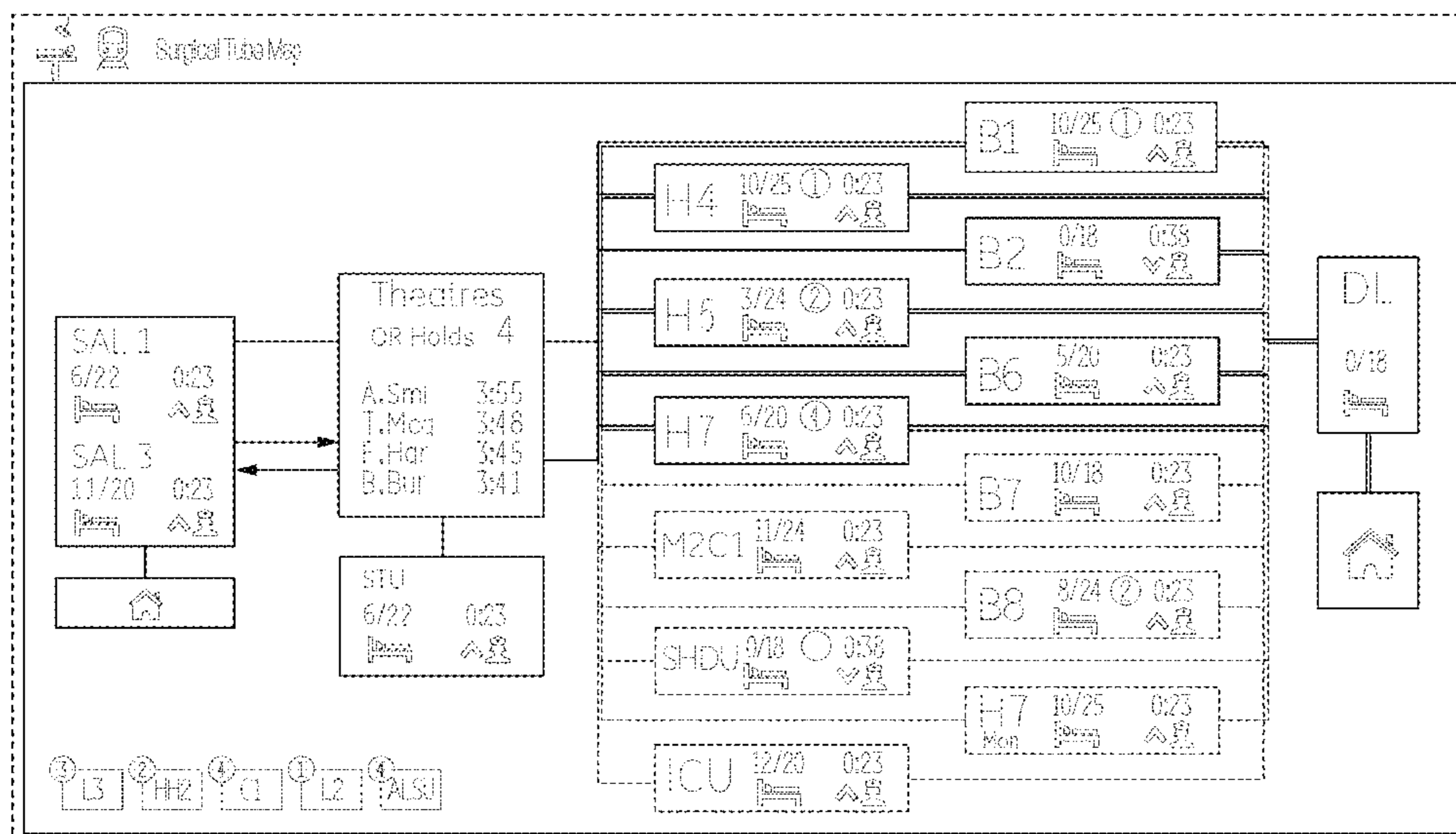
The ornamental design for a display screen with graphical user interface for a healthcare command center computing system, as shown and described.

DESCRIPTION

The FIGURE is a front view of a design for a display screen with graphical user interface for a healthcare command center computing system showing the new design.

The outermost rectangular broken line showing the display screen and all other broken lines showing portions of the graphical user interface are included for the purpose of illustrating portions of the article and environmental structure and form no part of the claimed design.

1 Claim, 1 Drawing Sheet



(56)

References Cited

U.S. PATENT DOCUMENTS

2011/0093799 A1* 4/2011 Hatambeiki G08C 17/02
715/763
2015/0186950 A1* 7/2015 Benaiah G06Q 30/0269
705/14.45
2015/0227960 A1* 8/2015 Chetan G06Q 30/0242
705/14.41

* cited by examiner

