



US00D830379S

(12) **United States Design Patent**
Li et al.

(10) **Patent No.:** **US D830,379 S**
(45) **Date of Patent:** **** Oct. 9, 2018**

(54) **DISPLAY SCREEN WITH TRANSITIONAL GRAPHICAL USER INTERFACE**

(71) Applicant: **SHENZHEN ROYOLE TECHNOLOGIES CO. LTD.**,
Shenzhen (CN)

(72) Inventors: **Jinxin Li**, Shenzhen (CN); **Yan Zhan**,
Shenzhen (CN); **Yiqi Wang**, Shenzhen
(CN); **Liping Zheng**, Shenzhen (CN);
Peichen Xu, Shenzhen (CN)

(73) Assignee: **SHENZHEN ROYOLE TECHNOLOGIES CO., LTD.**,
Shenzhen (CN)

(**) Term: **15 Years**

(21) Appl. No.: **29/597,084**

(22) Filed: **Mar. 14, 2017**

(30) **Foreign Application Priority Data**

Sep. 14, 2016 (CN) 2016 3 0472162

(51) **LOC (11) Cl.** **14-04**

(52) **U.S. Cl.**
USPC **D14/485**

(58) **Field of Classification Search**
USPC D14/485-495
CPC G06T 13/00; G06T 13/80; G06F 3/04845;
G06F 3/0482; H04N 1/00196
See application file for complete search history.

(56) **References Cited**

U.S. PATENT DOCUMENTS

6,198,483 B1 * 3/2001 Launais G06F 3/0481
715/781
7,107,549 B2 * 9/2006 Deaton G06F 3/04815
707/E17.111

D681,666 S * 5/2013 Donahue D14/488
D687,054 S * 7/2013 Rodenhouse D14/486
D697,079 S * 1/2014 Yuk D14/488
D722,321 S * 2/2015 Lee D14/486
D728,601 S * 5/2015 Angelides D14/486
D733,162 S * 6/2015 Aoshima D14/485
D739,866 S * 9/2015 Urdan D14/486
D749,099 S * 2/2016 Moon D14/486
D752,634 S * 3/2016 Yoon D14/488
D753,146 S * 4/2016 Kim D14/485
D754,148 S * 4/2016 Yoon D14/485
D754,157 S * 4/2016 Moon D14/485
D761,285 S * 7/2016 Kim D14/486

(Continued)

Primary Examiner — Richelle G Shelton

(74) *Attorney, Agent, or Firm* — Hauptman Ham, LLP

(57) **CLAIM**

The ornamental design for a display screen with transitional graphical user interface, as shown and described.

DESCRIPTION

FIG. 1 is a first image of the display screen with transitional graphical user interface in accordance with the present invention;

FIG. 2 is a second image of the display screen with transitional graphical user interface depicted in FIG. 1;

FIG. 3 is a third image of the display screen with transitional graphical user interface depicted in FIG. 1;

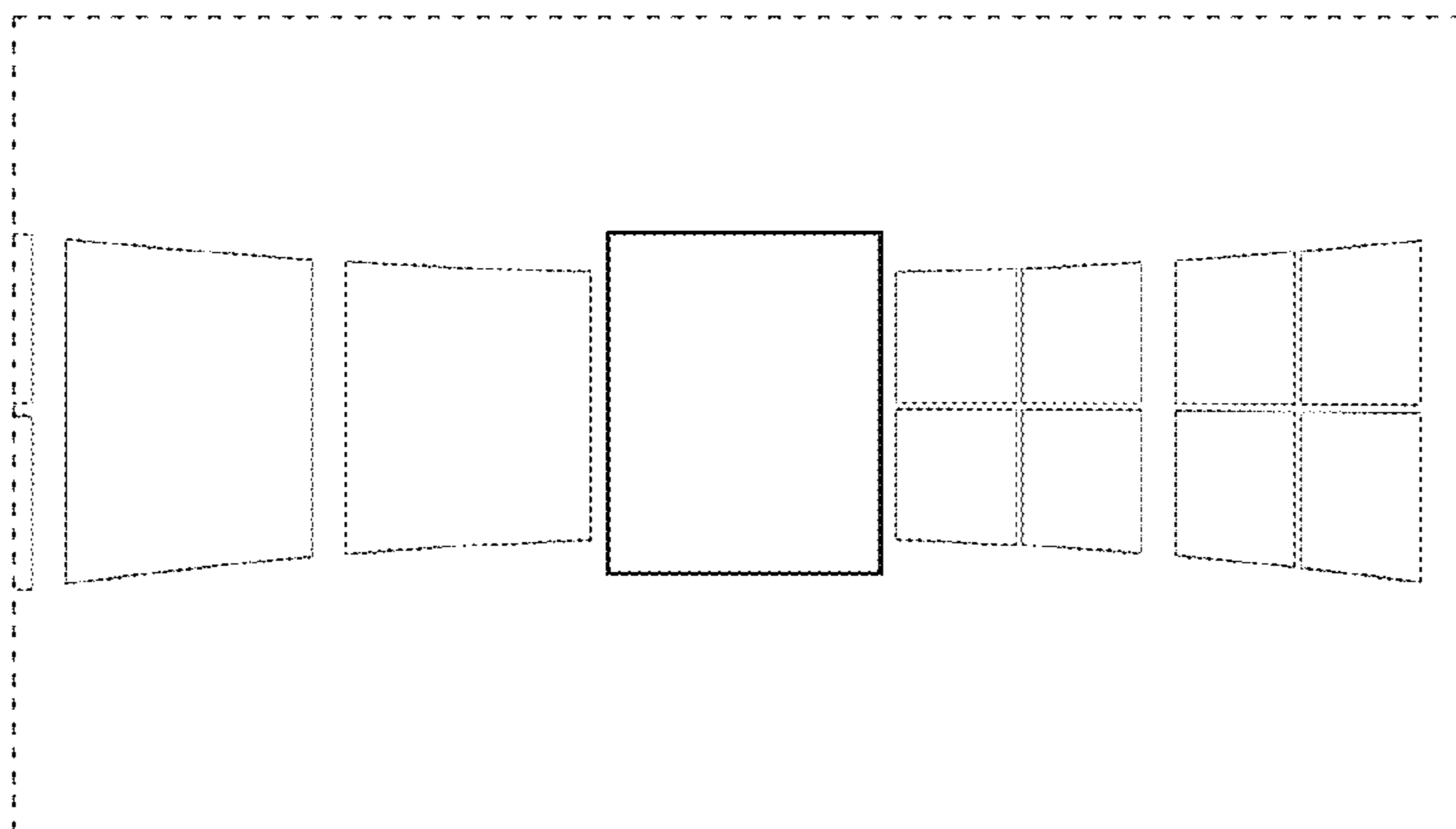
FIG. 4 is a fourth image of the display screen with transitional graphical user interface depicted in FIG. 1; and,

FIG. 5 is a fifth image of the display screen with transitional graphical user interface depicted in FIG. 1.

The broken lines illustrate the display screen and foam no part of the claimed design.

The appearance of the transitional image sequentially transitions between the images shown in FIGS. 1-5. The process or period in which one image transitions to another forms no part of the claimed design.

1 Claim, 3 Drawing Sheets



(56)

References Cited

U.S. PATENT DOCUMENTS

2005/0278656 A1* 12/2005 Goldthwaite G06F 17/30749
715/810
2010/0131294 A1* 5/2010 Venon G06F 19/321
705/3
2013/0328888 A1* 12/2013 Beaver G06T 13/80
345/473

* cited by examiner

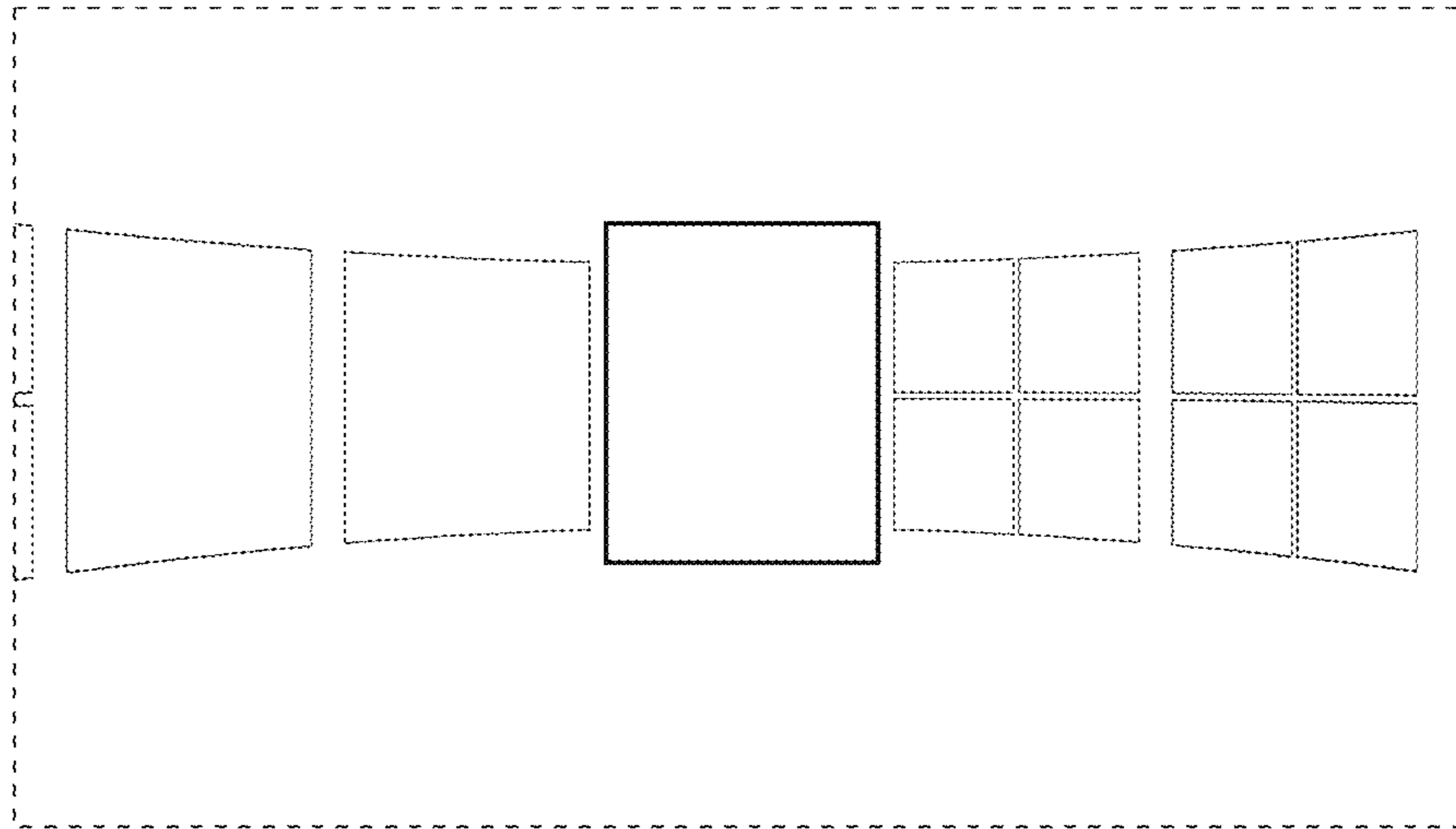


FIG.1

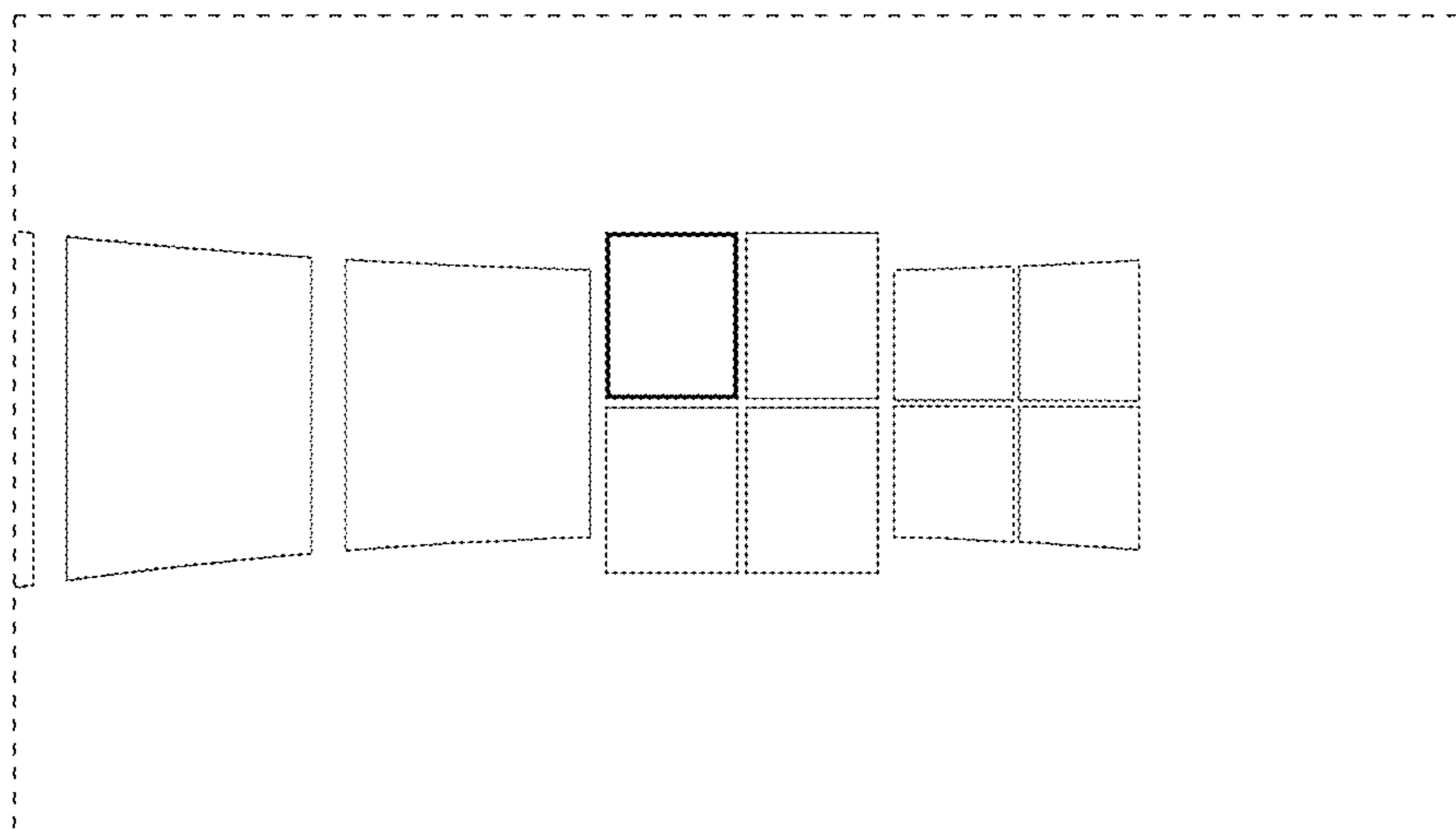


FIG.2

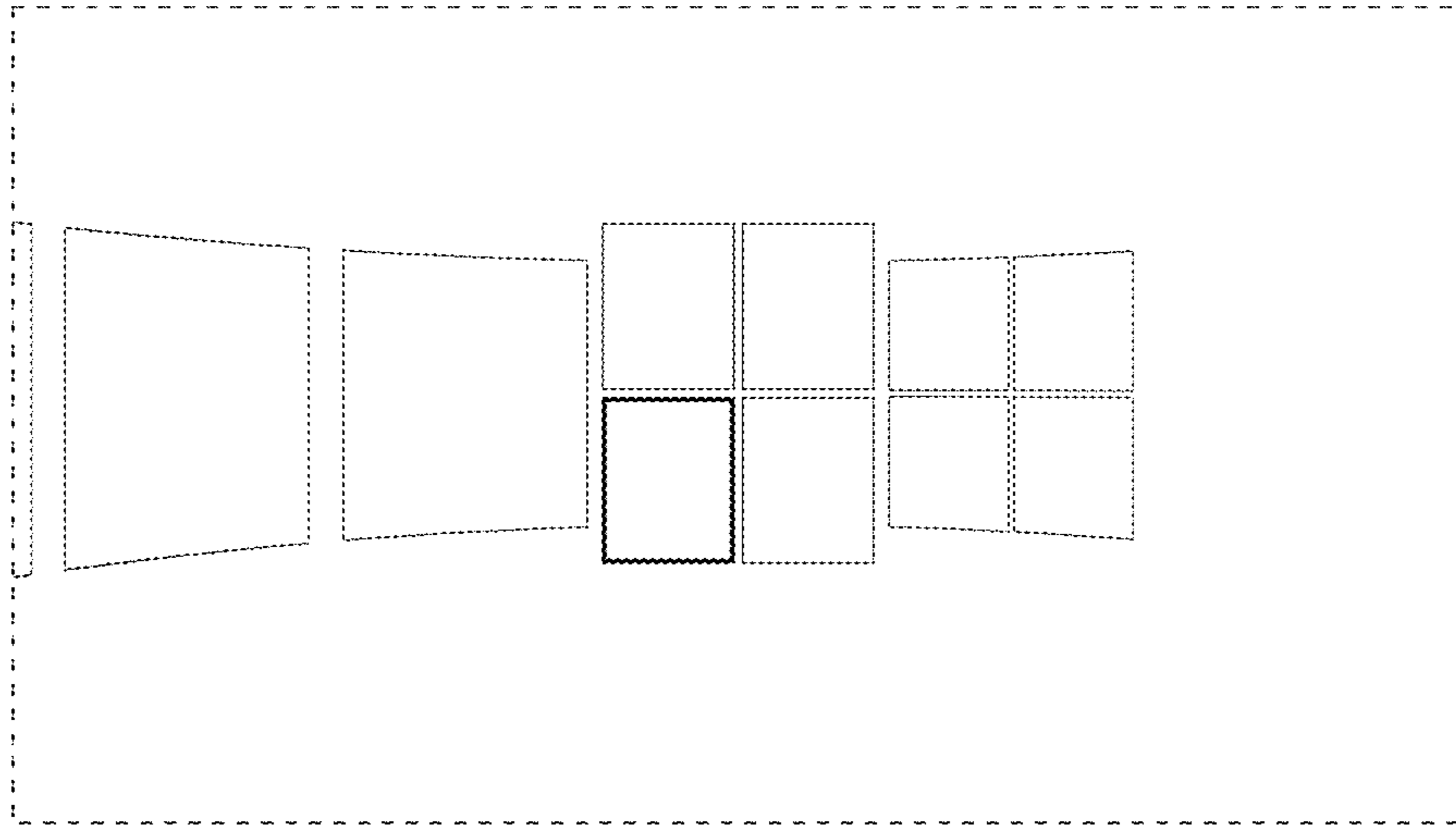


FIG.3

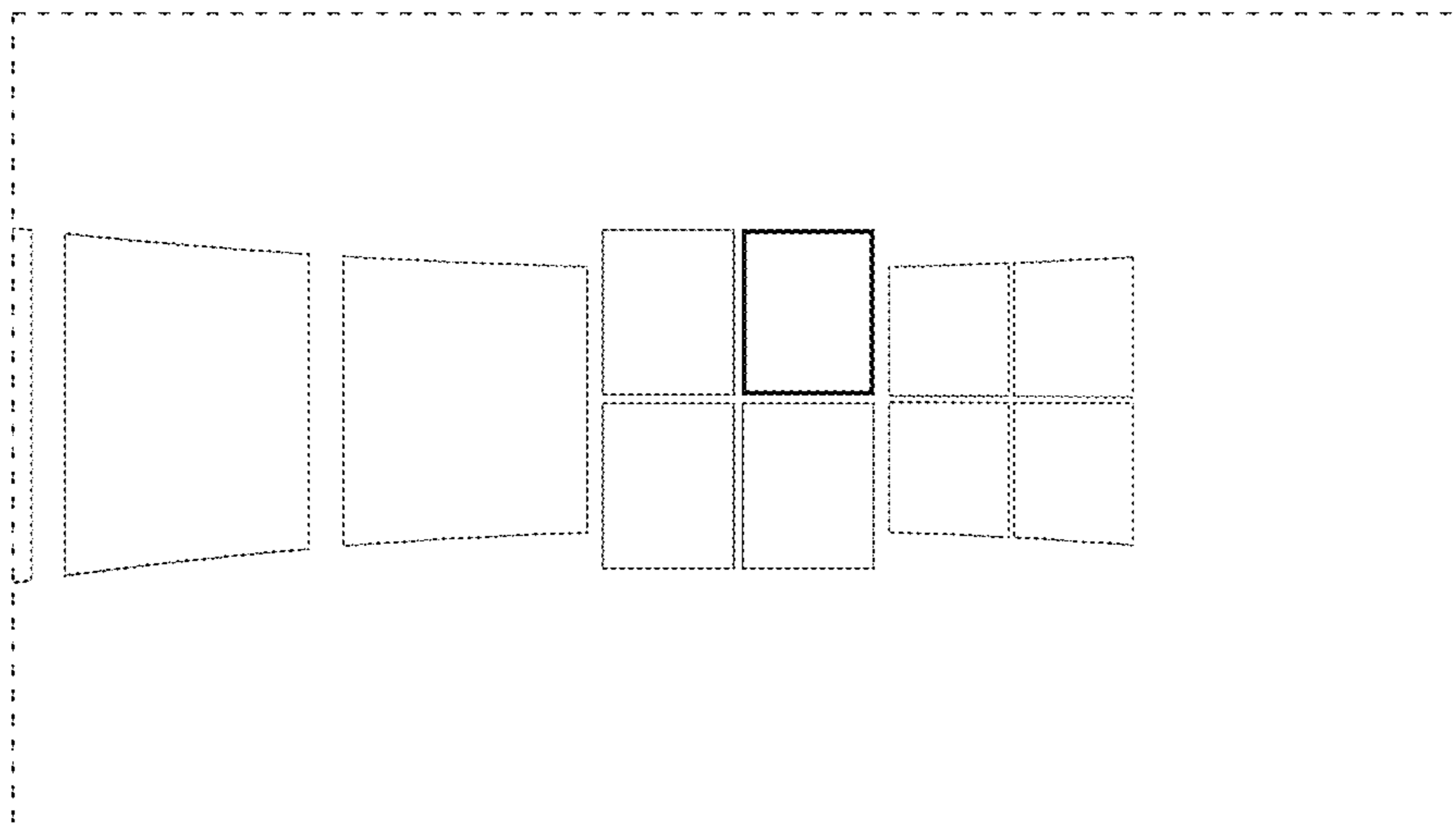


FIG.4

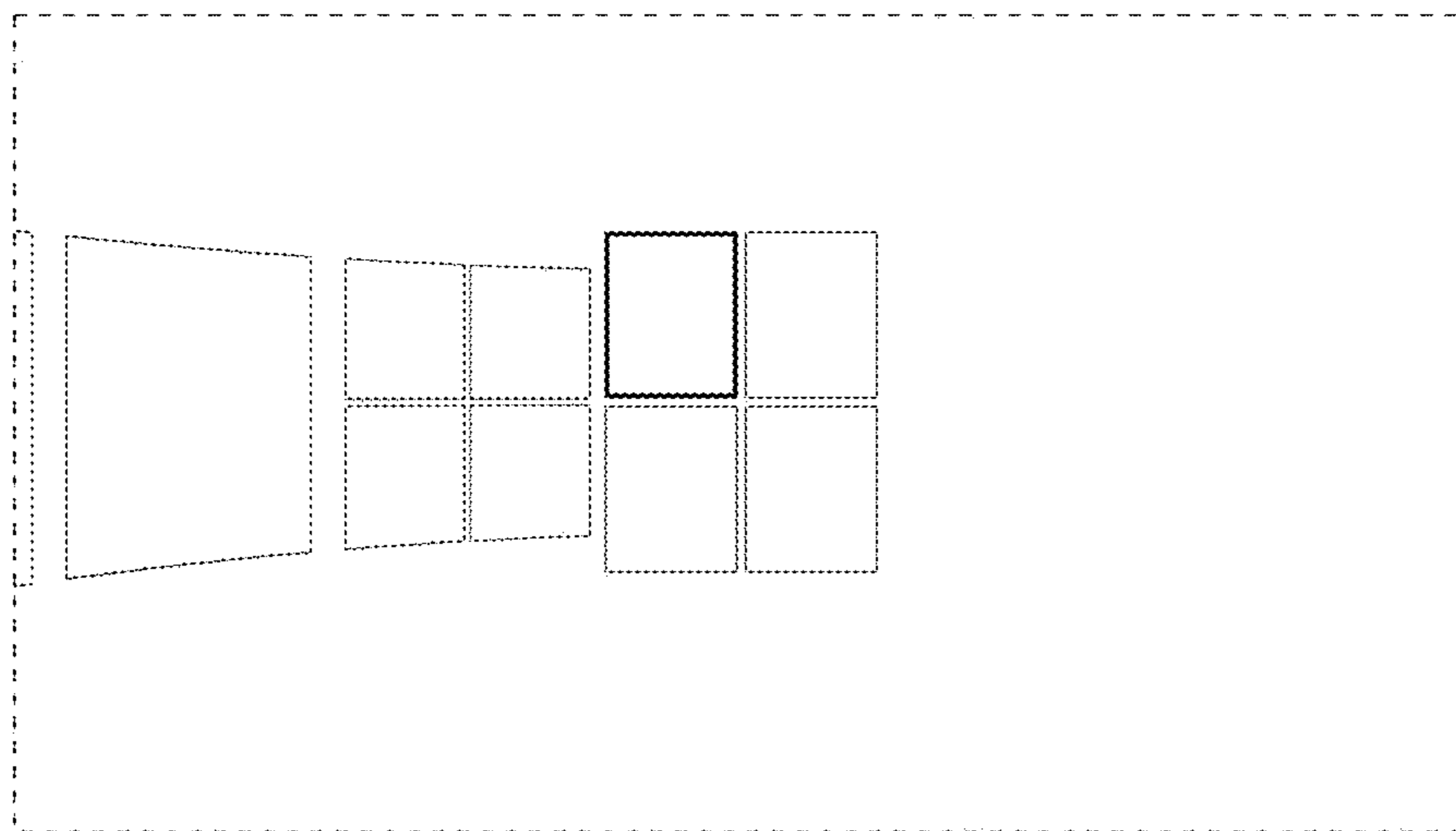


FIG.5