



US00D830378S

(12) **United States Design Patent**
Li et al.

(10) **Patent No.:** **US D830,378 S**
(45) **Date of Patent:** **** Oct. 9, 2018**

(54) **DISPLAY SCREEN WITH TRANSITIONAL GRAPHICAL USER INTERFACE**

Primary Examiner — Richelle G Shelton

(74) *Attorney, Agent, or Firm* — Hauptman Ham, LLP

(71) Applicant: **SHENZHEN ROYOLE TECHNOLOGIES CO. LTD.**,
Shenzhen (CN)

(57) **CLAIM**

The ornamental design for a display screen with transitional graphical user interface, as shown and described.

(72) Inventors: **Jinxin Li**, Shenzhen (CN); **Yan Zhan**,
Shenzhen (CN); **Yiqi Wang**, Shenzhen (CN); **Liping Zheng**,
Shenzhen (CN); **Liping Zheng**, Shenzhen (CN); **Peichen Xu**,
Shenzhen (CN); **Duanjun Li**, Shenzhen (CN); **Shiping Peng**,
Shenzhen (CN); **Jiaming Niu**, Shenzhen (CN)

DESCRIPTION

(73) Assignee: **SHENZHEN ROYOLE TECHNOLOGIES CO., LTD.**,
Shenzhen (CN)

FIG. 1 is a first image of the display screen with transitional graphical user interface in accordance with a first embodiment of the present invention;

FIG. 2 is a second image of the display screen with transitional graphical user interface depicted in FIG. 1;

FIG. 3 is a third image of the display screen with transitional graphical user interface depicted in FIG. 1;

FIG. 4 is a fourth image of the display screen with transitional graphical user interface depicted in FIG. 1;

FIG. 5 is a fifth image of the display screen with transitional graphical user interface depicted in FIG. 1;

FIG. 6 is a first image of the display screen with transitional graphical user interface in accordance with a second embodiment of the present invention;

FIG. 7 is a second image of the display screen with transitional graphical user interface depicted in FIG. 6;

The third image of the display screen with transitional graphical user interface depicted in FIG. 1 is the same as FIG. 3.

FIG. 8 is a fourth image of the display screen with transitional graphical user interface depicted in FIG. 6; and,

FIG. 9 is a fifth image of the display screen with transitional graphical user interface depicted in FIG. 6.

The broken lines illustrate the display screen and form no part of the claimed design.

The appearance of the transitional image sequentially transitions between the images shown in FIGS. 1-5 or in FIGS. 6, 7, 3, 8 and 9. The process or period in which one image transitions to another forms no part of the claimed design.

(**) Term: **15 Years**

(21) Appl. No.: **29/597,074**

(22) Filed: **Mar. 14, 2017**

(30) **Foreign Application Priority Data**

Sep. 14, 2016 (CN) 2016 3 0472039

(51) **LOC (11) Cl.** **14-04**

(52) **U.S. Cl.**
USPC **D14/485**

(58) **Field of Classification Search**
USPC D14/485-495

(Continued)

(56) **References Cited**

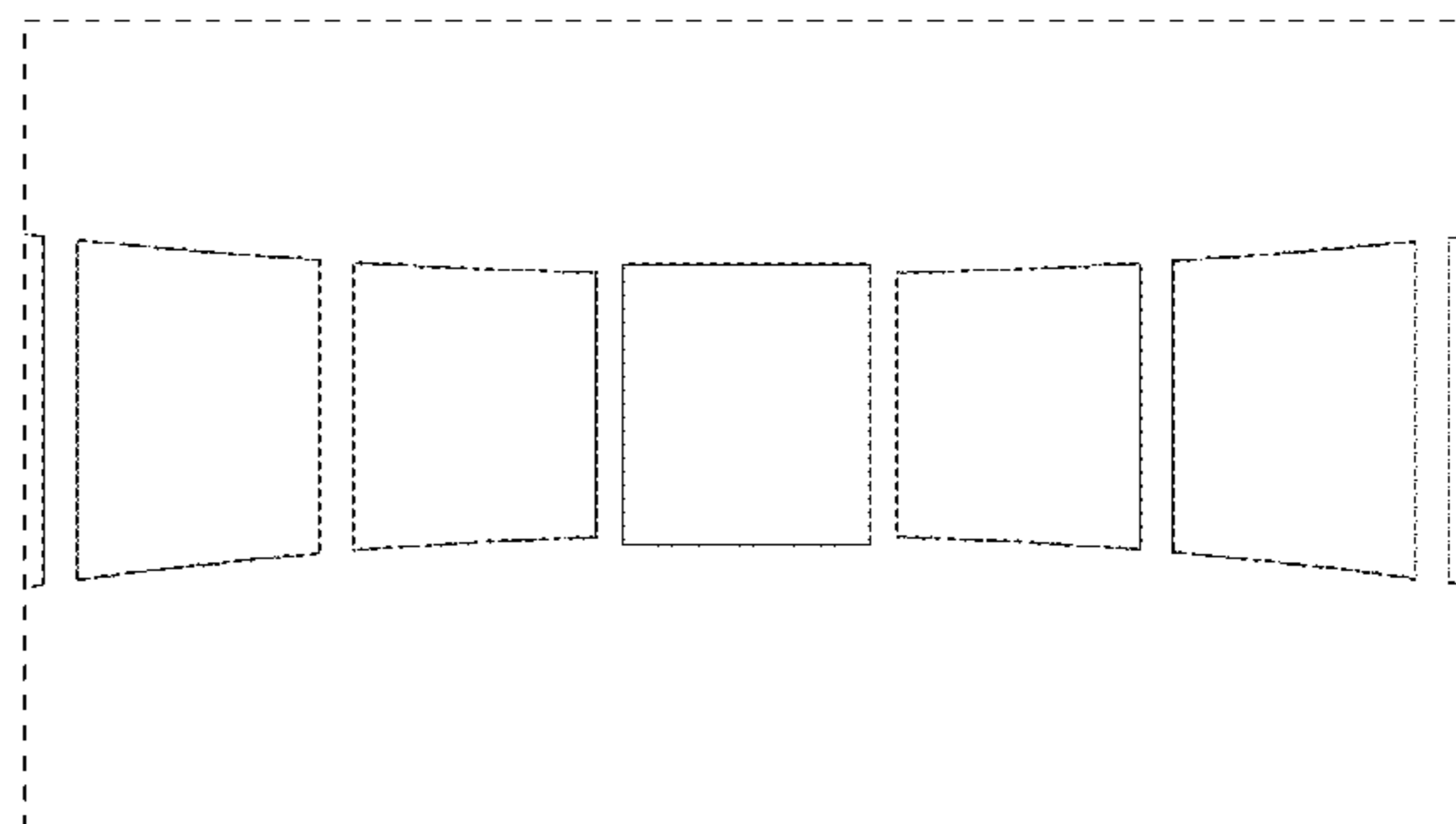
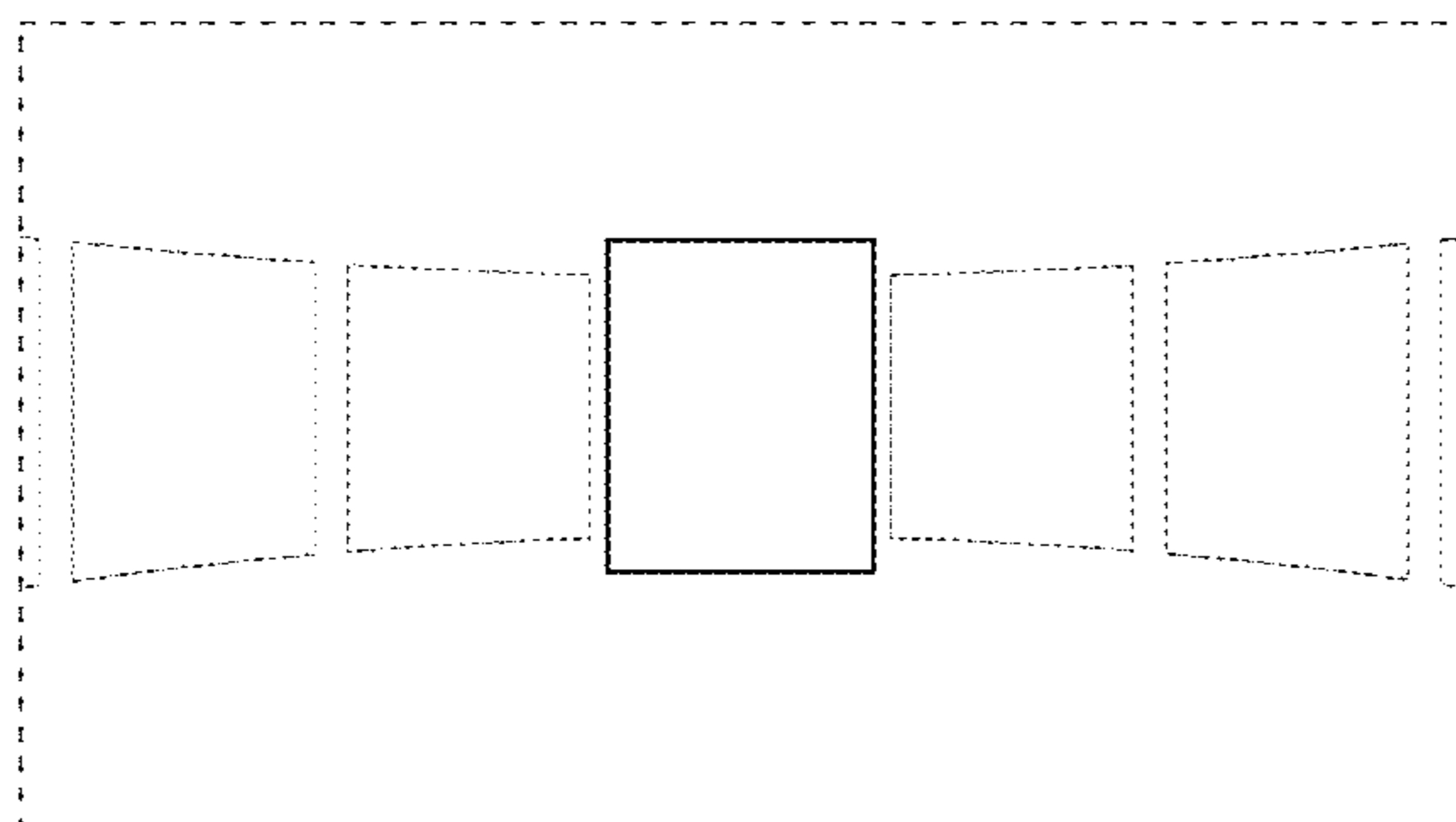
U.S. PATENT DOCUMENTS

6,198,483 B1 * 3/2001 Launais G06F 3/0481
715/781

7,107,549 B2 * 9/2006 Deaton G06F 3/04815
707/E17.111

(Continued)

1 Claim, 5 Drawing Sheets



(58) **Field of Classification Search**

CPC G06T 13/00; G06T 13/80; G06F 3/04845;
G06F 3/0482; H04N 1/00196

See application file for complete search history.

(56) **References Cited**

U.S. PATENT DOCUMENTS

D697,079	S *	1/2014	Yuk	D14/488
D722,321	S *	2/2015	Lee	D14/486
D733,162	S *	6/2015	Aoshima	D14/485
D749,099	S *	2/2016	Moon	D14/486
D752,634	S *	3/2016	Yoon	D14/488
D753,146	S *	4/2016	Kim	D14/485
D754,148	S *	4/2016	Yoon	D14/485
D761,285	S *	7/2016	Kim	D14/486
2005/0278656	A1 *	12/2005	Goldthwaite G06F 17/30749 715/810	
2010/0131294	A1 *	5/2010	Venon G06F 19/321 705/3	
2011/0113384	A1 *	5/2011	Gotcher G06F 3/0482 715/851	
2013/0328888	A1 *	12/2013	Beaver G06T 13/80 345/473	

* cited by examiner

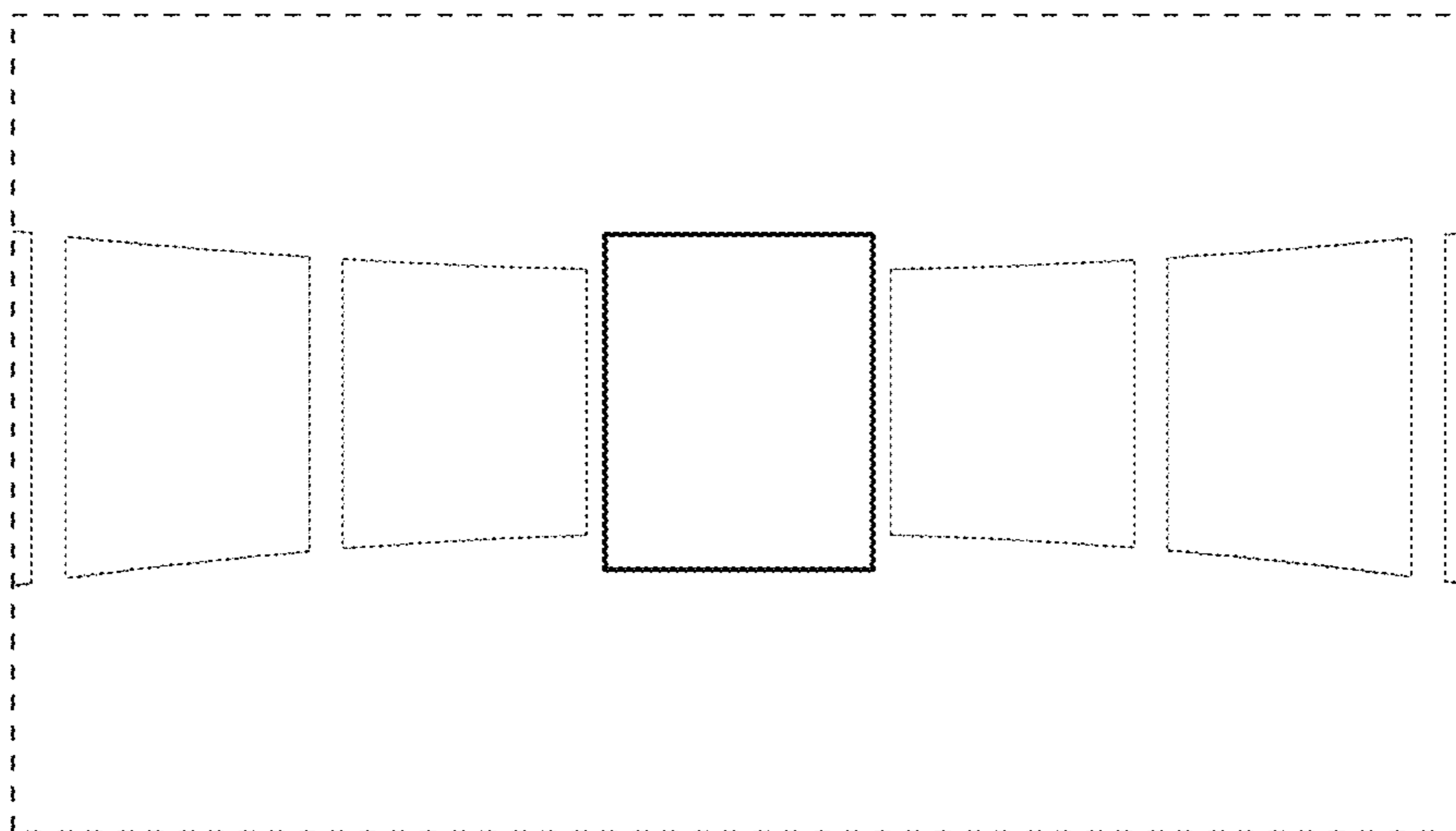


FIG. 1

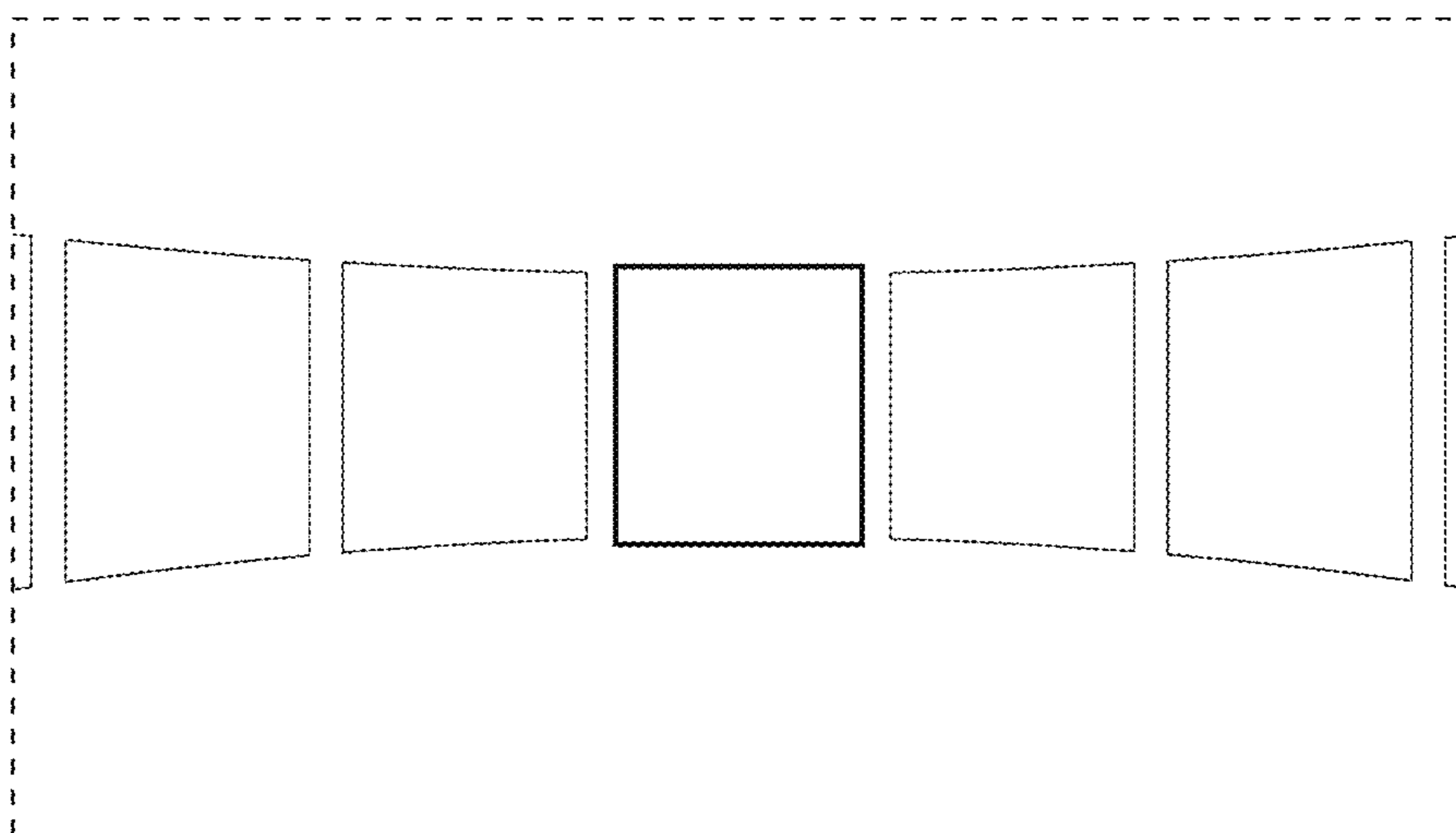


FIG. 2

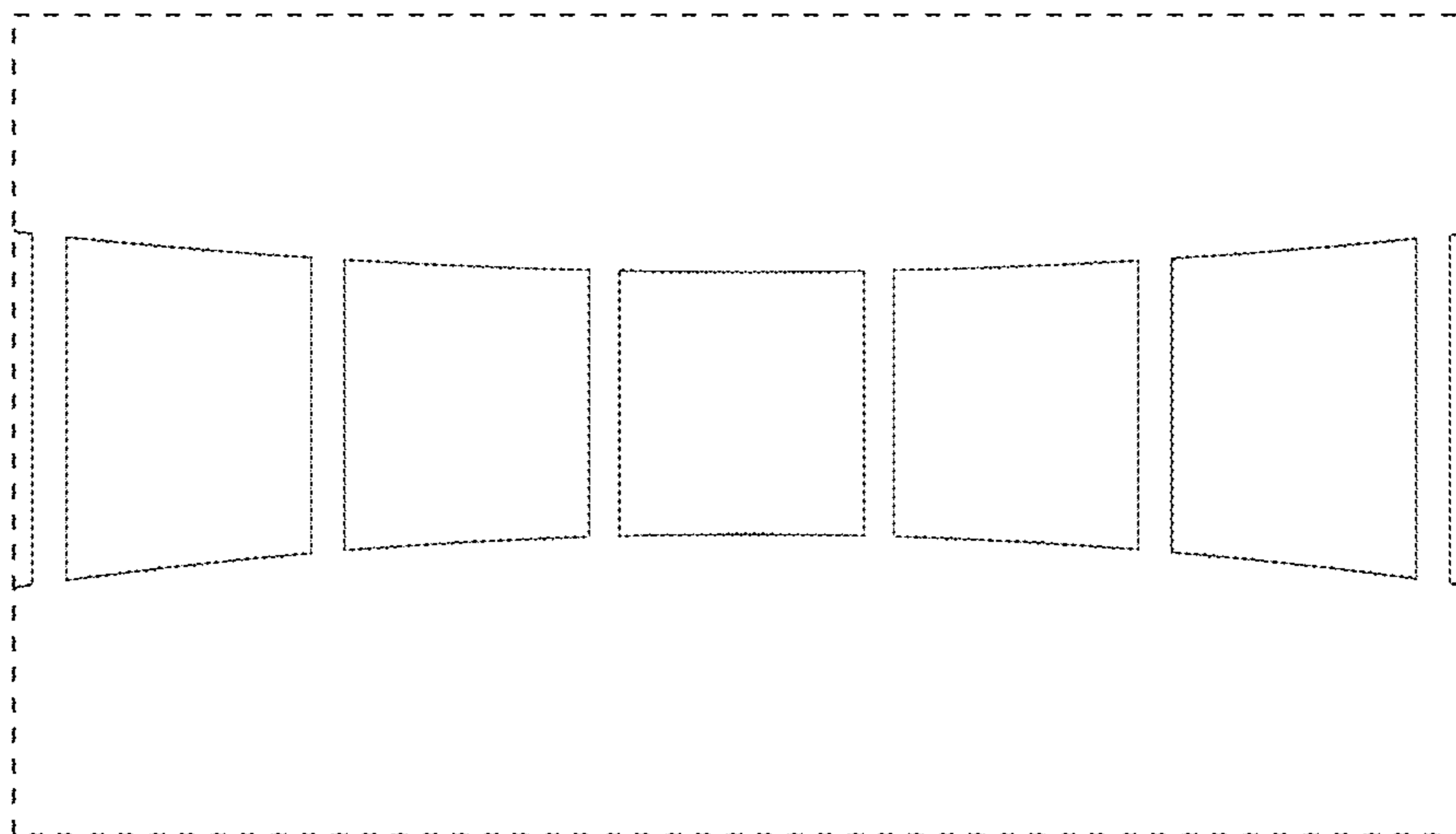


FIG. 3

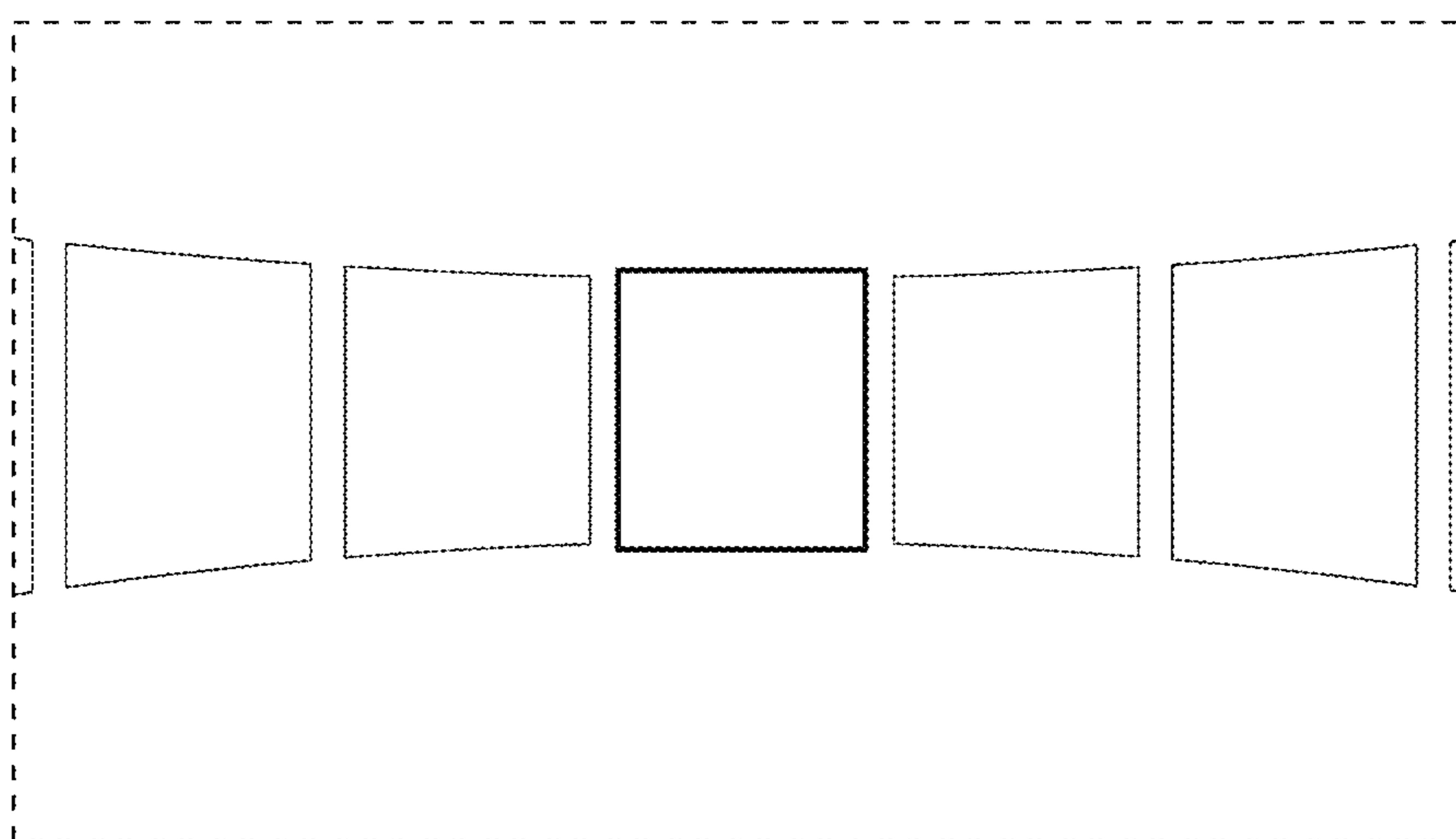


FIG. 4

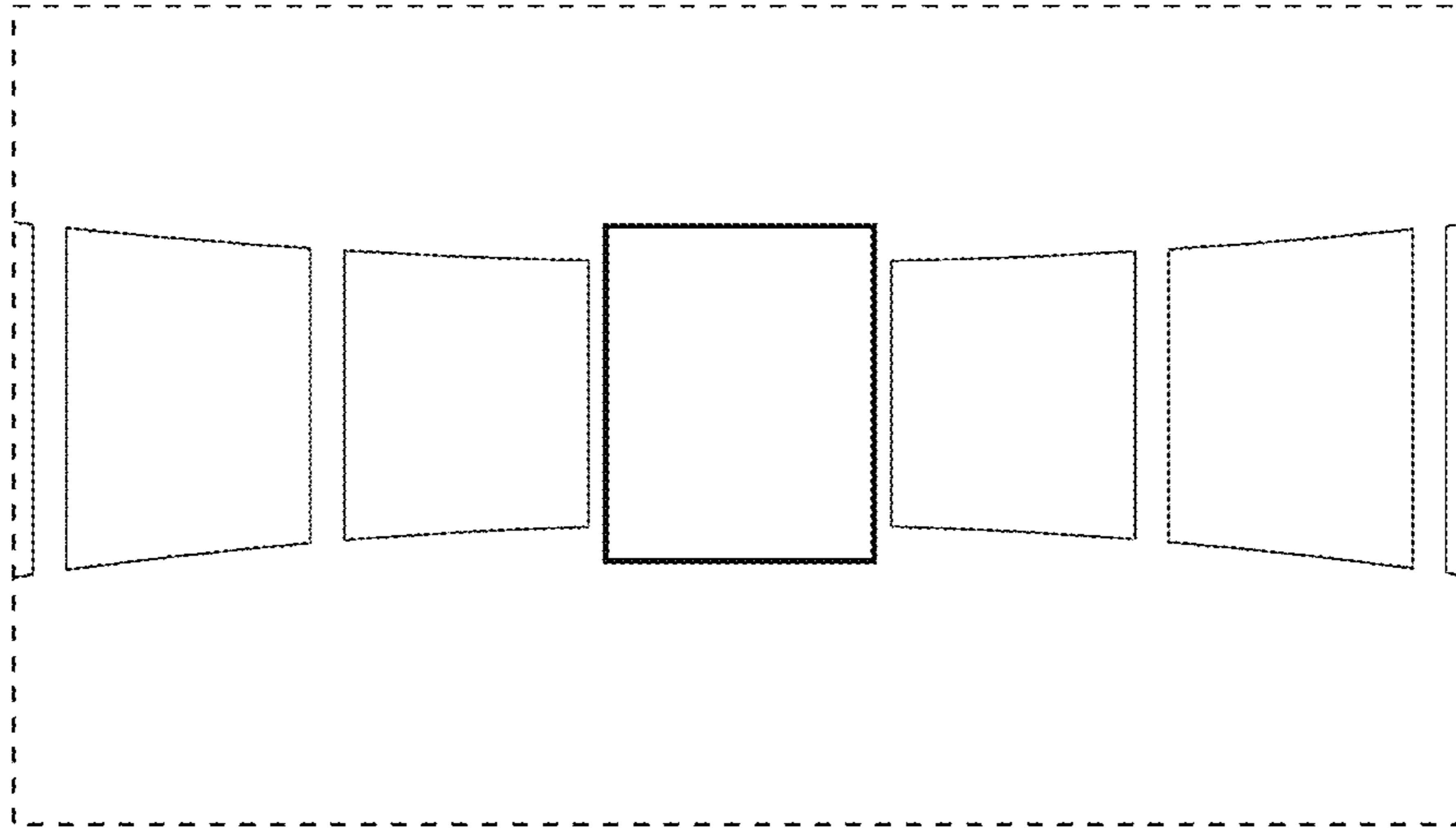


FIG. 5

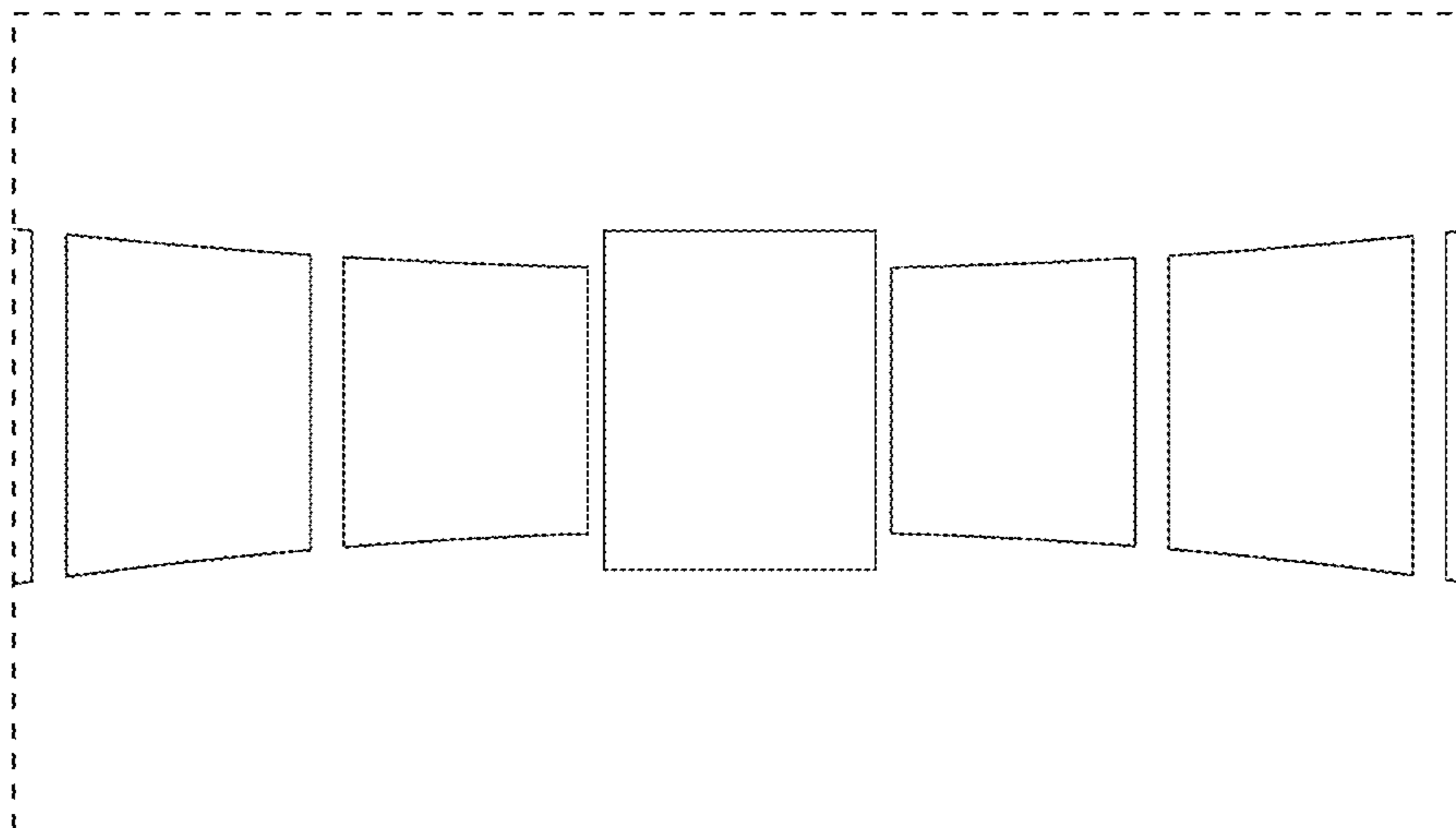


FIG. 6

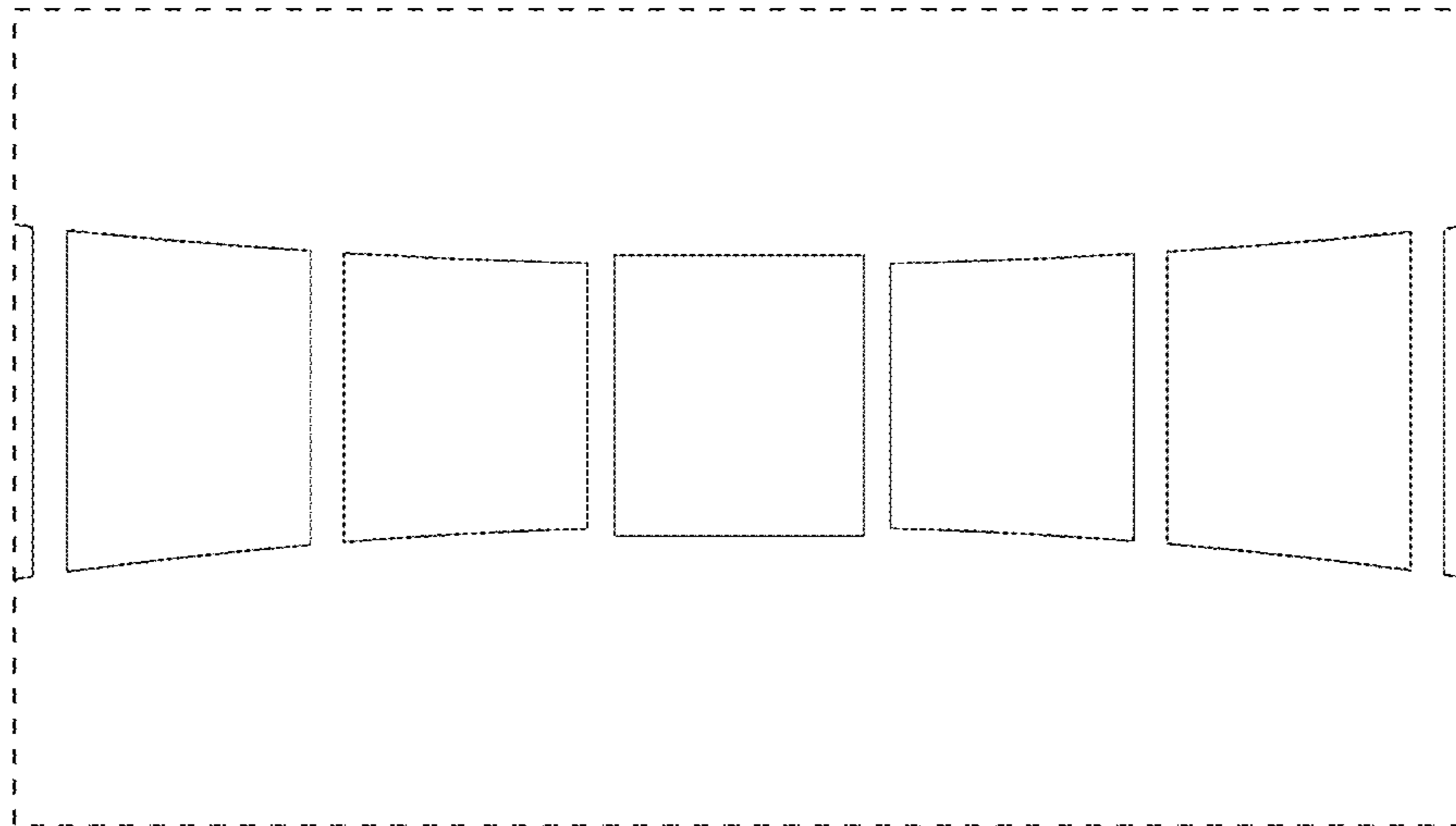


FIG. 7

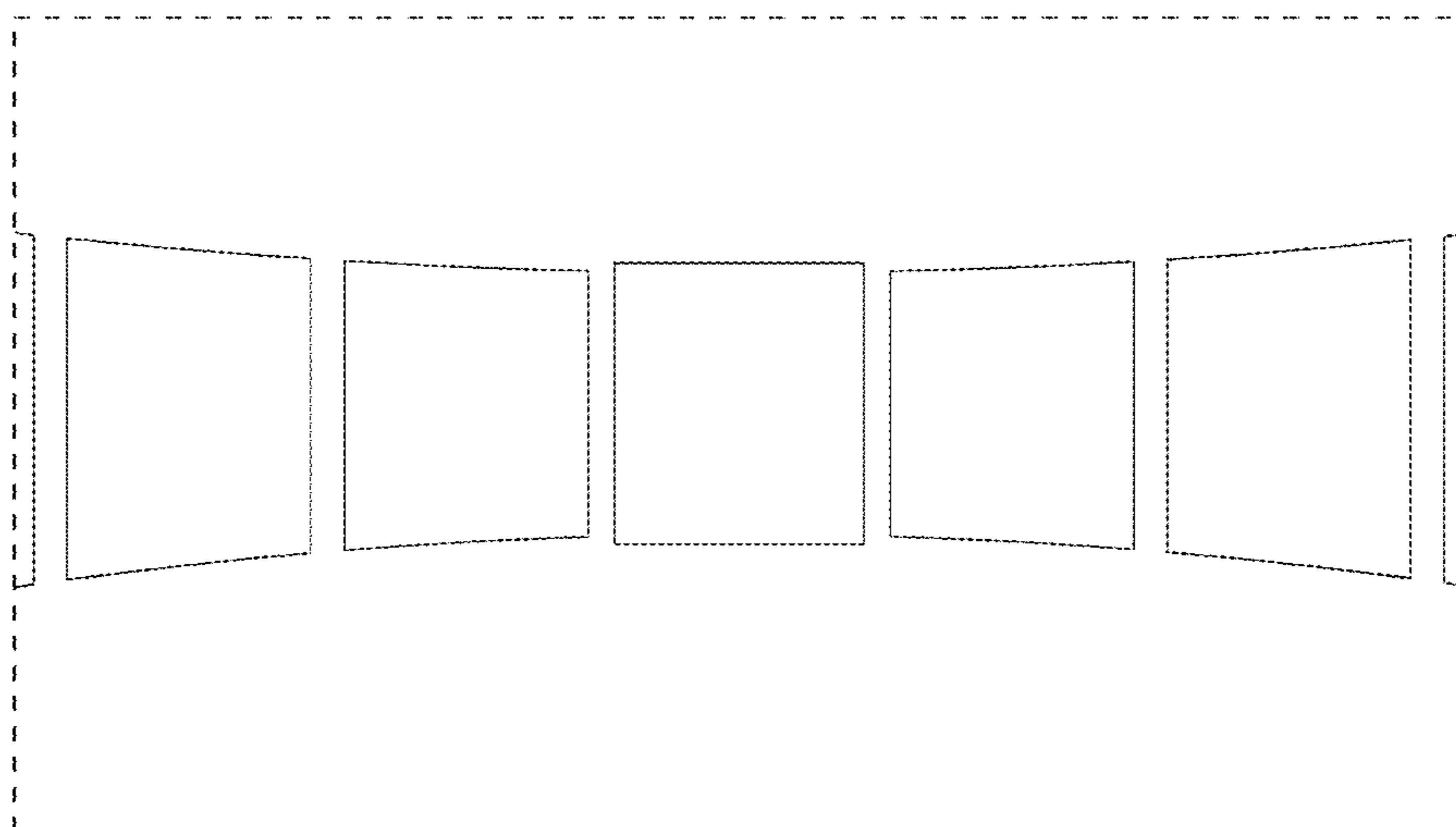


FIG. 8

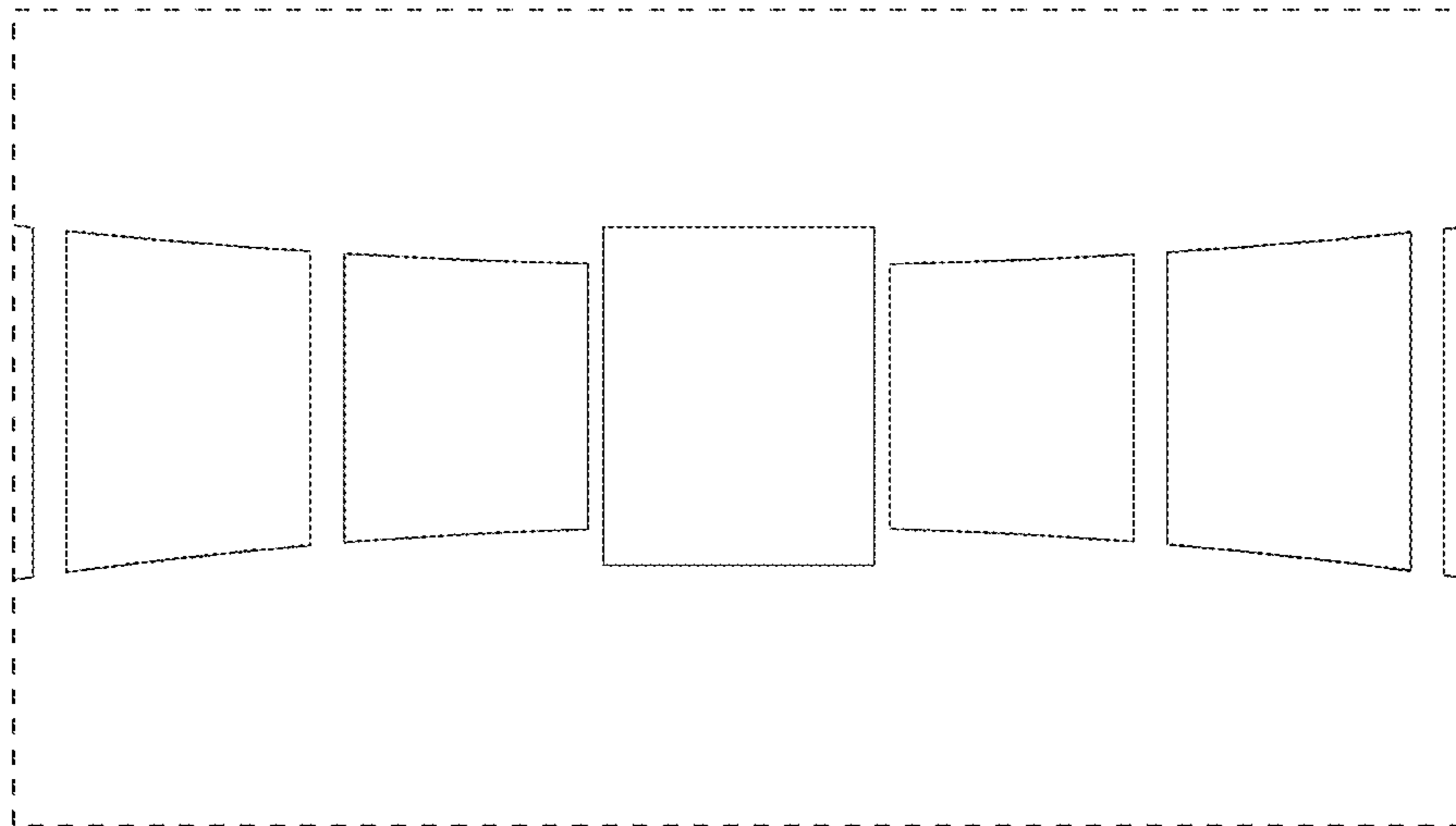


FIG. 9