



US00D830371S

(12) **United States Design Patent**
Lau et al.

(10) **Patent No.:** **US D830,371 S**

(45) **Date of Patent:** **** Oct. 9, 2018**

(54) **SUPPORT ARM**

(71) Applicant: **Colebrook Bosson Saunders (Products) Limited**, London (GB)

(72) Inventors: **Alex Lau**, London (GB); **Simon Bibby**, London (GB); **Peter Robert Williams**, London (GB)

(73) Assignee: **Colebrook Bosson & Saunders (Products) Limited**, London (GB)

(**) Term: **15 Years**

(21) Appl. No.: **29/581,767**

(22) Filed: **Oct. 21, 2016**

(51) **LOC (11) Cl.** **14-02**

(52) **U.S. Cl.**
USPC **D14/452**

(58) **Field of Classification Search**
USPC D14/447-452, 336, 341, 371, 373, 374, D14/375, 376, 377, 126, 127, 128, 129
CPC F16M 11/105; F16M 11/10; F16M 11/048; F16M 11/12; F16M 13/022
See application file for complete search history.

(56) **References Cited**

U.S. PATENT DOCUMENTS

D654,503	S *	2/2012	Sapper	D14/452
D660,844	S *	5/2012	Kaluza	D14/452
D666,207	S *	8/2012	Brandt	D14/452
D677,263	S *	3/2013	Luijben	D14/451
D679,282	S *	4/2013	Liu	D14/452
D688,674	S *	8/2013	Lau	D14/452
RE44,740	E *	2/2014	Ciungan	D14/452
8,720,838	B2 *	5/2014	Bowman	F16M 11/18 248/280.11
8,777,172	B2 *	7/2014	Sapper	F16M 11/08 248/274.1
9,074,721	B2	7/2015	Lau et al.		
D740,830	S *	10/2015	Chu	D14/452

D751,565	S *	3/2016	Gross	D14/451
9,797,544	B1 *	10/2017	Smed	F16M 11/2085
D805,085	S *	12/2017	Xiang	D14/452
2008/0164395	A1 *	7/2008	Chang	F16M 11/105 248/276.1
2011/0079692	A1 *	4/2011	Li	F16M 11/105 248/220.21

(Continued)

FOREIGN PATENT DOCUMENTS

CA 2848460 A1 * 3/2013 F16M 11/2021

OTHER PUBLICATIONS

YouTube. <URL: https://www.youtube.com/watch?v=h_qdovwamUM&pbjreload=10> Sep. 12, 2017. Support Arm.*

Primary Examiner — Thomas Johannes

Assistant Examiner — Lauren McVey

(74) *Attorney, Agent, or Firm* — Michael Best & Friedrich LLP

(57) **CLAIM**

The ornamental design for a support arm, as shown and described.

DESCRIPTION

FIG. 1 is a rear perspective view of the design;

FIG. 2 is a front perspective view of FIG. 1;

FIG. 3 is a rear elevational view of FIG. 1;

FIG. 4 is a front elevational view of FIG. 1;

FIG. 5 is a left-side elevational view of FIG. 1;

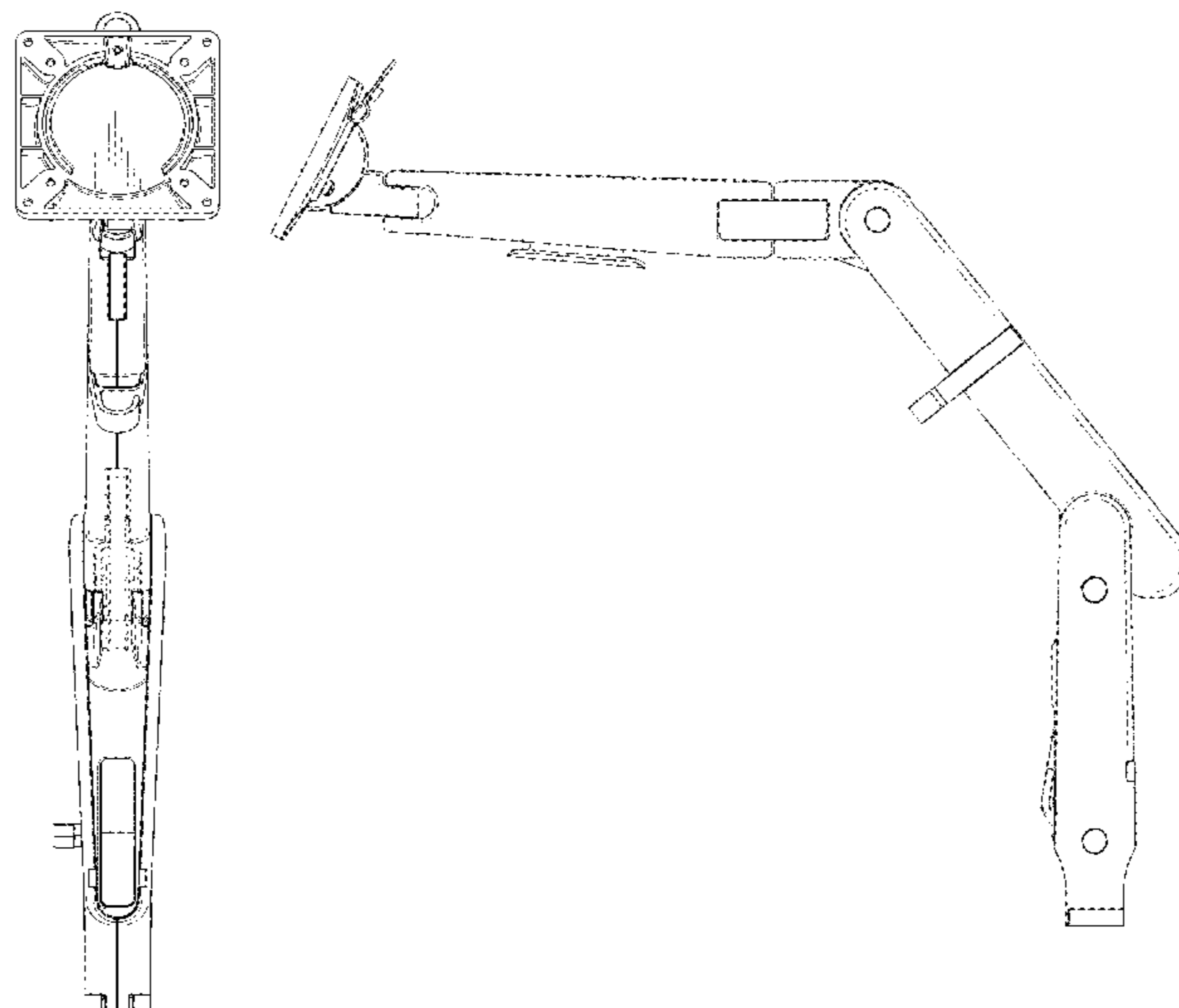
FIG. 6 is a right-side elevational view of FIG. 1;

FIG. 7 is a top plan view of FIG. 1; and,

FIG. 8 is a bottom plan view of FIG. 1.

The broken lines immediately adjacent the claim represent the bounds of the claimed design while all other broken lines are directed to environment and are for illustrative purposes only; the broken lines form no part of the claimed design.

1 Claim, 6 Drawing Sheets



(56)

References Cited

U.S. PATENT DOCUMENTS

2016/0352054 A1* 12/2016 Xiang F16M 11/12
2018/0112820 A1* 4/2018 Lau F16M 13/022

* cited by examiner

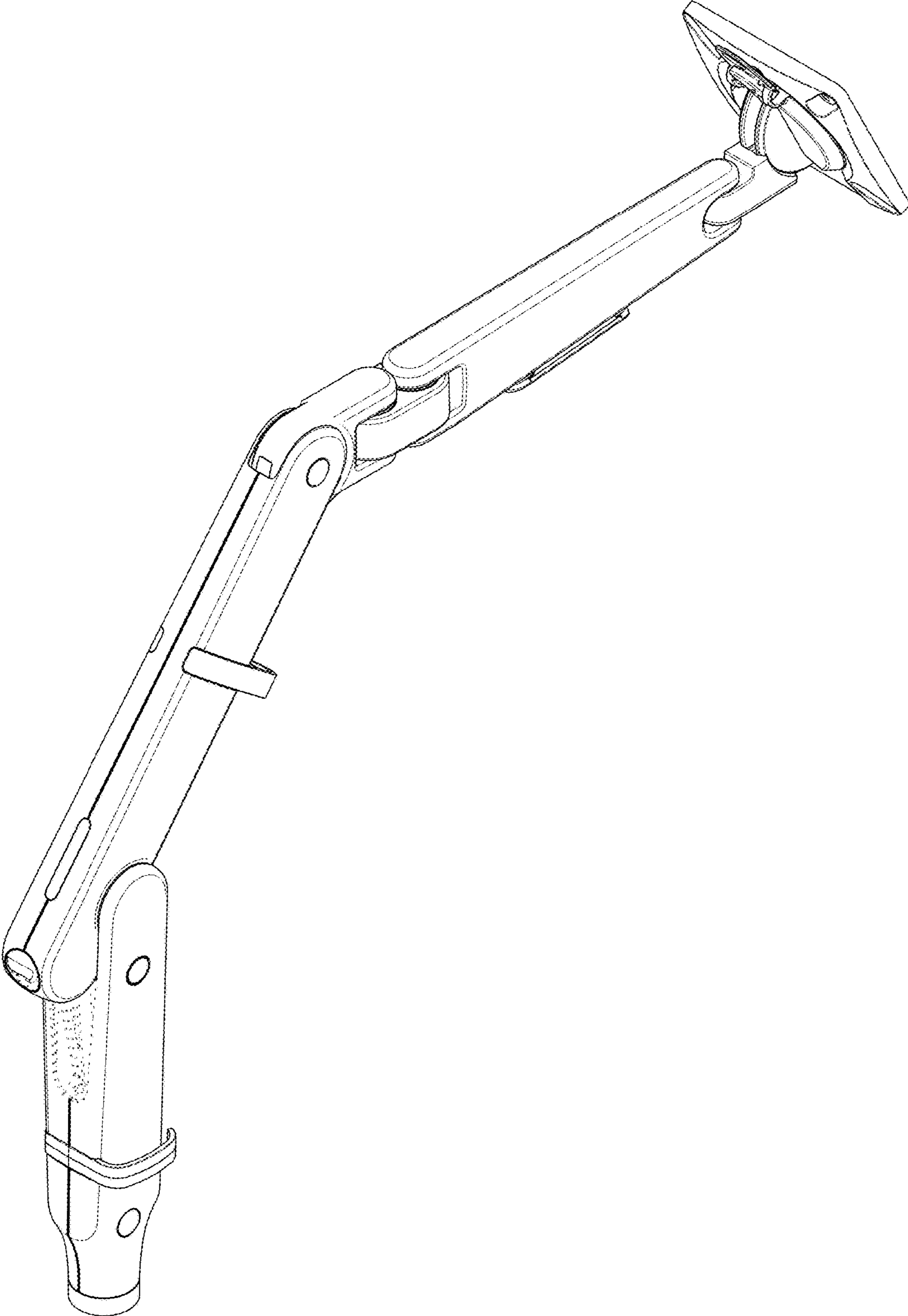


FIG. 1

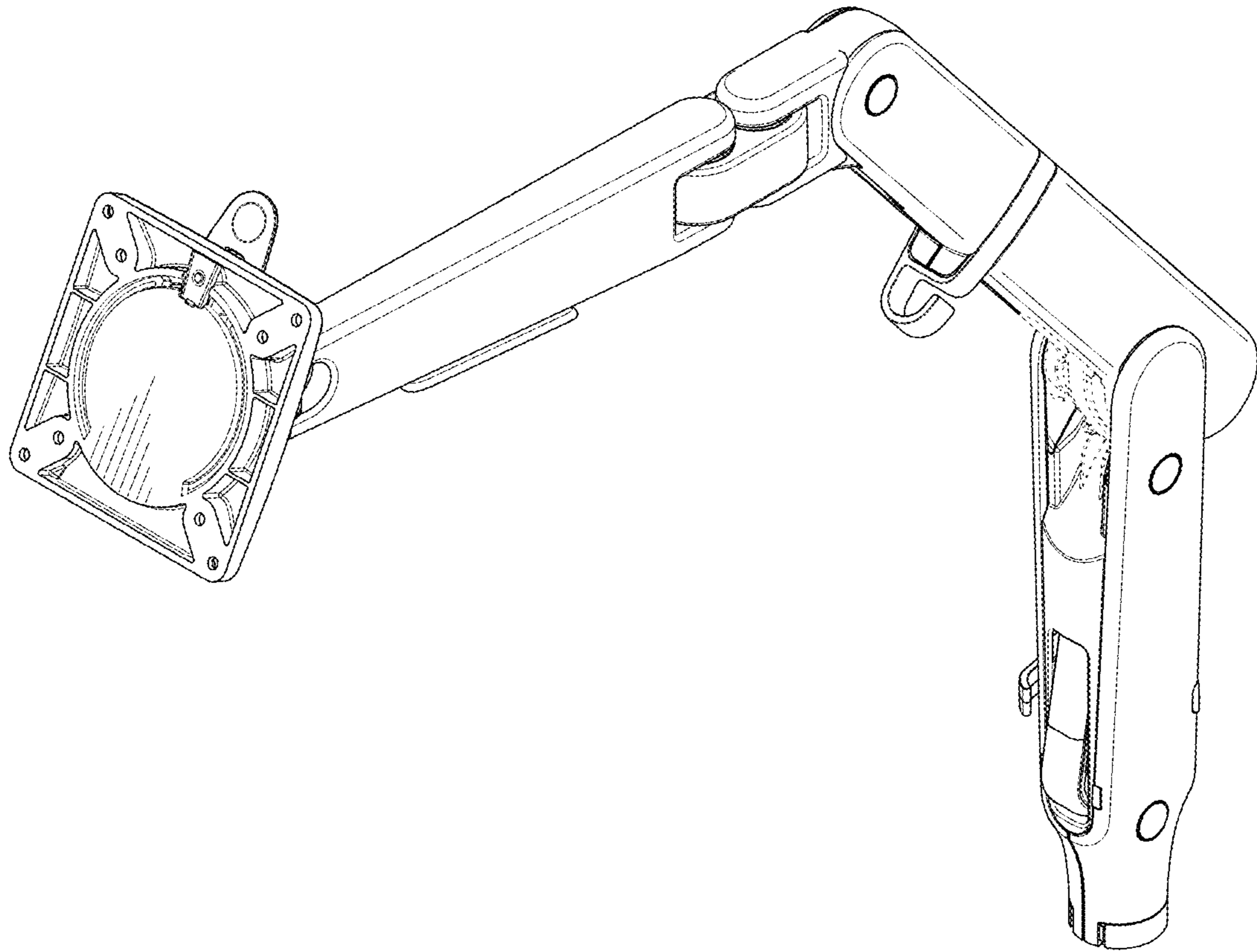


FIG. 2

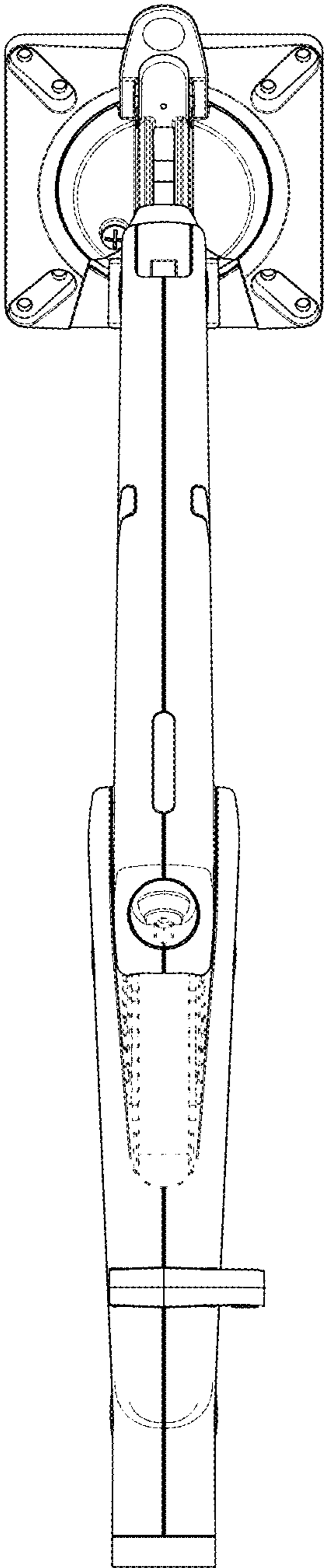


FIG. 3

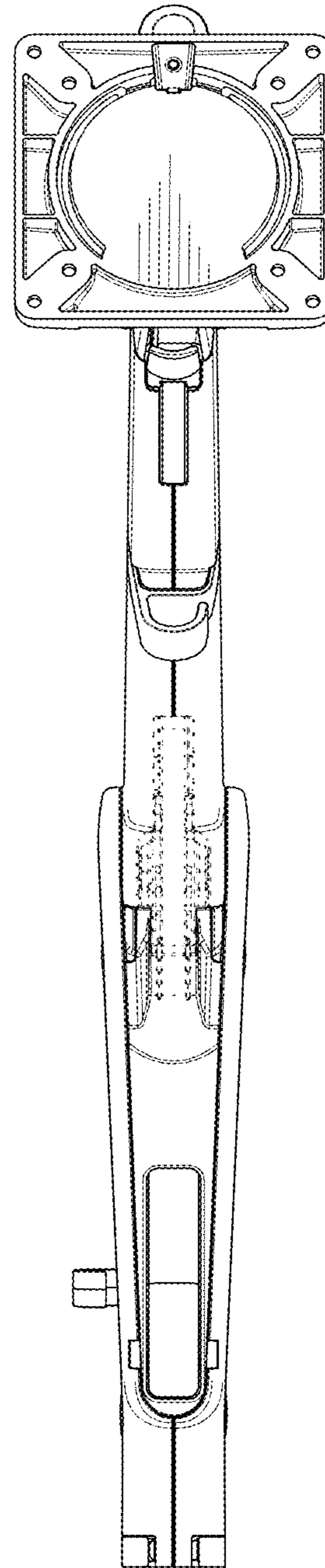


FIG. 4

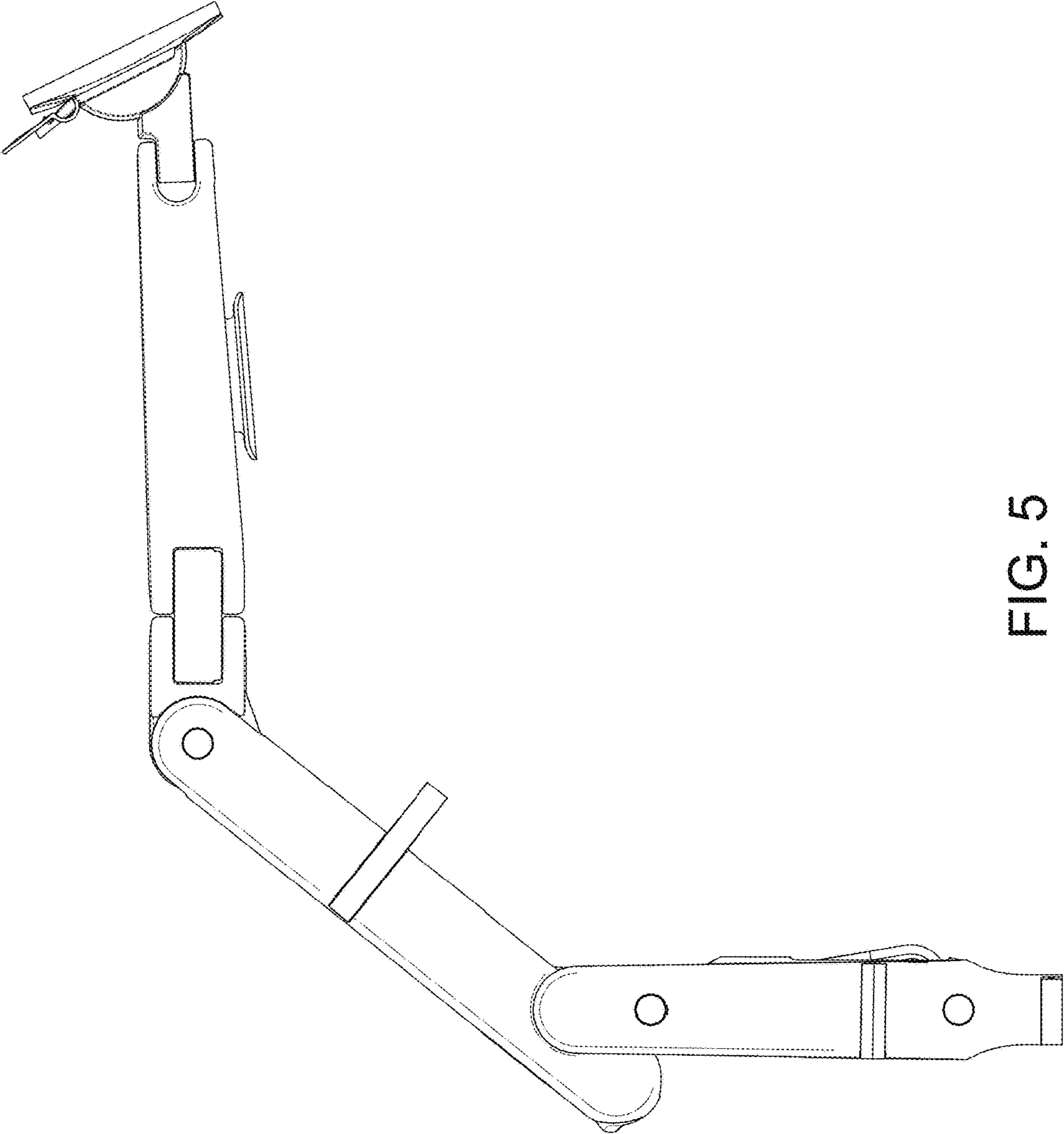


FIG. 5

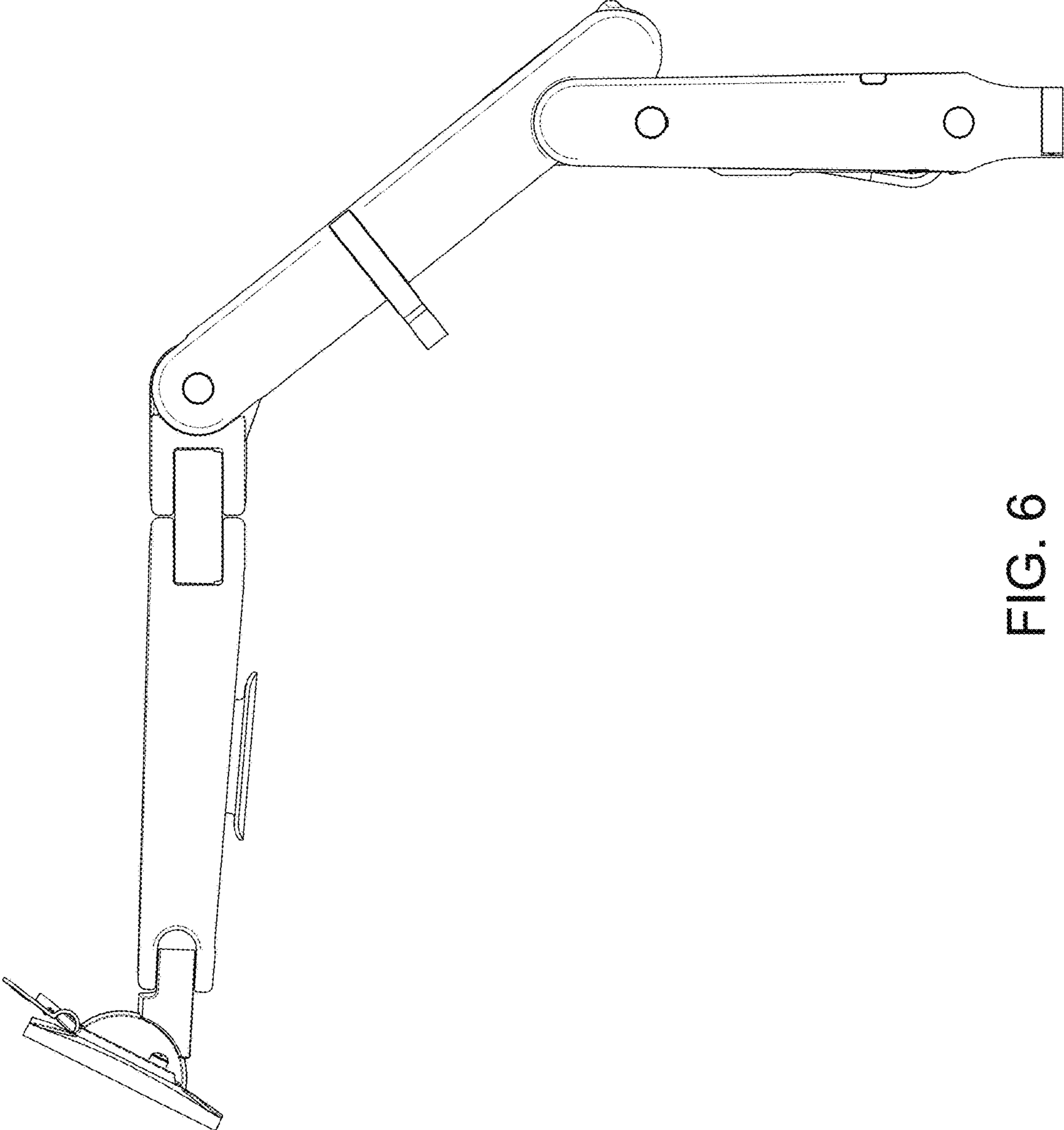


FIG. 6

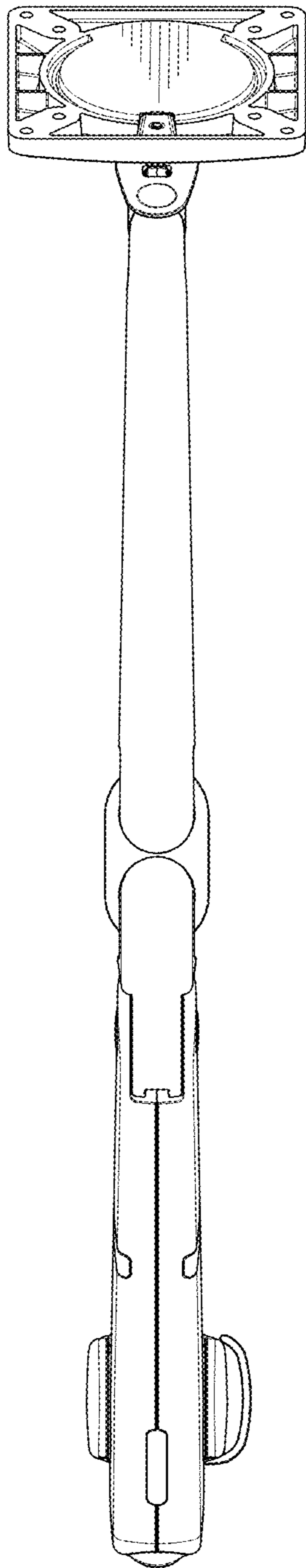


FIG. 7

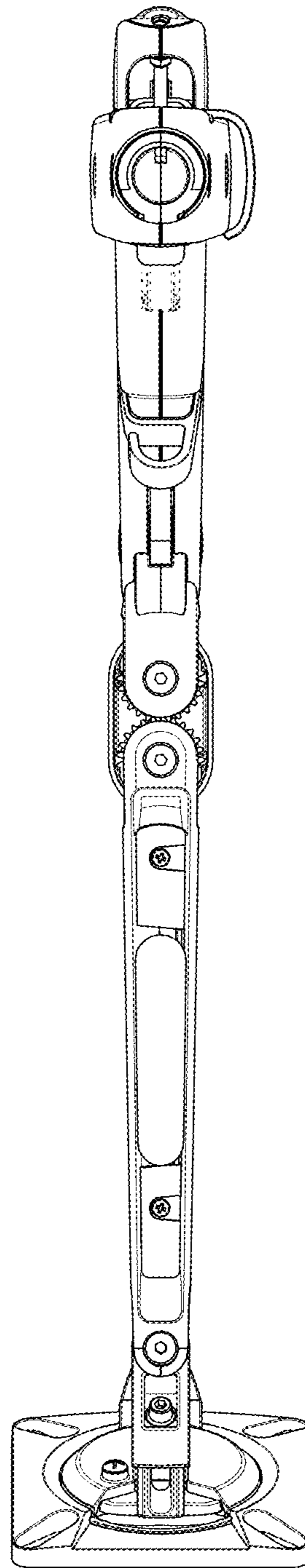


FIG. 8