



US00D830370S

(12) **United States Design Patent**
McKenna et al.

(10) **Patent No.:** **US D830,370 S**
(45) **Date of Patent:** **** Oct. 9, 2018**

(54) **MONITOR SUPPORT**

(71) Applicant: **Steelcase Inc.**, Grand Rapids, MI (US)

(72) Inventors: **Mark McKenna**, East Grand Rapids, MI (US); **Ryan D. Vaughan**, Lowell, MI (US); **Eric Alexander Otto**, Grand Rapids, MI (US); **Brook Burg**, Grand Rapids, MI (US)

(73) Assignee: **Steelcase Inc.**, Grand Rapids, MI (US)

(**) Term: **15 Years**

(21) Appl. No.: **29/606,893**

(22) Filed: **Jun. 8, 2017**

(51) **LOC (11) Cl.** **14-02**

(52) **U.S. Cl.**
USPC **D14/451**

(58) **Field of Classification Search**
USPC D14/371-382, 125-129, 335-337, D14/447-452, 492, 239, 457, 439-441, D14/432, 251-253; D8/349, 354, 363, D8/373, 376, 380; 348/180, 184, 325, 348/739, 825; D12/407, 415; D3/218; 341/12
CPC G06F 3/0412; G06F 3/016; G06F 3/0488; G06F 3/011; G06F 3/038; G06F 3/03543; G06F 3/0338; G06F 3/0202; G06F 3/0219; G06F 3/0213; G06F 1/1616; G06F 3/023; G06F 3/04883; G02F 1/13338; G02F 1/1313; G02F 1/1333; G02F 1/135; G02F 1/132; G02F 1/133308; G02F 1/134309; G02F 1/13718; G09G 3/3648; G06K 15/1252; B41J 2/465; G03F 7/70291; G02B 27/0172; G02B 5/30; G02B 2027/0118; G02B 27/0101; F16M 13/02; F16M 13/00; F16M 11/10; F16M 11/04; F16M 2200/08; F16M 11/2021; A47B 21/0314; A47B 88/044; A47B 2021/0335; H02G 3/126;

(Continued)

(56) **References Cited**

U.S. PATENT DOCUMENTS

D294,262 S 2/1988 Thies et al.
D301,192 S * 5/1989 DeCoster D7/555
(Continued)

Primary Examiner — Katie Jane Stofko

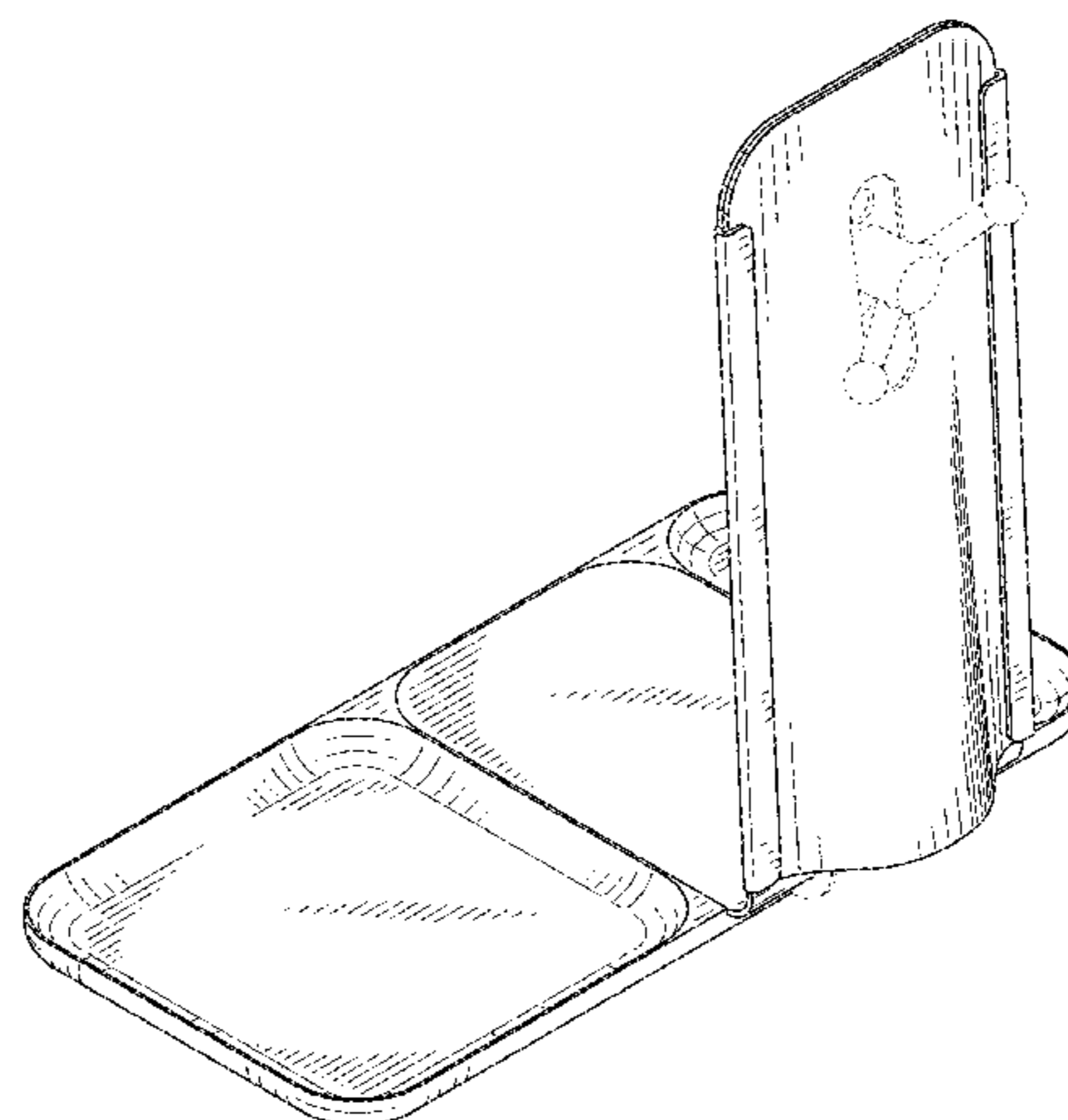
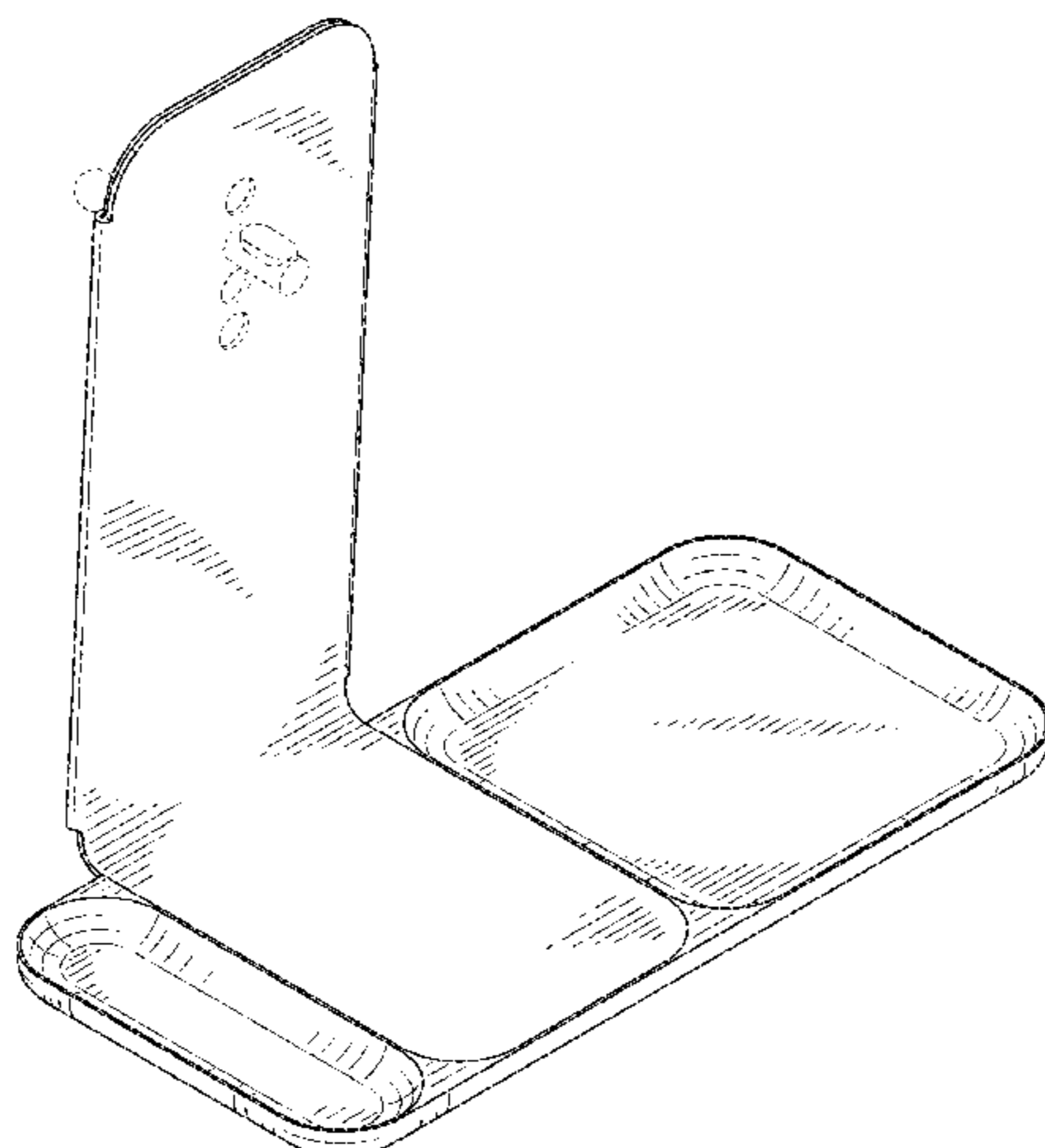
(57) **CLAIM**

We claim the ornamental design for a monitor support, as shown and described.

DESCRIPTION

FIG. 1 is a front perspective view of a monitor support; FIG. 2 is a rear perspective view of the monitor support of FIG. 1; FIG. 3 is a bottom perspective view of the monitor support of FIG. 1; FIG. 4 is front view of the monitor support of FIG. 1; FIG. 5 is a rear view the monitor support of FIG. 1; FIG. 6 is a left side view of the monitor support of FIG. 1; FIG. 7 is a right side view of the monitor support of FIG. 1; FIG. 8 is a top view of the monitor support of FIG. 1; FIG. 9 is a bottom view of the monitor support of FIG. 1; FIG. 10 is a cross-sectional view along X-X of the monitor support of FIG. 4; FIG. 11 is a cross-sectional view along XI-XI of the monitor support of FIG. 7; FIG. 12 is a cross-sectional view along XII-XII of the monitor support of FIGS. 8; and, FIG. 13 is a cross-sectional view along XIII-XIII of the monitor support of FIG. 8.
The evenly-spaced broken lines in FIGS. 1-10 illustrate portions of the monitor support that form no part of the claimed design. The dash-dot-dash broken lines in FIG. 3 illustrate the boundary of the claimed designs which forms no part thereof.

1 Claim, 10 Drawing Sheets



(58) **Field of Classification Search**
 CPC F16B 47/00; F16B 47/006; A47G 1/17;
 A47K 2201/00
 See application file for complete search history.

(56) **References Cited**

U.S. PATENT DOCUMENTS

D324,515 S 3/1992 Harden et al.
 D373,579 S 9/1996 Searby et al.
 D428,415 S 7/2000 Shibata
 RE36,978 E 12/2000 Moscovitch
 D453,022 S 1/2002 Oba
 D463,440 S 9/2002 Oba
 D464,049 S 10/2002 Goto
 D475,687 S 6/2003 Goto
 D484,364 S * 12/2003 Bailey D7/357
 D488,139 S 4/2004 Takami et al.
 D489,322 S * 5/2004 Sawai D13/108
 6,987,666 B2 * 1/2006 Medica F16M 11/10
 248/424
 D520,006 S 5/2006 Chen et al.
 D527,383 S 8/2006 Chen et al.
 D529,912 S 10/2006 Chen et al.
 D530,327 S 10/2006 Chen et al.
 D530,329 S 10/2006 Chen et al.
 D531,179 S 10/2006 Yamashiro et al.
 D531,631 S 11/2006 Andre et al.
 D532,011 S 11/2006 Andre et al.
 D537,079 S 2/2007 Park
 D539,281 S 3/2007 Kim et al.
 D541,277 S 4/2007 Noda et al.
 D541,278 S 4/2007 Hsu et al.
 D541,799 S 5/2007 Andre et al.
 D558,200 S 12/2007 Tsai
 D567,237 S 4/2008 Kim
 D575,783 S 8/2008 Hean et al.
 D587,712 S 3/2009 Park et al.
 D588,141 S * 3/2009 Heggland D14/434
 D591,286 S 4/2009 Chen
 D593,558 S 6/2009 Chiang et al.
 D593,568 S 6/2009 Hsieh et al.

D598,911 S 8/2009 Wang et al.
 D600,696 S 9/2009 Andre et al.
 D601,146 S 9/2009 Chueh et al.
 D601,147 S 9/2009 Ding et al.
 D604,733 S 11/2009 Andre et al.
 D611,472 S 3/2010 Chen
 D621,840 S * 8/2010 Buncher D14/447
 D638,013 S 5/2011 Andre et al.
 D649,153 S 11/2011 Symons
 D654,501 S 2/2012 Haller et al.
 D658,646 S 5/2012 Akana et al.
 D676,855 S * 2/2013 Yoo D14/448
 D681,647 S 5/2013 Choi
 D682,285 S 5/2013 Skinner et al.
 D688,673 S 8/2013 Haller
 D691,606 S 10/2013 Andre et al.
 8,576,554 B2 * 11/2013 Quijano G06F 1/1607
 361/679.23
 D703,673 S * 4/2014 Kittlaus D14/447
 D712,397 S 9/2014 Akana et al.
 D712,939 S * 9/2014 Jeon D15/89
 D714,289 S 9/2014 Shoda et al.
 D726,717 S 4/2015 Lee et al.
 D742,375 S 11/2015 Kang et al.
 RE45,816 E 12/2015 Andre et al.
 D747,717 S 1/2016 Kim et al.
 D747,719 S 1/2016 Won et al.
 D749,082 S 2/2016 Jung et al.
 D750,077 S 2/2016 Lee et al.
 D752,035 S 3/2016 Akana et al.
 D752,049 S 3/2016 Lee et al.
 D752,587 S 3/2016 Gnog
 D755,788 S 5/2016 Mitchell et al.
 D759,002 S 6/2016 Won et al.
 D760,723 S 7/2016 Won et al.
 D763,255 S 8/2016 Lee
 D763,259 S 8/2016 Lee et al.
 D766,664 S * 9/2016 Wilson D7/553.2
 D781,283 S 3/2017 Son et al.
 D782,490 S 3/2017 Lee
 9,843,214 B2 * 12/2017 Peek H02J 7/025
 D806,703 S * 1/2018 Skinner D14/336

* cited by examiner

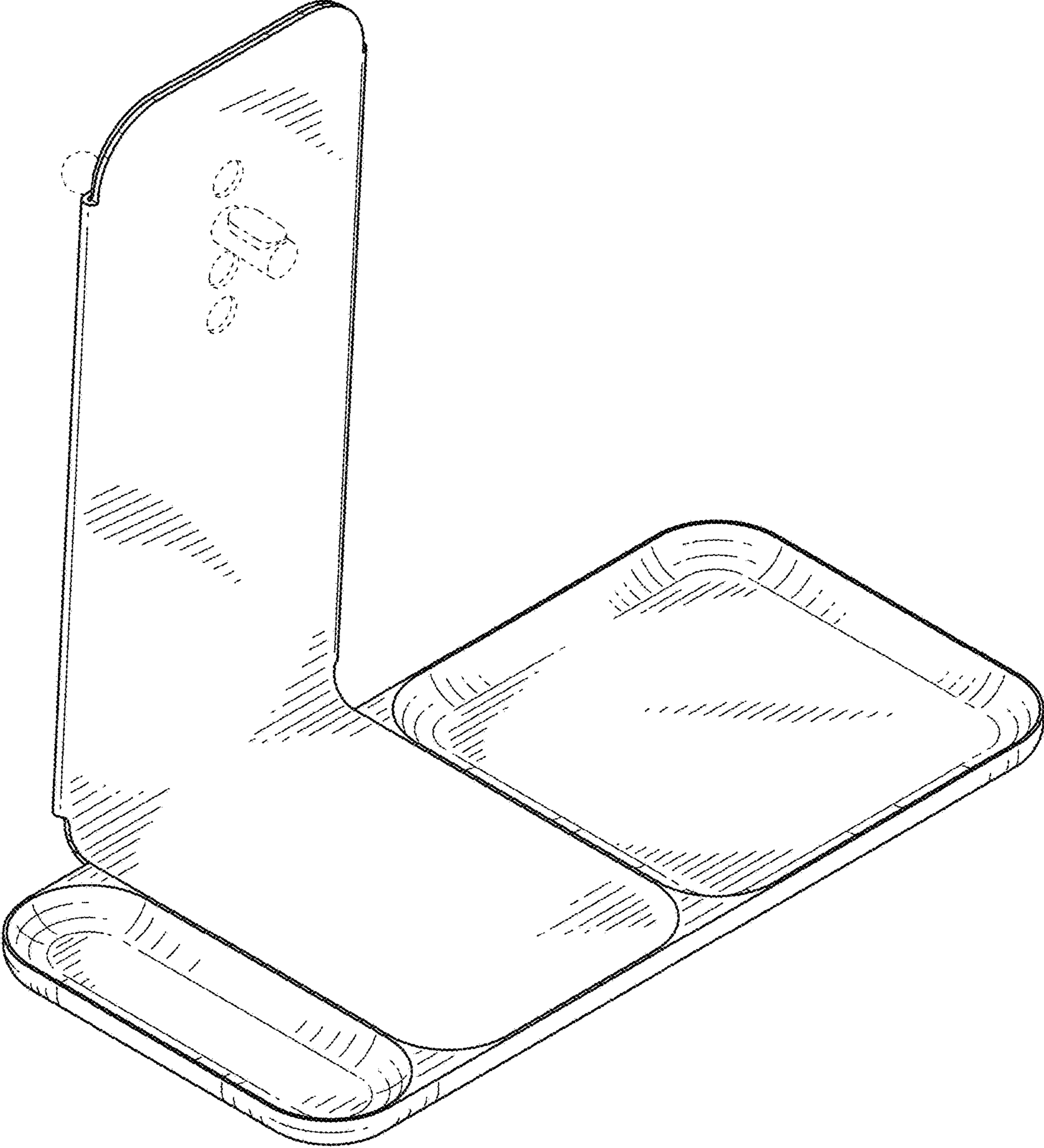


FIG. 1

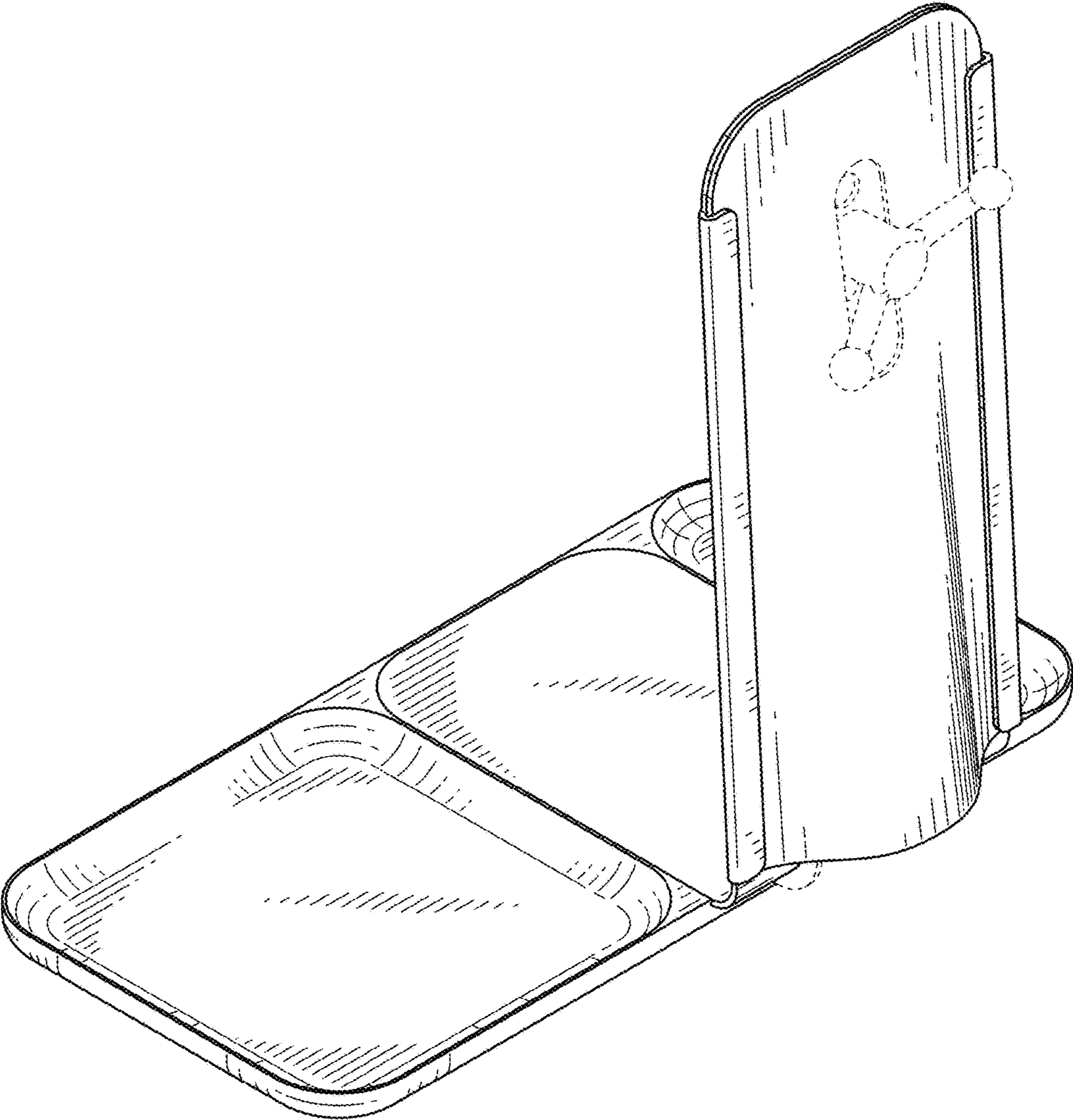


FIG. 2

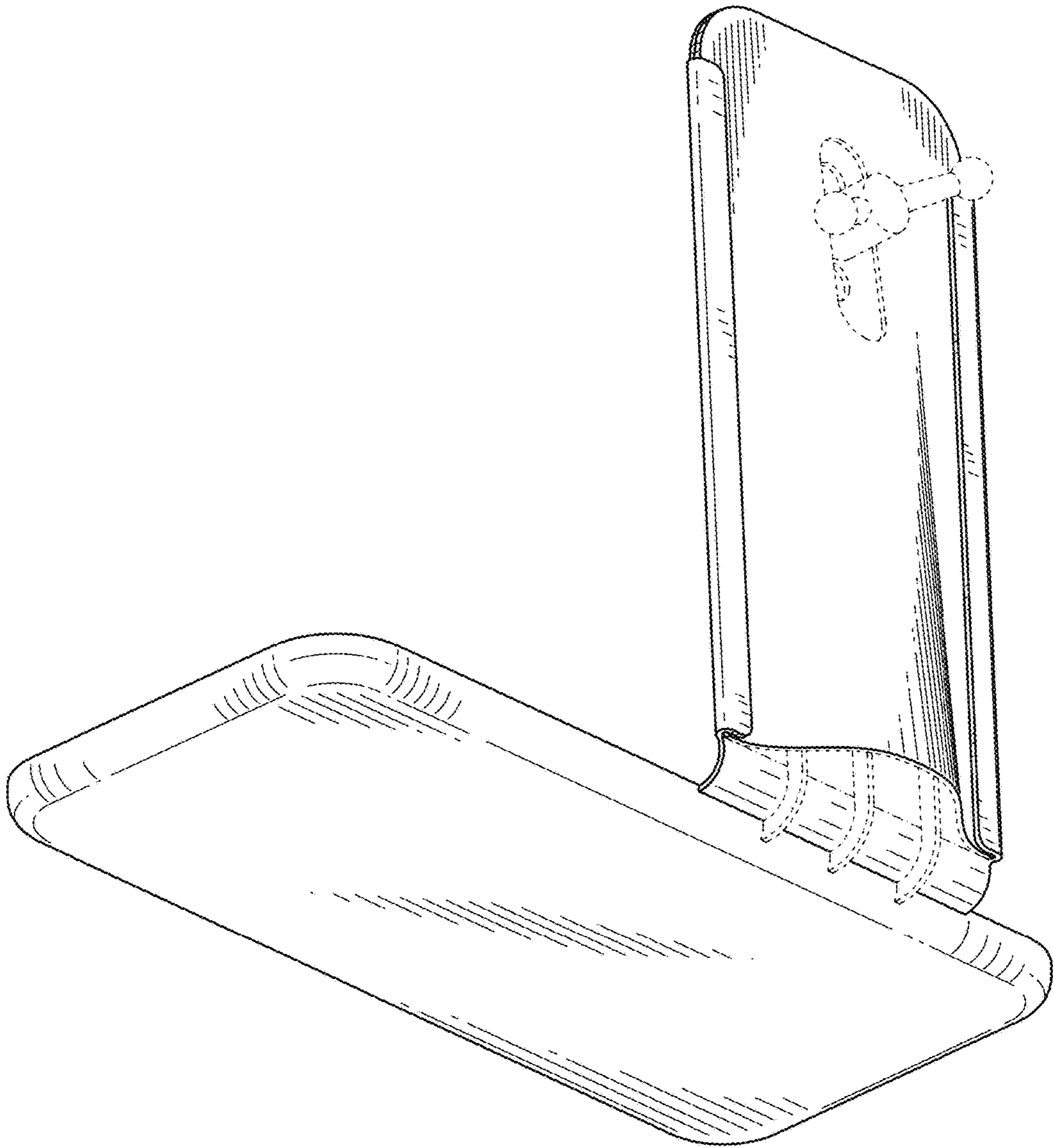


FIG. 3

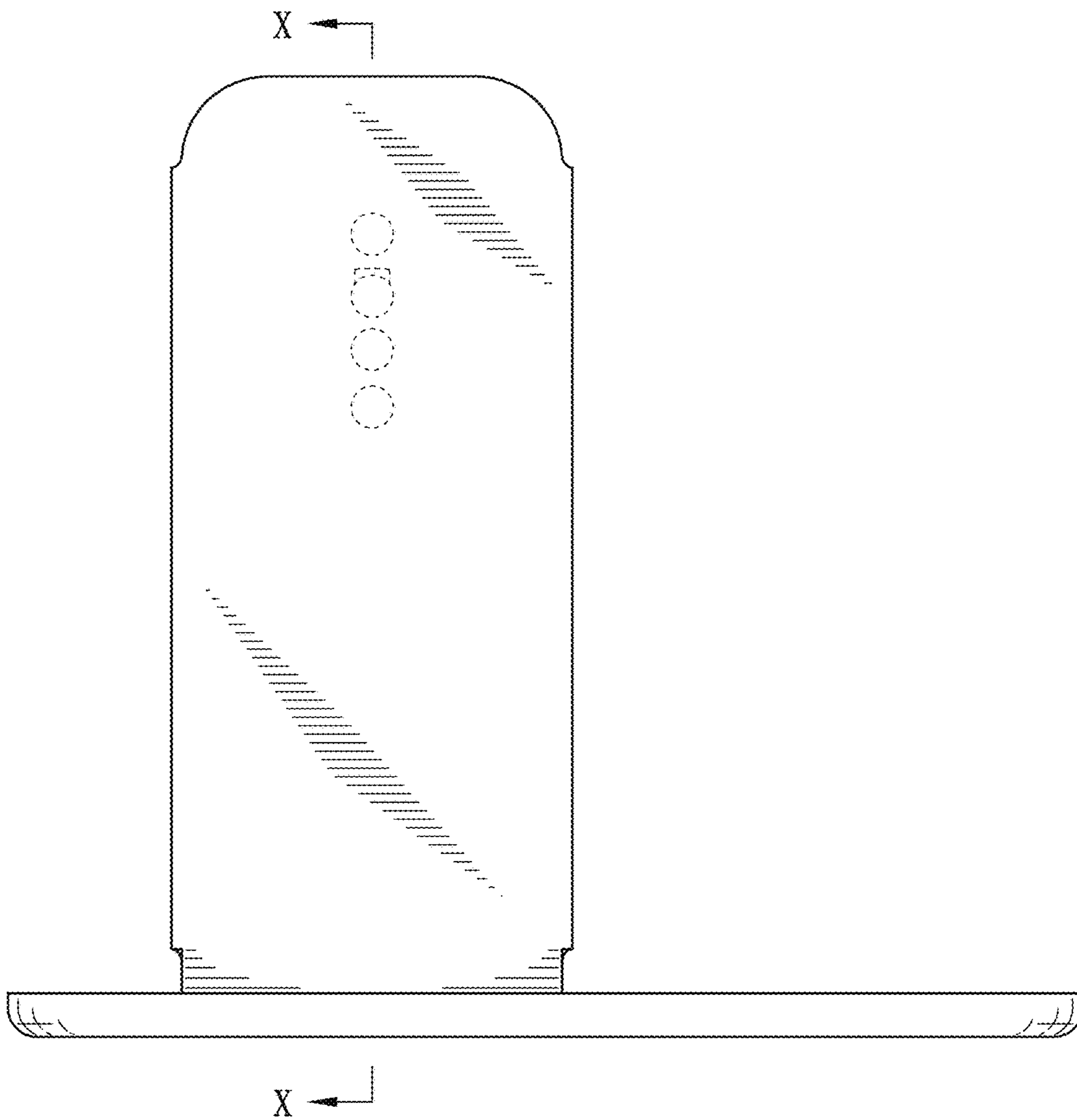


FIG. 4

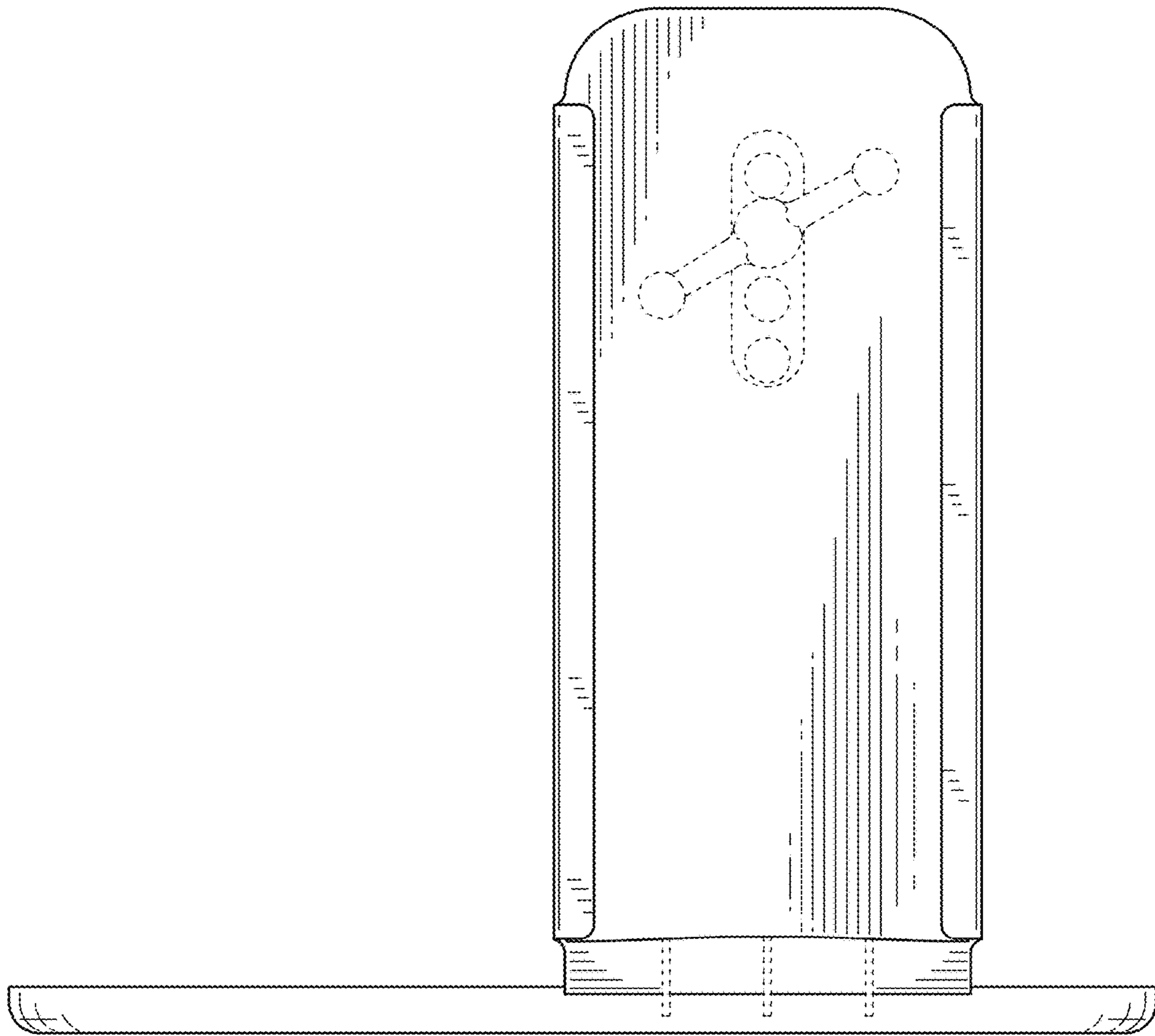


FIG. 5

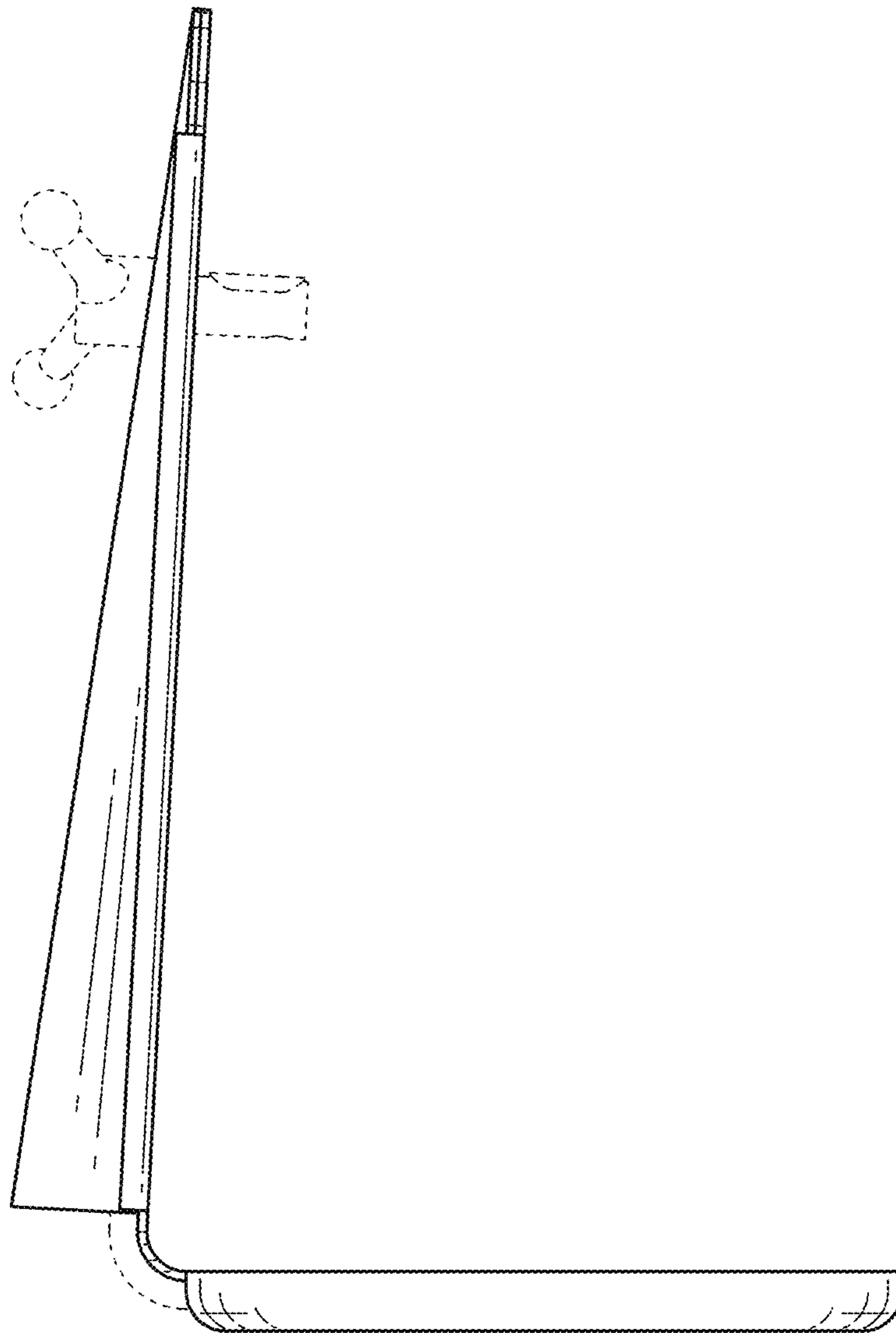


FIG. 6

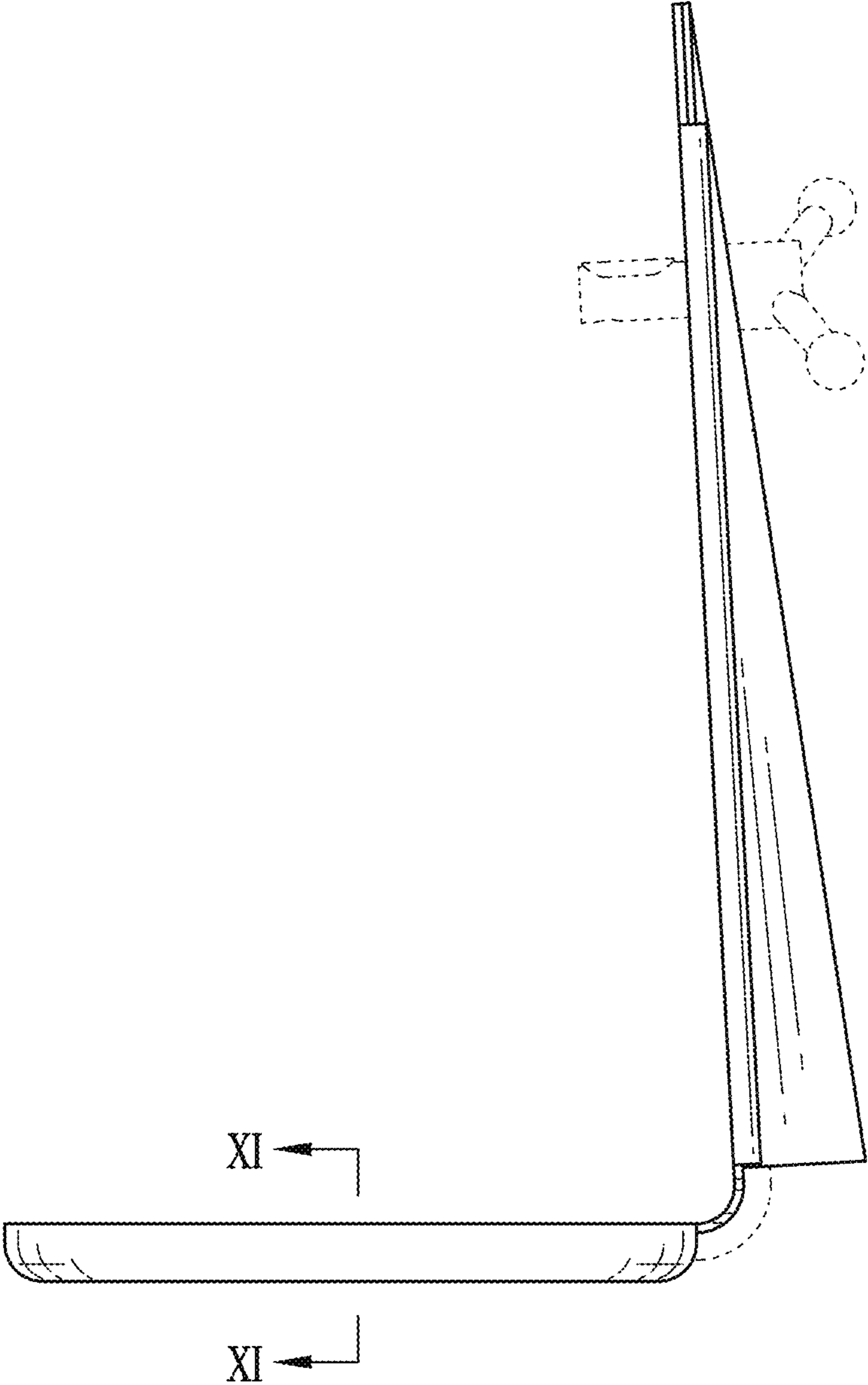
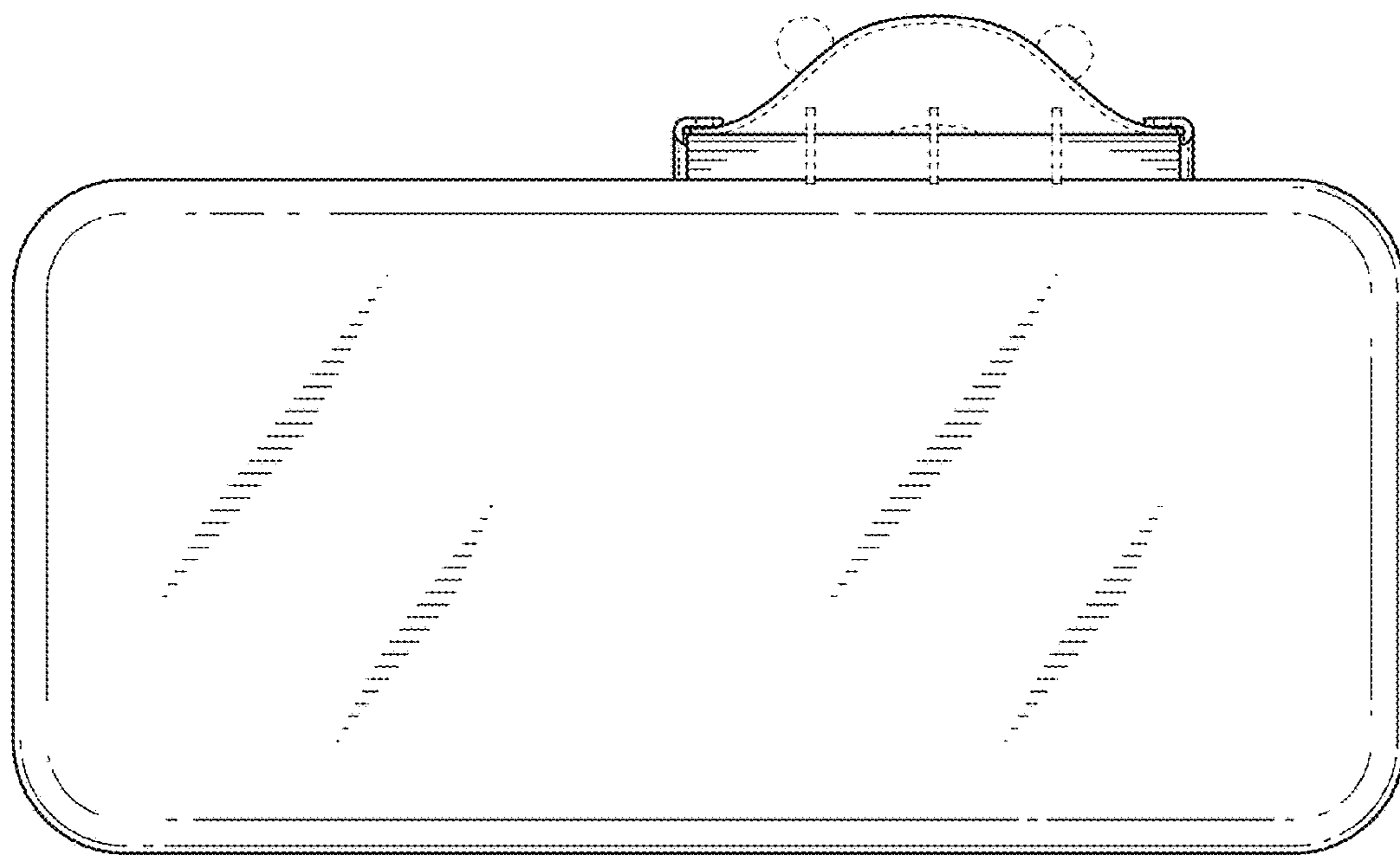
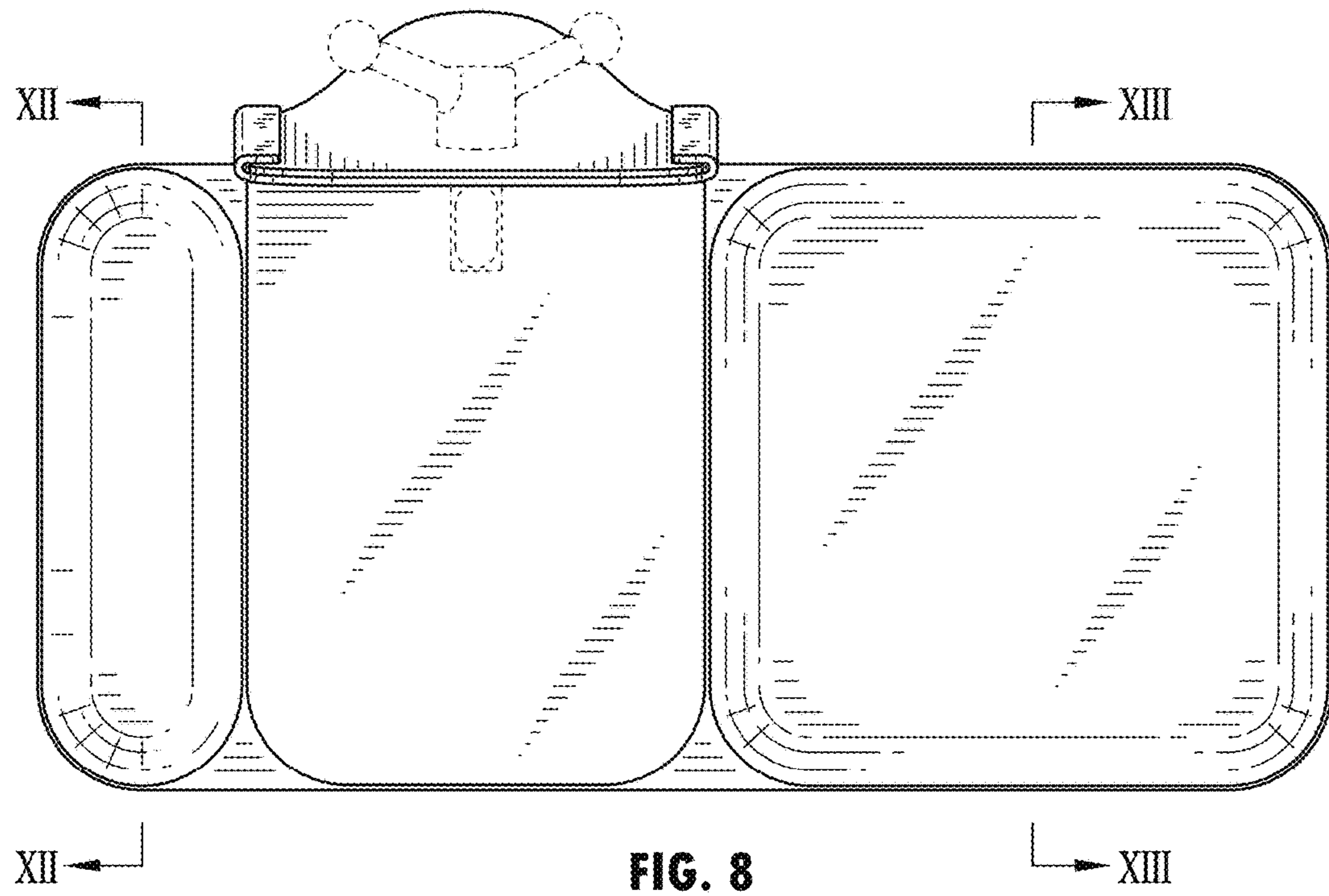


FIG. 7



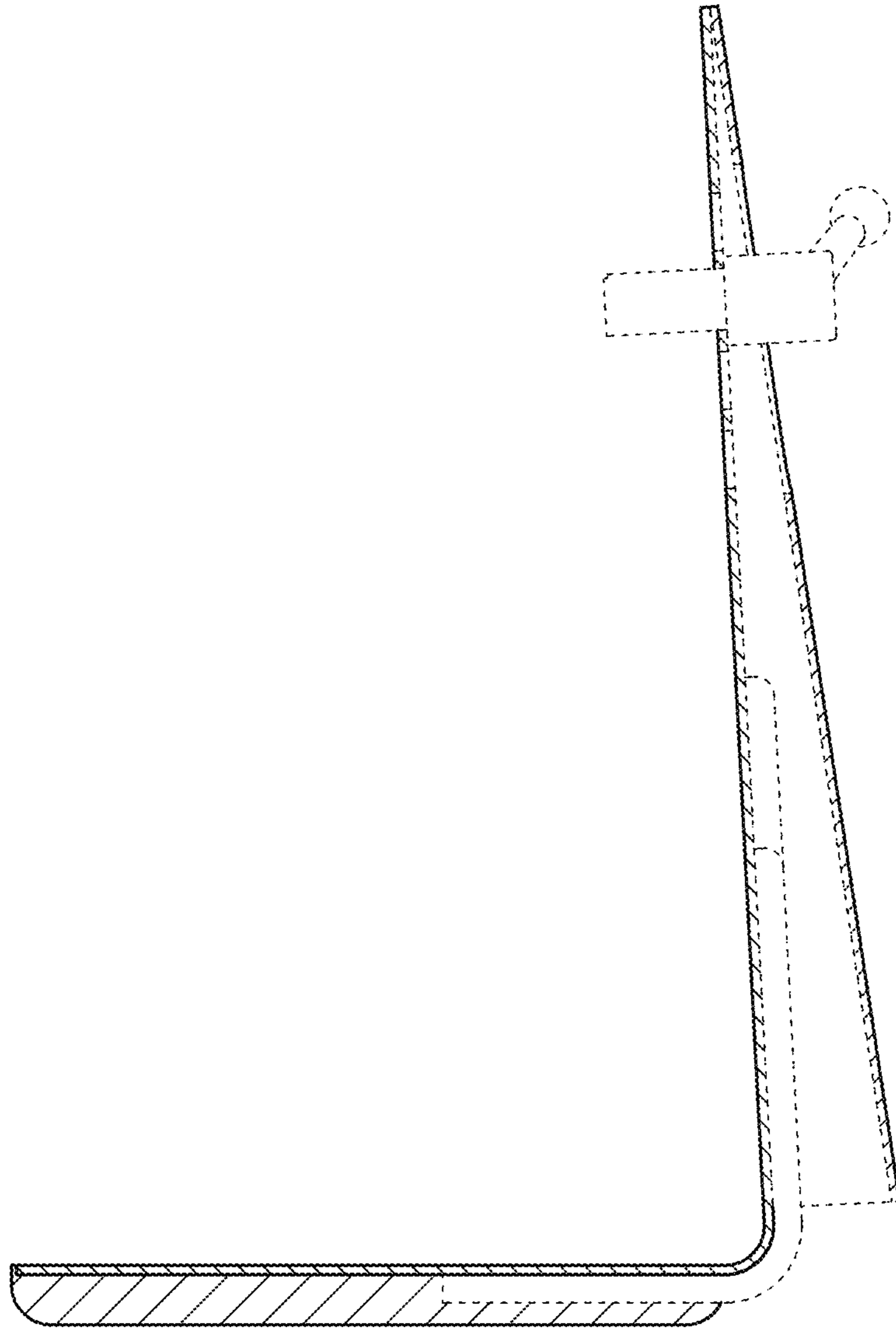


FIG. 10



FIG. 11

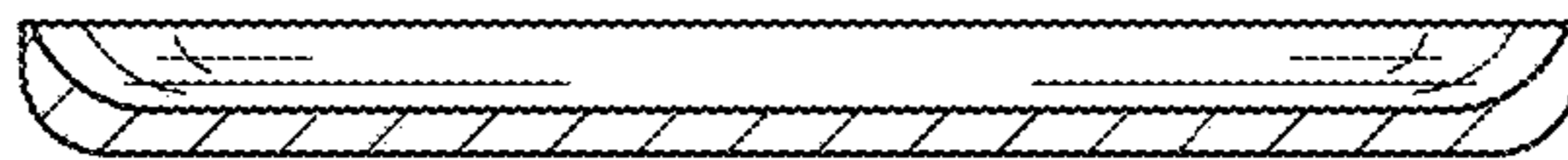


FIG. 12

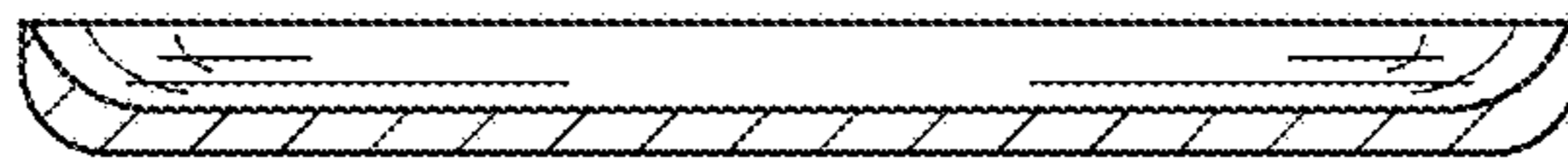


FIG. 13