



US00D830368S

(12) **United States Design Patent**  
**Zhang**

(10) **Patent No.:** **US D830,368 S**

(45) **Date of Patent:** **\*\* Oct. 9, 2018**

(54) **TABLET COVER INCLUDING A KICK  
STAND AND STYLUS HOLDER**

(71) Applicant: **New Trent Inc.**, San Jose, CA (US)

(72) Inventor: **Xiaofeng Zhang**, San Jose, CA (US)

(\*\*) Term: **15 Years**

(21) Appl. No.: **29/628,480**

(22) Filed: **Dec. 5, 2017**

(51) **LOC (11) Cl.** ..... **14-02**

(52) **U.S. Cl.**  
USPC ..... **D14/440**

(58) **Field of Classification Search**  
USPC ..... D14/440; 206/45.23, 320, 45.2;  
361/679.55; 294/25; 224/218  
CPC ... G06F 1/1628; G06F 1/1626; A47B 23/044;  
H04B 1/3888; H05K 5/0217  
See application file for complete search history.

(56) **References Cited**

**U.S. PATENT DOCUMENTS**

D733,154 S *	6/2015	Armstrong	.....	D14/440
D763,853 S *	8/2016	Pearce	.....	D14/440
D790,550 S *	6/2017	Chen	.....	D14/440
D803,221 S *	11/2017	Guo	.....	D14/440
D806,080 S *	12/2017	Chen	.....	D14/440
D807,369 S *	1/2018	Chen	.....	D14/440
D808,973 S *	1/2018	Chen	.....	D14/440
D811,412 S *	2/2018	McCurdy	.....	D14/440
D812,620 S *	3/2018	Cheng	.....	D14/440
2012/0075799 A1 *	3/2012	Pollex	.....	F16M 11/041 361/679.56

\* cited by examiner

*Primary Examiner* — Cynthia R Underwood

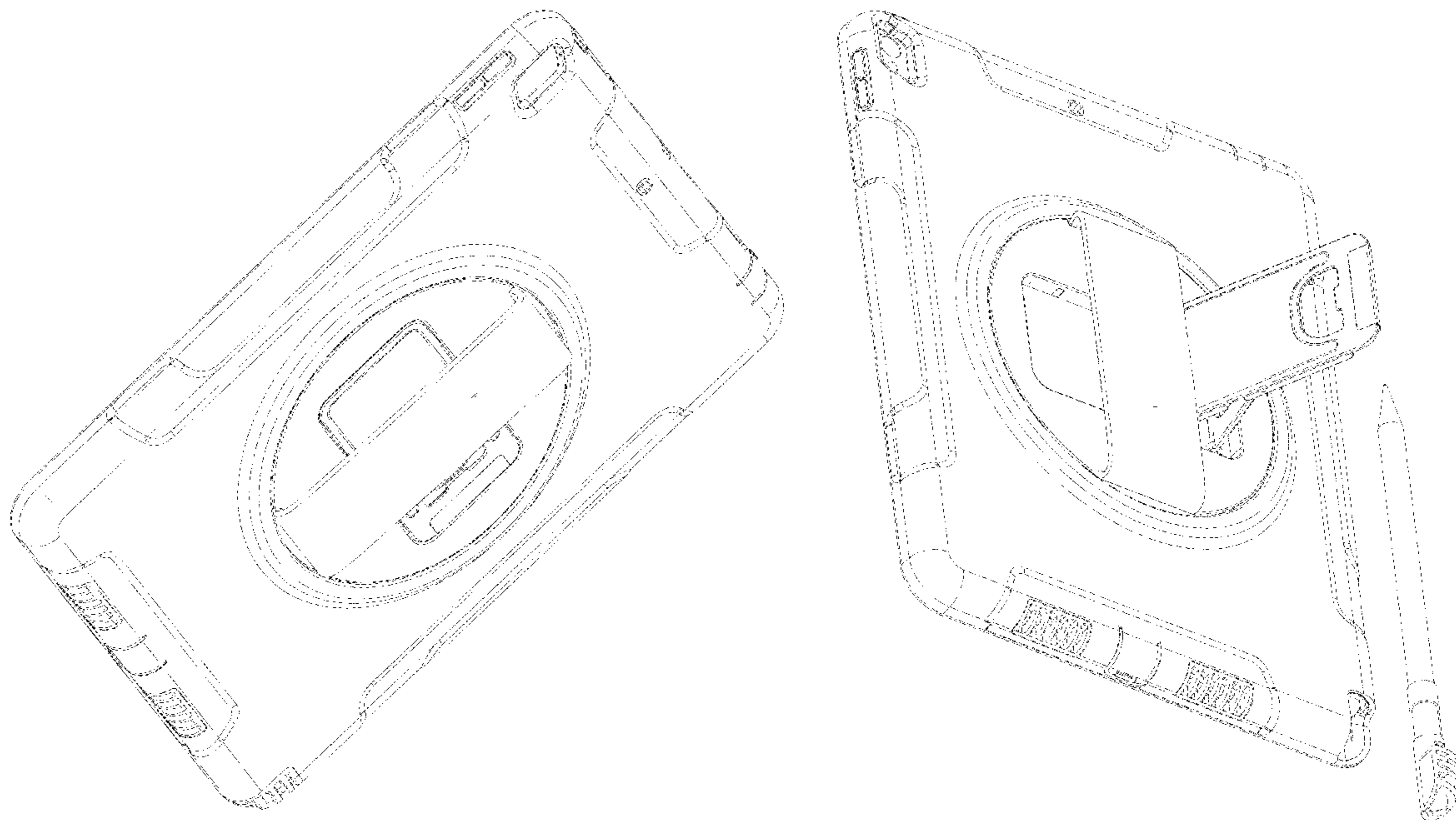
(57) **CLAIM**

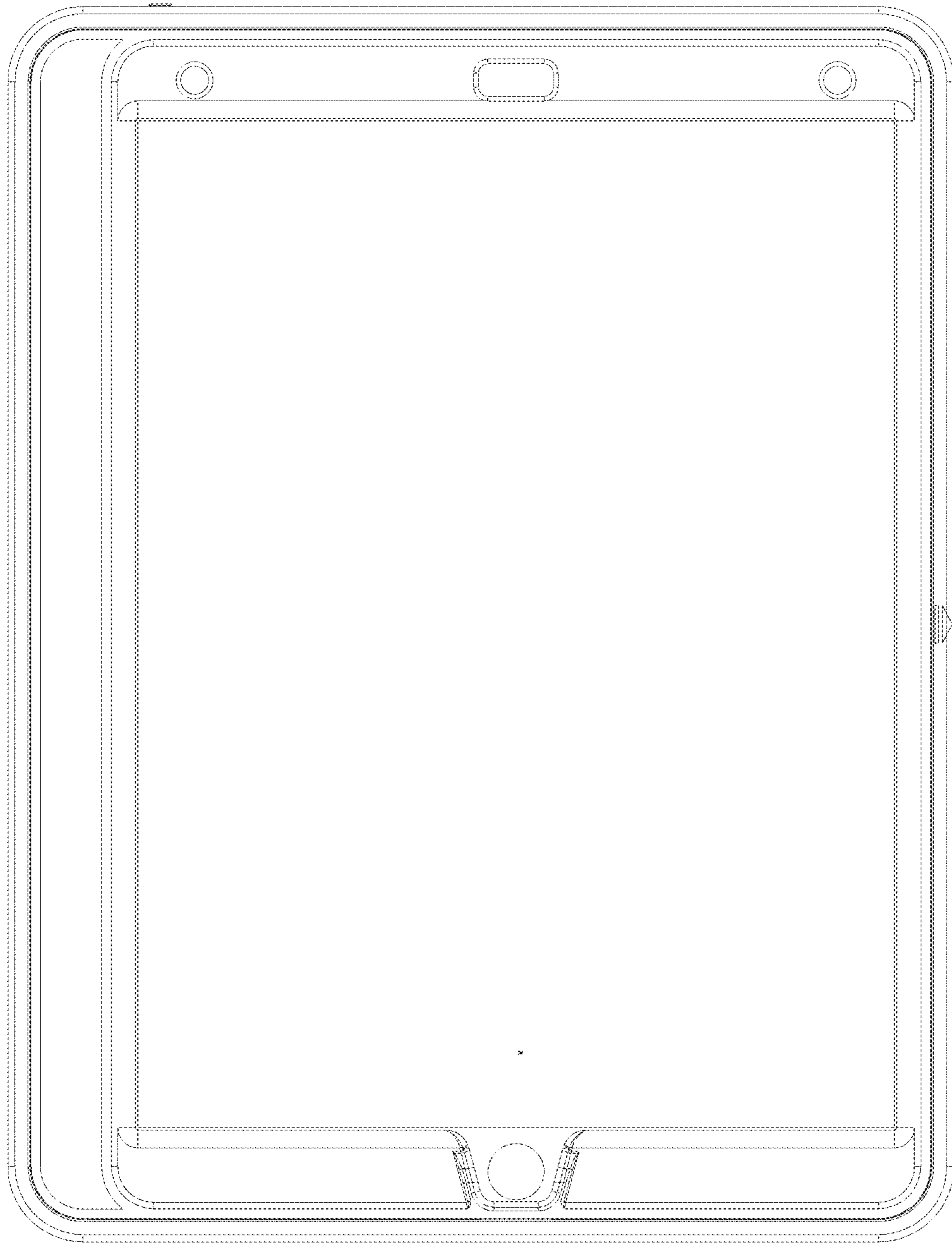
I claim the ornamental design for a tablet cover including a kick stand and stylus holder, as shown and described.

**DESCRIPTION**

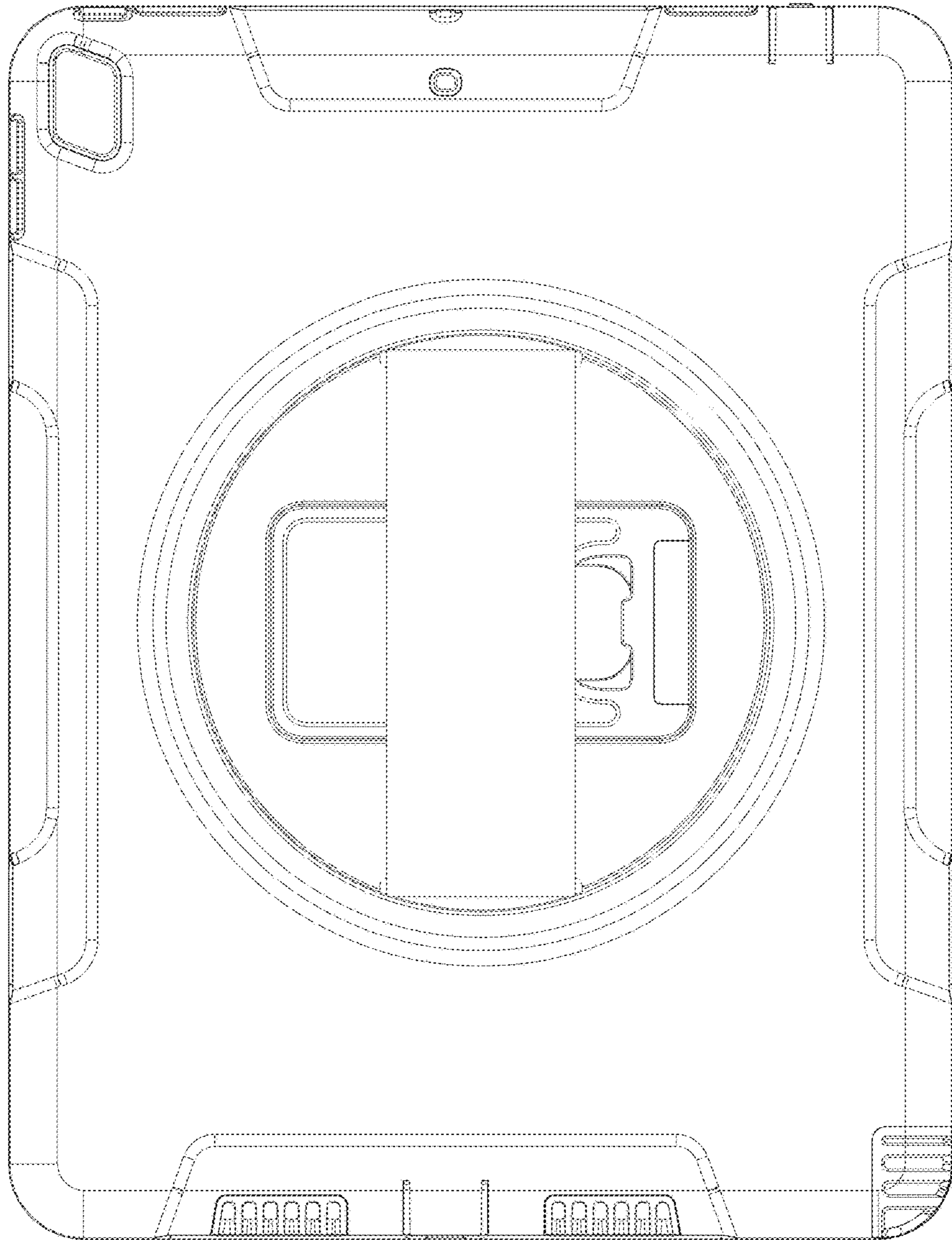
FIG. 1 is a front view of the tablet cover including a kick stand and stylus holder showing my new design.  
 FIG. 2 is back view thereof;  
 FIG. 3 is left side view thereof;  
 FIG. 4 is a right side view thereof;  
 FIG. 5 is a top view thereof;  
 FIG. 6 is a bottom view thereof;  
 FIG. 7 is a front perspective view thereof showing the right side;  
 FIG. 8 is a front perspective view thereof showing the left side;  
 FIG. 9 is a back perspective view thereof showing the right side;  
 FIG. 10 is a back perspective view thereof showing the left side;  
 FIG. 11 is a back perspective view thereof showing the right side and the kick stand extended outward;  
 FIG. 12 is a back perspective view thereof showing the right side, the kick stand extended outward, and the stylus partially removed;  
 FIG. 13 is a back perspective view thereof showing the right side, the kick stand extended outward, and the stylus removed;  
 FIG. 14 is a back view thereof showing the stylus partially removed; and,  
 FIG. 15 is a back view thereof showing the stylus removed. Surface shading is used to show the character and curved contour of the surfaces represented.

**1 Claim, 15 Drawing Sheets**

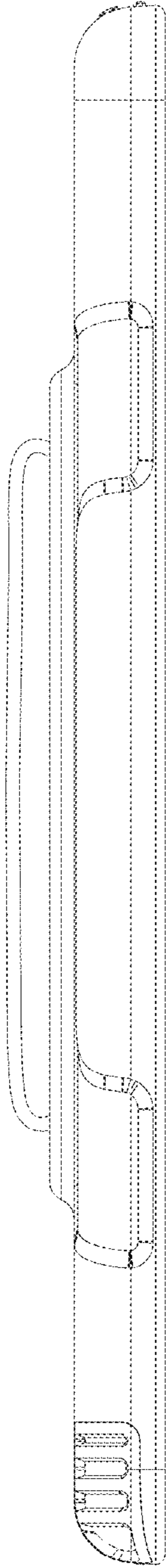




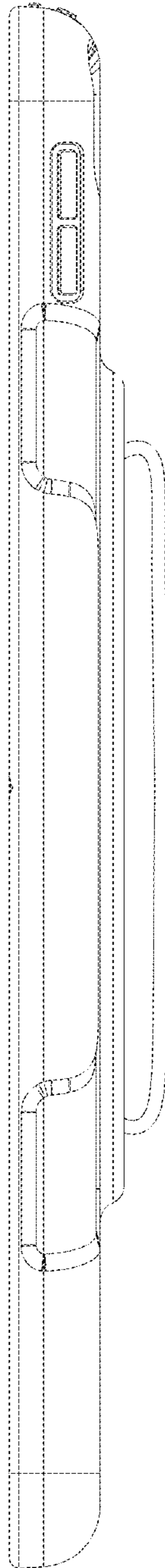
**FIG. 1**



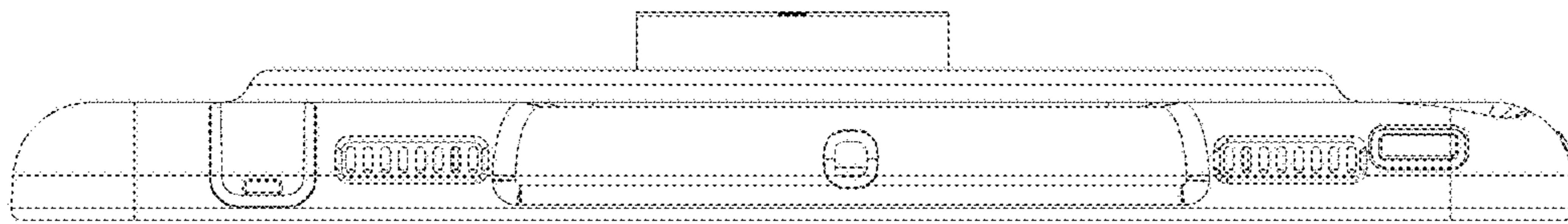
**FIG. 2**



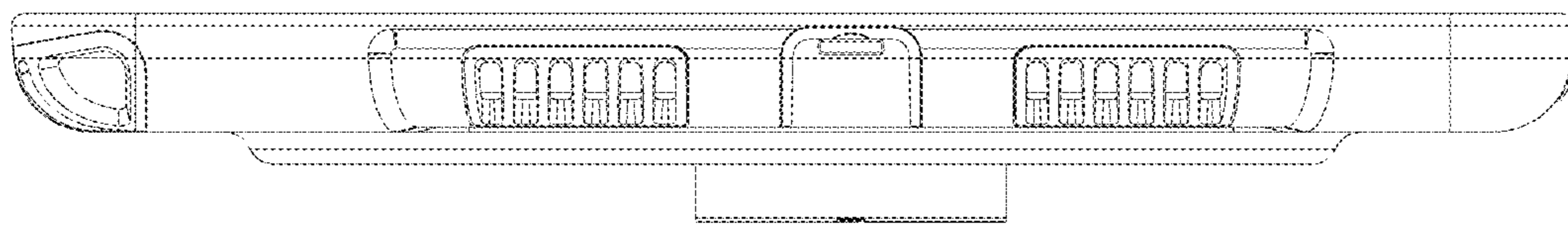
**FIG. 3**



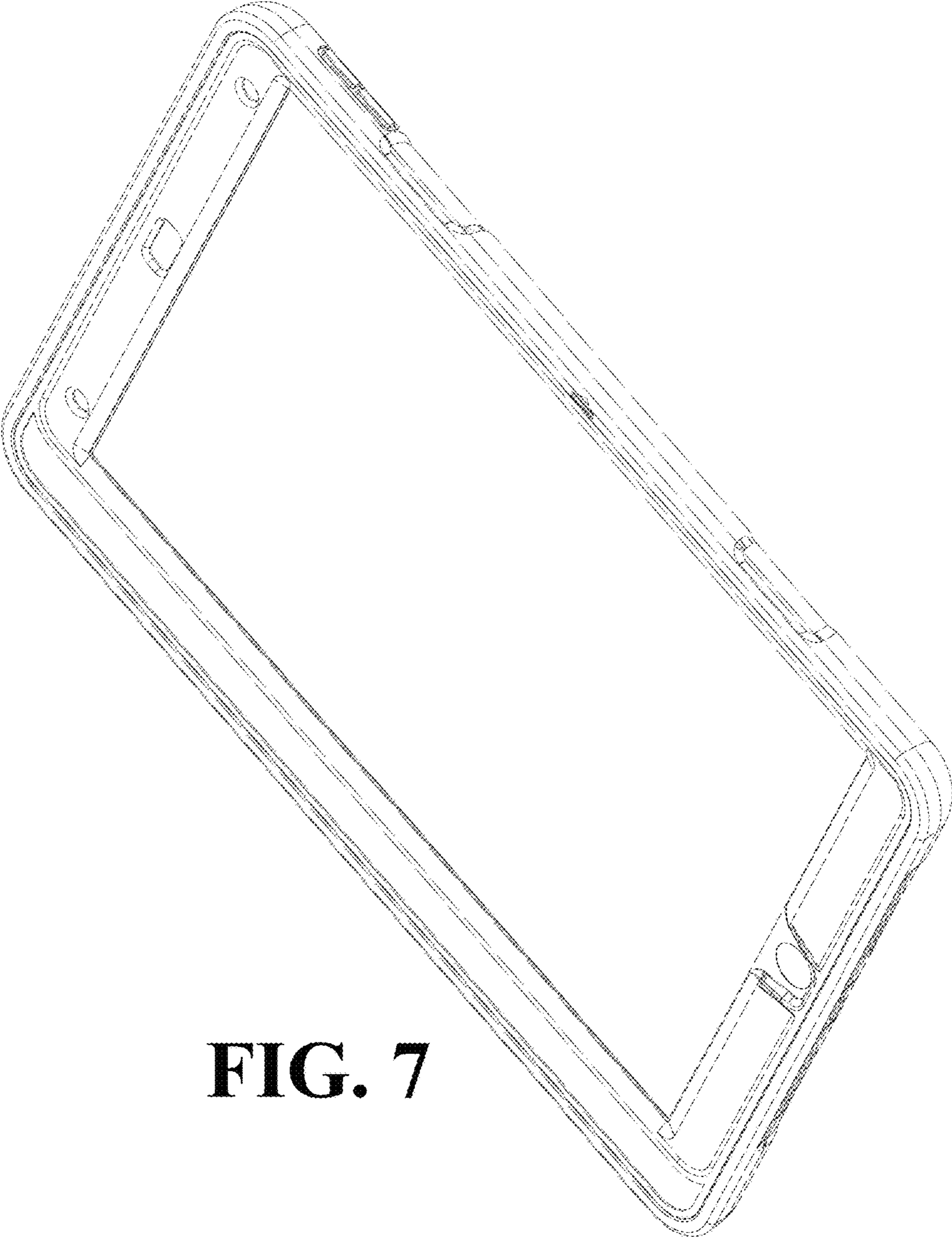
**FIG. 4**



**FIG. 5**

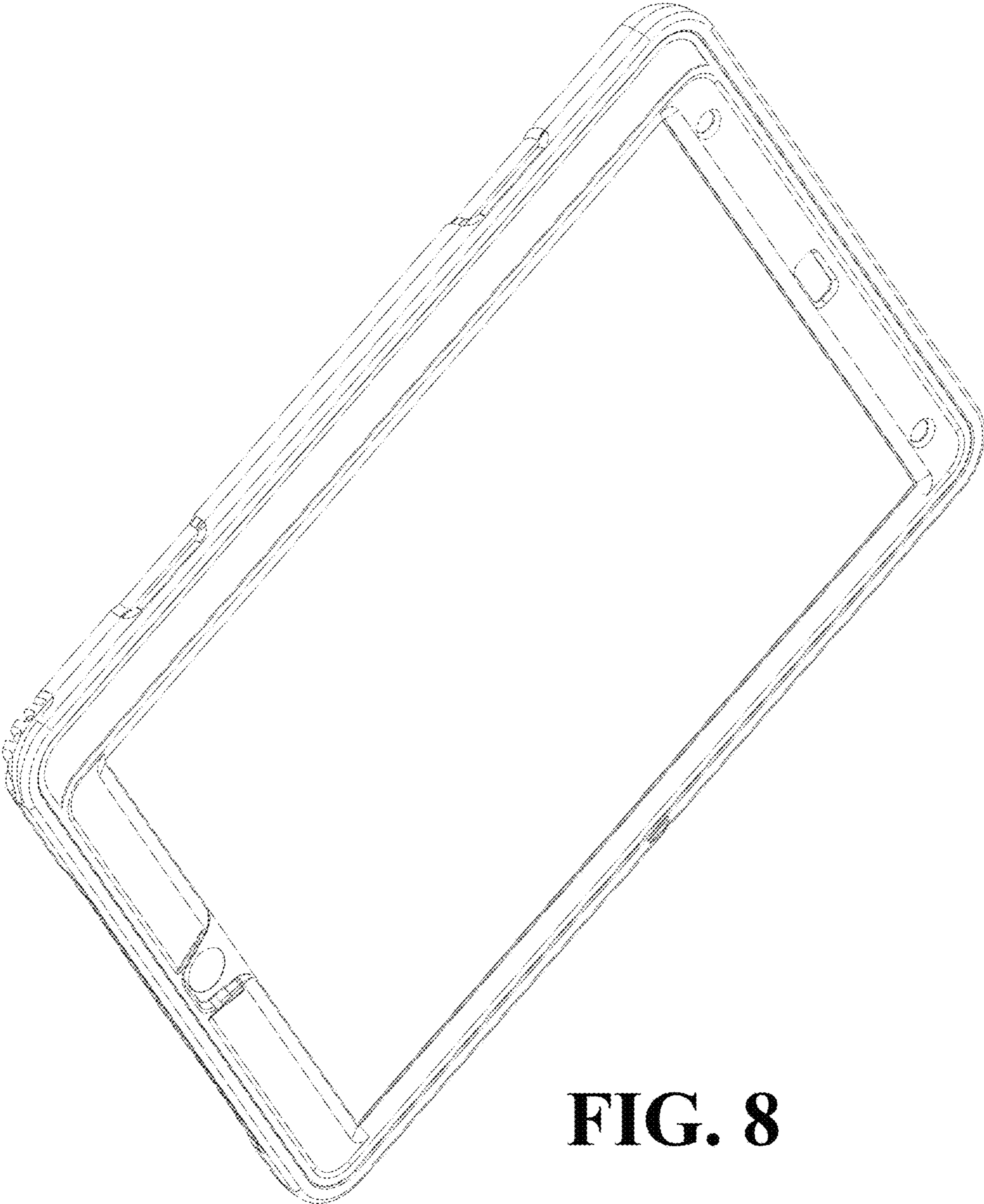


**FIG. 6**

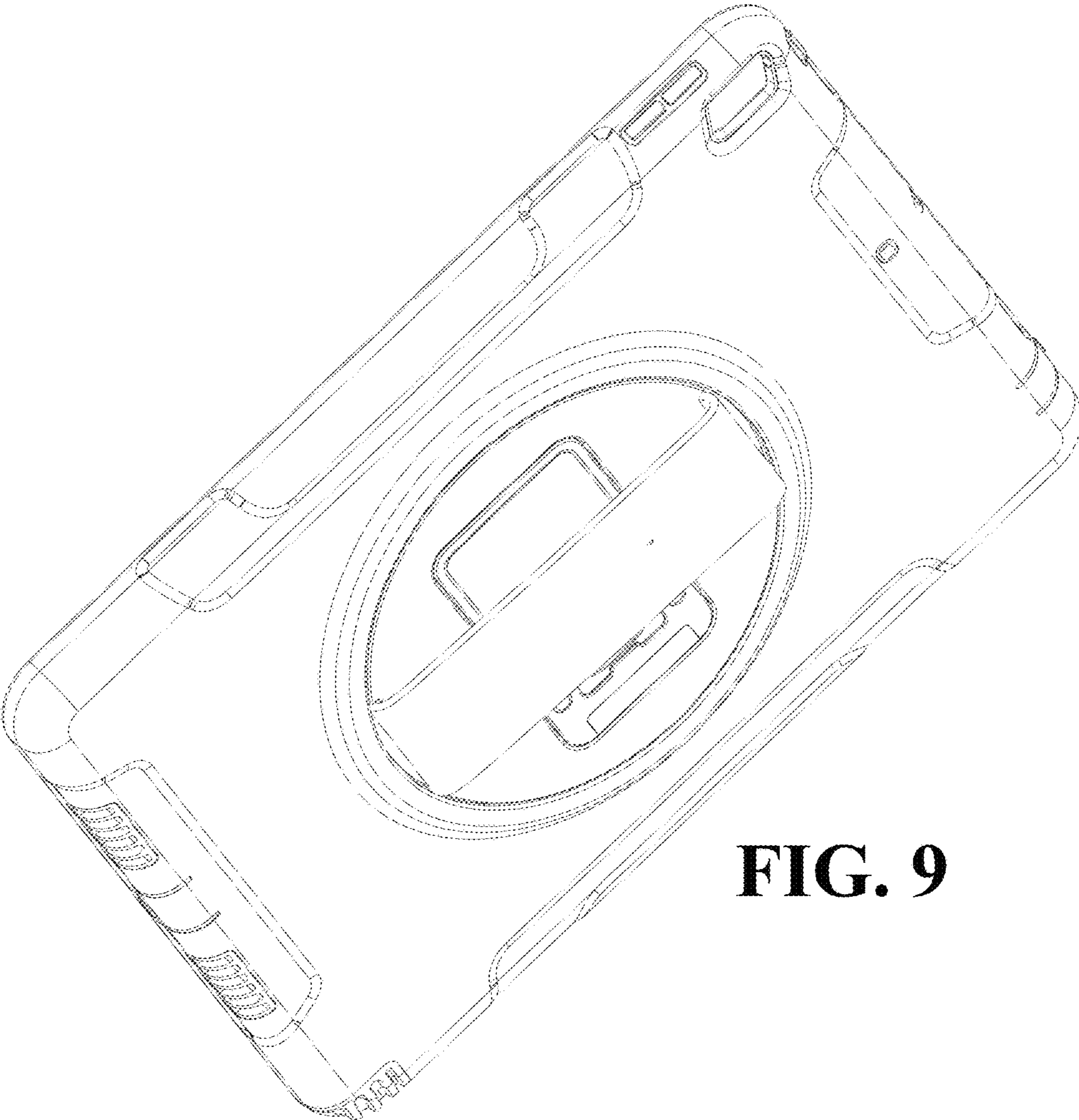


**FIG. 7**

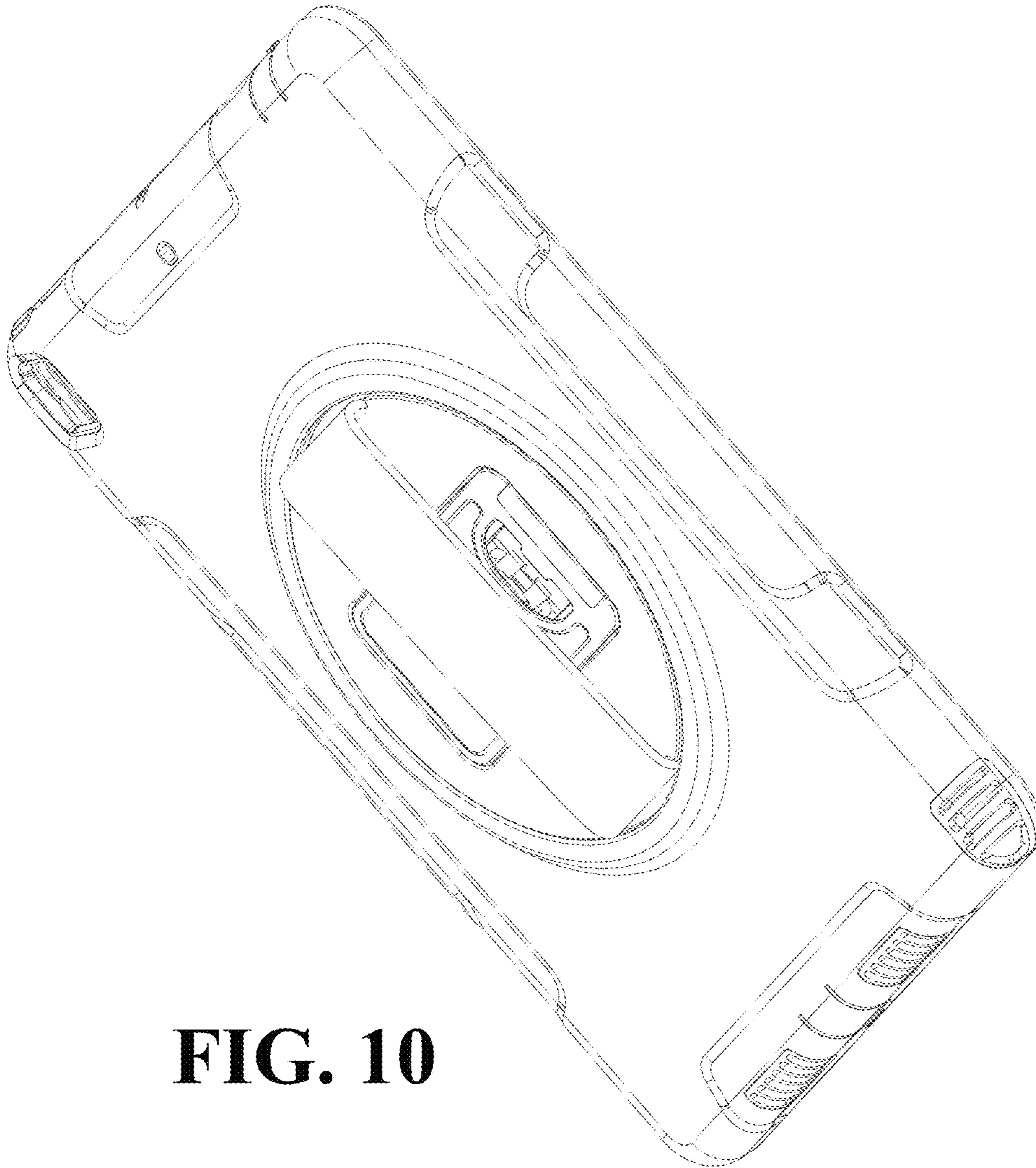




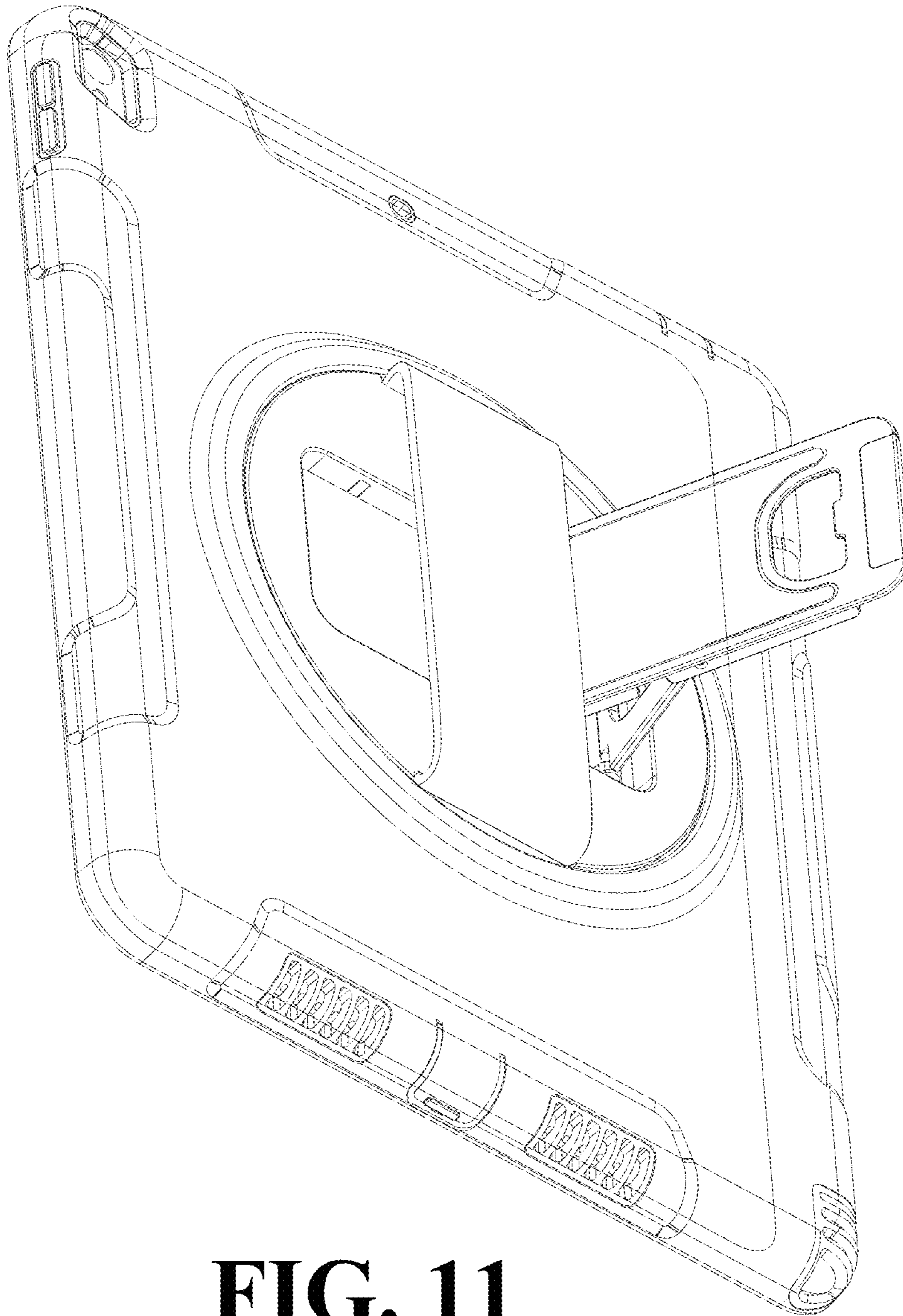
**FIG. 8**



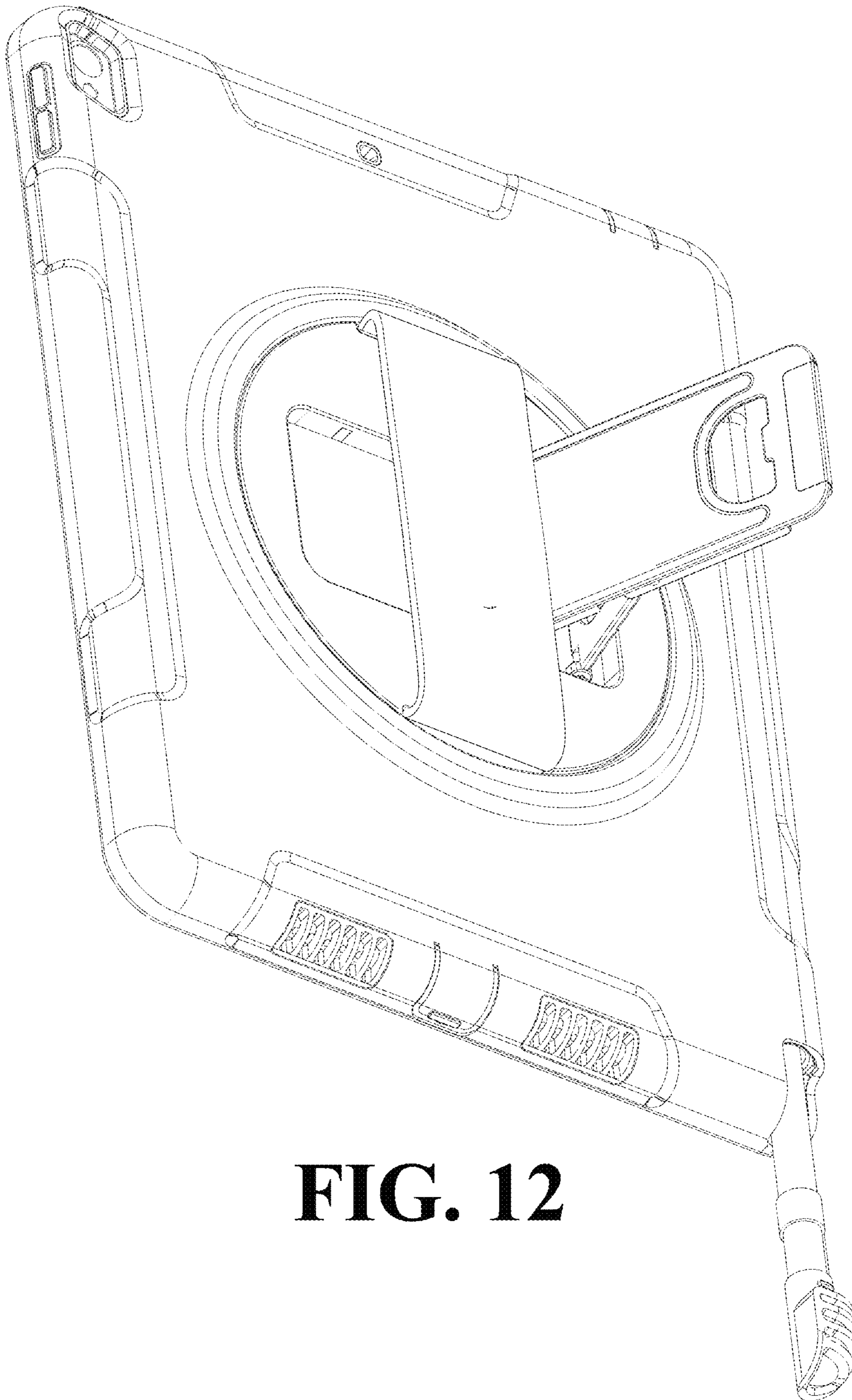
**FIG. 9**



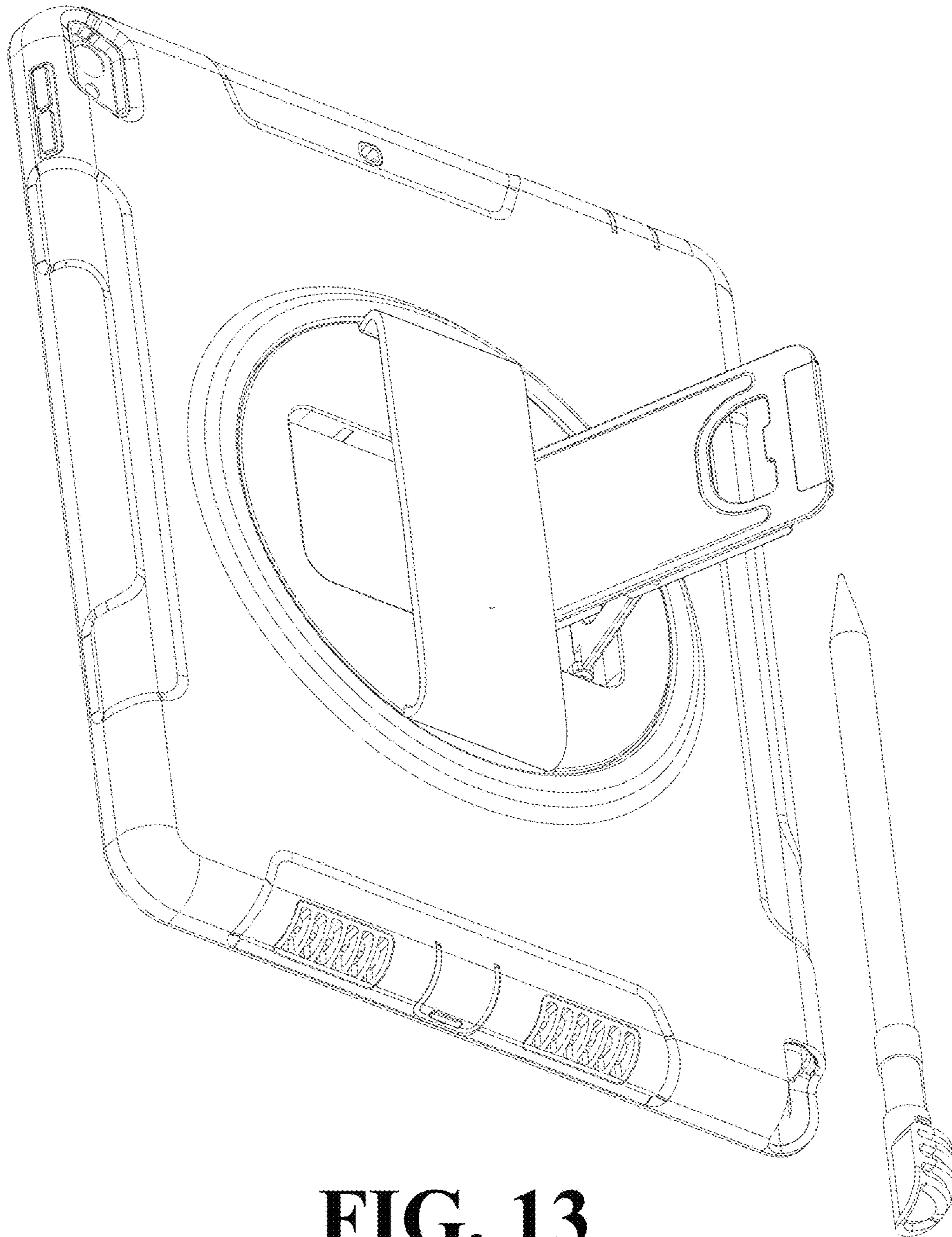
**FIG. 10**



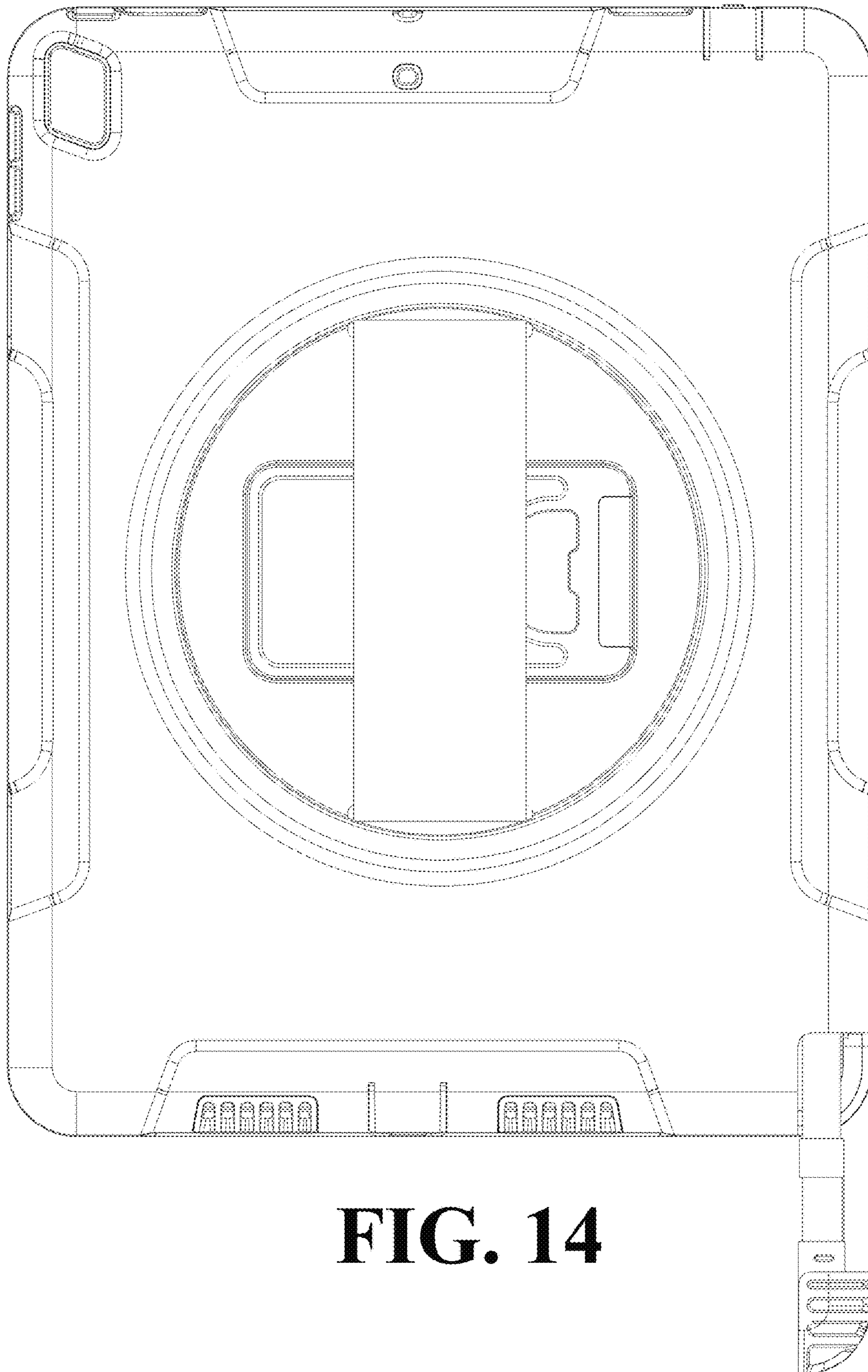
**FIG. 11**



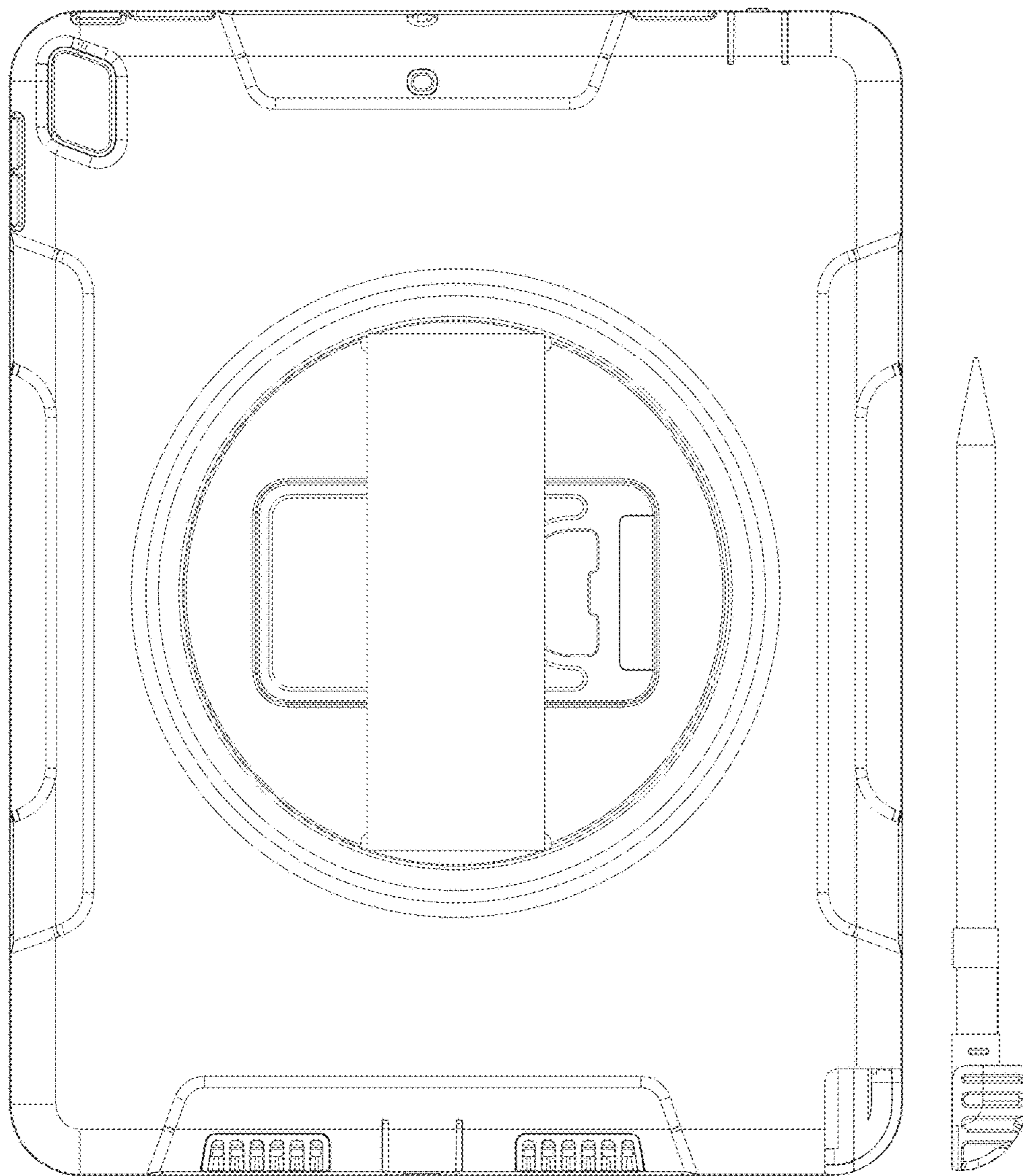
**FIG. 12**



**FIG. 13**



**FIG. 14**



**FIG. 15**