



US00D830367S

(12) **United States Design Patent**  
**Chang**

(10) **Patent No.:** **US D830,367 S**

(45) **Date of Patent:** **\*\* Oct. 9, 2018**

(54) **HAND STRAP**

(71) Applicant: **Getac Technology Corporation,**  
Hsinchu County (TW)

(72) Inventor: **Chia-Wei Chang,** Taipei (TW)

(73) Assignee: **GETAC TECHNOLOGY**  
**CORPORATION,** Hsinchu County  
(TW)

(\*\*) Term: **15 Years**

(21) Appl. No.: **29/623,117**

(22) Filed: **Oct. 23, 2017**

(51) **LOC (11) Cl.** ..... **14-02**

(52) **U.S. Cl.**  
USPC ..... **D14/440**

(58) **Field of Classification Search**  
USPC ..... D14/440; 206/45.23, 320, 45.2;  
361/679.55; 294/25; 224/218  
CPC ... G06F 1/1628; G06F 1/1626; A47B 23/044;  
H04B 1/3888; H05K 5/0217  
See application file for complete search history.

(56) **References Cited**

**U.S. PATENT DOCUMENTS**

6,726,070	B2 *	4/2004	Lautner	.....	A44C 5/0007	224/221
D492,303	S *	6/2004	Schlieffers	.....	D14/341	
D591,801	S *	5/2009	Mak	.....	D21/469	
D594,004	S *	6/2009	Takemasa	.....	D14/341	
D611,467	S *	3/2010	Gou	.....	D14/315	
D613,285	S *	4/2010	Grant	.....	D14/341	
D626,123	S *	10/2010	Peng	.....	D14/324	
D669,890	S *	10/2012	Hopkins	.....	D14/251	
D676,449	S *	2/2013	Probst	.....	D14/440	
D685,376	S *	7/2013	Kim	.....	D14/439	
D689,056	S *	9/2013	Li	.....	D14/440	
D690,704	S *	10/2013	Padilla	.....	D14/440	

D691,144	S *	10/2013	Peters	.....	D14/440	
D691,146	S *	10/2013	Perez	.....	D14/440	
D694,246	S *	11/2013	Park	.....	D14/440	
D703,672	S *	4/2014	Kim	.....	D14/440	
8,690,210	B1 *	4/2014	May	.....	A45F 5/00	224/217
D705,767	S *	5/2014	Yoon	.....	D14/250	
D712,412	S *	9/2014	Bleau	.....	D14/440	
D719,951	S *	12/2014	Fenton	.....	D14/253	
D721,075	S *	1/2015	Toda	.....	D14/342	
D721,376	S *	1/2015	Lee	.....	D14/440	
D725,659	S *	3/2015	Tussy	.....	D14/440	

(Continued)

*Primary Examiner* — Cynthia R Underwood

(74) *Attorney, Agent, or Firm* — Locke Lord LLP; Tim Tingkang Xia, Esq.

(57) **CLAIM**

The ornamental design for a hand strap, as shown and described.

**DESCRIPTION**

FIG. 1 is a perspective view of a hand strap showing the claimed design;

FIG. 2 is a front elevational view thereof;

FIG. 3 is a rear elevational view thereof;

FIG. 4 is a left side elevational view thereof;

FIG. 5 is a right side elevational view thereof;

FIG. 6 is a top plan view thereof;

FIG. 7 is a bottom plan view thereof;

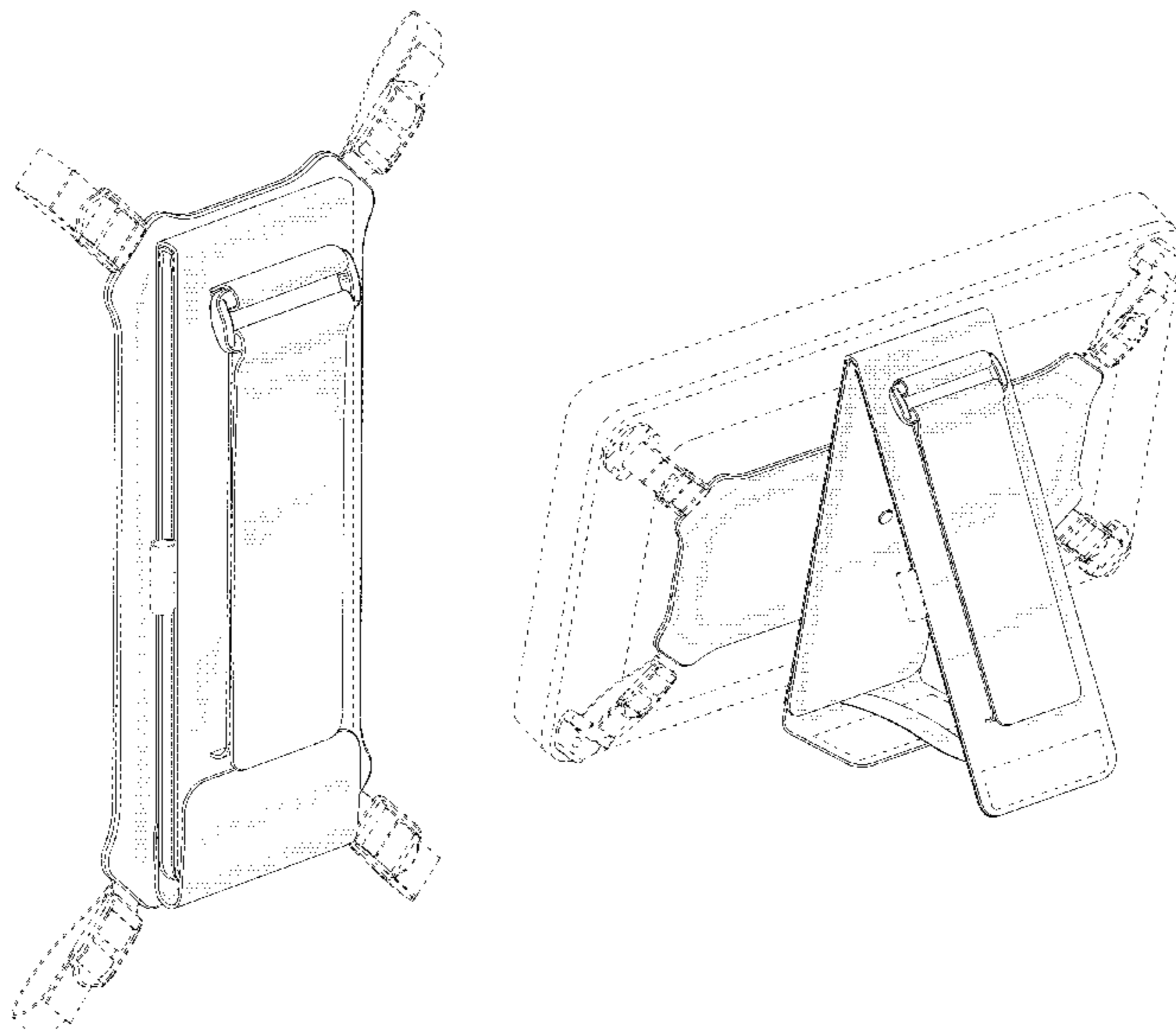
FIG. 8 is another perspective view showing the hand strap for use with a portable electronic device;

FIG. 9 is another perspective view showing the hand strap for use with a portable electronic device; and,

FIG. 10 is another perspective view showing the hand strap being extended to support a portable electronic device.

The broken lines are directed to environment and are for illustrative purpose only; the broken lines form no part of the claimed design.

**1 Claim, 10 Drawing Sheets**



(56)

References Cited

U.S. PATENT DOCUMENTS

D727,917 S \* 4/2015 Yeo ..... D14/440  
 D733,154 S \* 6/2015 Armstrong ..... D14/440  
 D741,335 S \* 10/2015 Bastian ..... D14/440  
 D747,321 S \* 1/2016 London ..... D14/440  
 D749,592 S \* 2/2016 Huang ..... D14/440  
 D752,052 S \* 3/2016 Park ..... D14/440  
 D754,666 S \* 4/2016 Tiffen ..... D14/440  
 D763,853 S \* 8/2016 Pearce ..... D14/440  
 D765,085 S \* 8/2016 Moore ..... D14/440  
 9,407,743 B1 \* 8/2016 Hirshberg ..... H04M 1/04  
 D766,249 S \* 9/2016 Veltz ..... D14/440  
 D768,137 S \* 10/2016 Ju ..... D14/440  
 D771,030 S \* 11/2016 Tussy ..... D14/250  
 D784,350 S \* 4/2017 Li ..... D14/440  
 D794,007 S \* 8/2017 Zhang ..... D14/250  
 D794,625 S \* 8/2017 Armstrong ..... D14/250  
 D797,106 S \* 9/2017 Paolizzi ..... D14/426  
 D803,222 S \* 11/2017 Cheng ..... D14/440  
 D806,083 S \* 12/2017 Armstrong ..... D14/440  
 D807,366 S \* 1/2018 Chen ..... D14/440  
 D817,316 S \* 5/2018 Srou ..... D14/251  
 D821,405 S \* 6/2018 Chen ..... D14/440

2004/0226973 A1\* 11/2004 Kao ..... F16M 11/041  
 224/218  
 2007/0215512 A1\* 9/2007 Bellissimo ..... A47G 23/0625  
 206/557  
 2009/0219677 A1\* 9/2009 Mori ..... A45F 3/14  
 361/679.03  
 2011/0267748 A1\* 11/2011 Lane ..... A45F 5/00  
 361/679.01  
 2011/0309117 A1\* 12/2011 Roberts ..... A45F 5/00  
 224/217  
 2012/0091312 A1\* 4/2012 Baker ..... F16M 13/00  
 248/682  
 2014/0054910 A1\* 2/2014 Kim ..... H04B 1/385  
 294/158  
 2014/0152034 A1\* 6/2014 Tussy ..... F16M 13/04  
 294/142  
 2015/0009610 A1\* 1/2015 London ..... G06F 1/163  
 361/679.03  
 2015/0068934 A1\* 3/2015 Armstrong ..... A45C 11/00  
 206/320  
 2015/0201743 A1\* 7/2015 Erickson-Davis ..... A45F 5/00  
 224/218  
 2017/0045920 A1\* 2/2017 Armstrong ..... G06F 1/1669

\* cited by examiner

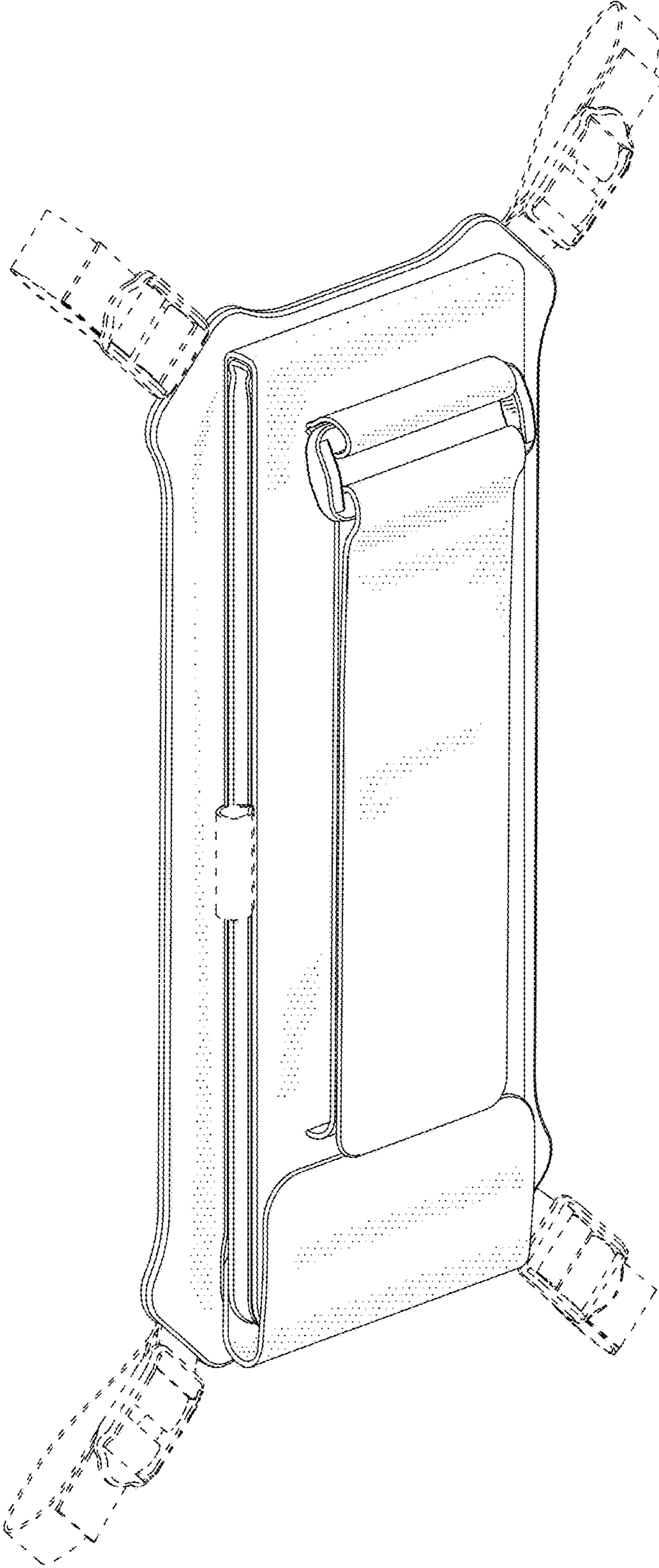


FIG.1

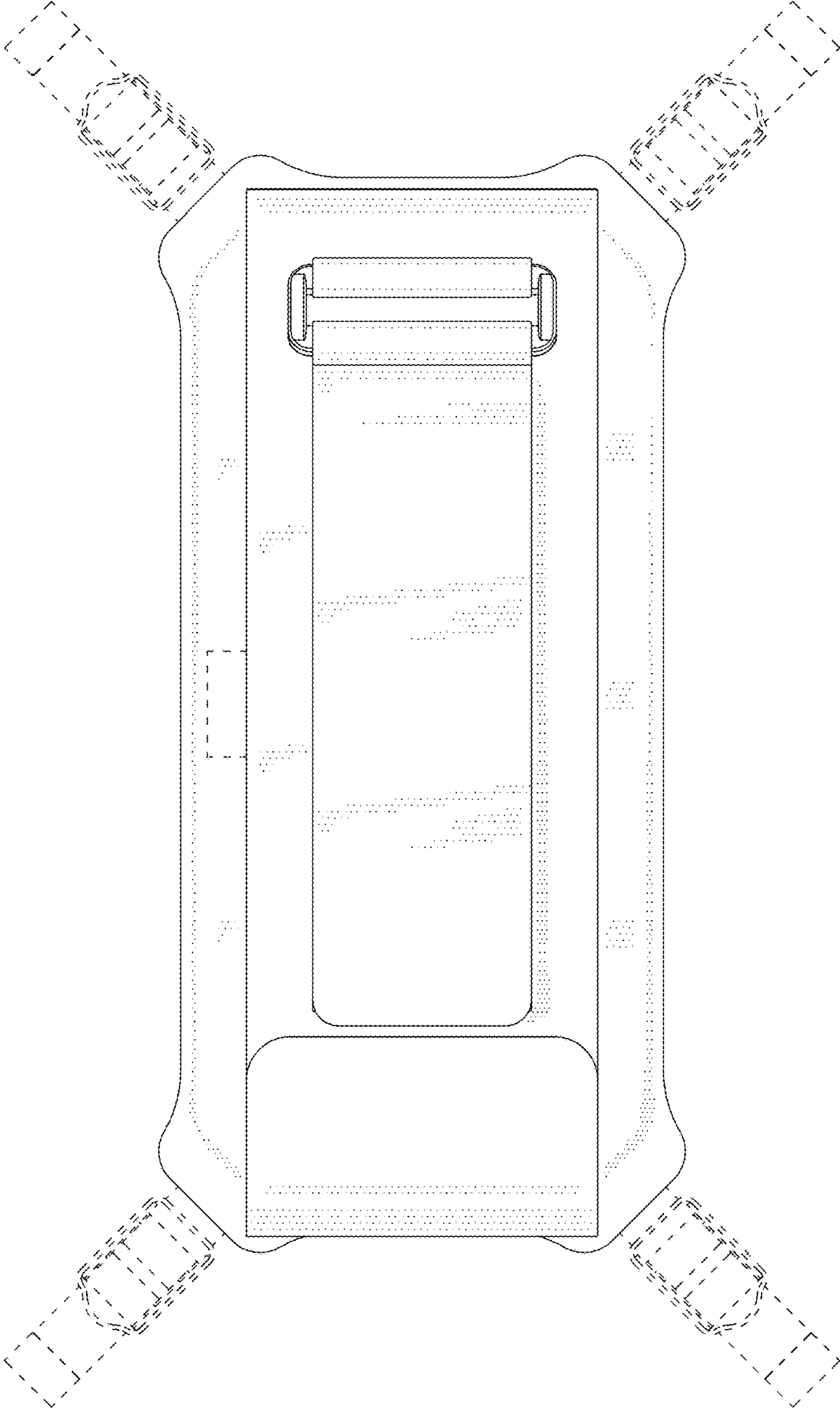


FIG.2

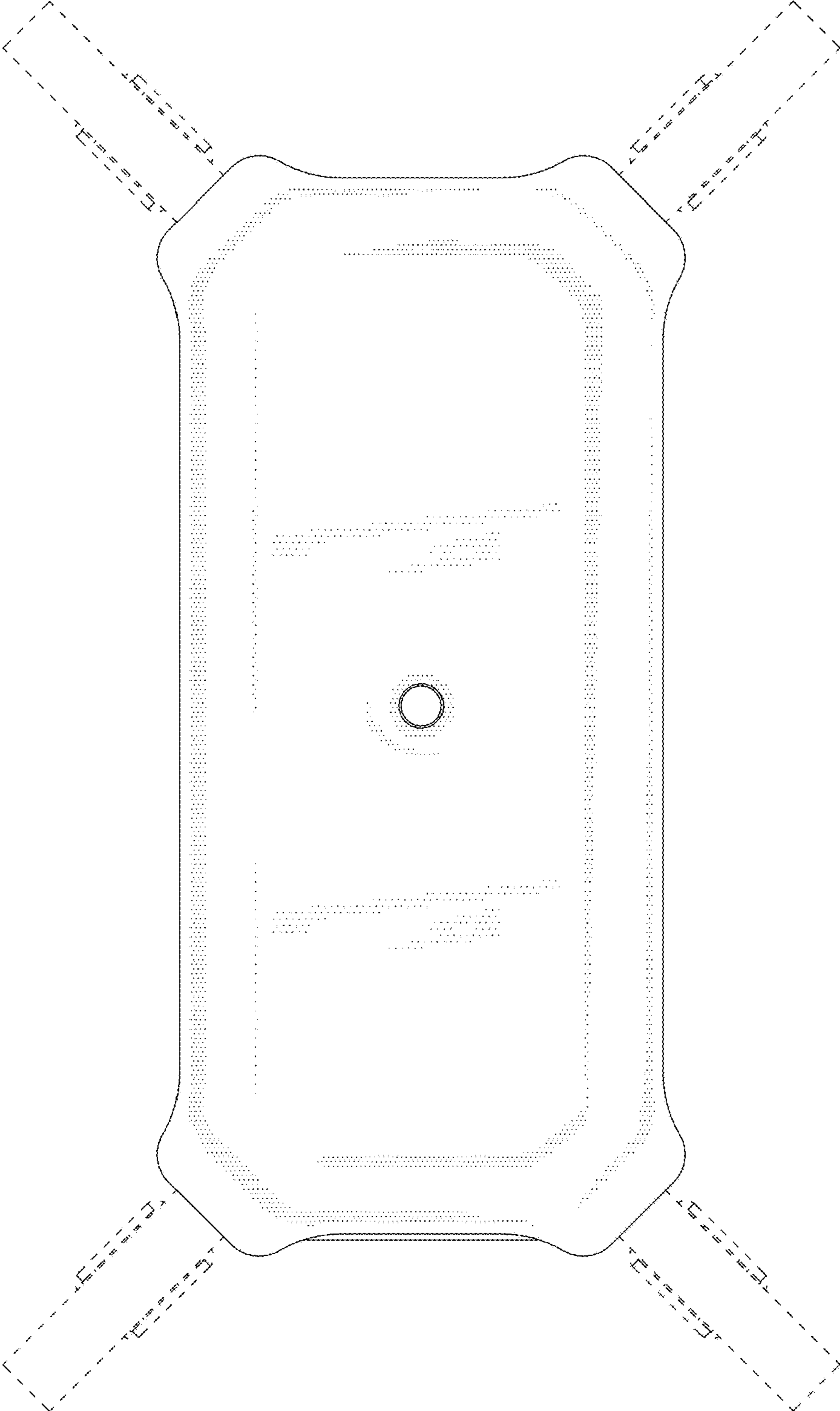


FIG.3

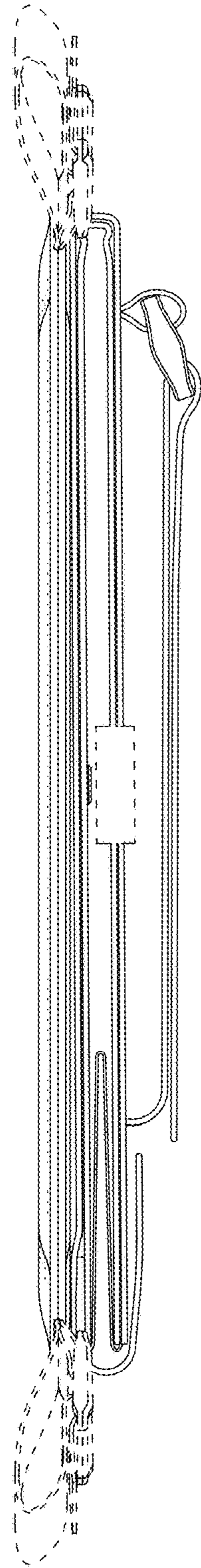


FIG.4

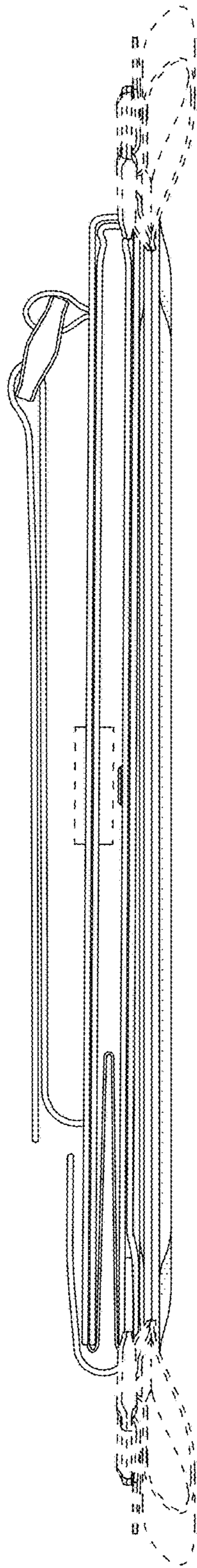


FIG.5

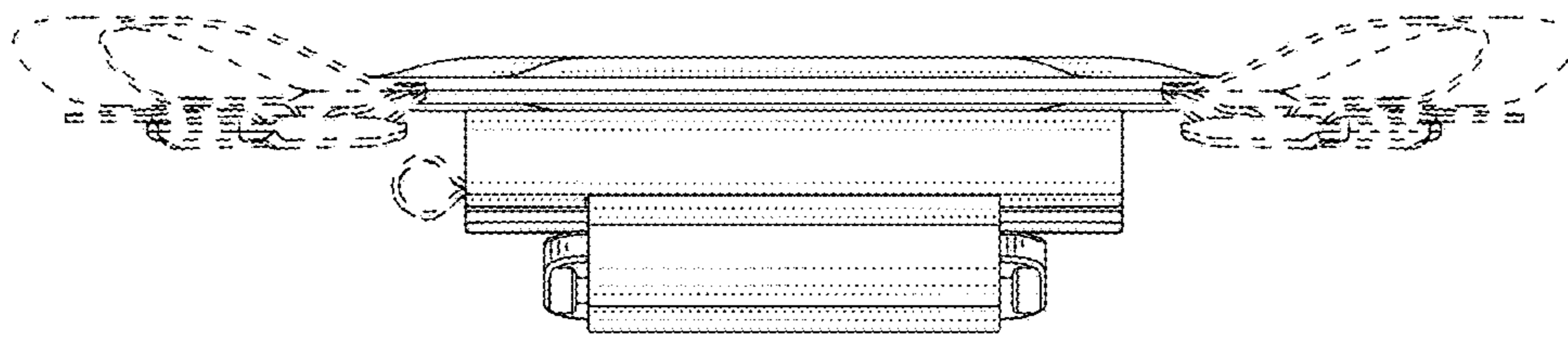


FIG.6



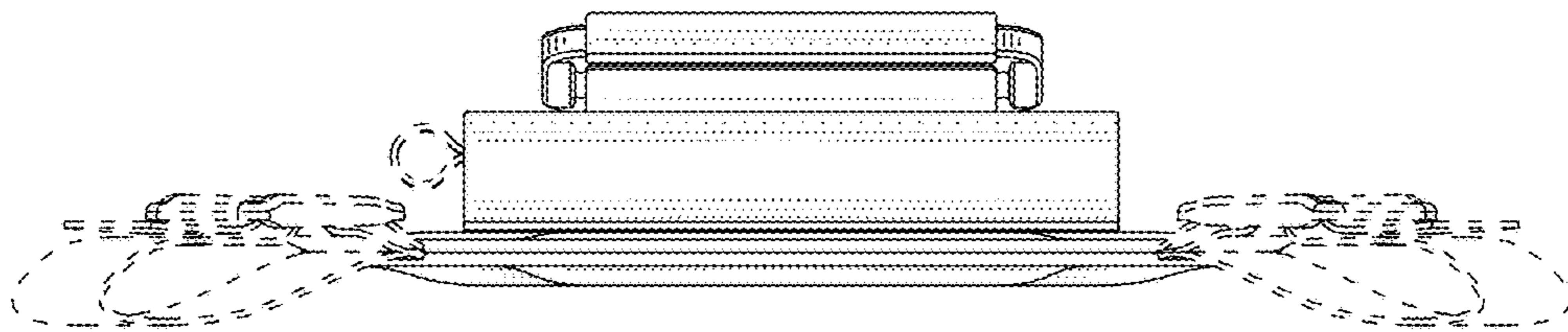


FIG. 7

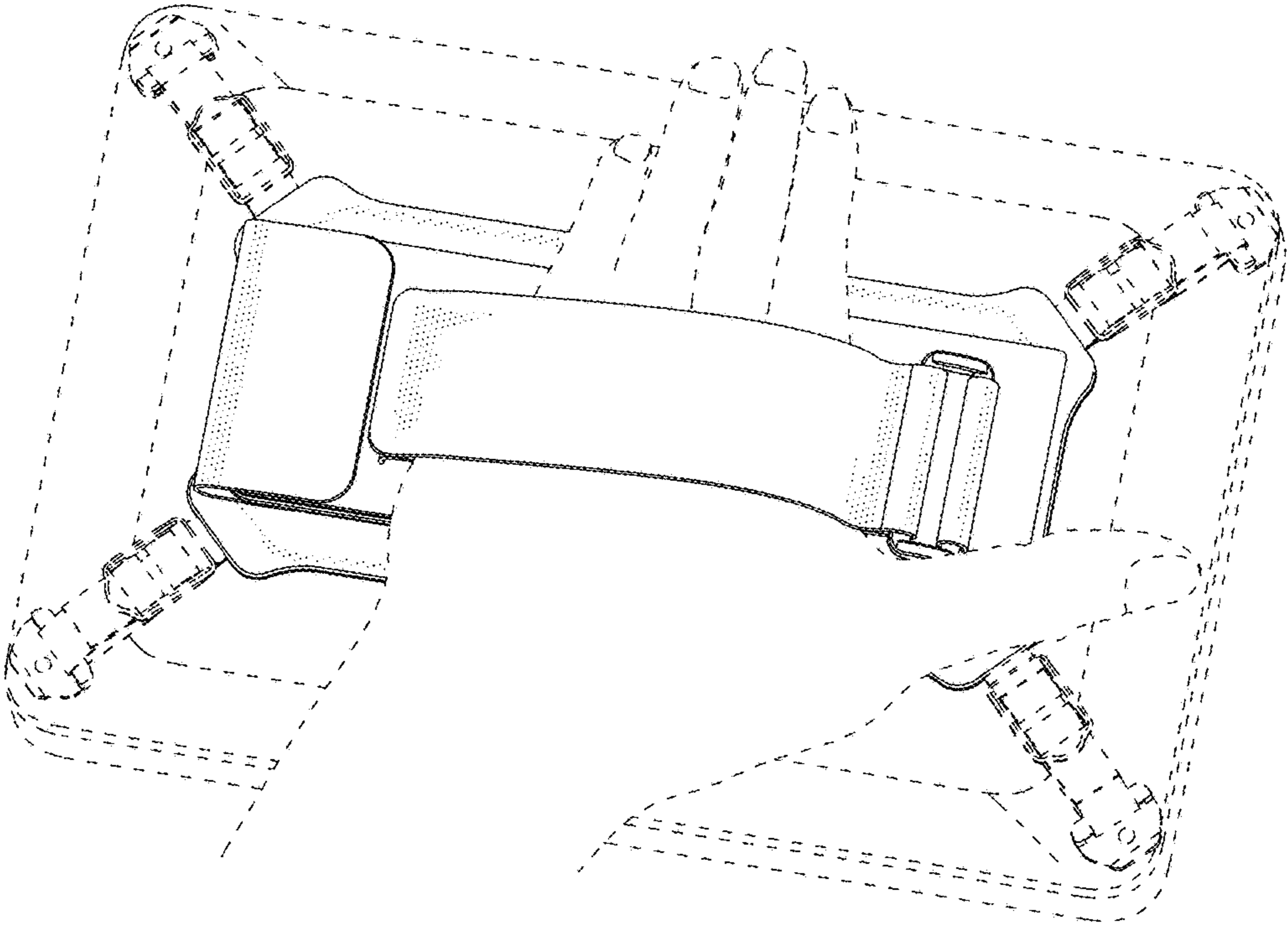


FIG.8

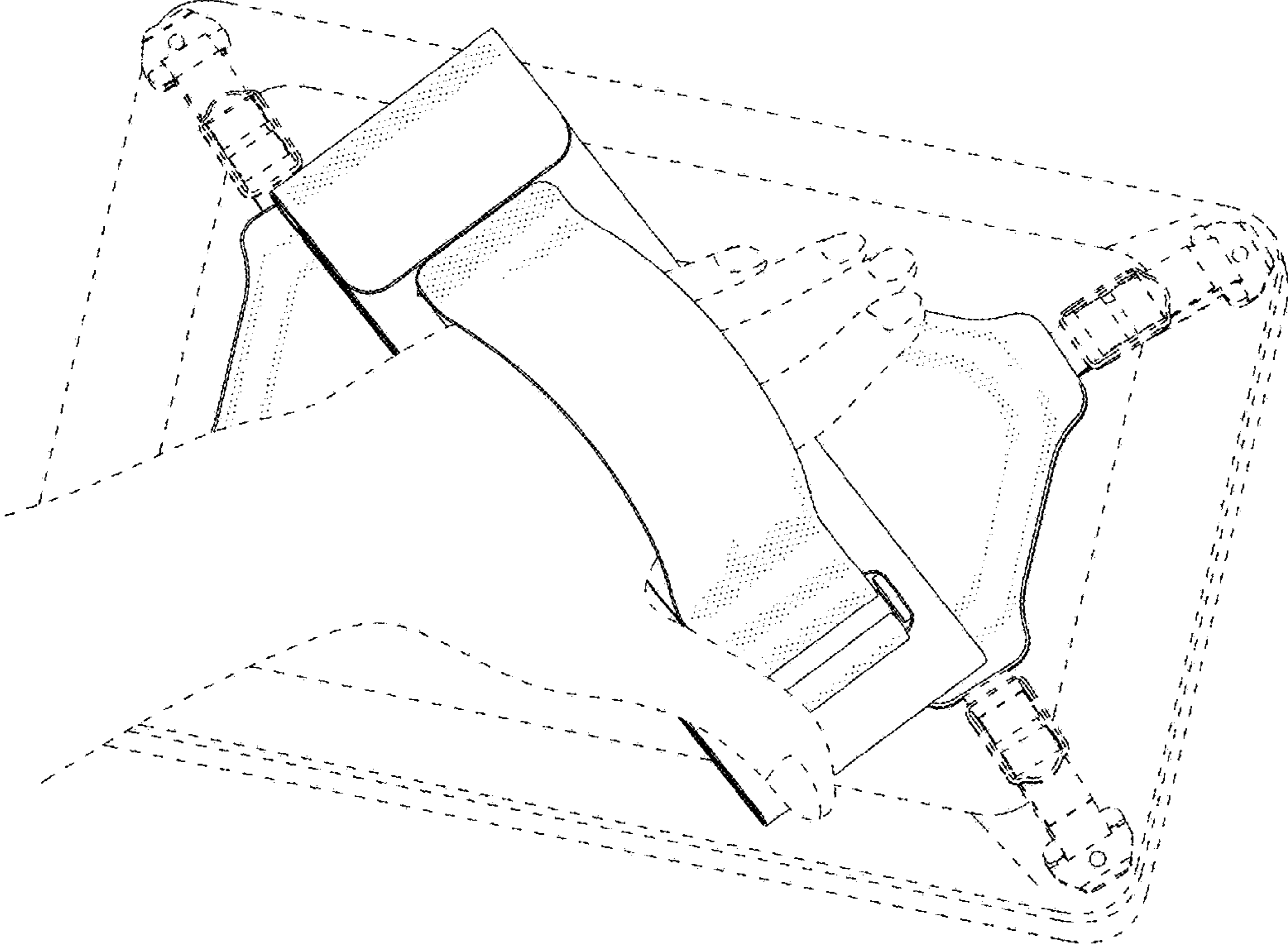


FIG.9

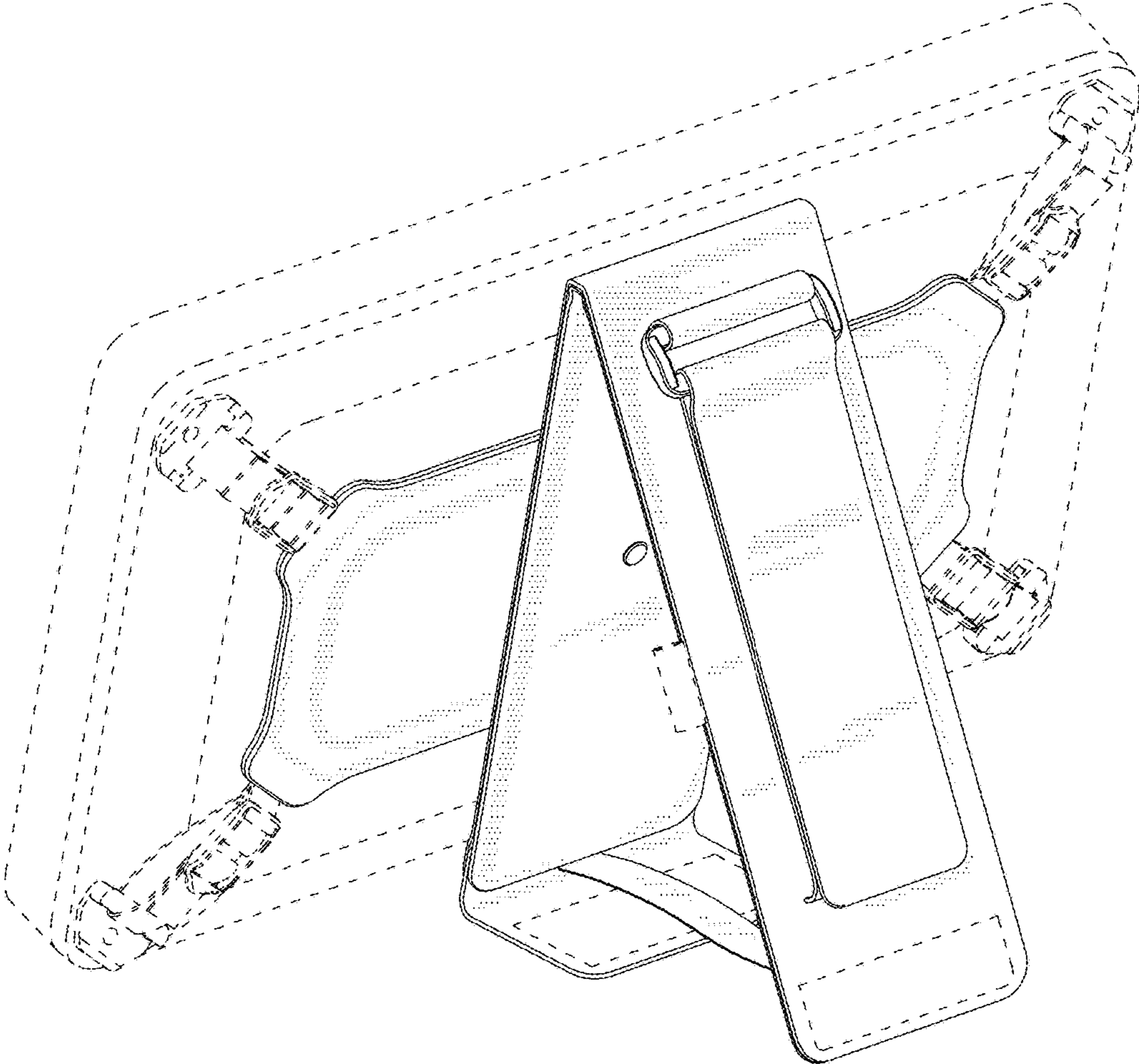


FIG.10