



US00D830366S

(12) **United States Design Patent**  
**Turksu et al.**

(10) **Patent No.:** **US D830,366 S**  
(45) **Date of Patent:** **\*\* Oct. 9, 2018**

- (54) **MULTIPOINT USB HUB FOR COMPUTER**
- (71) Applicant: **SARIANA, LLC**, San Diego, CA (US)
- (72) Inventors: **Alan Turksu**, San Diego, CA (US);  
**Mustafa Burak Guclu**, San Diego, CA (US)
- (73) Assignee: **SARIANA, LLC**, San Diego, CA (US)
- (\*\*) Term: **15 Years**
- (21) Appl. No.: **29/585,543**
- (22) Filed: **Nov. 25, 2016**
- (51) **LOC (11) Cl.** ..... **14-02**
- (52) **U.S. Cl.**  
USPC ..... **D14/433**
- (58) **Field of Classification Search**  
USPC ..... D14/432, 433, 358  
CPC ..... H01M 10/44  
See application file for complete search history.

- D692,024 S 10/2013 Seong et al.
- D693,768 S \* 11/2013 Alesi ..... D13/110
- D705,189 S \* 5/2014 Chovin ..... D14/159
- D711,884 S \* 8/2014 Turksu ..... D14/433
- D715,797 S 10/2014 Hiraga
- D720,691 S 1/2015 Lo et al.
- D728,467 S 5/2015 Hasbrook
- D733,043 S 6/2015 Hasbrook et al.
- D740,291 S \* 10/2015 Turksu ..... D14/433
- D750,083 S \* 2/2016 Chow ..... D14/434
- D751,527 S \* 3/2016 Hinokio ..... D14/204
- D767,486 S 9/2016 Yu
- D776,659 S \* 1/2017 Hou ..... D14/433
- D782,476 S 3/2017 Yamazaki
- D788,112 S 5/2017 Liao
- D793,397 S \* 8/2017 Eliyahu ..... D14/433
- D794,028 S \* 8/2017 Lin ..... D14/433
- D797,747 S \* 9/2017 Xu ..... D14/433
- D798,301 S 9/2017 Kujawski et al.
- D798,811 S 10/2017 Liao

(Continued)

*Primary Examiner* — Cynthia R Underwood  
(74) *Attorney, Agent, or Firm* — Wagenknecht IP Law Group PC

(57) **CLAIM**

What is claimed is an ornamental design for a multiport USB hub for a computer, as shown.

**DESCRIPTION**

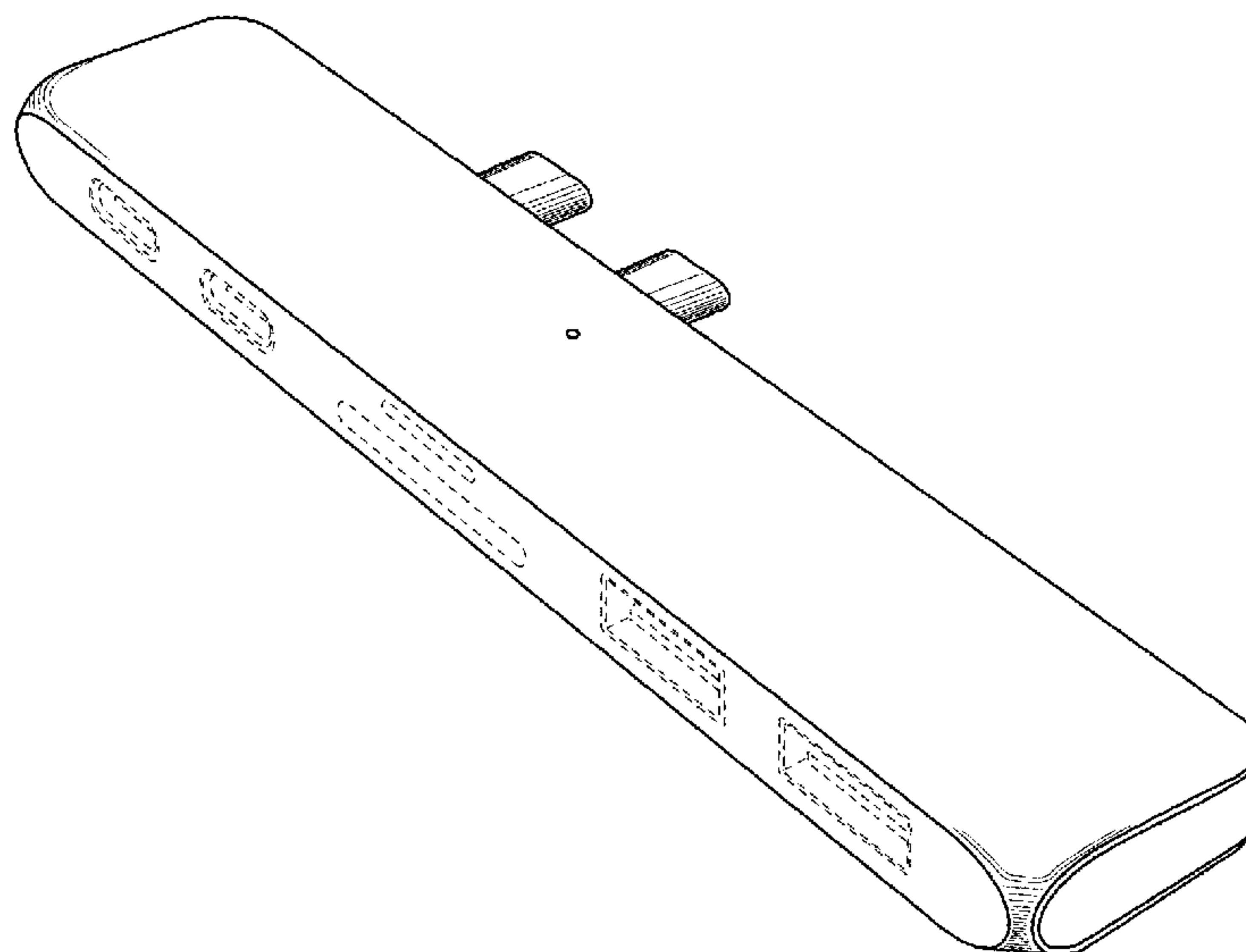
FIG. 1 is front elevational view of a multiport USB hub for a computer showing our new design; FIG. 2 is a rear elevational view thereof; FIG. 3 is a left side elevational view thereof; FIG. 4 is a right side elevational view thereof; FIG. 5 is a top plan view thereof; FIG. 6 is a bottom plan view thereof; and, FIG. 7 is a front, top, left perspective view thereof. The broken lines represent portions of the structure that forms no part of the claim.

**1 Claim, 7 Drawing Sheets**

(56) **References Cited**

U.S. PATENT DOCUMENTS

- D361,987 S 9/1995 Yamazaki
- D369,149 S 4/1996 Chang et al.
- D405,064 S 2/1999 Iino
- D413,574 S \* 9/1999 Goto ..... D13/146
- D430,882 S 9/2000 Tsai
- 6,321,340 B1 11/2001 Shin et al.
- D464,972 S 10/2002 Carrasco, Jr.
- D522,531 S 6/2006 Solomon et al.
- D560,165 S \* 1/2008 Matityahu ..... D13/133
- D591,270 S \* 4/2009 Jakobson ..... D14/217
- D635,978 S 4/2011 Chen
- D659,094 S 5/2012 Brand et al.
- D661,249 S 6/2012 Smith et al.
- D664,146 S \* 7/2012 Hoehn ..... D14/433
- 8,512,079 B2 8/2013 Vroom et al.
- D689,858 S 9/2013 Lo et al.



(56)

**References Cited**

U.S. PATENT DOCUMENTS

D800,730 S	10/2017	Liao	
D813,875 S	3/2018	Liao	
D815,639 S *	4/2018	Lau .....	D14/433
D820,264 S *	6/2018	Lai .....	D14/433

\* cited by examiner

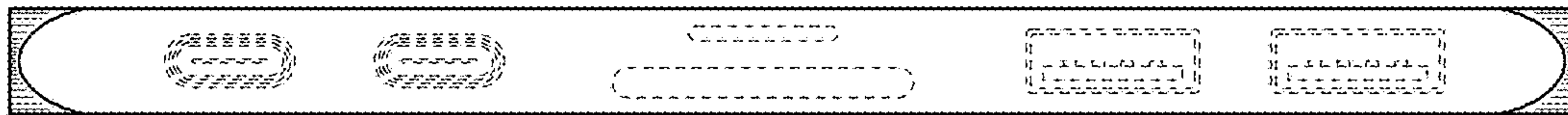


FIG. 1



FIG. 2



FIG. 3

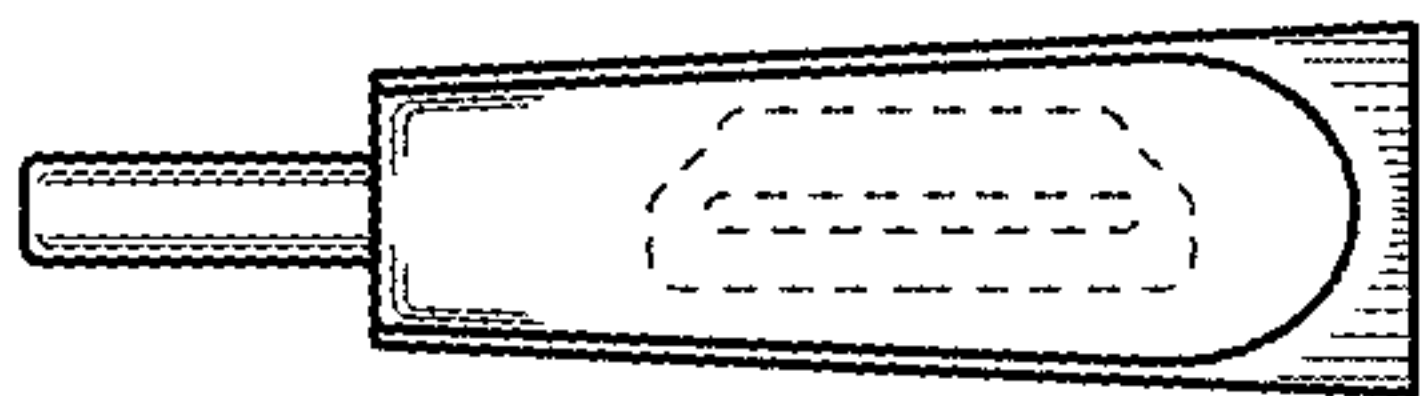


FIG. 4

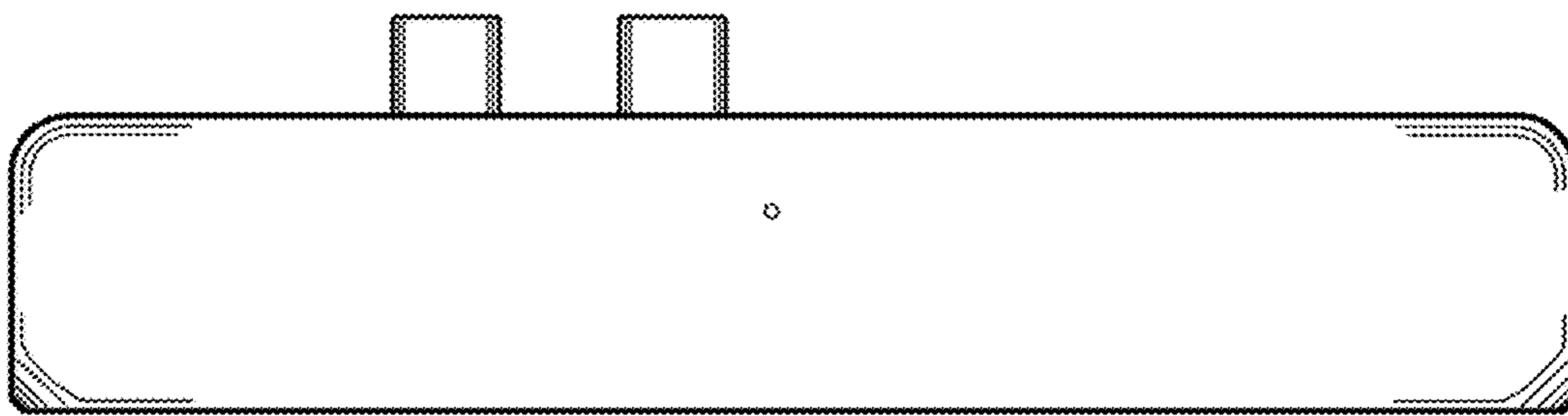


FIG. 5

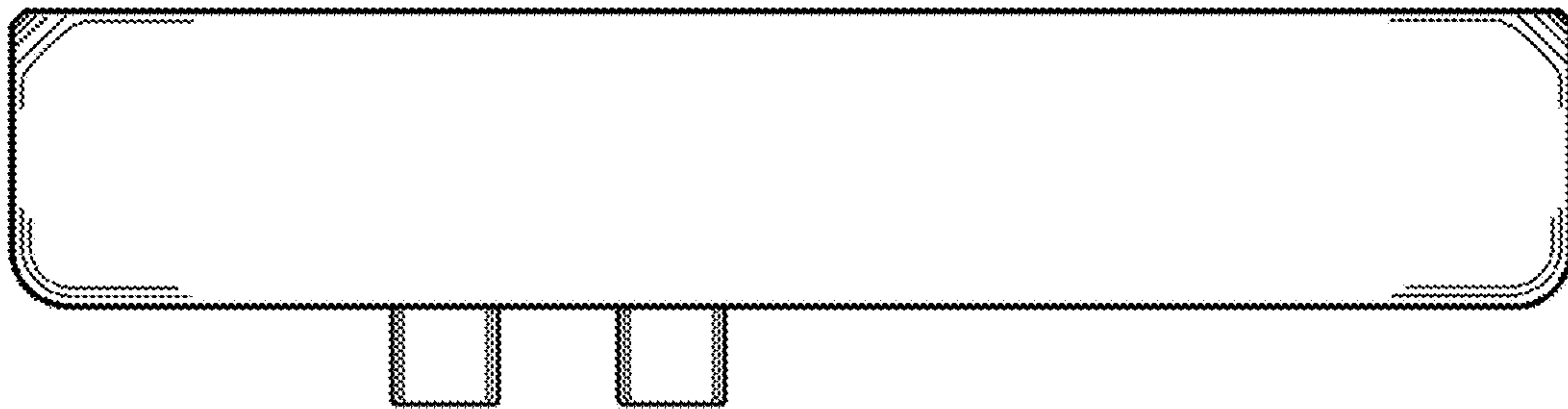


FIG. 6



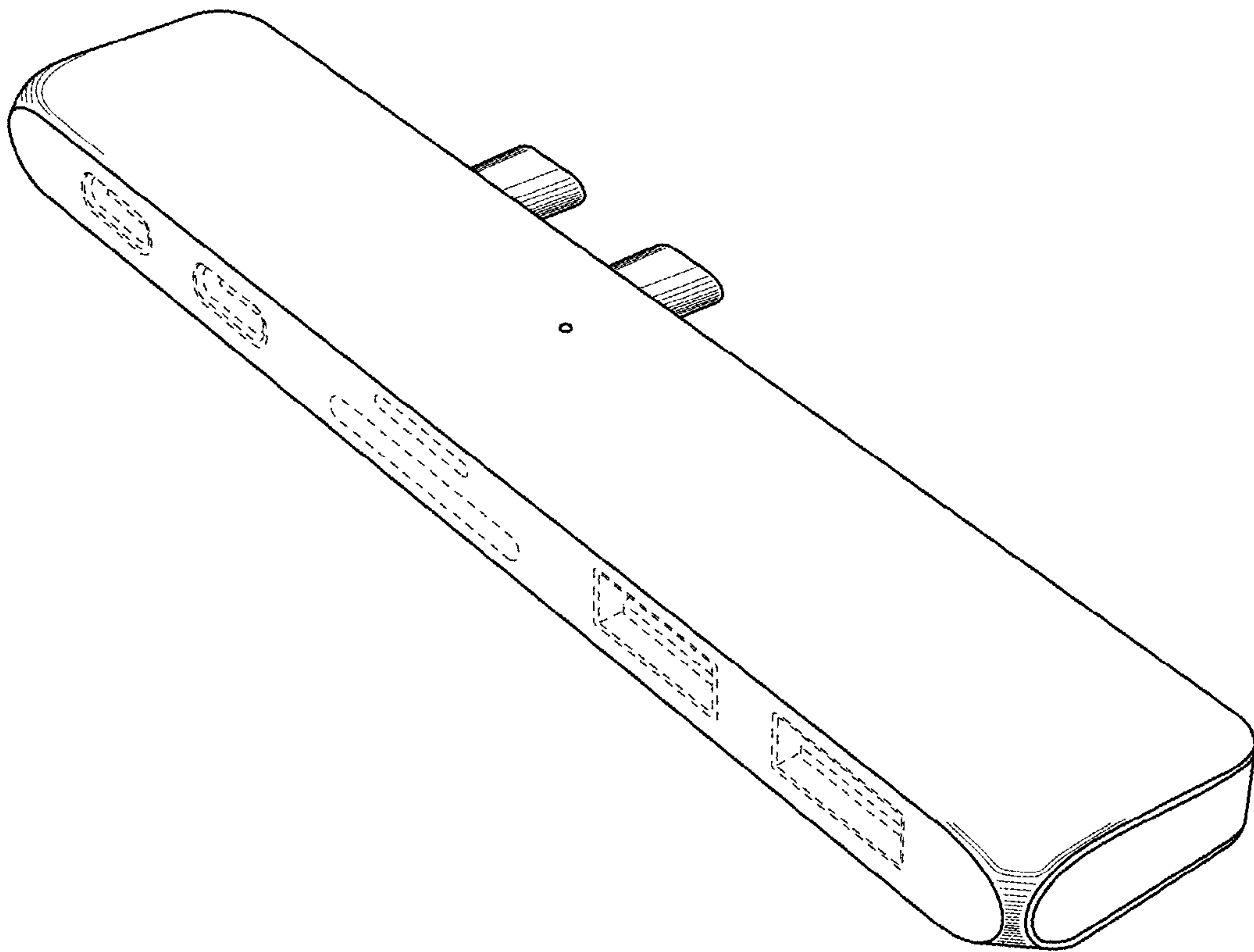


FIG. 7