



US00D830364S

(12) **United States Design Patent** (10) **Patent No.:** **US D830,364 S**
Jhun et al. (45) **Date of Patent:** **** Oct. 9, 2018**

(54) **CABLE MODULE FOR A TABLETOP MEDIA CENTER**

(71) Applicant: **Crestron Electronics, Inc.**, Rockleigh, NJ (US)

(72) Inventors: **Sae Jhun**, Bayside, NY (US); **Wendy Feldstein**, Old Tappan, NJ (US)

(73) Assignee: **Crestron Electronics, Inc.**, Rockleigh, NJ (US)

(**) Term: **15 Years**

(21) Appl. No.: **29/628,647**

(22) Filed: **Dec. 6, 2017**

(51) **LOC (11) Cl.** **14-02**

(52) **U.S. Cl.**

USPC **D14/432**

(58) **Field of Classification Search**

USPC D14/300–302, 308–313, 314, 348, D14/353–355, 432, 439–446, 240; 361/679.02, 679.31, 679.5, 690, 694, 361/679.23, 801, 802; 312/332.1, 334.1; D13/162; D10/50

CPC A45C 11/00; A45C 2011/003; B60R 11/0241; B60R 11/0252; F16M 13/00; F16M 11/00

See application file for complete search history.

(56) **References Cited**

U.S. PATENT DOCUMENTS

6,046,405	A	4/2000	Obermann et al.	
6,162,071	A	12/2000	Muller	
D460,736	S	7/2002	Pincek et al.	
D465,201	S	* 11/2002	Gershfeld	D13/139.4
D471,912	S	* 3/2003	Camarota	D14/432
D473,525	S	4/2003	Pincek et al.	
6,802,577	B2	10/2004	Gershfeld	
6,942,501	B2	9/2005	Kissinger et al.	
D512,964	S	12/2005	Kissinger et al.	
D513,493	S	* 1/2006	Feldstein	D13/139.4

(Continued)

OTHER PUBLICATIONS

AMX, HydraPort: Connecting the Perfect Meeting, Product Guide, Rev. V3 (Sep. 8, 2014), available at pdf.archiexpo.com/pdf/amx/hydraport/51274-177337.html.

(Continued)

Primary Examiner — Austin Murphy

(74) *Attorney, Agent, or Firm* — Crestron Electronics, Inc.

(57) **CLAIM**

The ornamental design for a cable module for a tabletop media center, as shown and described.

DESCRIPTION

FIG. 1 shows a front perspective view of a cable module for a tabletop media center.

FIG. 2 shows a top perspective view of a cable module for a tabletop media center.

FIG. 3 shows a top view of the cable module for a tabletop media center.

FIG. 4 shows a front view of the cable module for a tabletop media center.

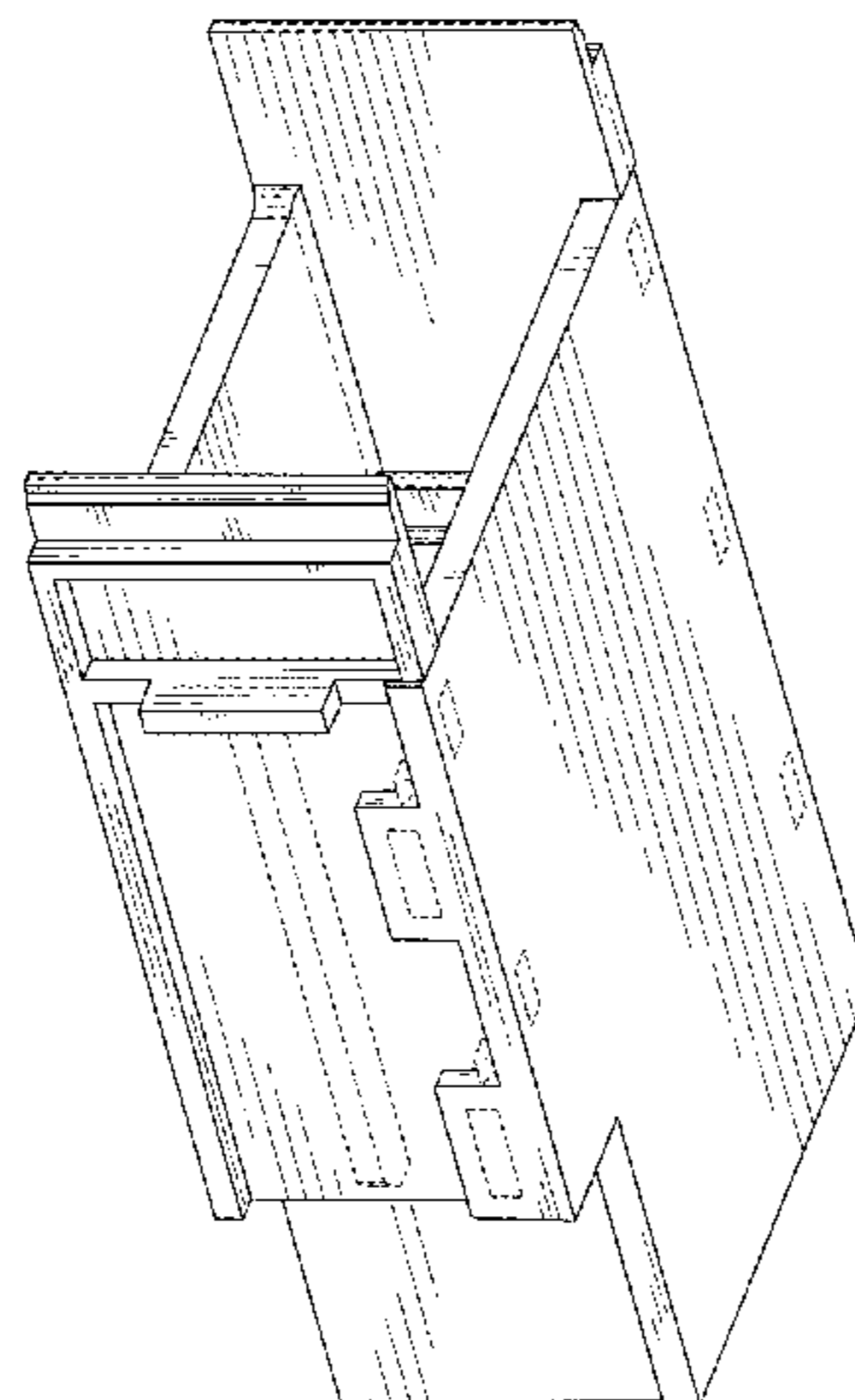
FIG. 5 shows a rear view of the cable module for a tabletop media center.

FIG. 6 shows a left side view of the cable module for a tabletop media center.

FIG. 7 shows a right side view of the cable module for a tabletop media center; and,

FIG. 8 shows a top perspective view of the cable module for a tabletop media center, wherein the tabletop media center shown in broken lines illustrates the environment in which the design is used and forms no part of the claimed design. The broken lines in the figures depict portions of the cable module for a tabletop media center that form no part of the claimed design.

1 Claim, 8 Drawing Sheets



(56)

References Cited

U.S. PATENT DOCUMENTS

D516,513 S 3/2006 Kissinger et al.
 D526,961 S * 8/2006 Kissinger D13/139.4
 D537,039 S 2/2007 Pincek
 D537,785 S * 3/2007 Pincek D13/139.4
 7,312,393 B2 * 12/2007 McCarthy A47B 21/06
 174/480
 D569,863 S 5/2008 Feldstein et al.
 7,414,193 B1 8/2008 Le
 D586,814 S * 2/2009 Kramer D14/432
 7,541,539 B2 6/2009 Le
 7,667,145 B2 2/2010 Dinh et al.
 D626,542 S 11/2010 Libman et al.
 D628,097 S 11/2010 Libman et al.
 D628,098 S 11/2010 Libman et al.
 D628,099 S 11/2010 Libman et al.
 D638,314 S 5/2011 Libman et al.
 D638,315 S 5/2011 Libman et al.
 D639,680 S 6/2011 Libman et al.
 D639,681 S 6/2011 Rodriguez et al.
 D640,577 S 6/2011 Libman et al.
 D640,939 S 7/2011 Libman et al.
 D640,940 S 7/2011 Libman et al.
 7,989,710 B2 8/2011 Hansen et al.
 D657,315 S 4/2012 Feldstein et al.
 D662,501 S * 6/2012 Lohman D14/432
 D662,937 S * 7/2012 Lohman D14/432
 D664,050 S 7/2012 Rodriguez et al.
 D678,786 S 3/2013 Rodriguez et al.
 D685,373 S * 7/2013 Santos D14/432
 D686,992 S * 7/2013 Eisen D13/133
 8,943,978 B2 2/2015 Soper et al.
 D734,729 S 7/2015 Chaloupecky et al.
 D742,882 S * 11/2015 Takano D14/432
 D742,883 S * 11/2015 Akana D14/432
 D744,487 S * 12/2015 Takano D14/432
 9,257,776 B2 2/2016 Kramer
 D754,665 S * 4/2016 Zhang D14/432
 9,309,087 B2 4/2016 Laube et al.
 9,425,563 B2 8/2016 Laube et al.
 9,553,413 B2 1/2017 Laube et al.
 D783,623 S * 4/2017 Crisp D14/432
 9,680,262 B2 6/2017 Laube et al.
 9,706,833 B2 7/2017 Newhouse et al.
 2003/0070592 A1 4/2003 Grasse et al.
 2009/0165679 A1 7/2009 Bakker et al.
 2014/0265753 A1 9/2014 Gershfeld et al.
 2014/0374531 A1 12/2014 Laube et al.
 2017/0093097 A1 3/2017 Laube et al.

OTHER PUBLICATIONS

Arthur Holm, Albiral Display Solutions SL, Catalog, EN2016-2017, available at www.arthurholm.com/wp-content/uploads/2017/03/AH_Catalogue_2017.pdf.

Bachmann Electrical Engineering Ltd., Facility Solutions, System solutions for Office, conference and meeting rooms, Jun. 2016, available at genproel-el.gr/data/documents/2017.pdf.
 Crestron, Crestron FlipTops, D4520-C_201410, 2014, available at www.crestron.com/downloads/pdf/product_brochures/crestron_fliptops_brochure.pdf.
 Extron, Cable Cubby 202, 2014, available at www.extron.com/download/files/brochure/CC_202_Printable_A4.pdf.
 Extron, Cable Cubby 500, 2014, available at www.extron.com/download/files/brochure/CC_500_Printable_A4.pdf.
 Extron, Cable Cubby 700, 2014, available at www.extron.com/download/files/brochure/CC_700_Printable_A4.pdf.
 Extron, Cable Cubby 1200, 2014, available at www.extron.com/download/files/brochure/CC_1200_Printable_letter_size.pdf.
 Extron, Cable Cubby 1400, 2014, available at www.extron.com/download/files/brochure/CC_1400_Printable_letter_size.pdf.
 Extron, Cable Cubby Series 2, Mar. 2016, 68-2604-01, REV. C, available at www.extron.com/download/files/brochure/cable_cubby_series_2_verA4.pdf.
 Extron Catalog, AAP—Architectural Adapter Plates, 2012 Product Catalog, available at www.extron.com/download/files/general/aaps_12cat_en.pdf.
 FSR Inc., T6 FLEX, LIT1434A, 2015, available at fsrinc.com/documents/spec-sheet/9187-lit1434c-t6-flex-spec-sheet-pdf/file.
 FSR Inc., Table Boxes, LIT1187H, 2014, available at www.novotech.com.mx/wp-content/uploads/2016/03/1187H-Table-Box-Brochure.pdf.
 Herman Miller, Inc., Logic Power Access Solutions, 2015, available at www.hermanmiller.com/content/dam/hermanmiller/documents/product_literature/product_sheets/Logic_Power_Access_Solutions_product_sheet.pdf.
 Extron Electronics, “Hideaway” Family Brochure, 2002.
 Extron Electronics, Extron® Hideaway Series Brochure, 2002.
 Kramer Electronics Ltd., K-Able/XL Box Cable Retractor, User Manual, P/N: 2900-300441 Rev 3, 2015, available at k.kramerav.com/downloads/manuals/k-able_xl_box.pdf.
 Kindermann, MultiMedia connection systems, 2014, available at www.kindermann.de/fileadmin/medien/printmedien/MultiMedia_connection_systems/GB/MultiMedia_connection_systems_GB.pdf.
 Legrand, Wiremold® AVIP Series Device Plates, ED1670R3—Updated Jan. 2015, available at www.legrand.us/wiremold.aspx.
 Legrand, Wiremold®, DEQUORUM™ Flip-Up Table Boxes, ED1755 0715, 2015, available at www.middleatlantic.com.
 Legrand, Wiremold® Table Boxes, Table Boxes bring technology to the point-of-use, ED1706R5—Updated Mar. 2016, available at www.legrand.us/wiremold.aspx.
 Legrand, wiremold®, InteGreat™ A/V Table Box, ED1699R1 0913, 2013, available at www.legrand.us/wiremold.aspx.
 Legrand, wiremold®, Meeting Room Solutions, ED1710, 2013, available at www.legrand.us/wiremold.aspx.
 Legrand, wiremold® Table Boxes, ED1652R3—Updated Apr. 2016, available at www.legrand.us/wiremold.aspx.
 Soltec, LCD-TFT Solutions, 2015, available at dvs.rs/wp-content/uploads/2017/07/ENGLISH-SOLTEC-CATALOGUE.pdf.

* cited by examiner

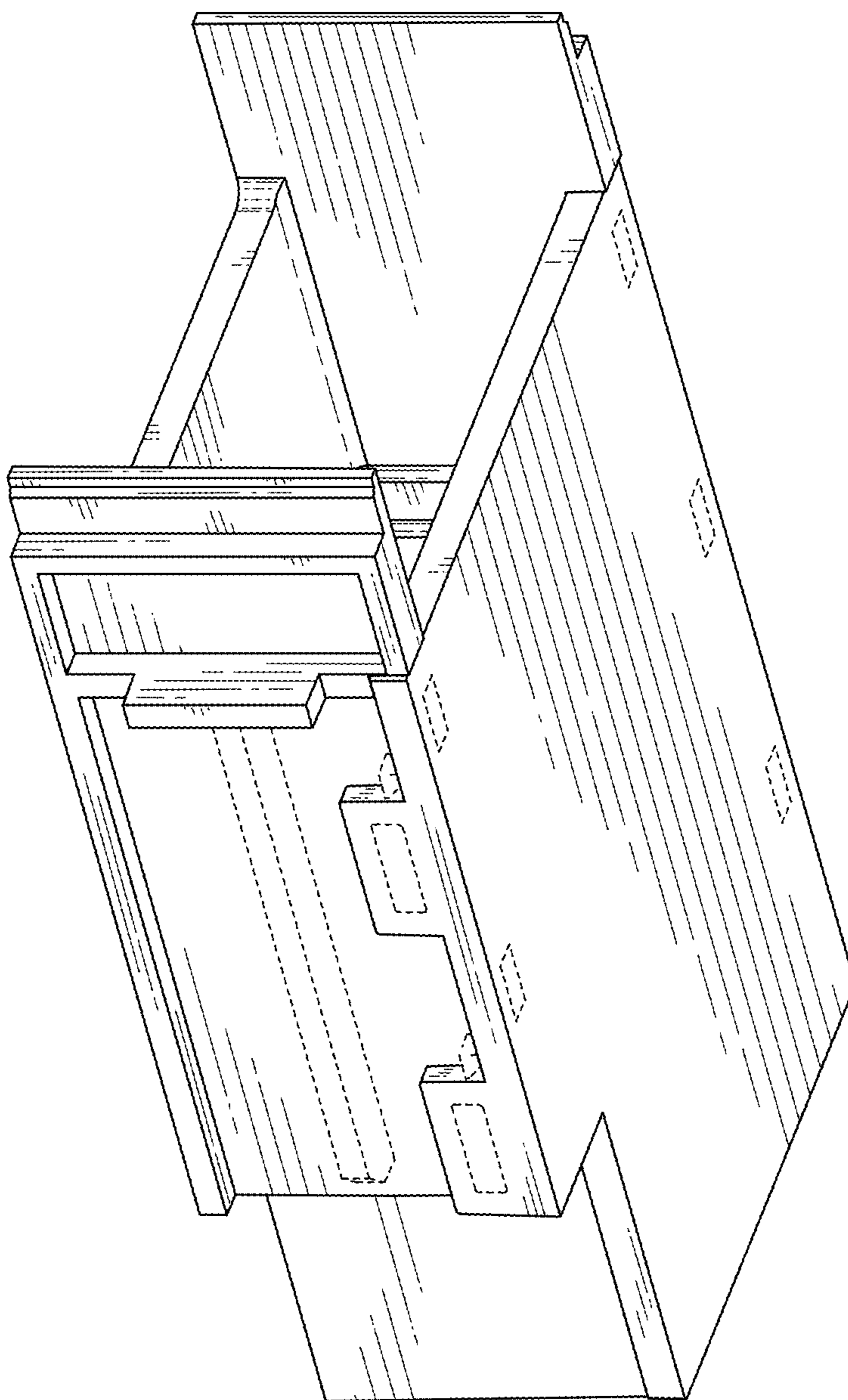


FIG. 1

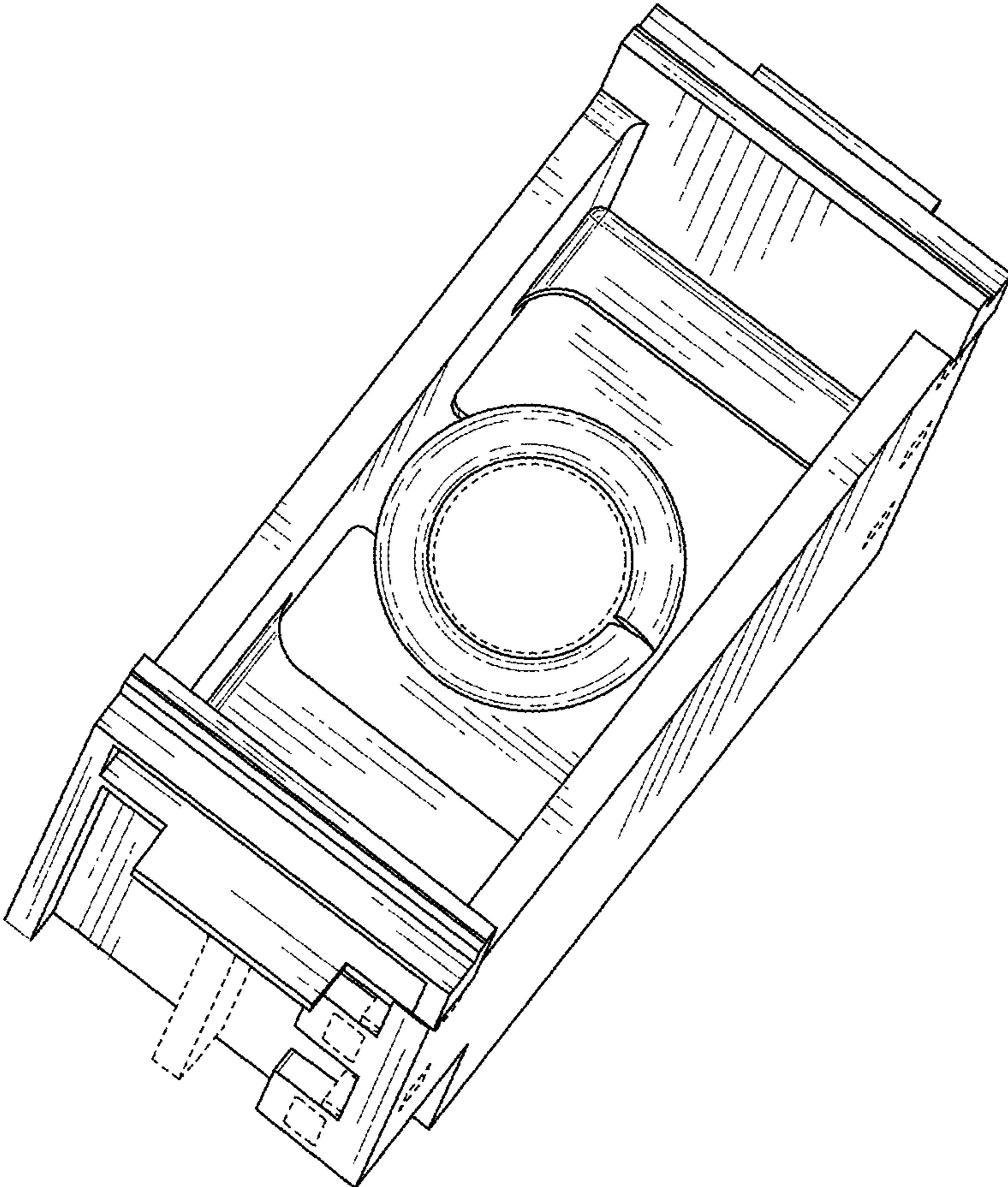


FIG. 2

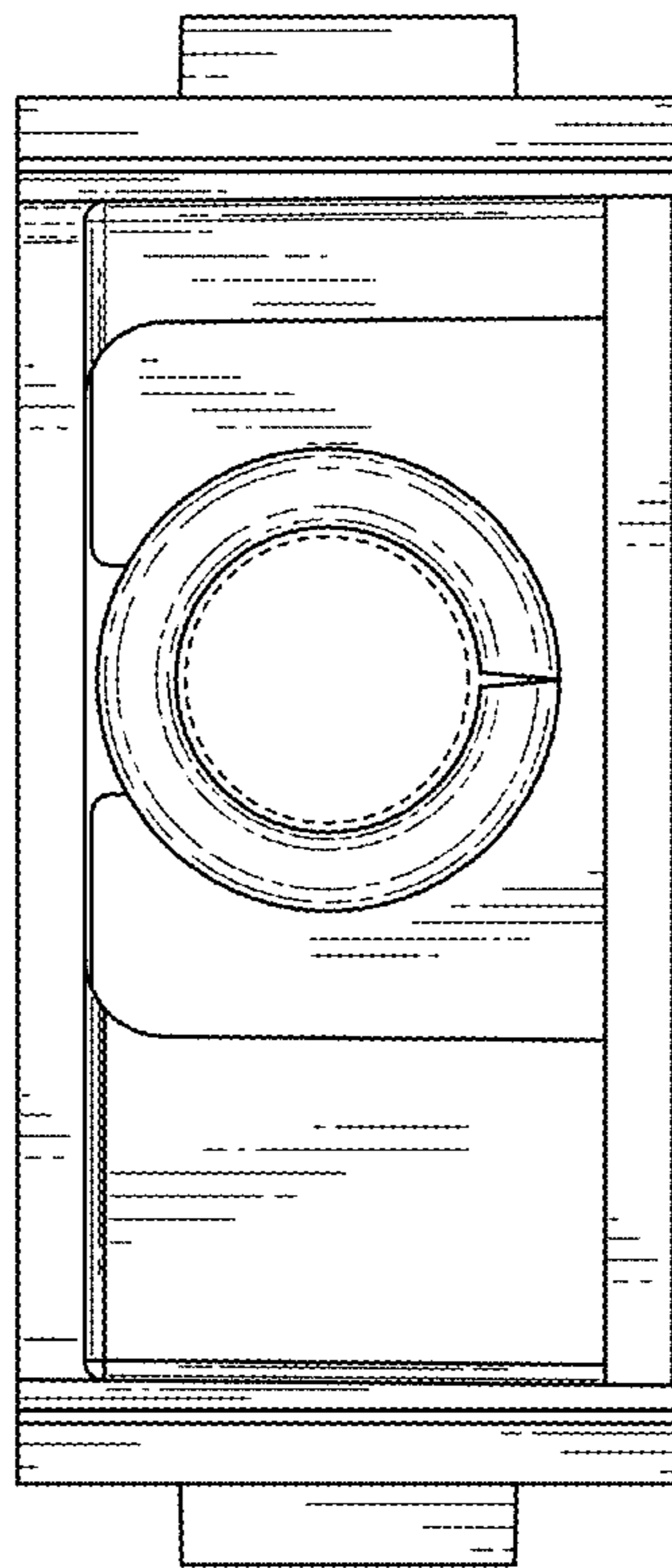


FIG. 3

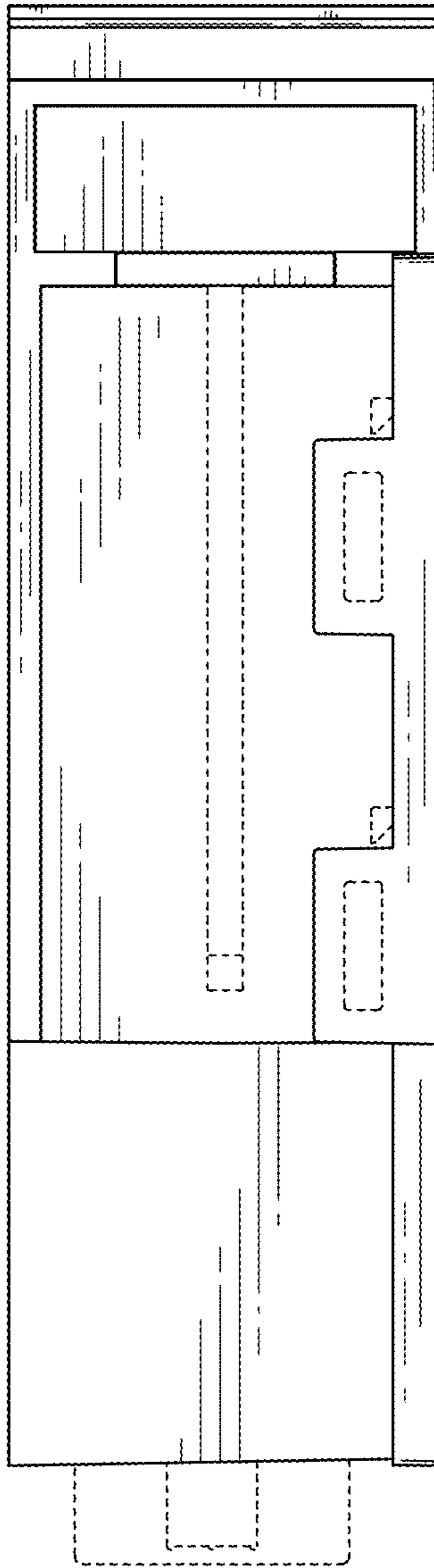


FIG. 4

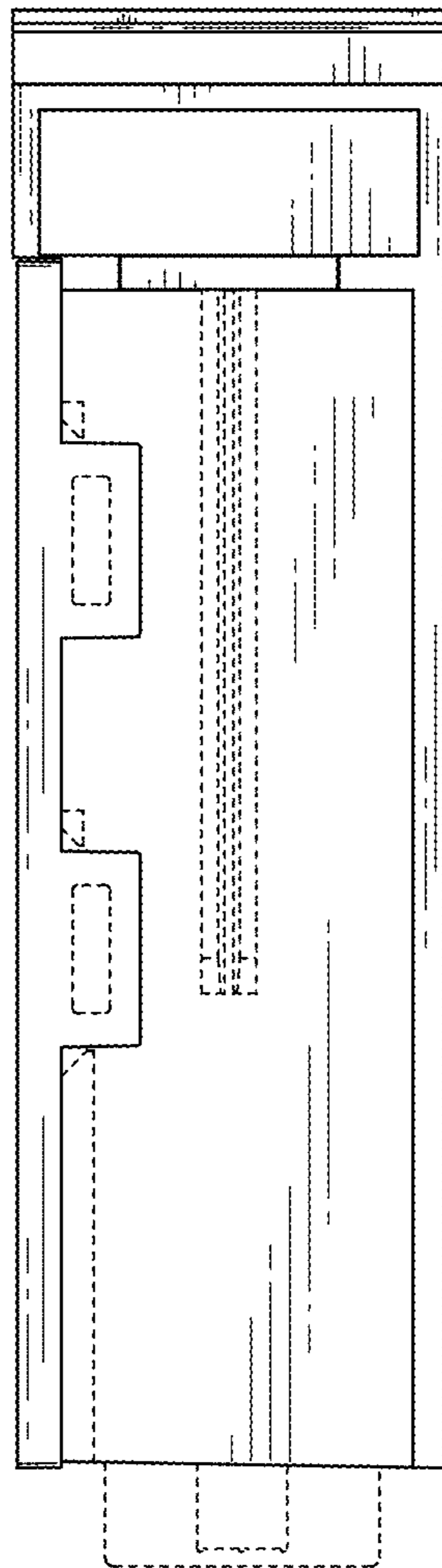


FIG. 5

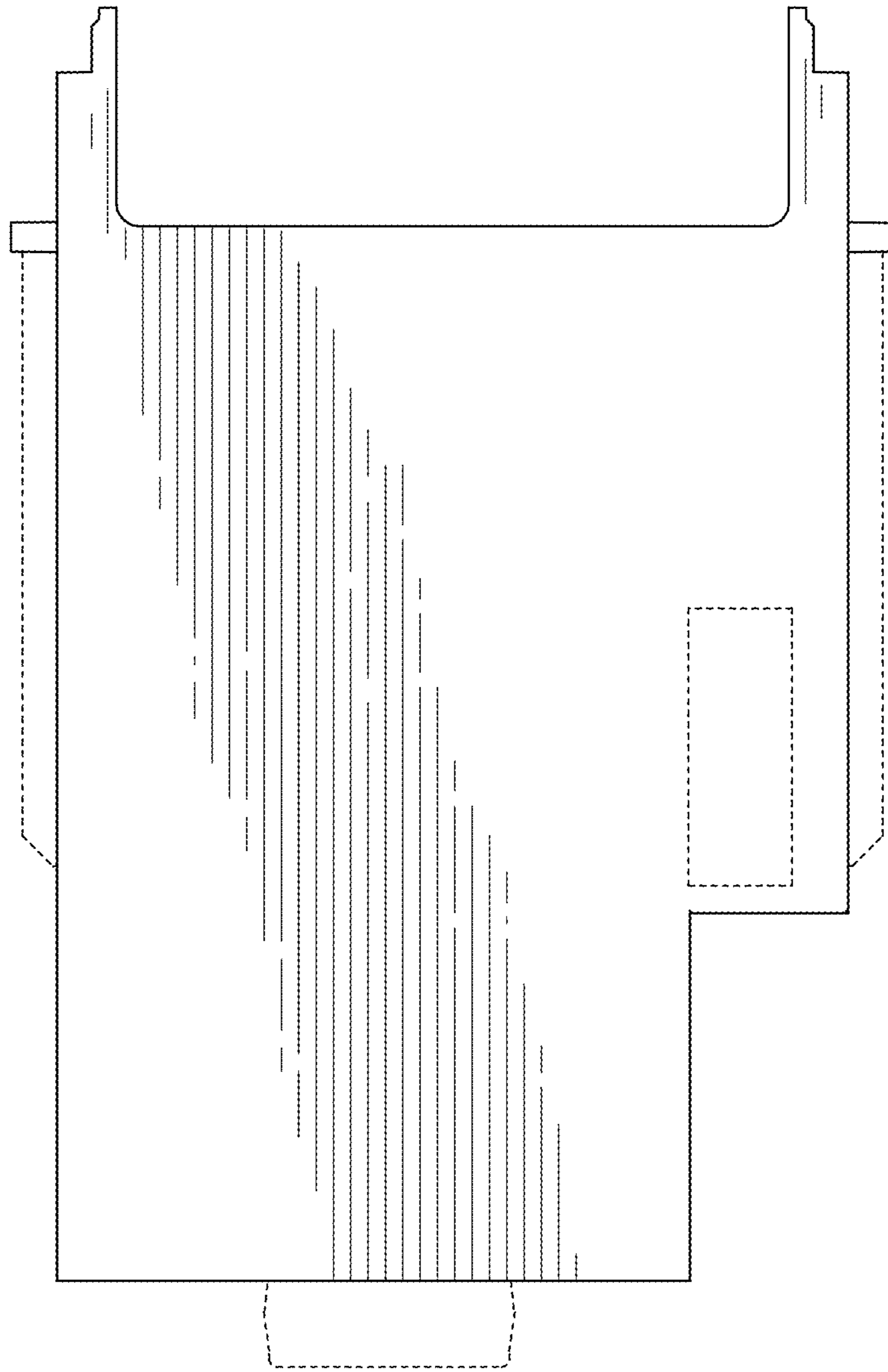


FIG. 6

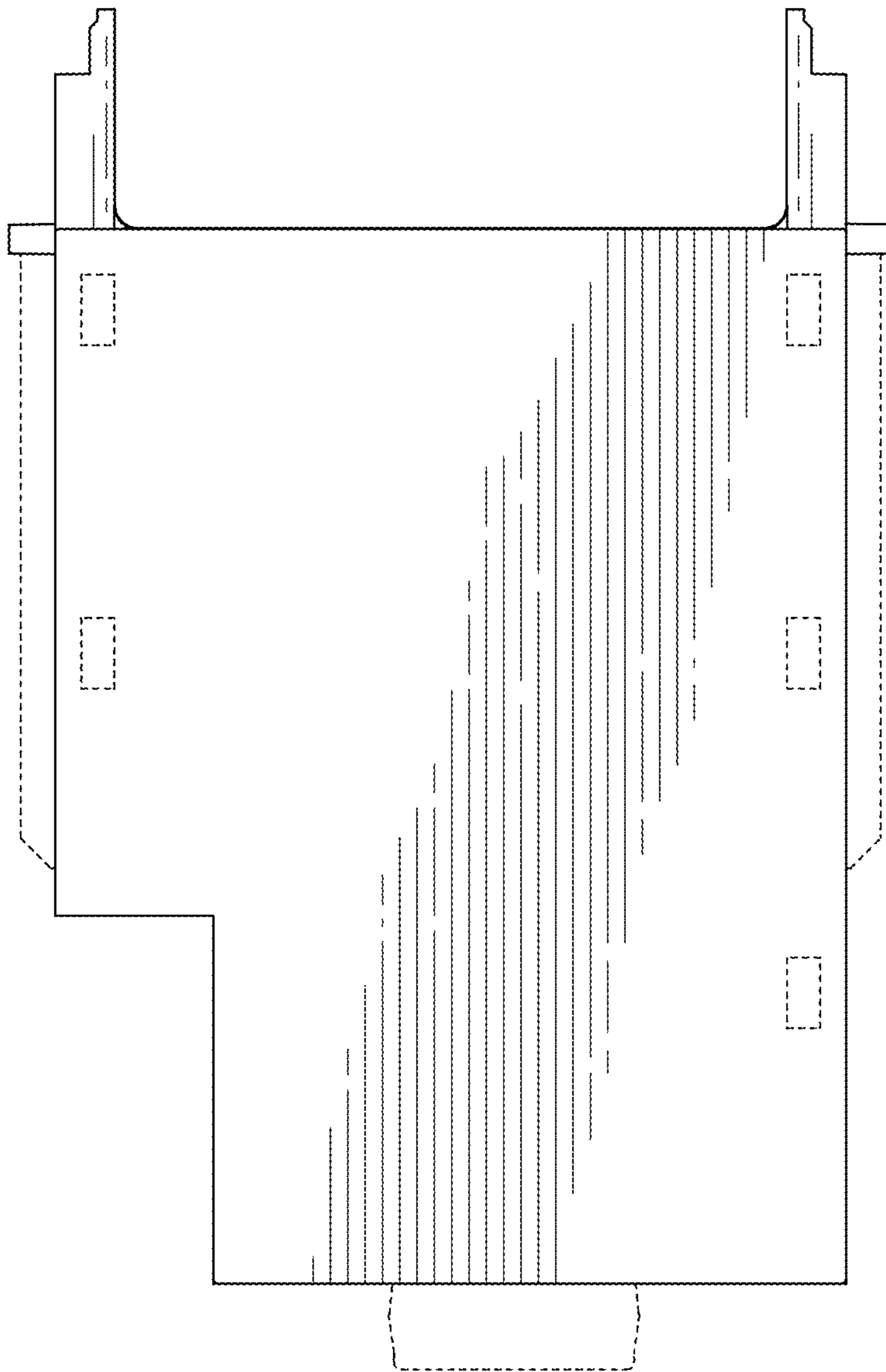


FIG. 7

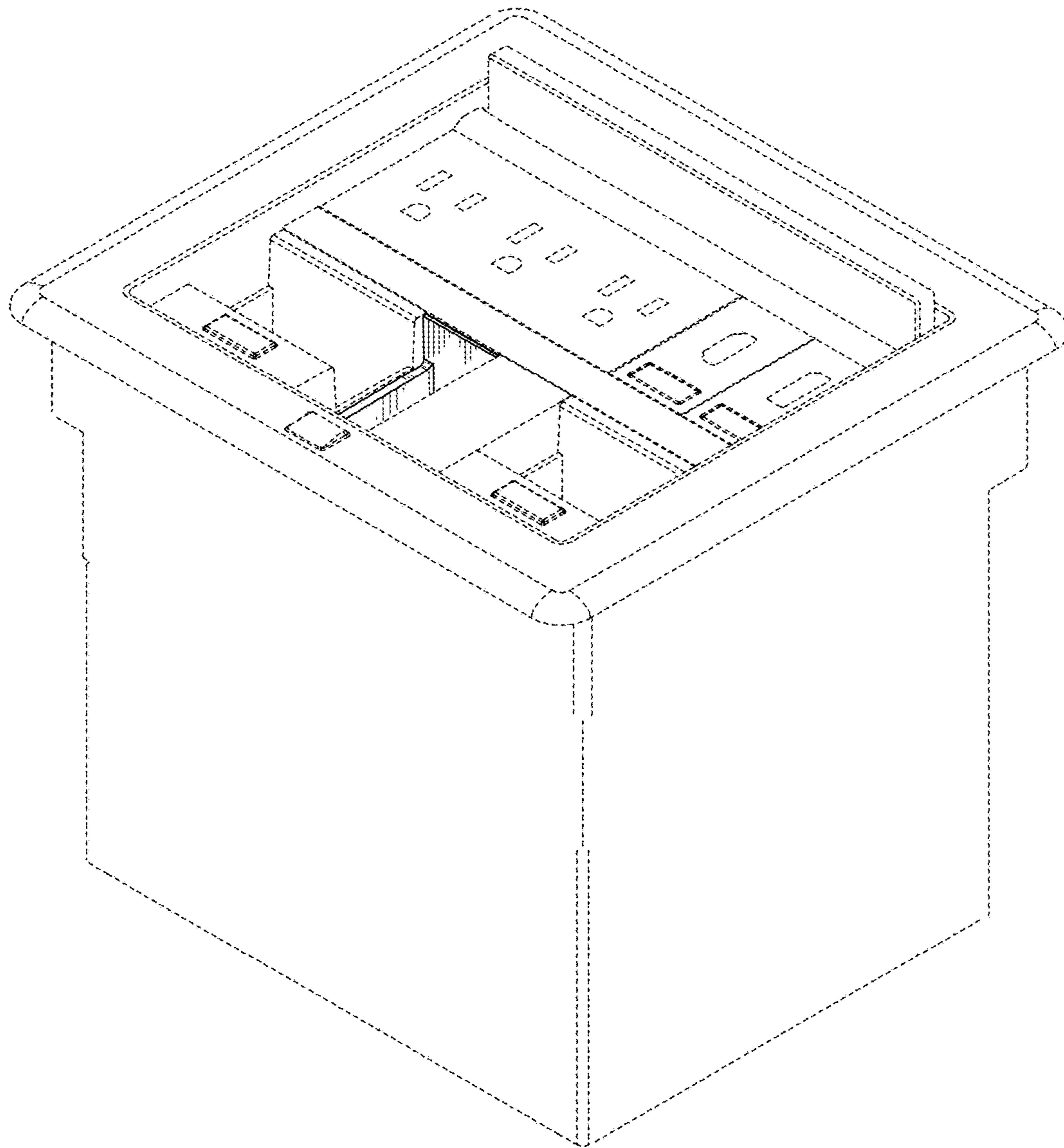


FIG. 8

UNITED STATES PATENT AND TRADEMARK OFFICE
CERTIFICATE OF CORRECTION

PATENT NO. : D830,364 S
APPLICATION NO. : 29/628647
DATED : October 9, 2018
INVENTOR(S) : Jhun et al.

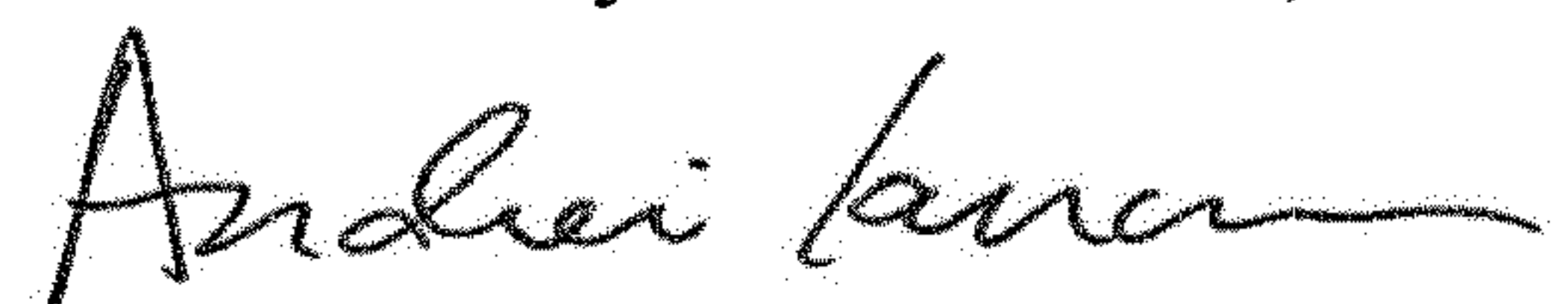
Page 1 of 1

It is certified that error appears in the above-identified patent and that said Letters Patent is hereby corrected as shown below:

On the Title Page

Item (72), add -- Edward Joy, Carmel, NY (US); --

Signed and Sealed this
Eleventh Day of December, 2018



Andrei Iancu
Director of the United States Patent and Trademark Office