



US00D830363S

(12) **United States Design Patent** (10) **Patent No.:** **US D830,363 S**
Helms et al. (45) **Date of Patent:** **** Oct. 9, 2018**

- (54) **ELECTRONIC DEVICE**
- (71) Applicant: **Radius Networks Inc.**, Washington, DC (US)
- (72) Inventors: **David Helms**, Arlington, VA (US);
Marc Wallace, Arlington, VA (US);
Scott Yoder, Washington, DC (US);
Francis Nguyen, Chicago, IL (US)
- (73) Assignee: **RADIUS NETWORKS, INC.**, Washington, DC (US)
- (**) Term: **15 Years**
- (21) Appl. No.: **29/581,008**
- (22) Filed: **Oct. 14, 2016**
- (51) **LOC (11) Cl.** **14-02**
- (52) **U.S. Cl.**
USPC **D14/432**
- (58) **Field of Classification Search**
USPC **D14/432, 300**
See application file for complete search history.

- D788,781 S * 6/2017 Chen D14/447
- D789,990 S * 6/2017 Bird D14/203.3
- D789,991 S * 6/2017 Bird D14/203.3
- D816,027 S * 4/2018 Chen D13/108
- D816,656 S * 5/2018 Kim D14/253
- D816,657 S * 5/2018 Kim D14/253
- D821,397 S * 6/2018 Crnkovich D14/385

OTHER PUBLICATIONS

Response to Office Action dated Nov. 2, 2017 in Canadian Patent Application No. 173903, 2 pages.

* cited by examiner

Primary Examiner — Cynthia R Underwood
(74) *Attorney, Agent, or Firm* — Vierra Magen Marcus LLP

(57) **CLAIM**

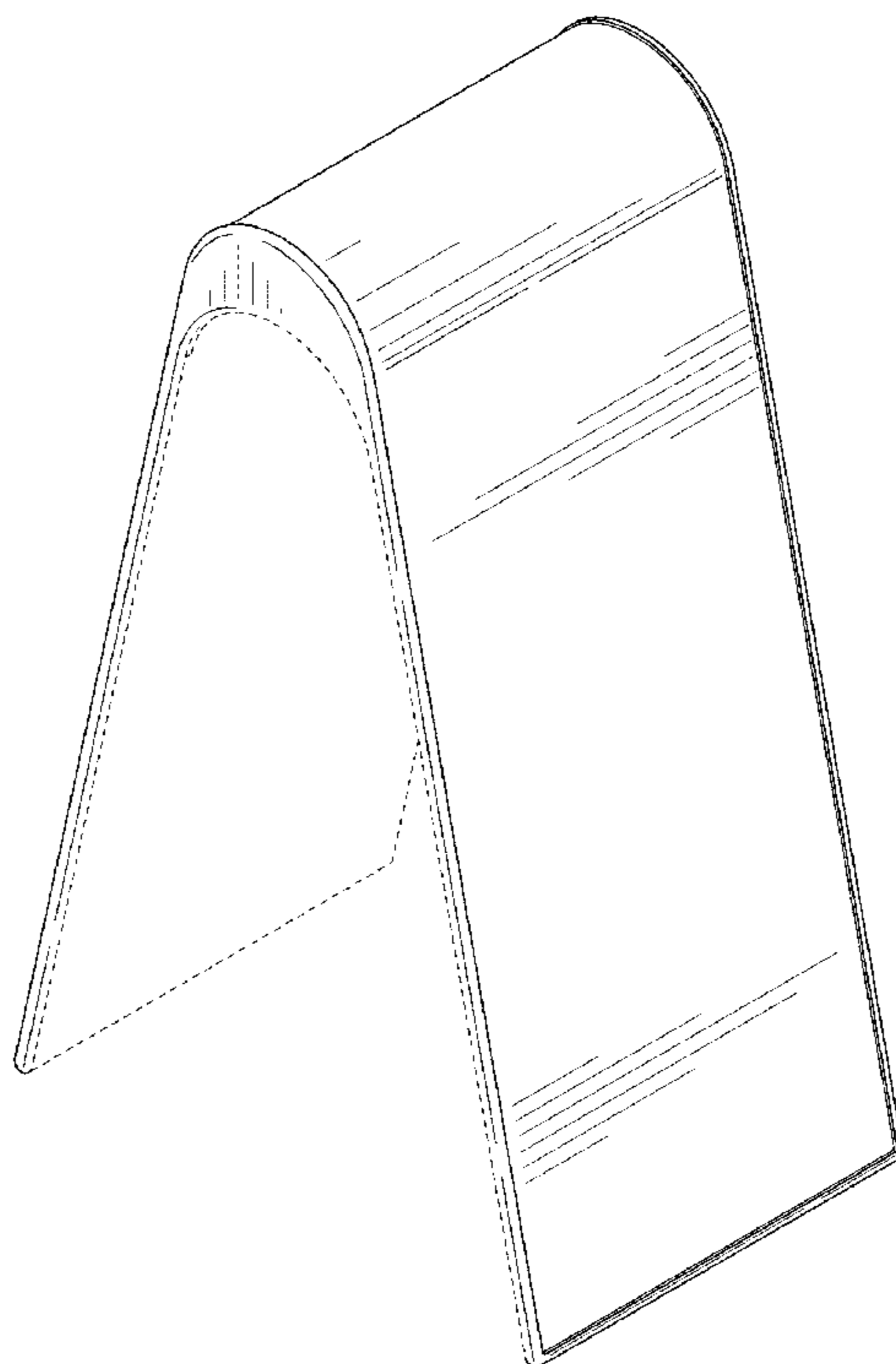
We claim an ornamental design for an electronic device, substantially as shown and described.

DESCRIPTION

FIG. 1 is a front perspective view for the device.
FIG. 2 is a right perspective side view for the device.
FIG. 3 is a left perspective side view for the device.
FIG. 4 is a right view for the device.
FIG. 5 is a left view for the device.
FIG. 6 is a bottom view for the device; and,
FIG. 7 is a top view for the device.
The broken lines represent the bounds of the claim and form no part of the claim.
The article is not limited to the scale shown herein. As indicated in the tile, the article of manufacture to which the ornamental design has been applied is an electronic device.

1 Claim, 4 Drawing Sheets

- (56) **References Cited**
U.S. PATENT DOCUMENTS
- D559,850 S * 1/2008 Lye D14/447
- D573,150 S * 7/2008 Sween D14/447
- D640,708 S * 6/2011 Lee D14/447
- D645,865 S * 9/2011 Diehl D14/299
- D722,063 S * 2/2015 Zwerner D14/447
- D742,382 S * 11/2015 Shao D14/432
- D786,883 S * 5/2017 Chen D14/447



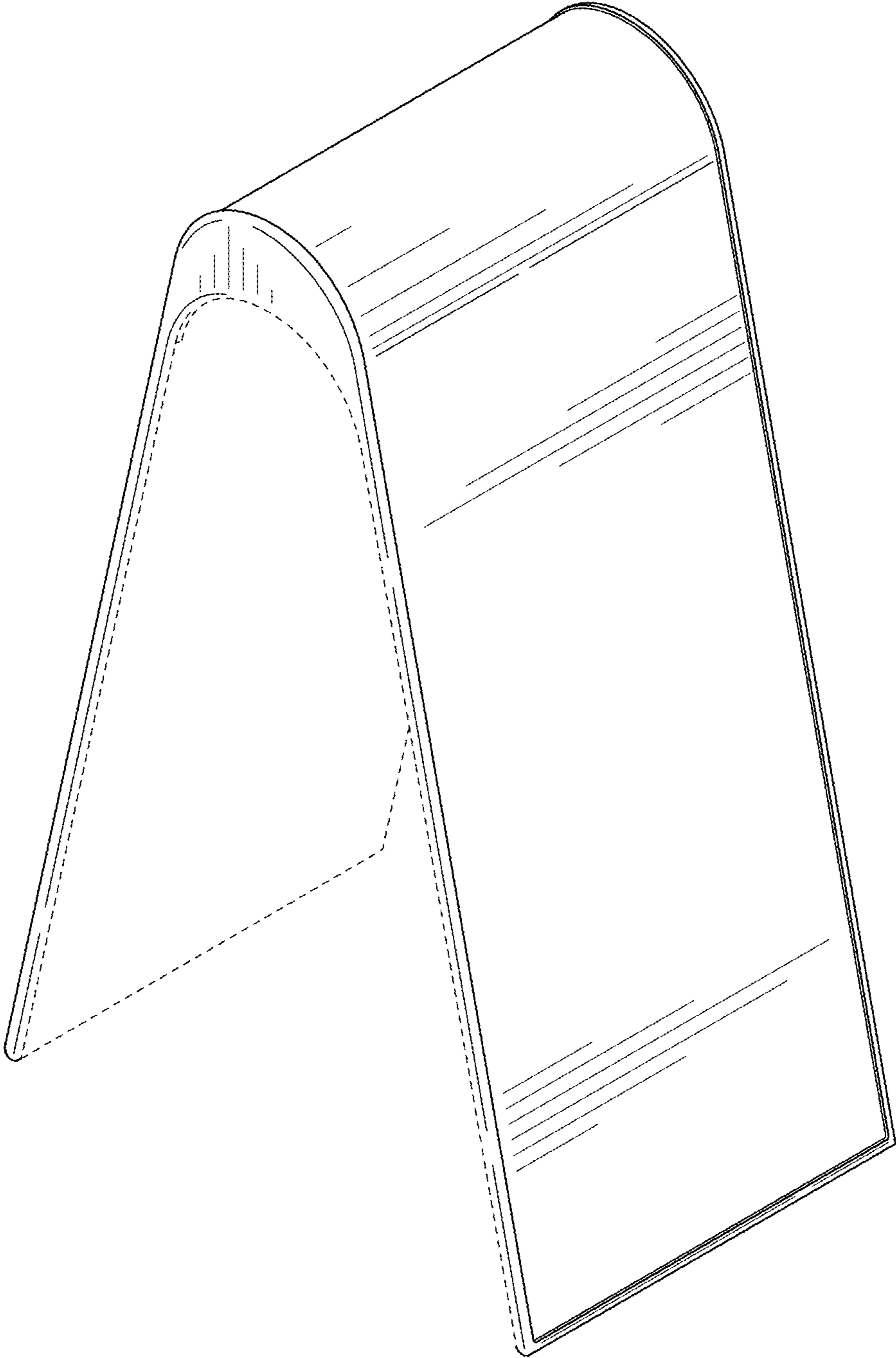


FIG. 1



FIG. 2

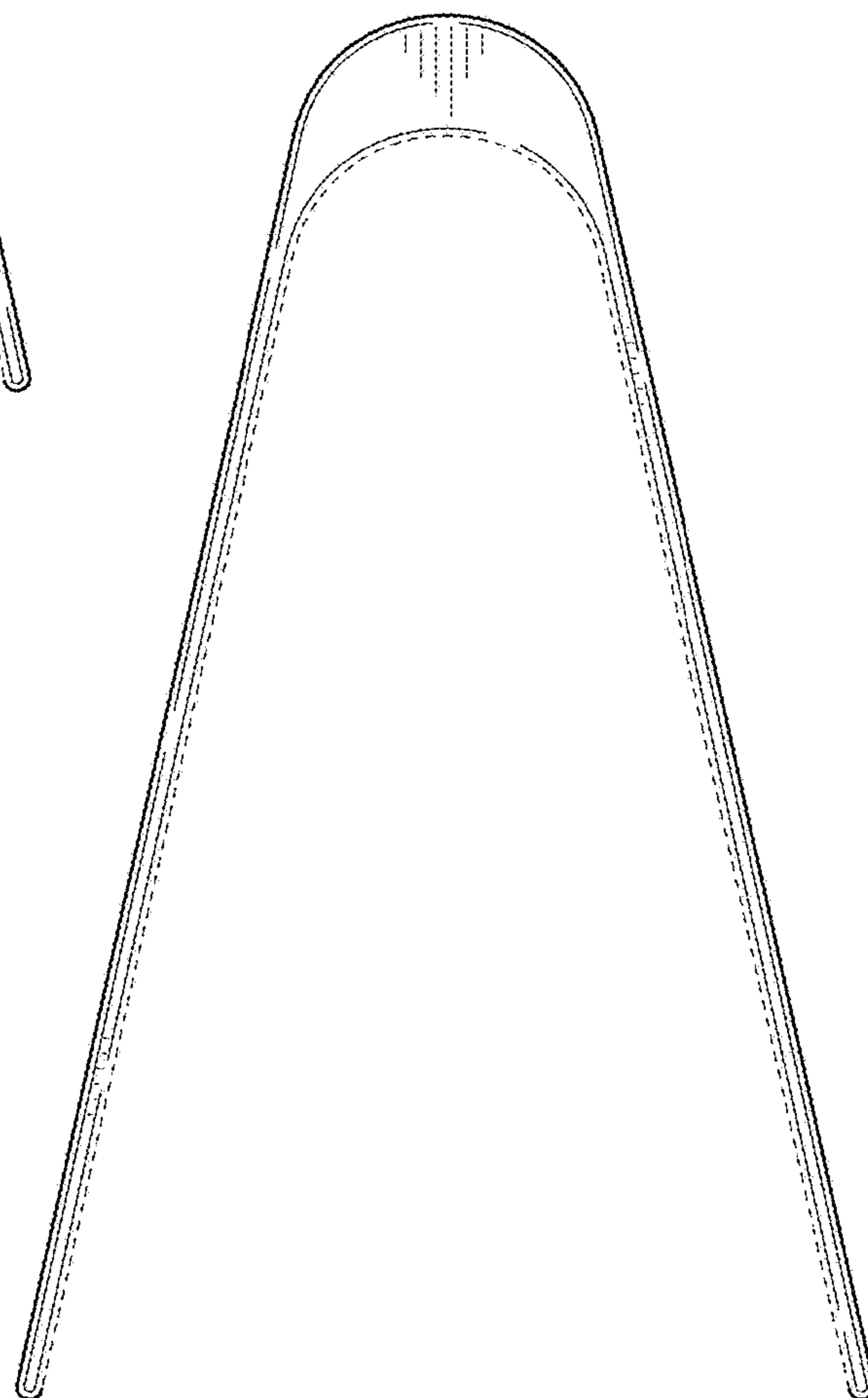


FIG. 3

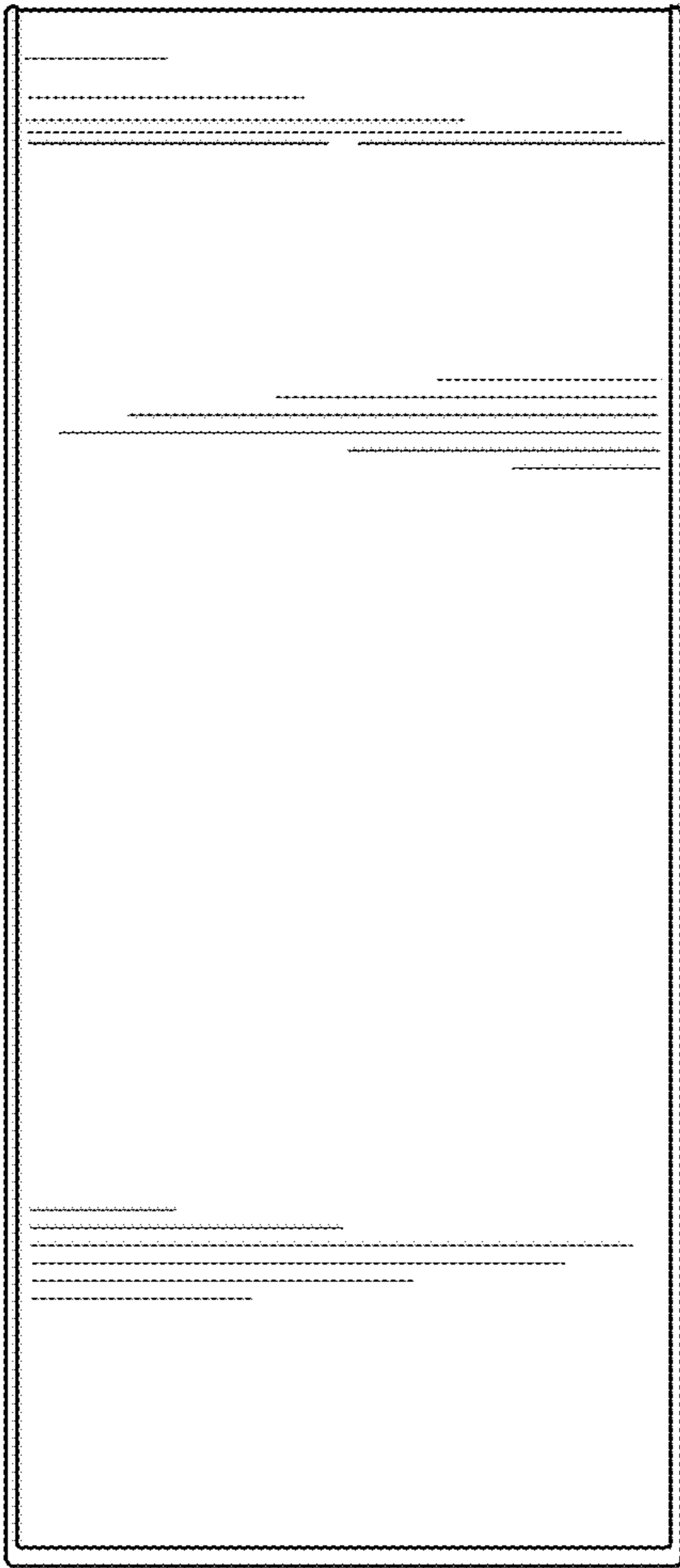


FIG. 4

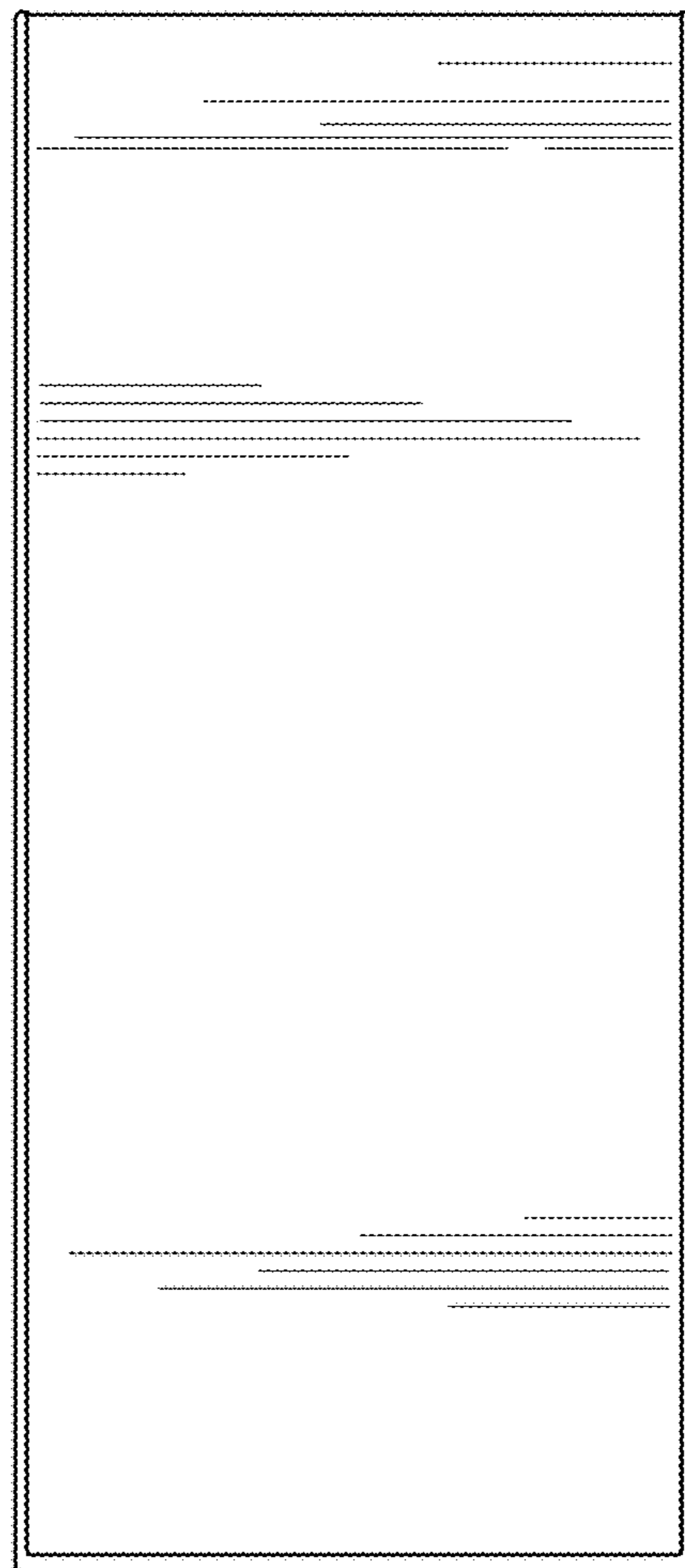


FIG. 5

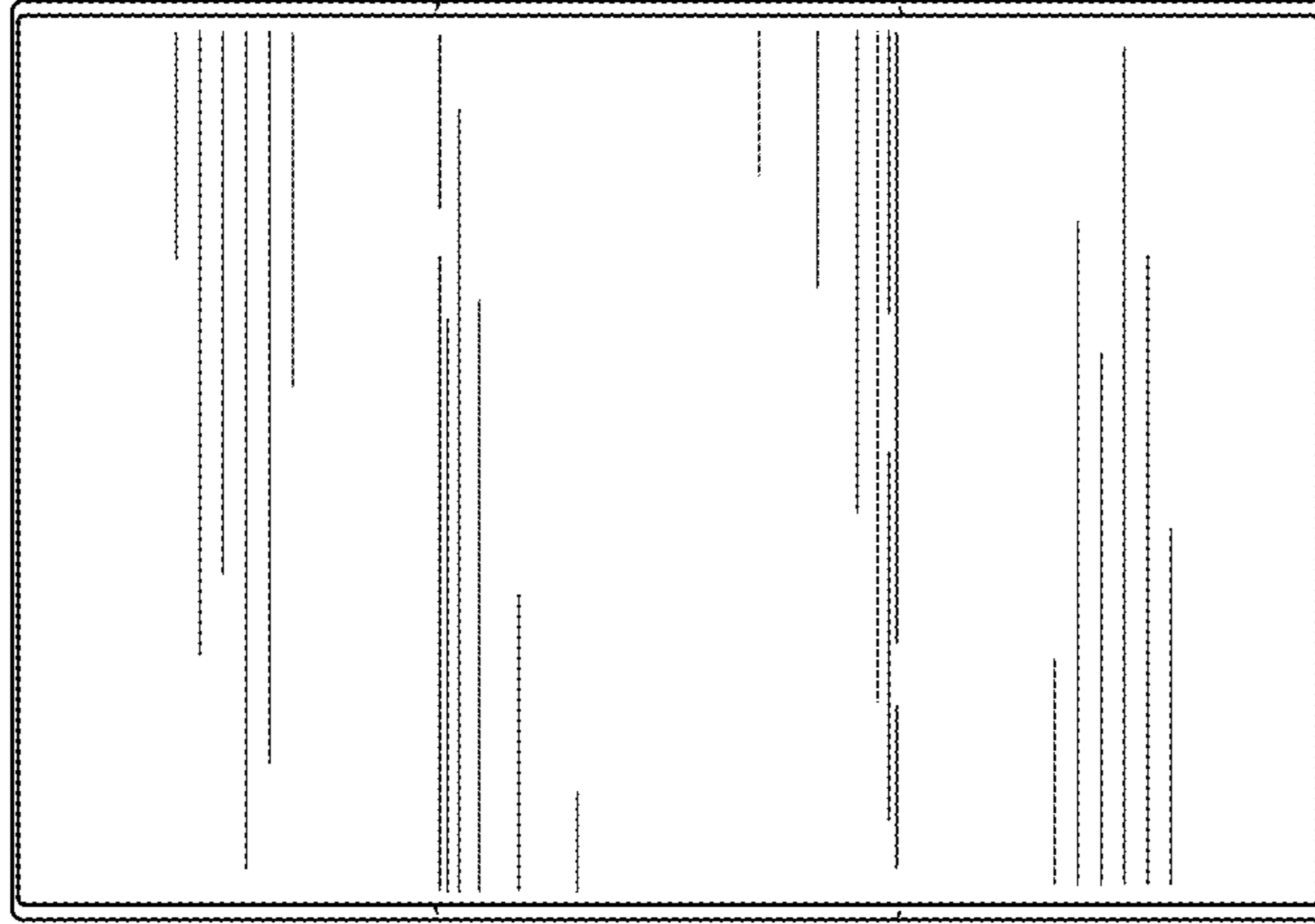


FIG. 6

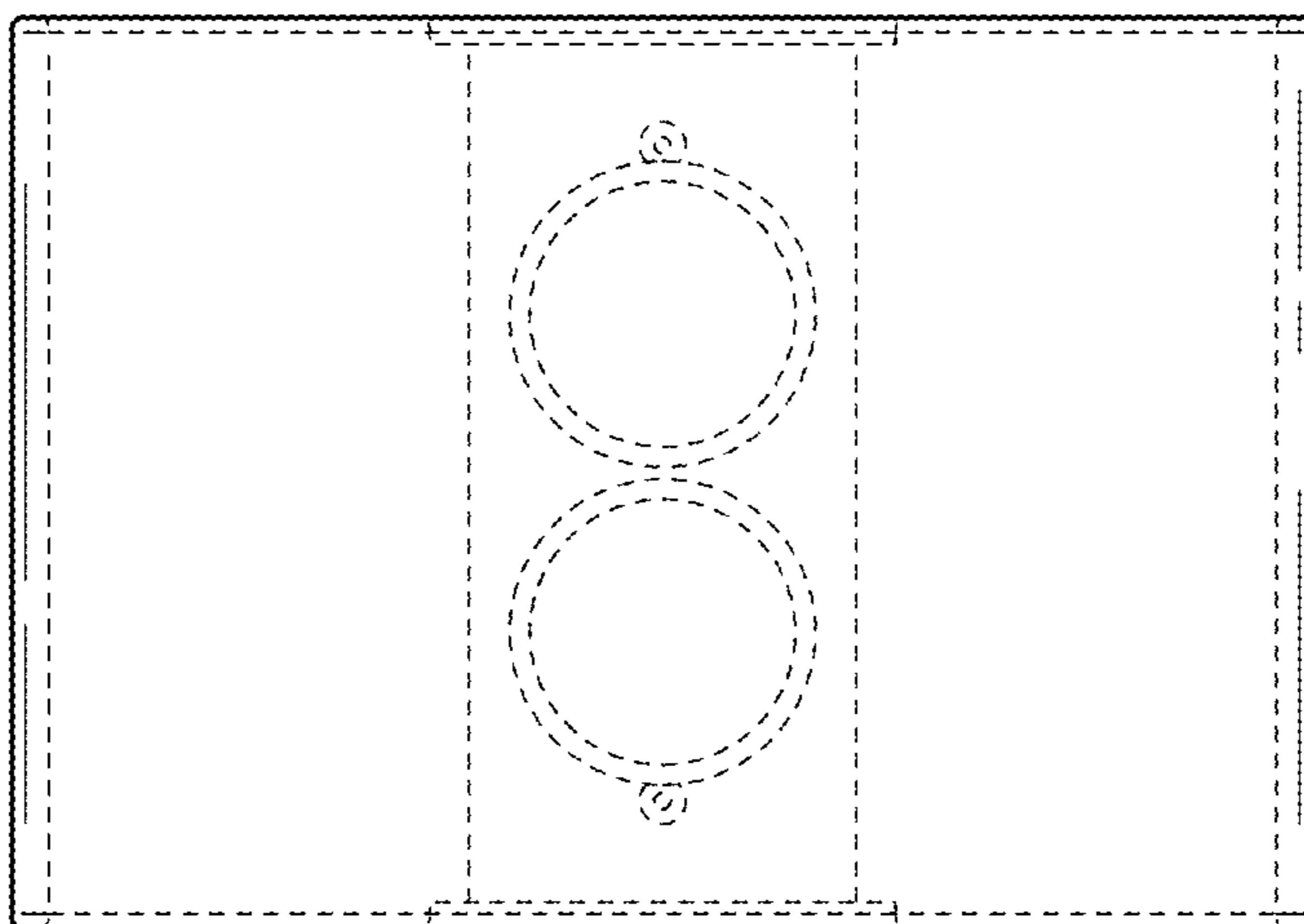


FIG. 7