



US00D830361S

(12) **United States Design Patent**
Jin et al.

(10) **Patent No.:** **US D830,361 S**

(45) **Date of Patent:** **** Oct. 9, 2018**

(54) **MOUSE**

(71) Applicant: **Kingston Digital, Inc.**, Fountain Valley, CA (US)

(72) Inventors: **Albert Jin**, Fountain Valley, CA (US);
Guan Hua Tzeng, Hsinchu (TW);
Chung Chuan Chou, Hsinchu (TW)

(73) Assignee: **Kingston Digital, Inc.**, Fountain Valley, CA (US)

(**) Term: **15 Years**

(21) Appl. No.: **29/615,146**

(22) Filed: **Aug. 25, 2017**

(51) **LOC (11) Cl.** **14-03**

(52) **U.S. Cl.**
USPC **D14/402**

(58) **Field of Classification Search**
USPC D14/402-411, 356, 388, 389, 383-385,
D14/417, 426; 345/156-167; 463/36-38;
358/471, 473; 273/148 B

CPC G06F 3/03543; G06F 2203/0333; G06F
3/039; G06F 3/038; G06F 2203/0384
See application file for complete search history.

(56) **References Cited**

U.S. PATENT DOCUMENTS

D563,957 S *	3/2008	White	D14/408
D581,417 S *	11/2008	Huang	D14/402
D591,298 S *	4/2009	Huang	D14/402
D591,299 S *	4/2009	Chen	D14/402
D614,188 S *	4/2010	Wolf-Petersen	D14/402
D617,324 S *	6/2010	Fang	D14/402

D711,380 S *	8/2014	Urban	D14/410
D739,406 S *	9/2015	Jost	D14/409
D745,870 S *	12/2015	Jost	D14/409
D762,646 S *	8/2016	Chong	D14/409
D764,470 S *	8/2016	Jost	D14/406

* cited by examiner

Primary Examiner — Austin Murphy

(74) *Attorney, Agent, or Firm* — Skaar Ulbrich Macari, P.A.

(57) **CLAIM**

We claim an ornamental design for a mouse, as shown and described.

DESCRIPTION

FIG. 1 is a first perspective view of a mouse showing the claimed design;

FIG. 2 is a second perspective view of FIG. 1;

FIG. 3 is a third perspective view of FIG. 1;

FIG. 4 is a front elevational view of FIG. 1;

FIG. 5 is a rear elevational view of FIG. 1;

FIG. 6 is a left side elevational view of FIG. 1;

FIG. 7 is a right side elevational view of FIG. 1;

FIG. 8 is a top plan view of FIG. 1;

FIG. 9 is a bottom plan view of FIG. 1;

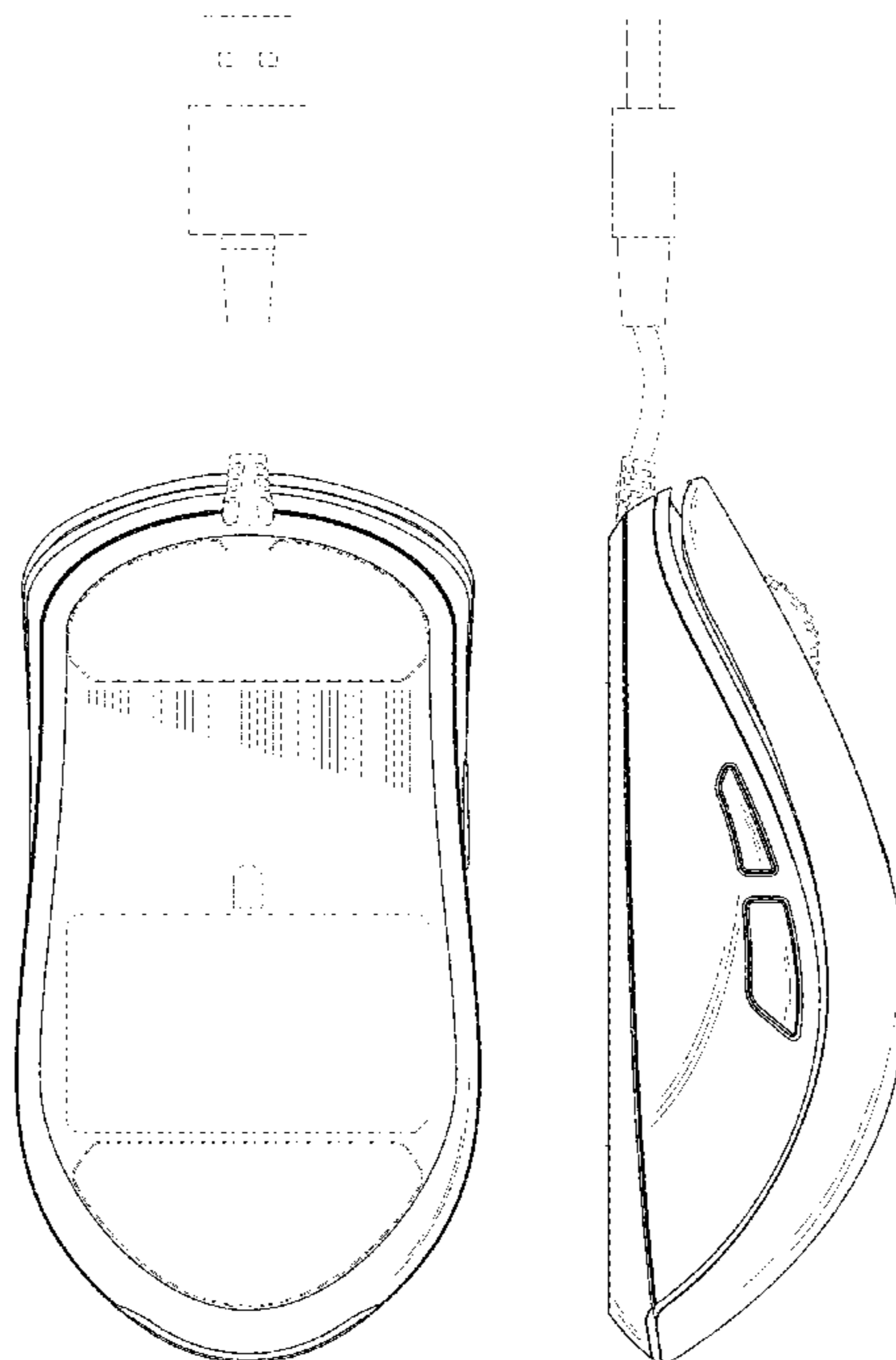
FIG. 10 is an enlarged view according to a circle area A of FIG. 1; and,

FIG. 11 is another enlarged view according to a circle area B of FIG. 2.

The broken lines in the figures represent portions of the article which form no part of the claimed design.

The dot-dash lines in the figures represent the boundary of an enlarged area and form no part of the claimed design.

1 Claim, 9 Drawing Sheets



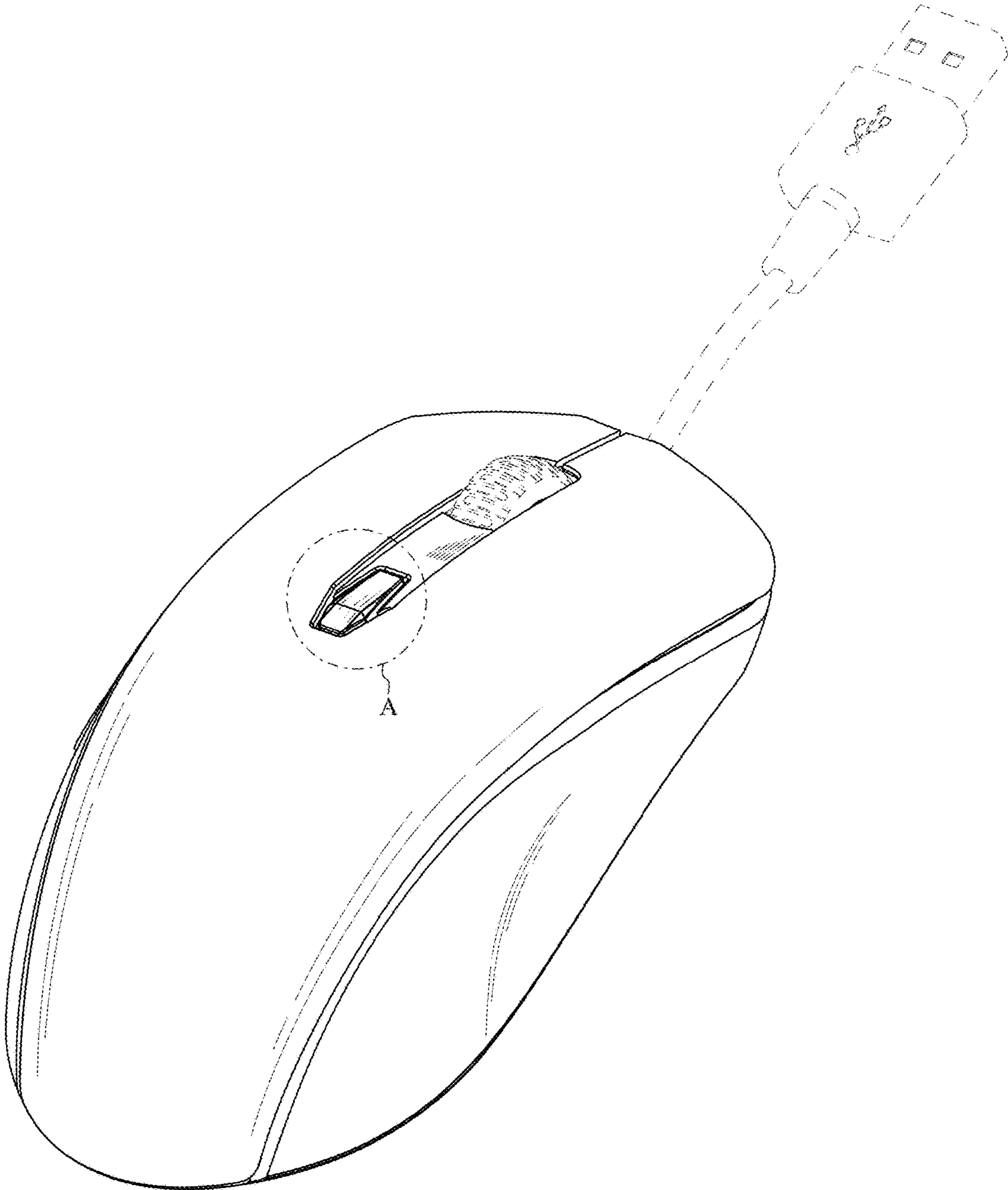


FIG. 1

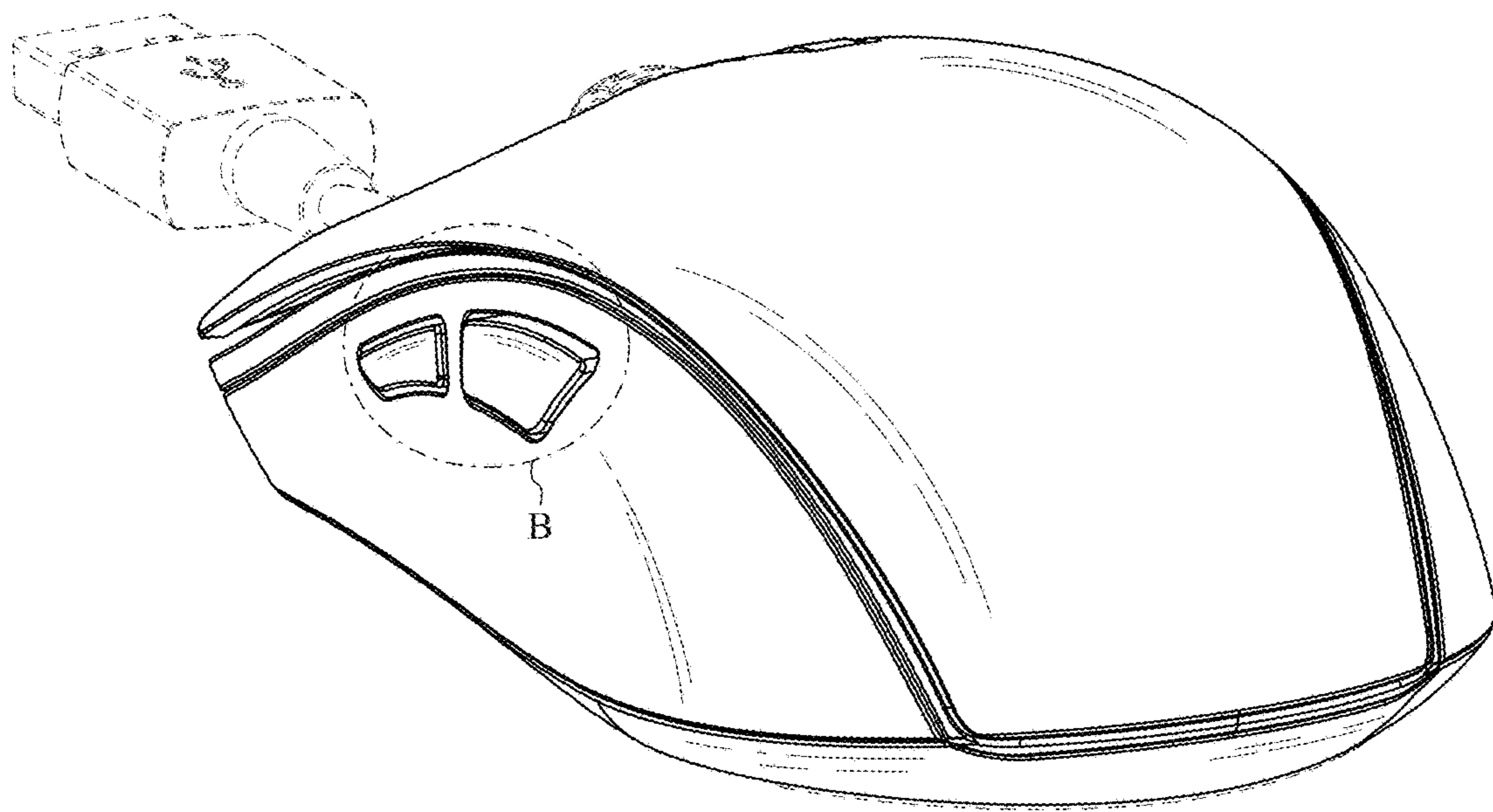


FIG. 2

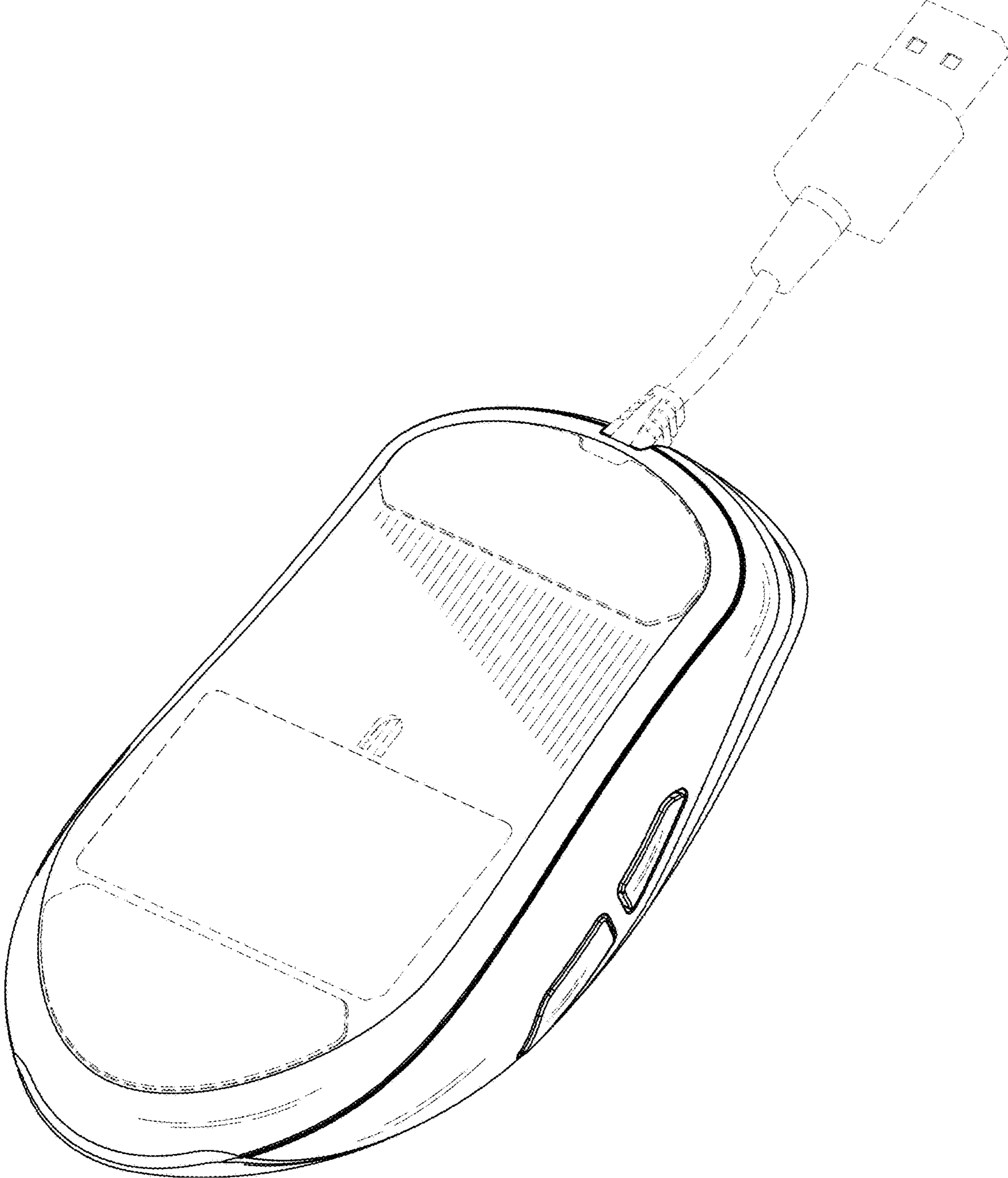


FIG. 3

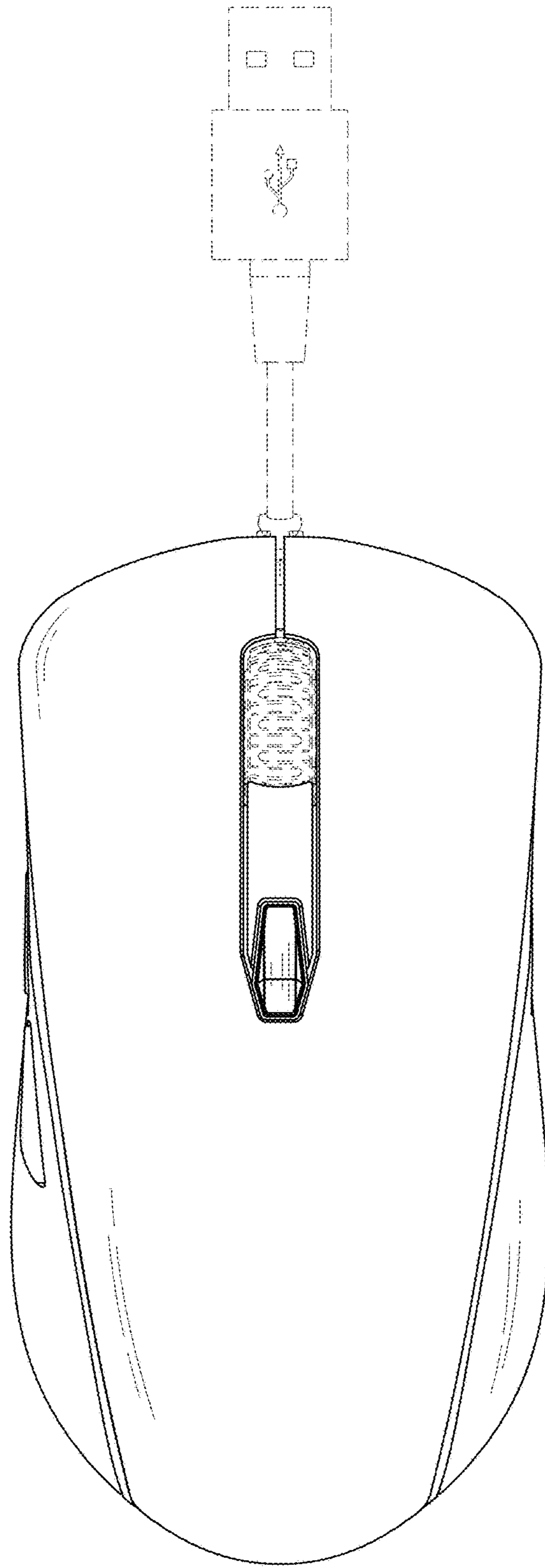


FIG. 4

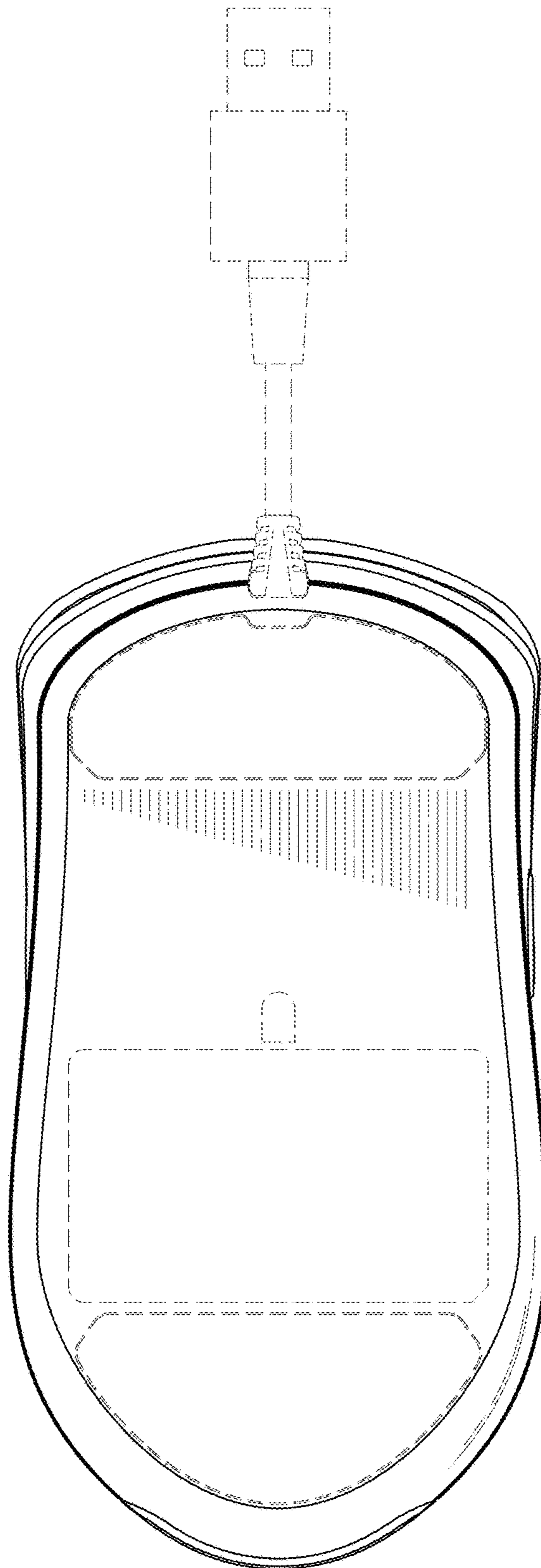


FIG. 5

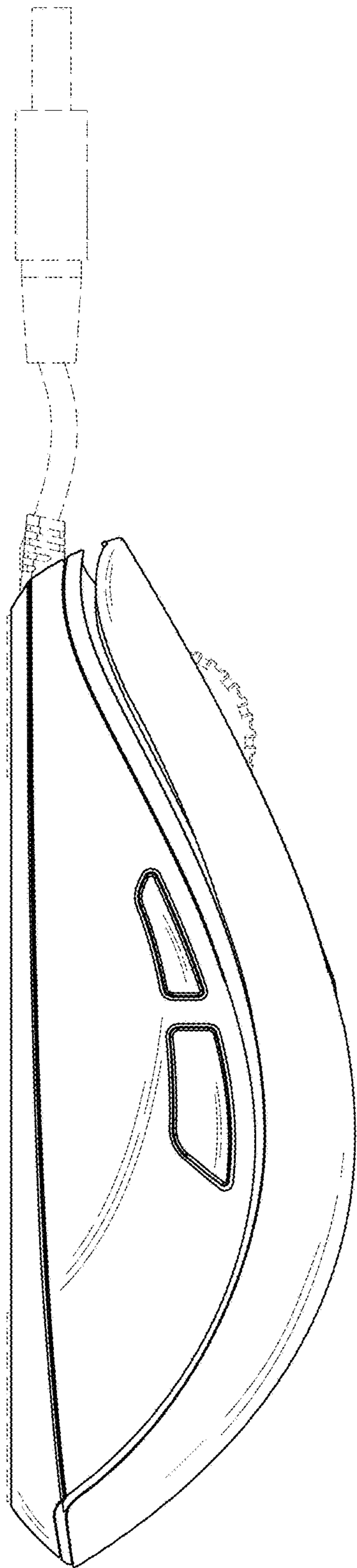


FIG. 6

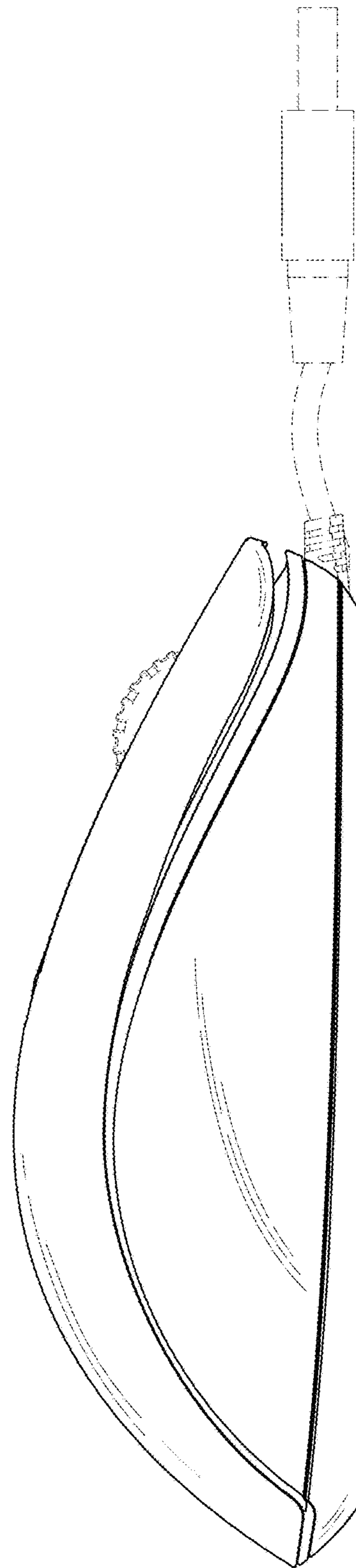


FIG. 7

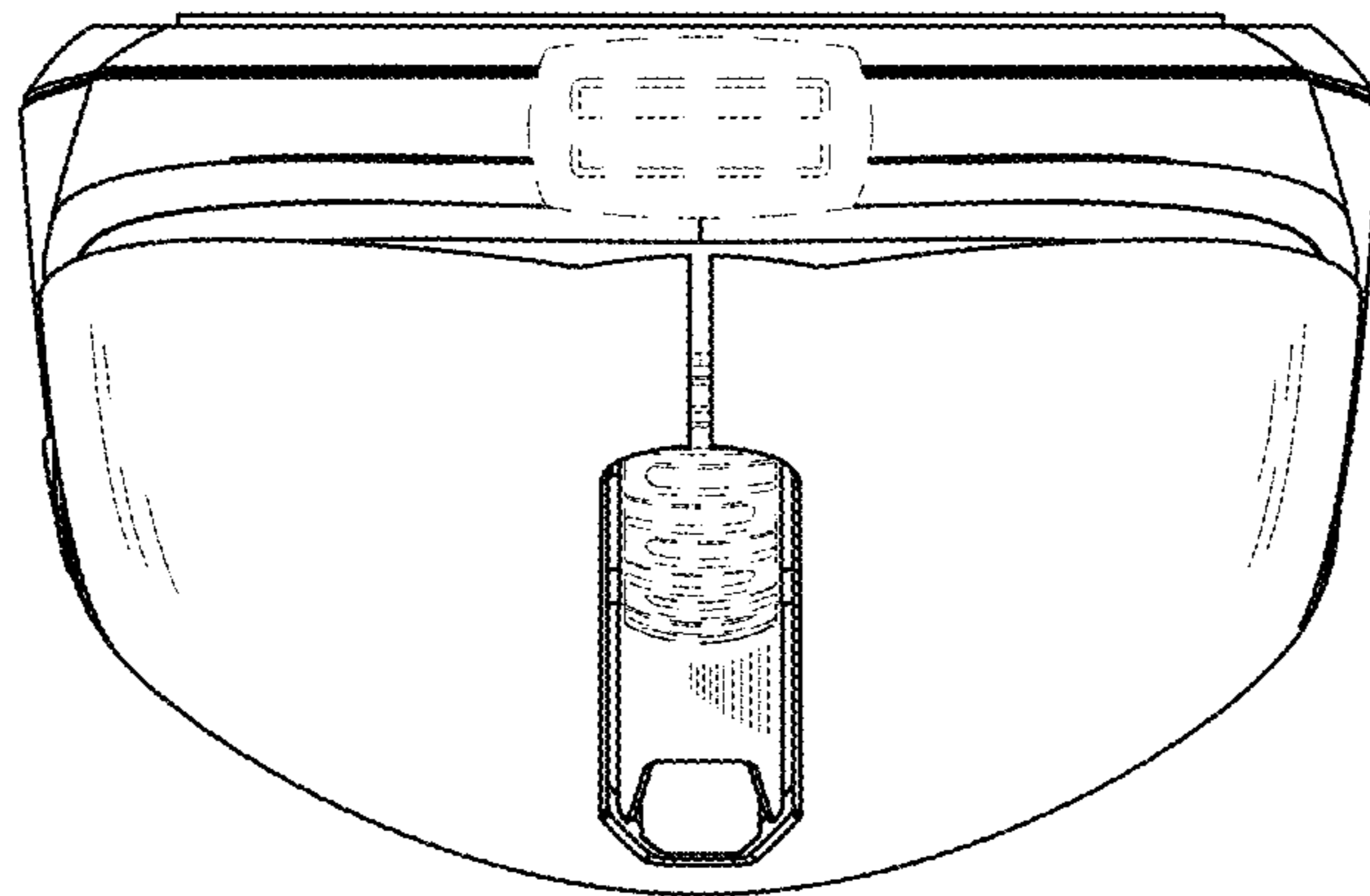


FIG. 8

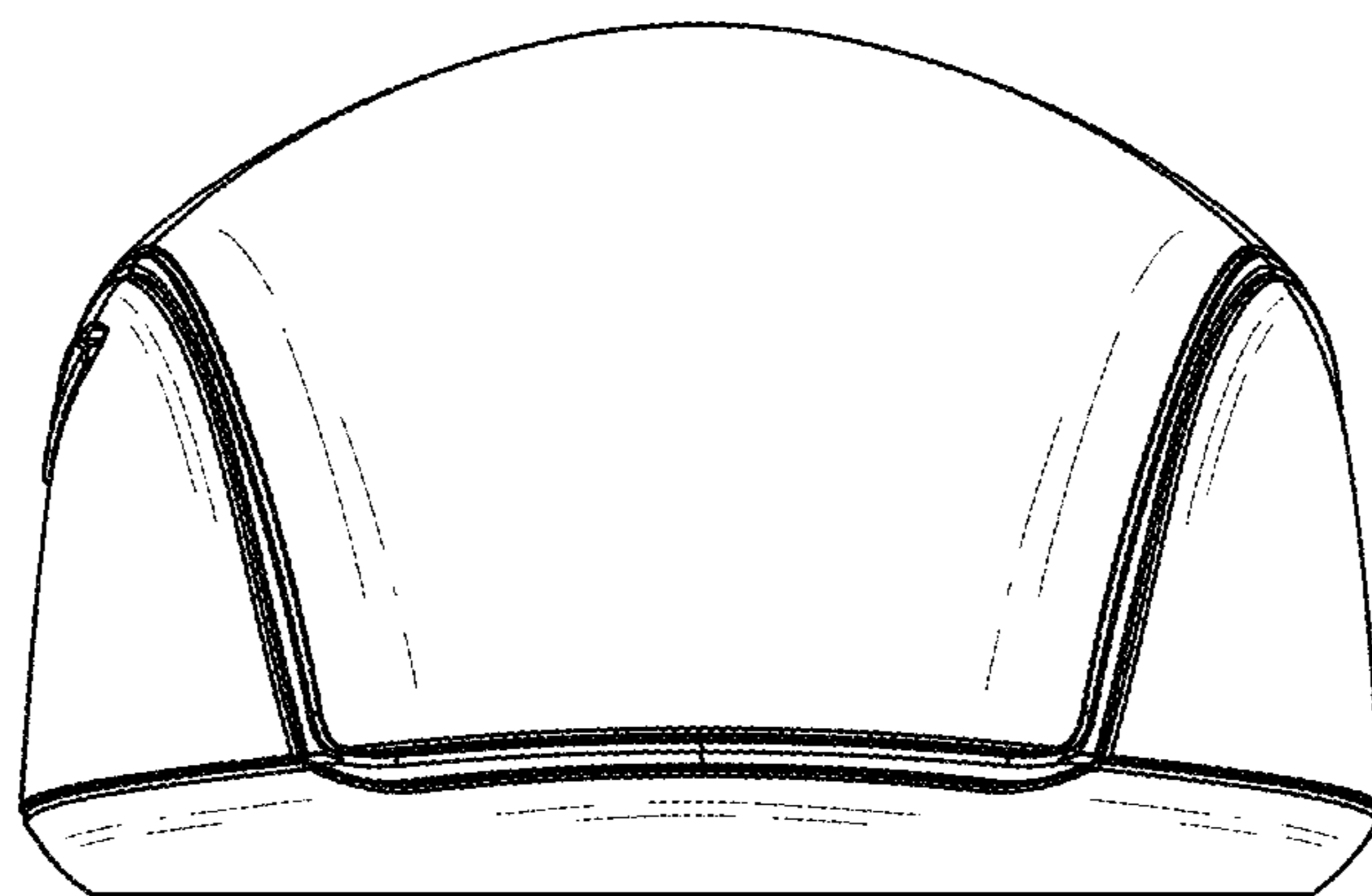


FIG. 9

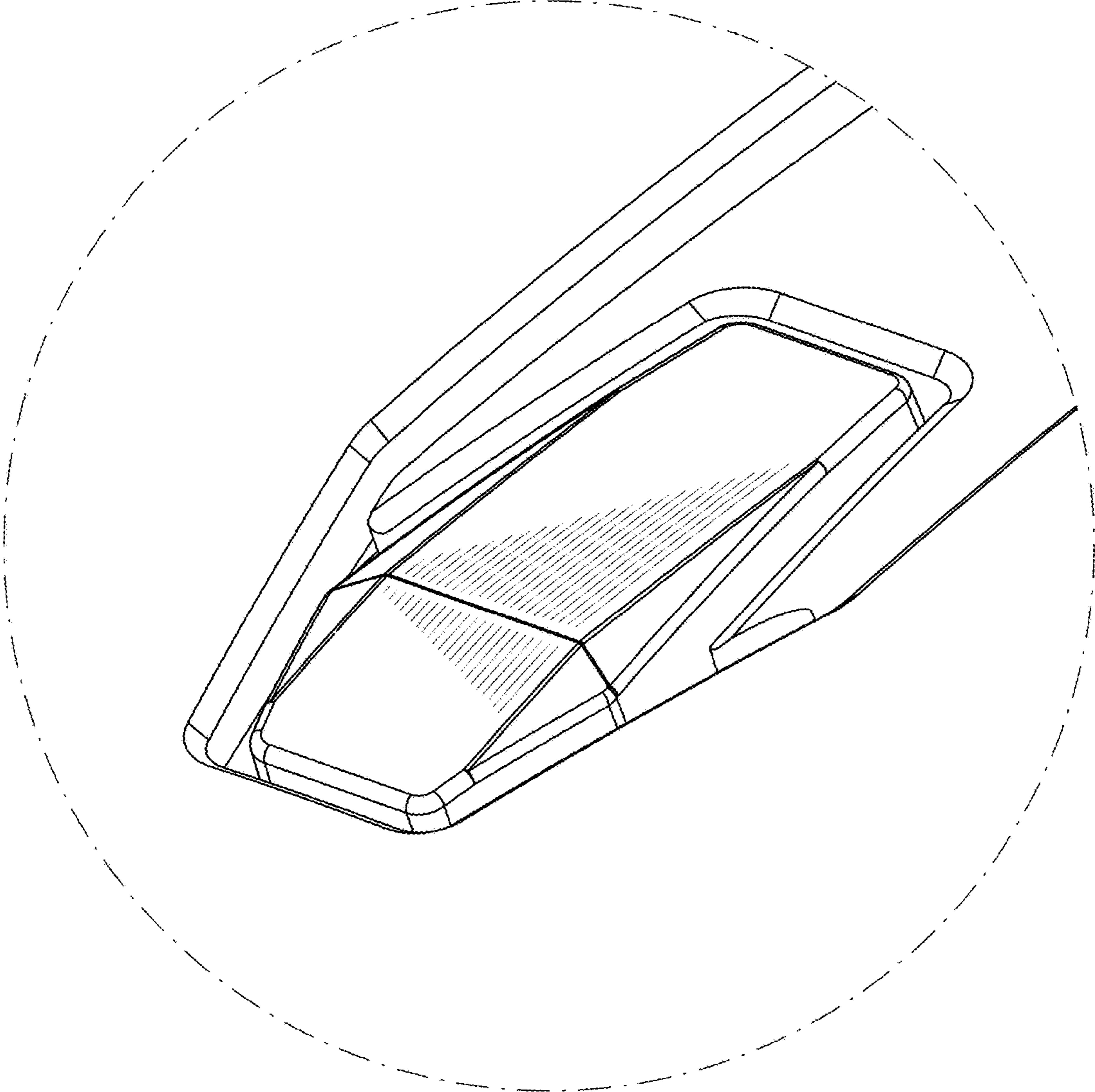


FIG. 10

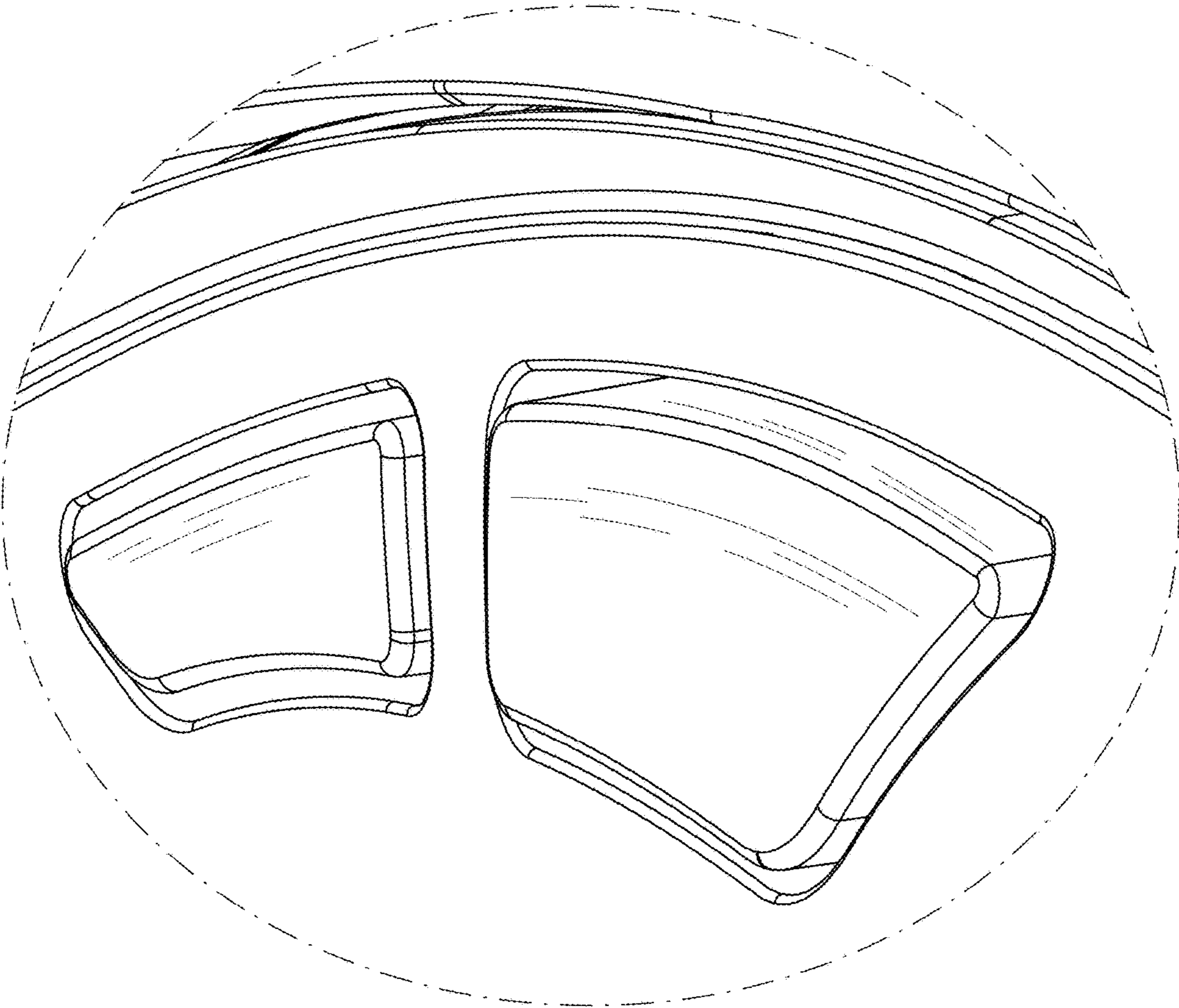


FIG. 11