



US00D830358S

(12) **United States Design Patent**  
**Wietzke**

(10) **Patent No.:** **US D830,358 S**

(45) **Date of Patent:** **\*\* Oct. 9, 2018**

(54) **NETWORK BOX WITH A CLIP**

(71) Applicant: **SECA AG**, Reinach (CH)

(72) Inventor: **Timo Wietzke**, Hamburg (DE)

(\*\*) Term: **15 Years**

(21) Appl. No.: **35/503,144**

(22) Filed: **Jan. 27, 2017**

(80) **Hague Agreement Data**

Int. Filing Date: **Jan. 27, 2017**

Int. Reg. No.: **DM/096335**

Int. Reg. Date: **Jan. 27, 2017**

Int. Reg. Pub. Date: **Jun. 16, 2017**

(51) **LOC (11) Cl.** ..... **14-02**

(52) **U.S. Cl.**  
USPC ..... **D14/358**

(58) **Field of Classification Search**

USPC ..... D14/356-357, 385; D10/65, 75, 78,  
D10/104.1; D13/103, 119, 162, 184, 199

CPC ... G11B 33/027; G11B 33/122; G11B 33/124;  
G11B 33/022; G11B 33/025

See application file for complete search history.

(56) **References Cited**

**U.S. PATENT DOCUMENTS**

D568,310 S \* 5/2008 Franck ..... D14/240  
D612,329 S \* 3/2010 Guccione ..... D13/108

D656,496 S *	3/2012	Andre .....	D14/341
D677,623 S *	3/2013	Fitch .....	D13/108
D718,288 S *	11/2014	Wang .....	D14/240
D732,023 S *	6/2015	Asao .....	D14/358
D759,012 S *	6/2016	Golden .....	D10/50
D764,460 S *	8/2016	Veja .....	D14/358
D780,605 S *	3/2017	Chen .....	D10/49
D785,608 S *	5/2017	Weaver .....	D14/240
D810,078 S *	2/2018	Kikuchi .....	D14/358
2005/0041387 A1 *	2/2005	Lee .....	G06F 1/16 361/679.33

\* cited by examiner

*Primary Examiner* — Michael A. Pratt

(57) **CLAIM**

The ornamental design for a network box with a clip, as shown and described.

**DESCRIPTION**

1. Network box with a clip

1.1 : Back

1.2 : Front

1.3 : Left

1.4 : Bottom

1.5 : Right

1.6 : Top

1.7 : Perspective

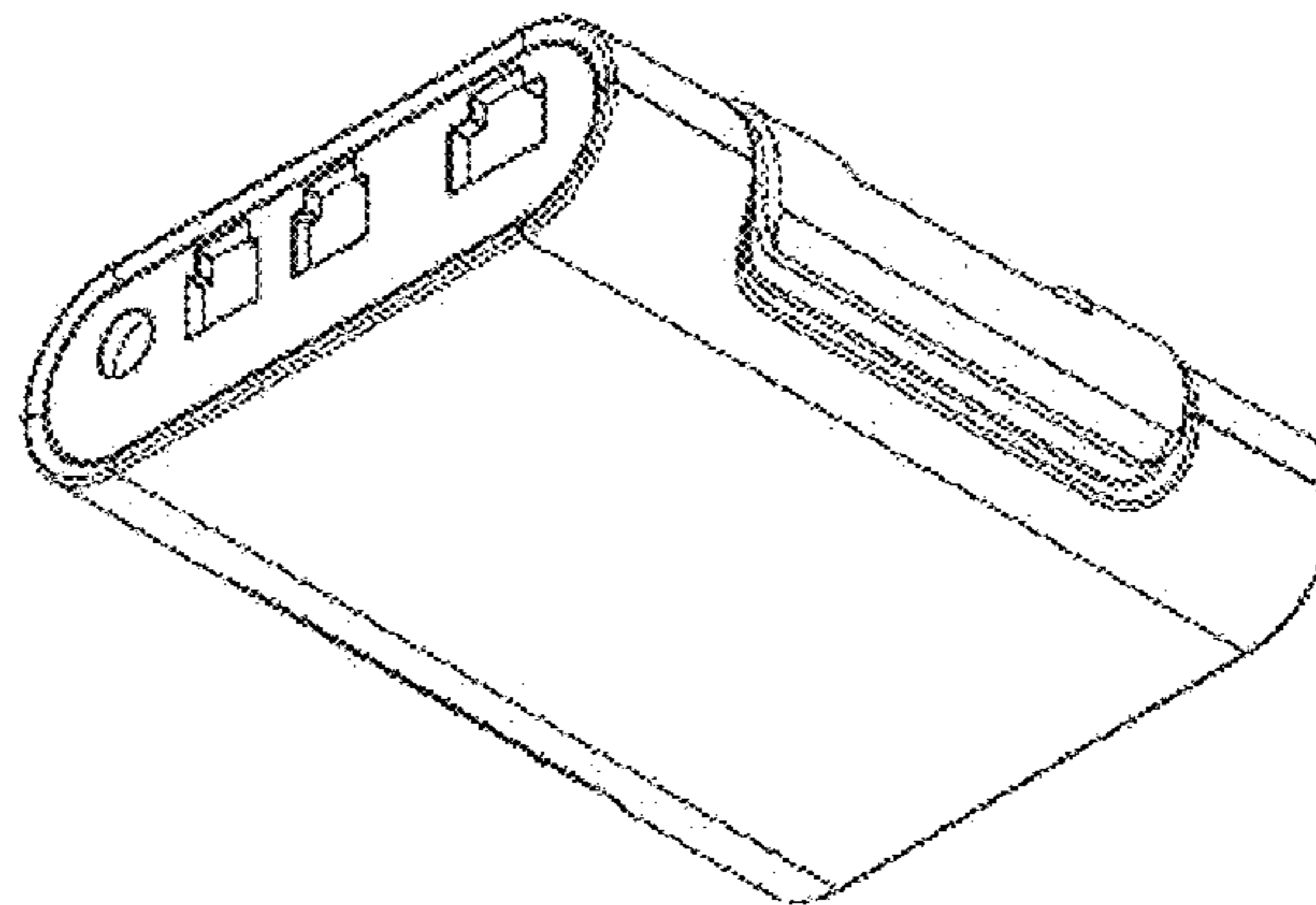
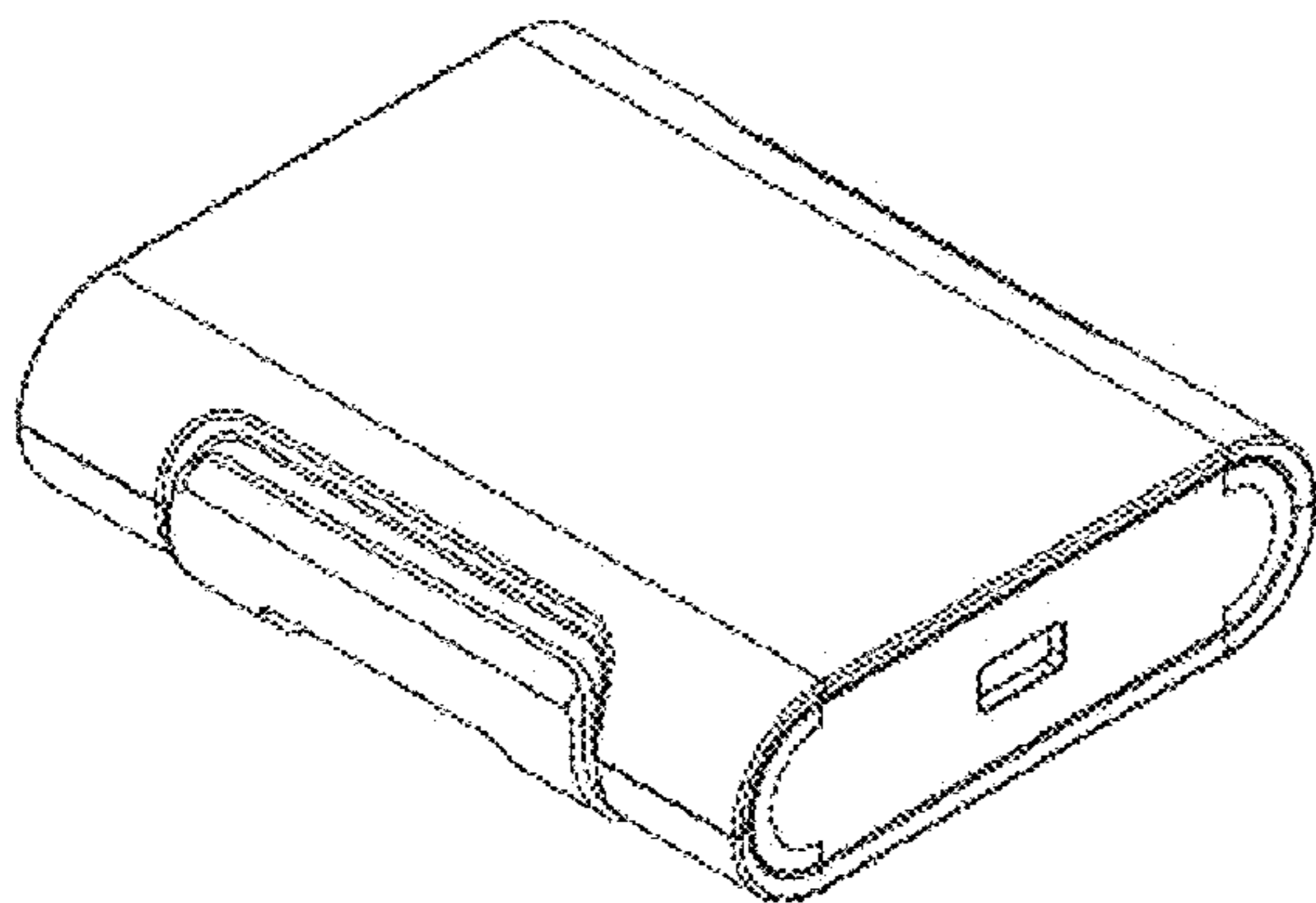
1.8 : Perspective

1.9 : Unfolded

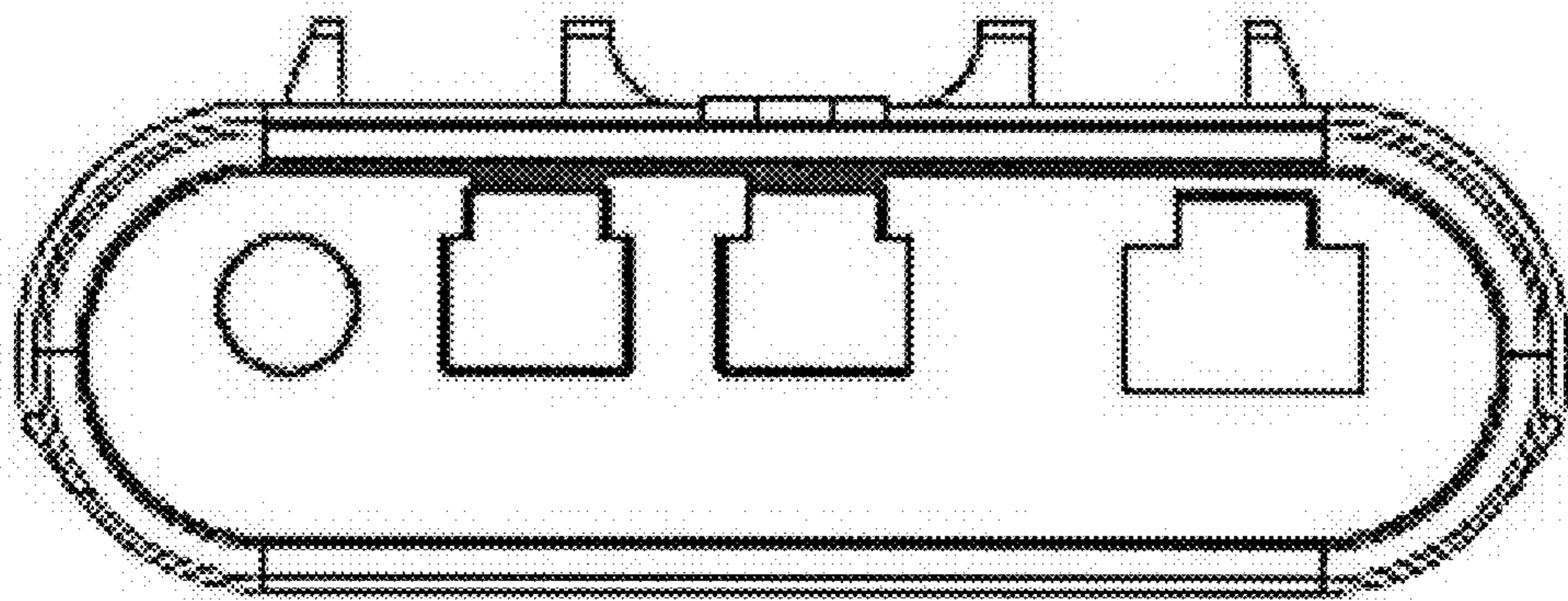
1.10 : Unfolded

The network box is designed for a use as attachment to a scale.

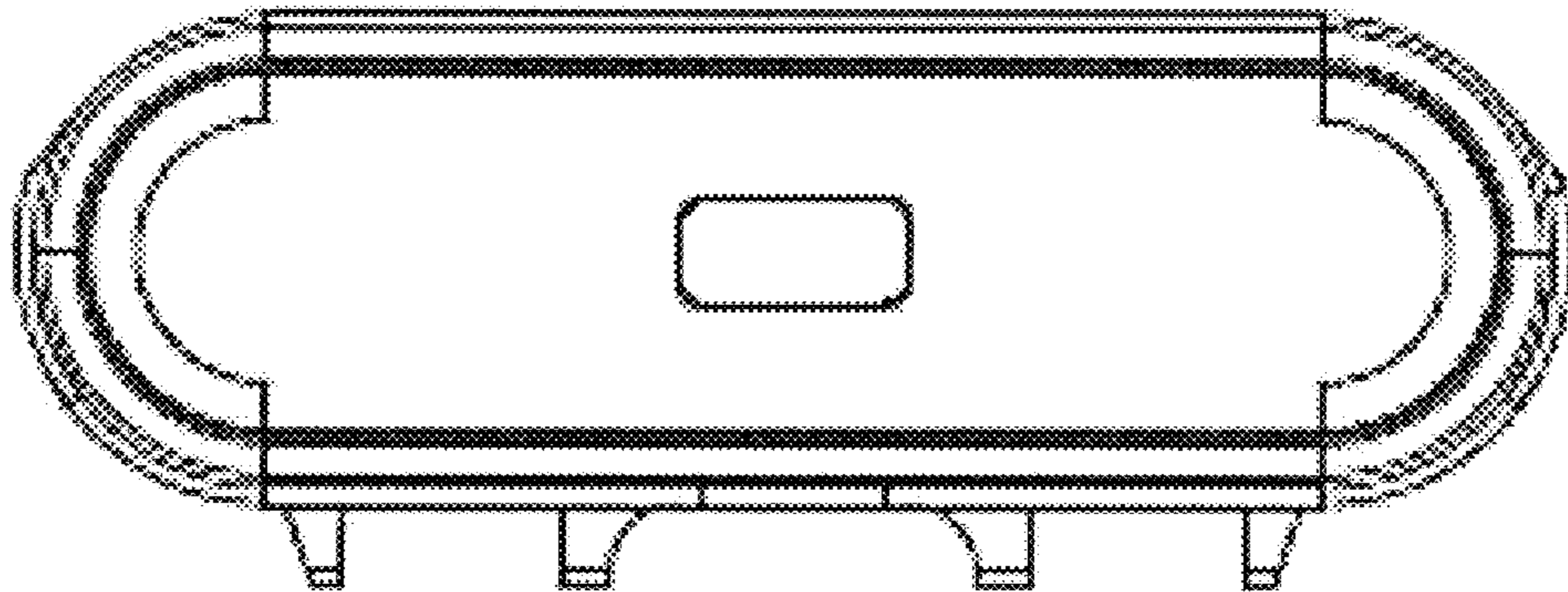
**1 Claim, 10 Drawing Sheets**



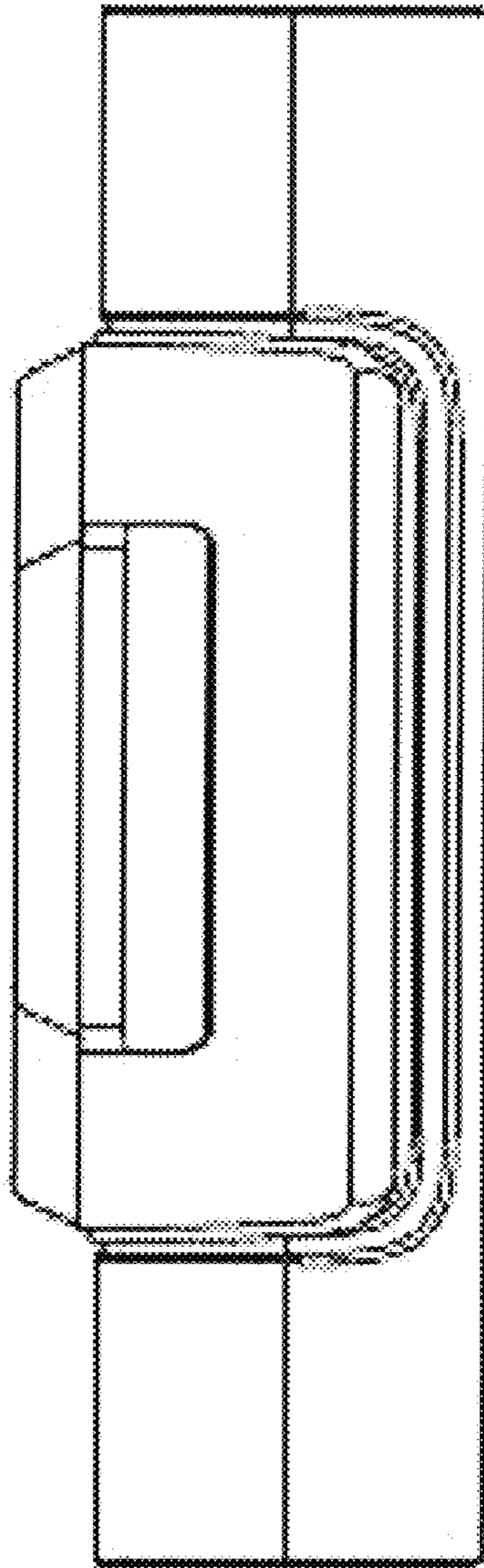
**1.1**



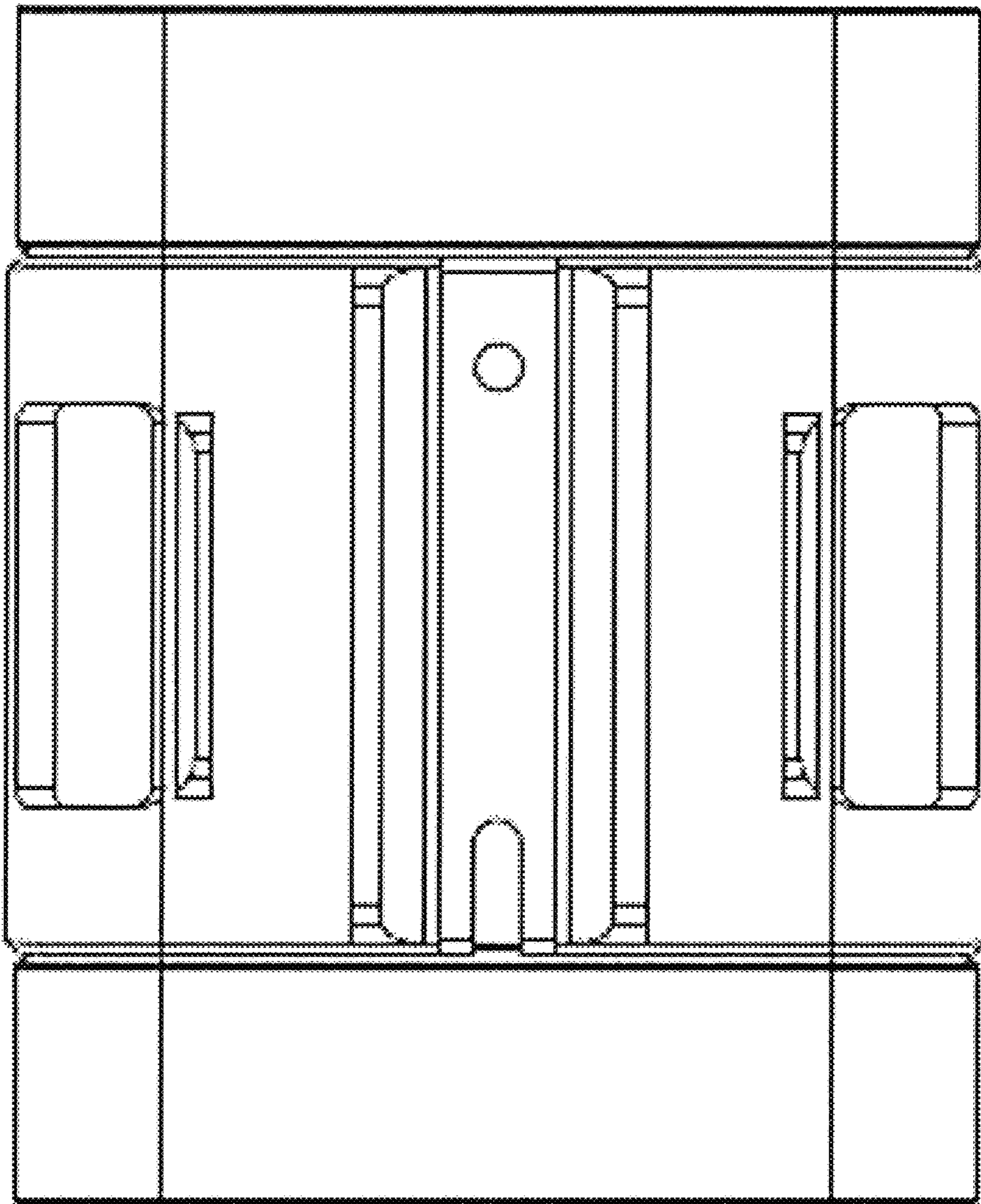
1.2



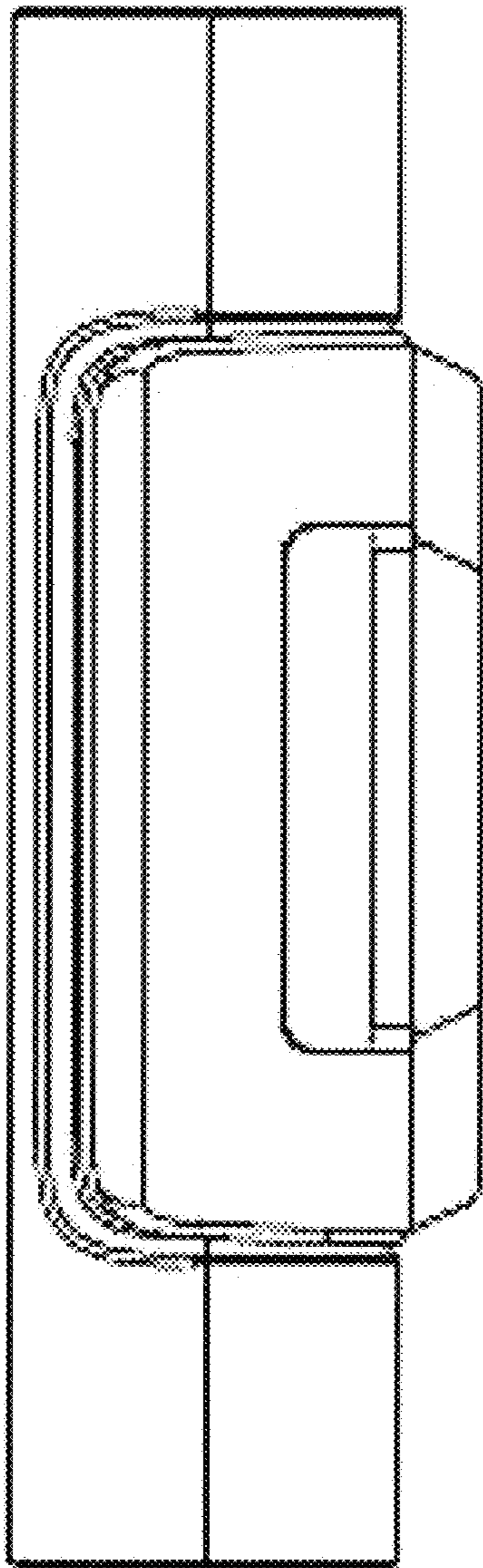
**1.3**



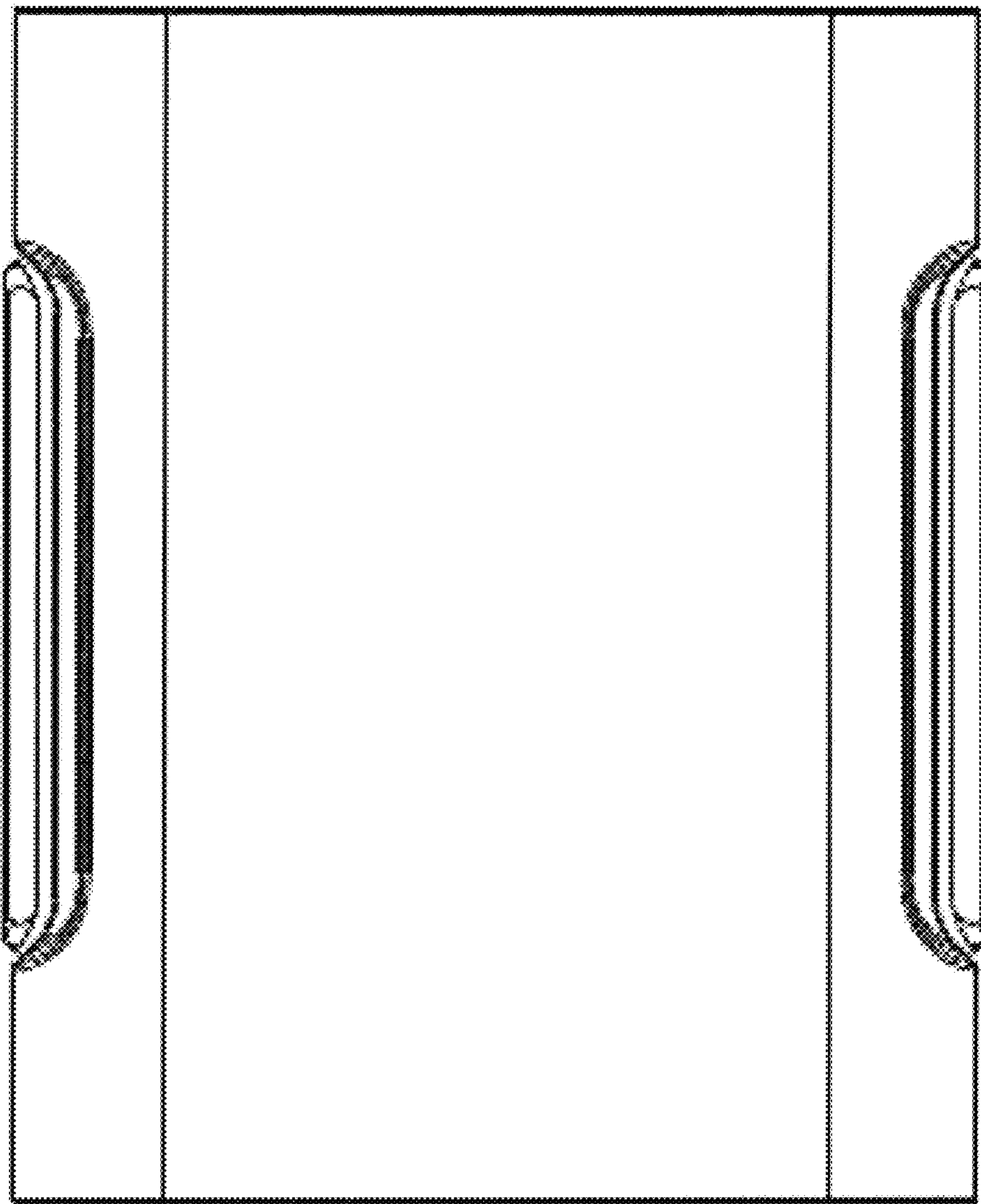
# 1.4



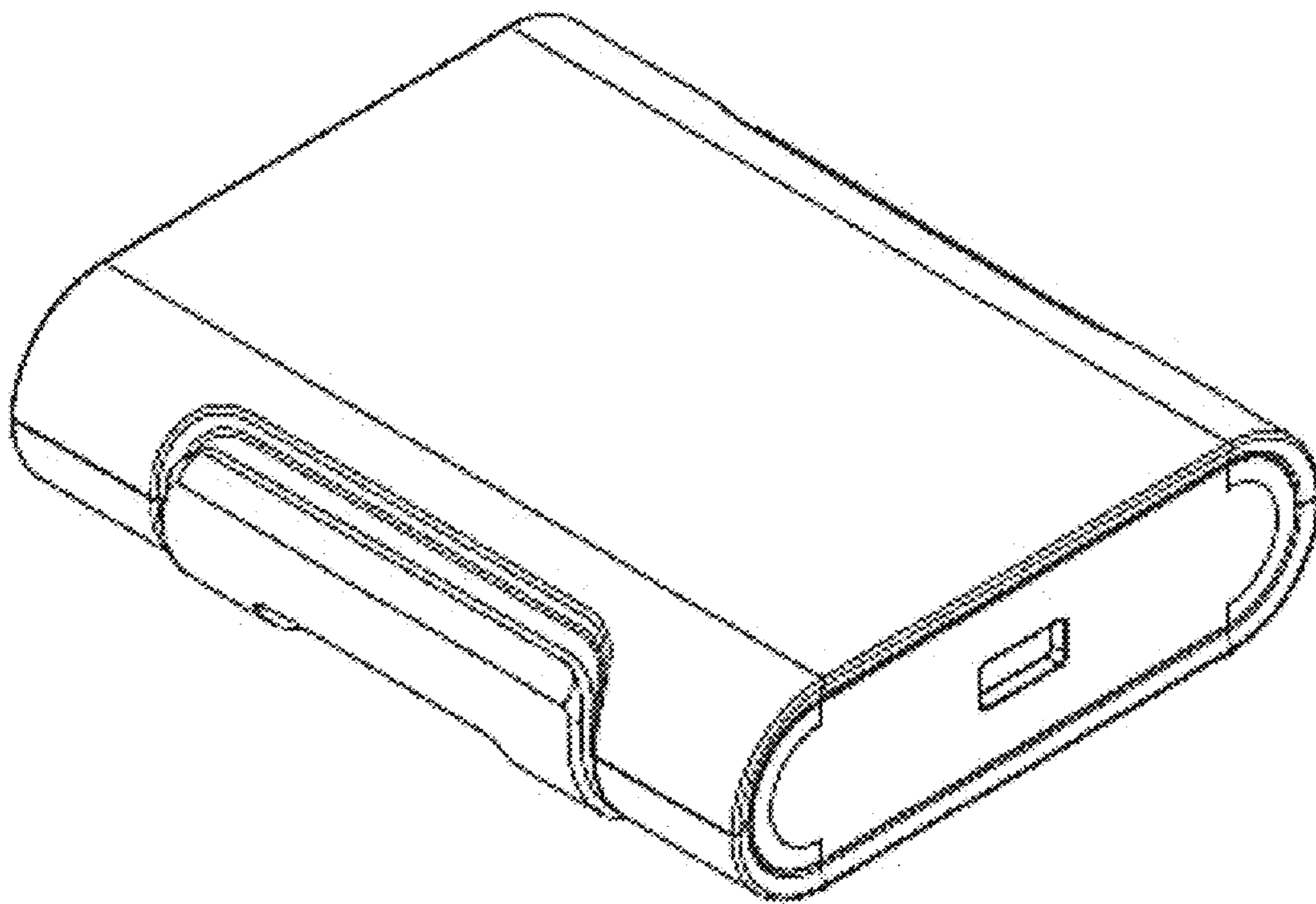
1.5



**1.6**

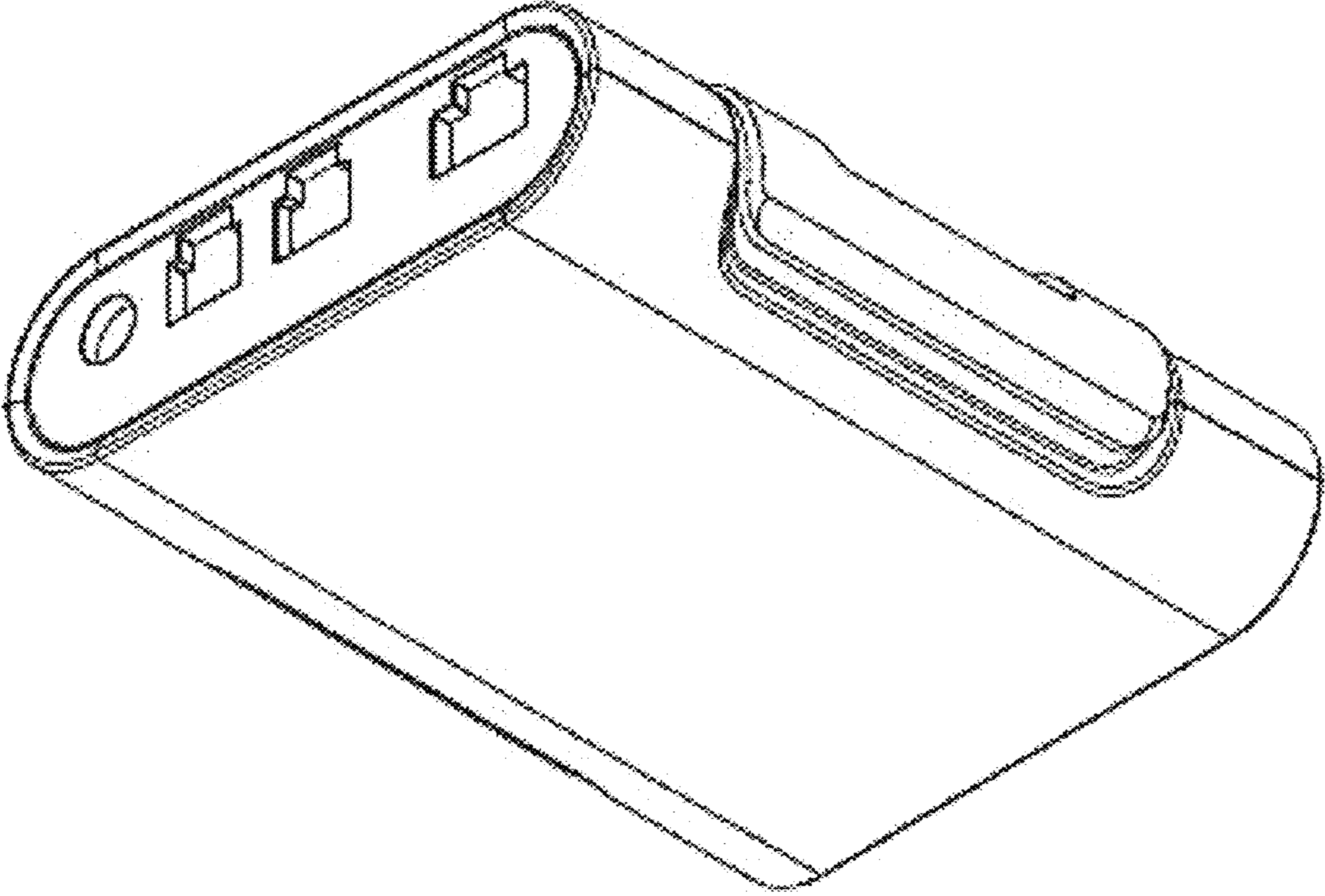


1.7

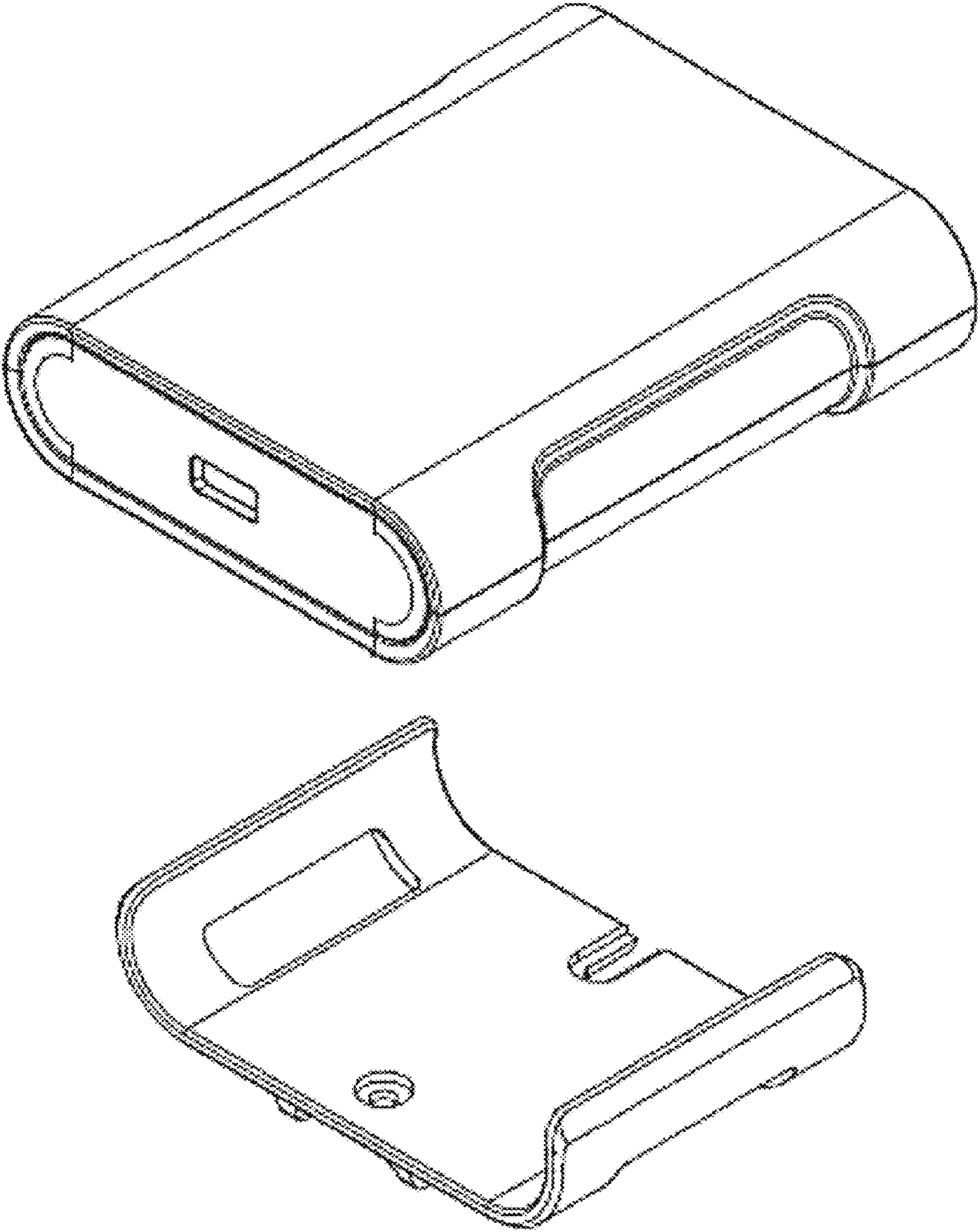




1.8



1.9



1.10

