

US00D830356S

(12) **United States Design Patent**
Deng

(10) **Patent No.:** **US D830,356 S**

(45) **Date of Patent:** **** Oct. 9, 2018**

- (54) **MOBILE PHONE CASE**
- (71) Applicant: **Hongchu Deng**, Guangzhou (CN)
- (72) Inventor: **Hongchu Deng**, Guangzhou (CN)
- (**) Term: **15 Years**
- (21) Appl. No.: **29/594,642**
- (22) Filed: **Feb. 21, 2017**
- (51) **LOC (11) Cl.** **14-03**
- (52) **U.S. Cl.**
USPC **D14/250**
- (58) **Field of Classification Search**
USPC D3/201, 207, 208, 212, 218, 232, 233,
D3/239, 242, 245-251, 269, 273, 301,
D3/303; D13/103, 107, 108, 119;
D14/137, 138 R, 138 AA, 138 C, 138 G,
D14/203.3-203.7, 217, 238.1, 247, 248,
D14/250, 251-253, 440
CPC H04B 1/3888; H04M 1/0283; H04M
1/0202; A45C 1/06; A45C 2011/002;
A45C 23/02; A45C 11/00; A45F
2005/028; A45F 2200/0525; A45F
2200/0518
See application file for complete search history.

- D721,689 S * 1/2015 Altschul H04B 1/3888
D14/250
- D724,593 S * 3/2015 Cohen D14/440
- D755,168 S * 5/2016 Kim D14/250
- D755,773 S * 5/2016 Kim D14/250
- D759,004 S * 6/2016 Stevinson D14/250
- D759,646 S * 6/2016 Karis D14/250
- D759,966 S * 6/2016 Pignotti D3/247
- D772,212 S * 11/2016 Daniel D14/250
- D772,214 S * 11/2016 Daniel D14/250

* cited by examiner

Primary Examiner — Susan E Krakower
Assistant Examiner — L. A. Grabenstetter
(74) *Attorney, Agent, or Firm* — Novoclaims Patent
Services LLC; Mei Lin Wong

(57) **CLAIM**

The ornamental design for a mobile phone case, as shown and described.

DESCRIPTION

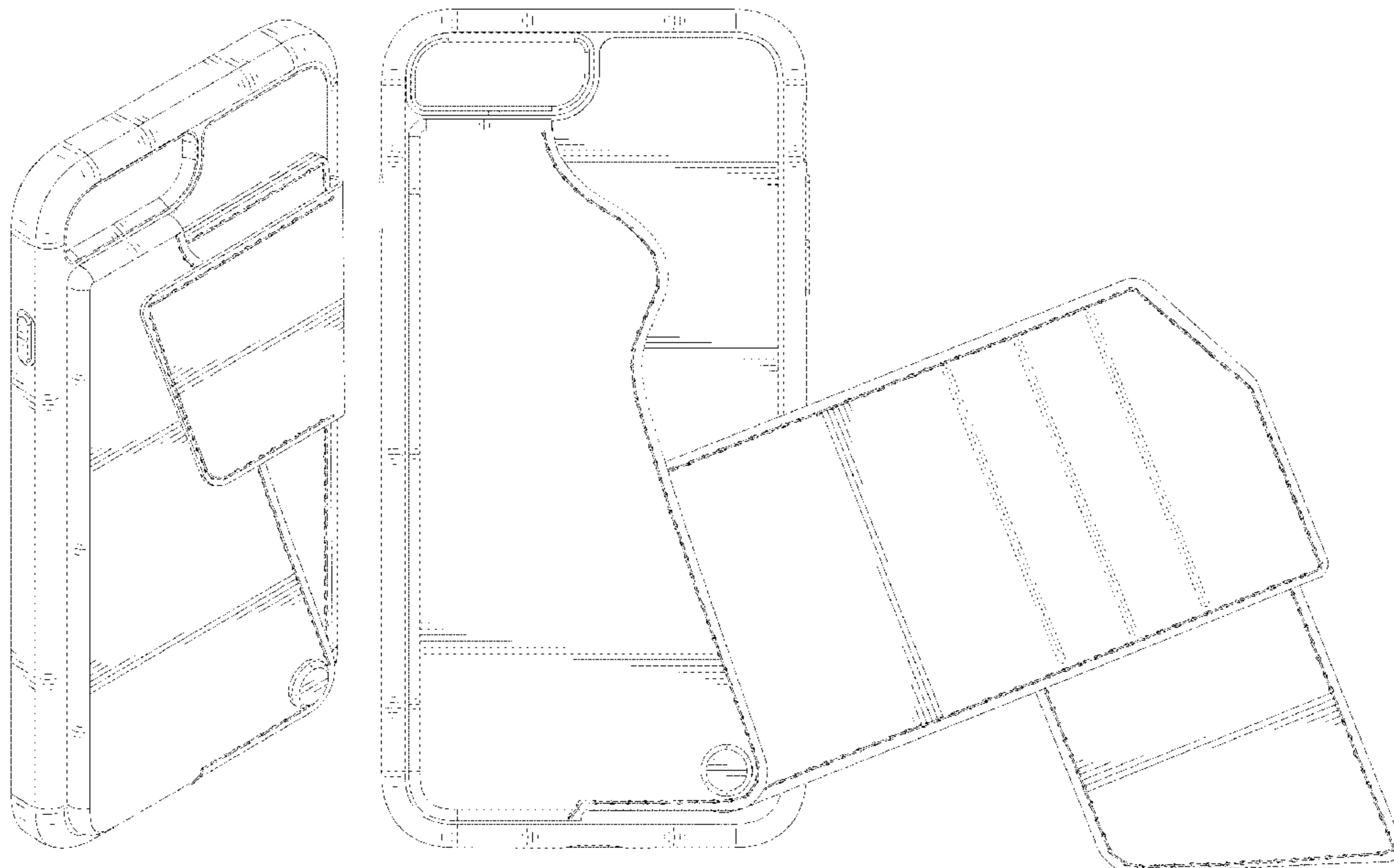
FIG. 1 is a perspective view of a mobile phone case in accordance with the present invention.
FIG. 2 is a second perspective view thereof.
FIG. 3 is a third perspective view thereof.
FIG. 4 is a front view thereof.
FIG. 5 is a rear view thereof.
FIG. 6 is a left end view thereof.
FIG. 7 is a right end view thereof.
FIG. 8 is a top view thereof.
FIG. 9 is a bottom view thereof; and,
FIG. 10 is rear view thereof showing an open position.
The broken lines depict unclaimed portions of the mobile phone case.

1 Claim, 10 Drawing Sheets

(56) **References Cited**

U.S. PATENT DOCUMENTS

- D440,041 S * 4/2001 Fermin D3/226
- D533,348 S * 12/2006 Andre D3/303
- D615,078 S * 5/2010 Bradley D14/250
- D619,356 S * 7/2010 Hillman D3/218
- D688,655 S * 8/2013 Rey-Hipolito D14/250
- D705,764 S * 5/2014 Thoni D14/250
- D719,143 S * 12/2014 Vidovic D14/250



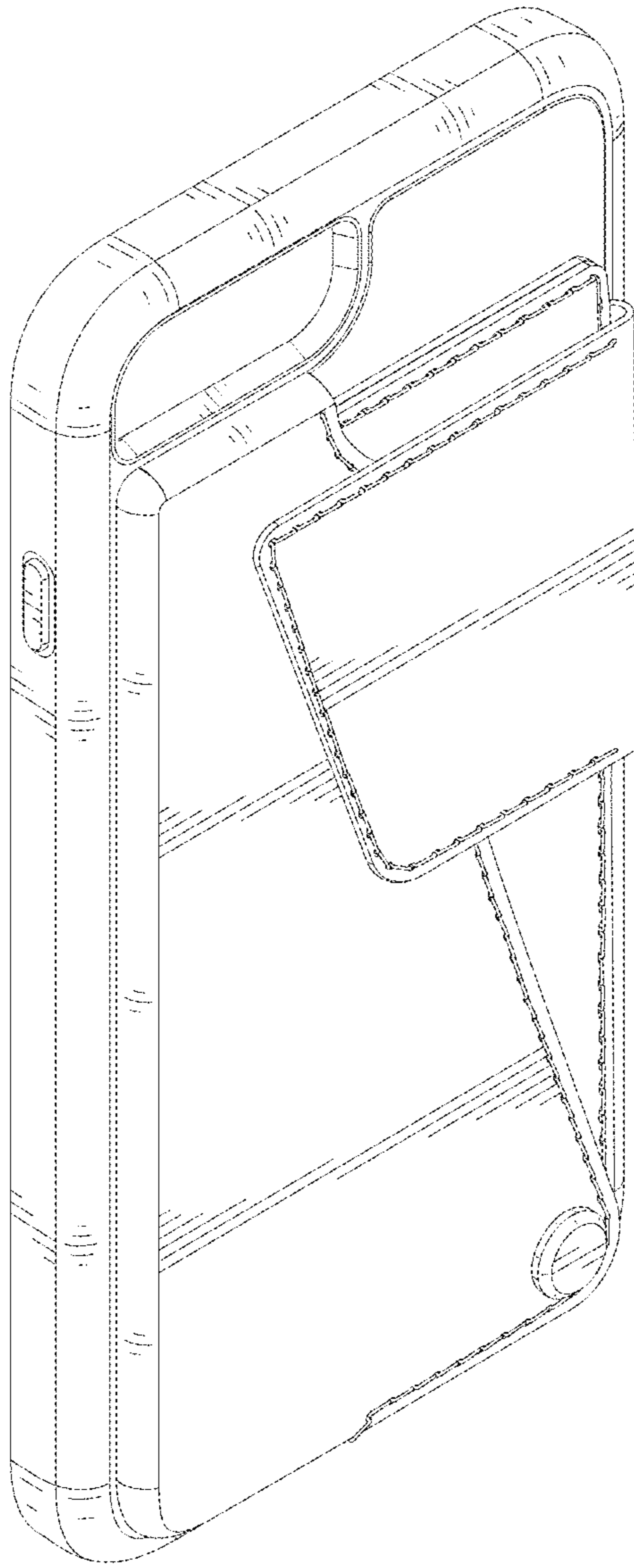


FIG.1

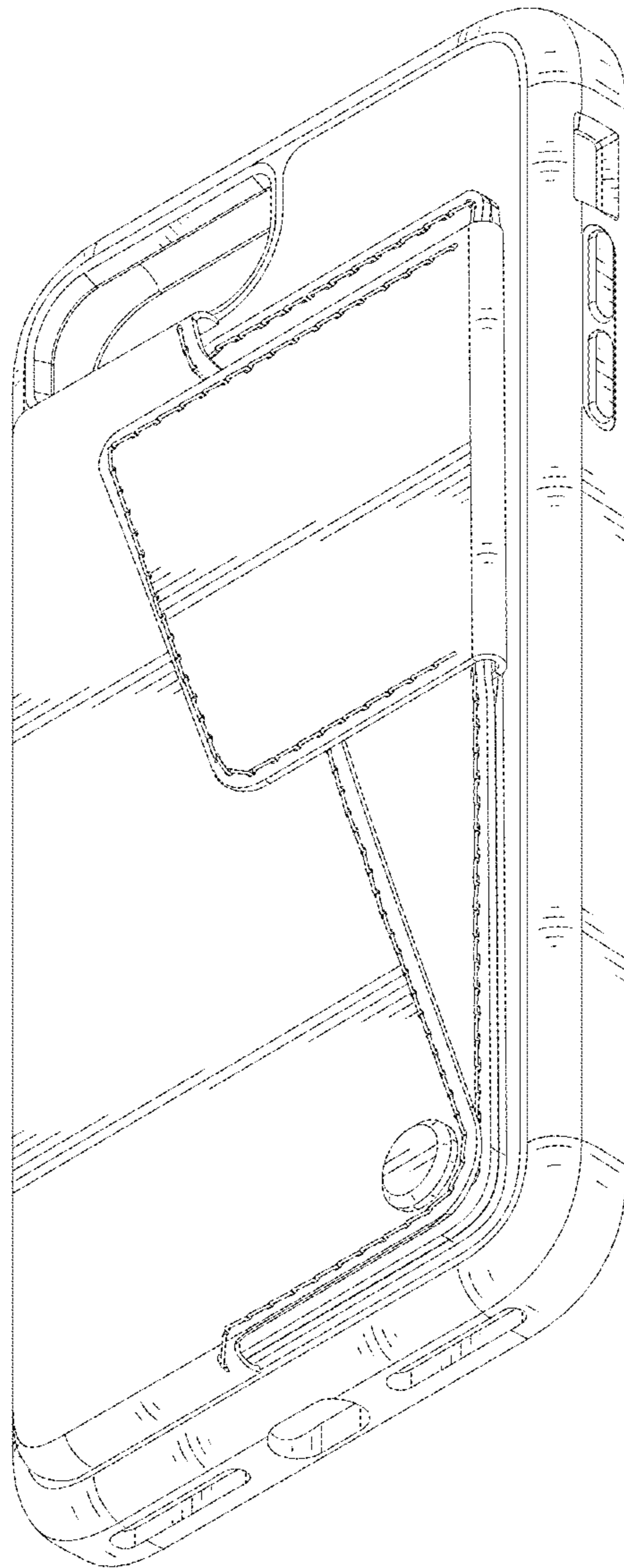


FIG.2

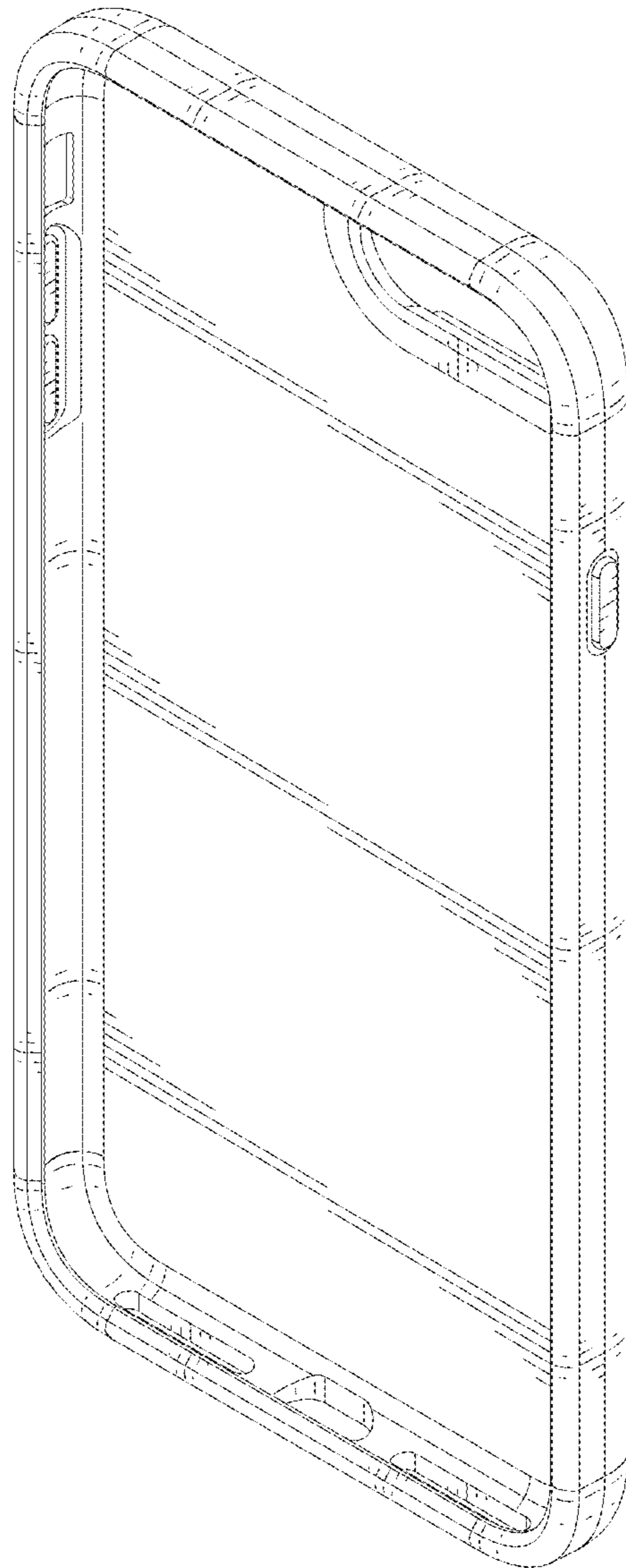


FIG.3

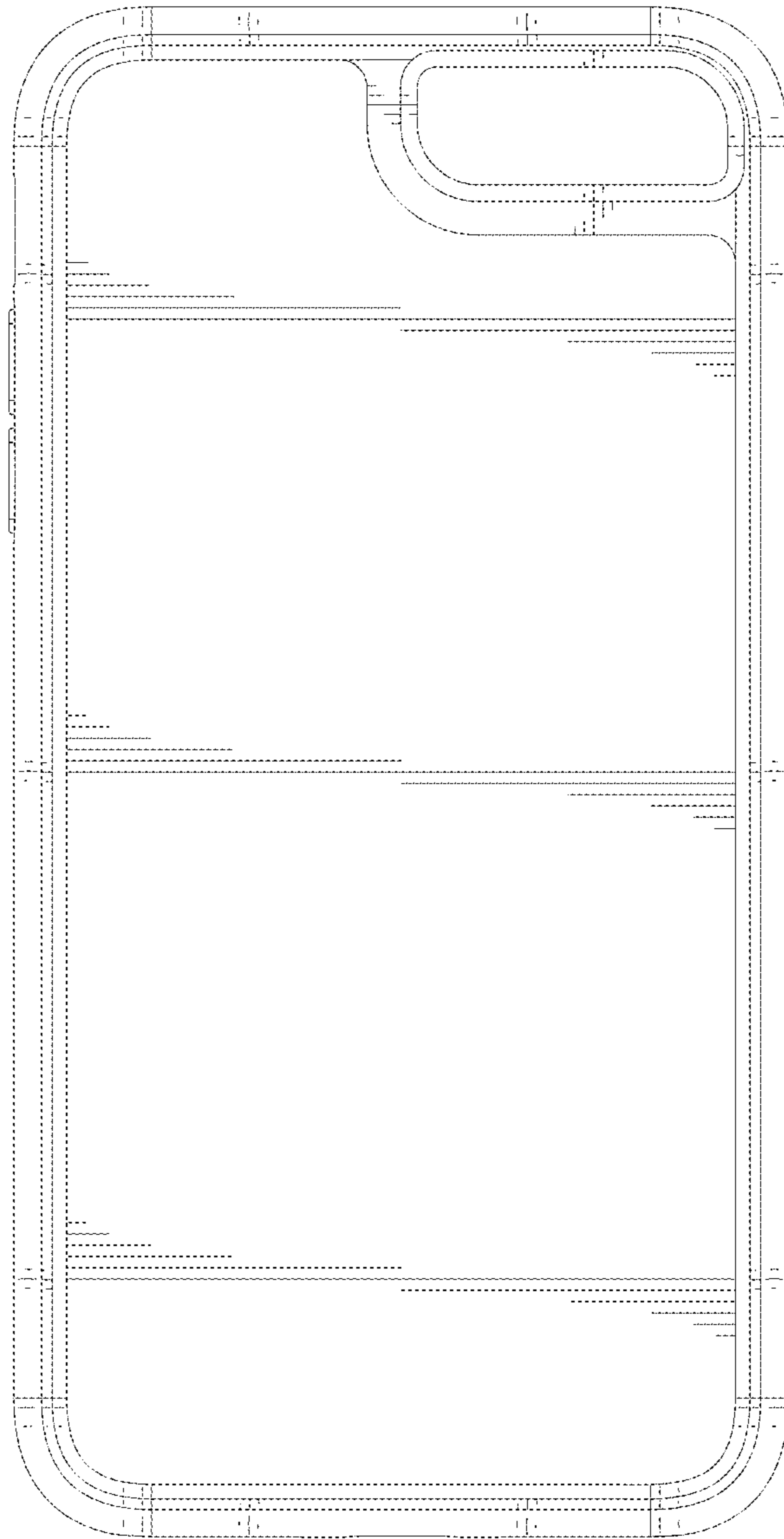


FIG.4

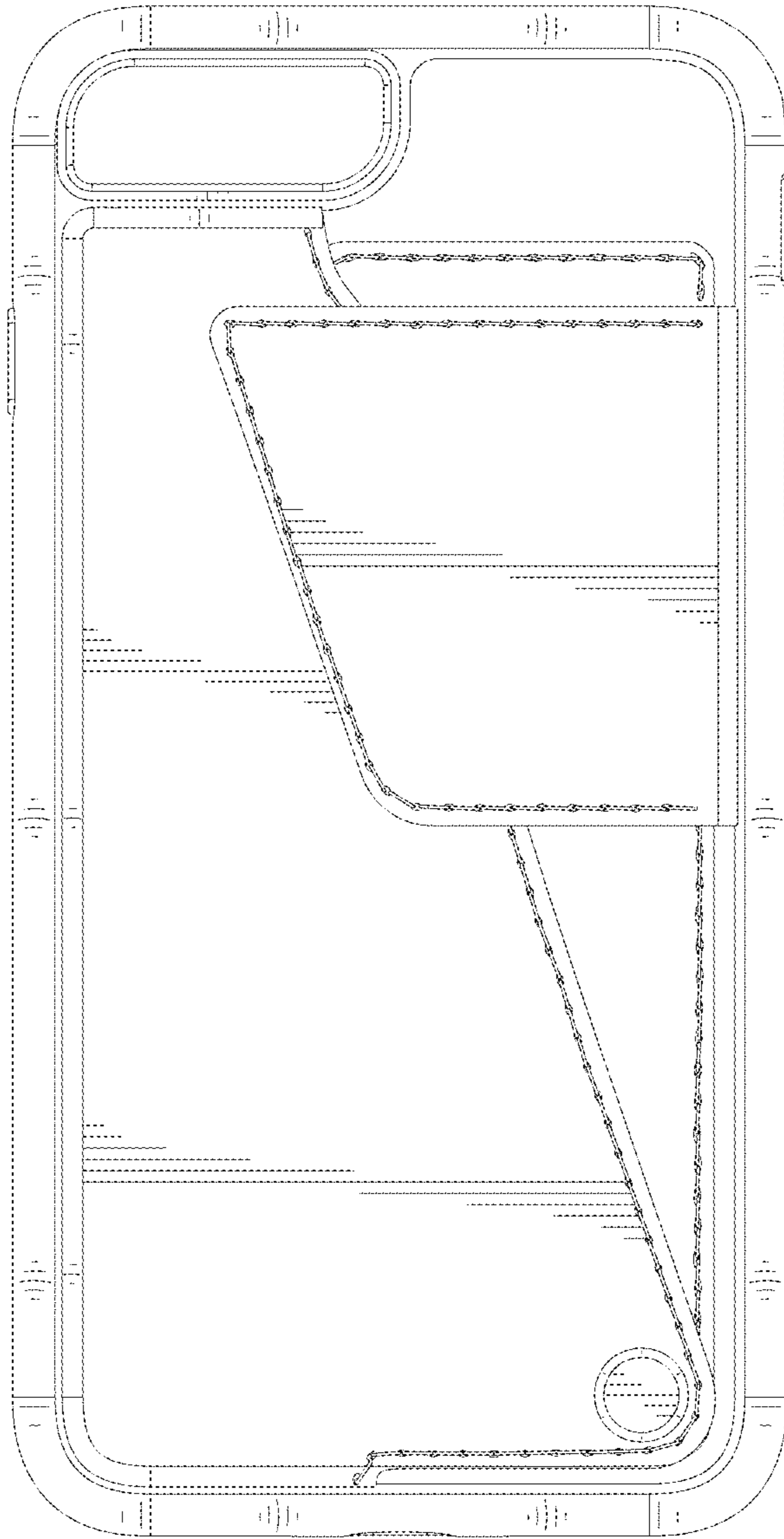


FIG.5

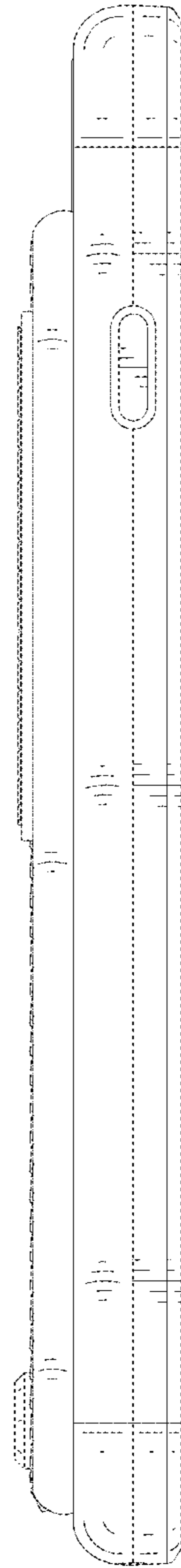


FIG.6

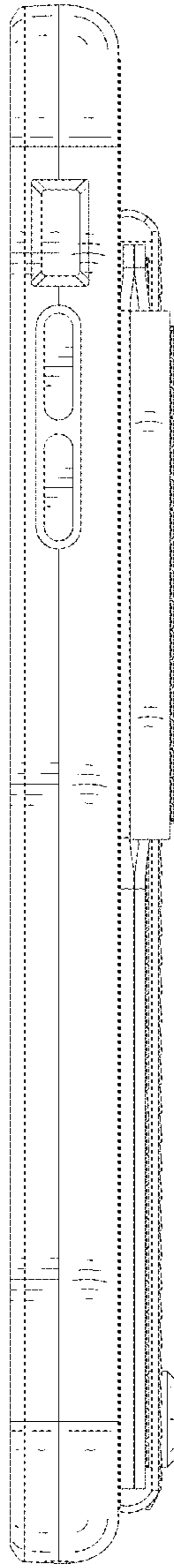


FIG.7

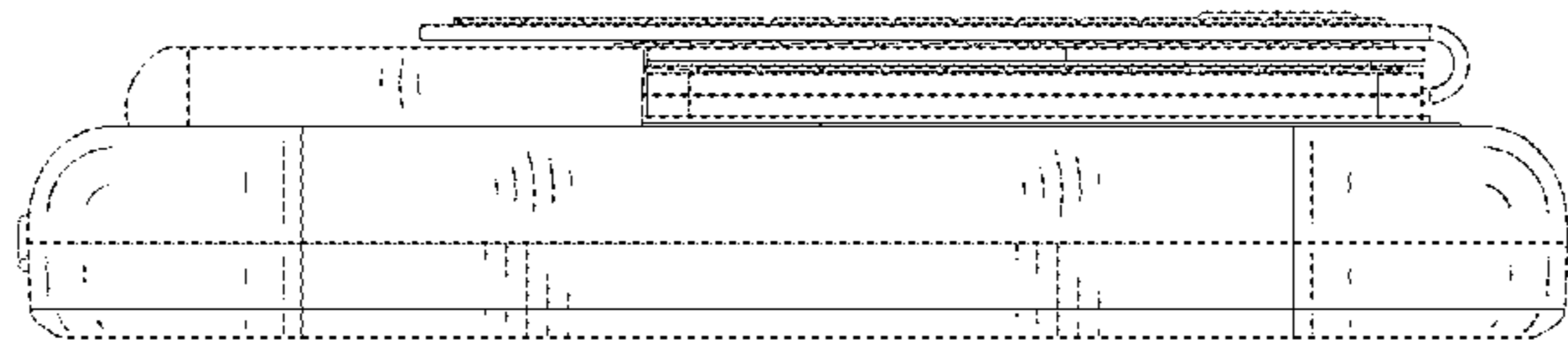


FIG.8

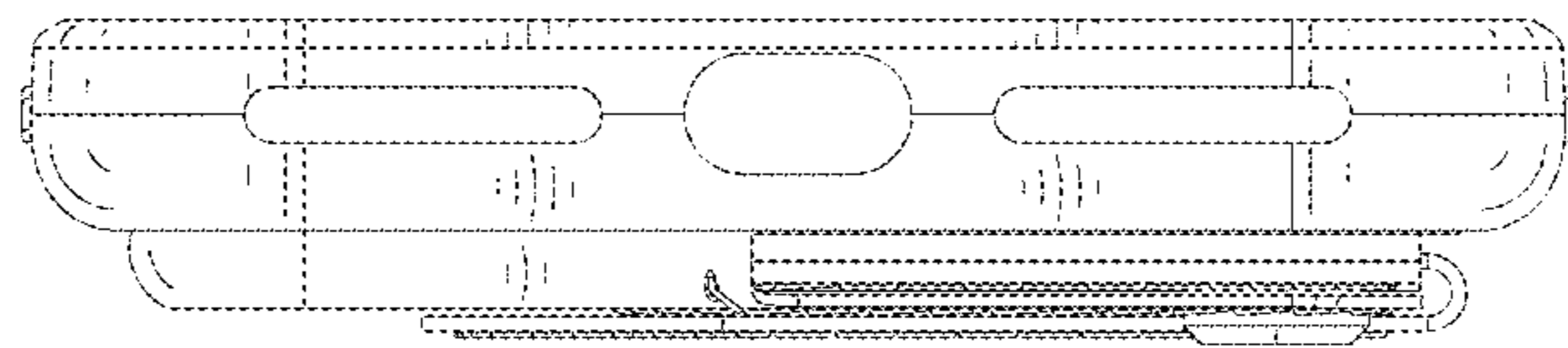


FIG.9

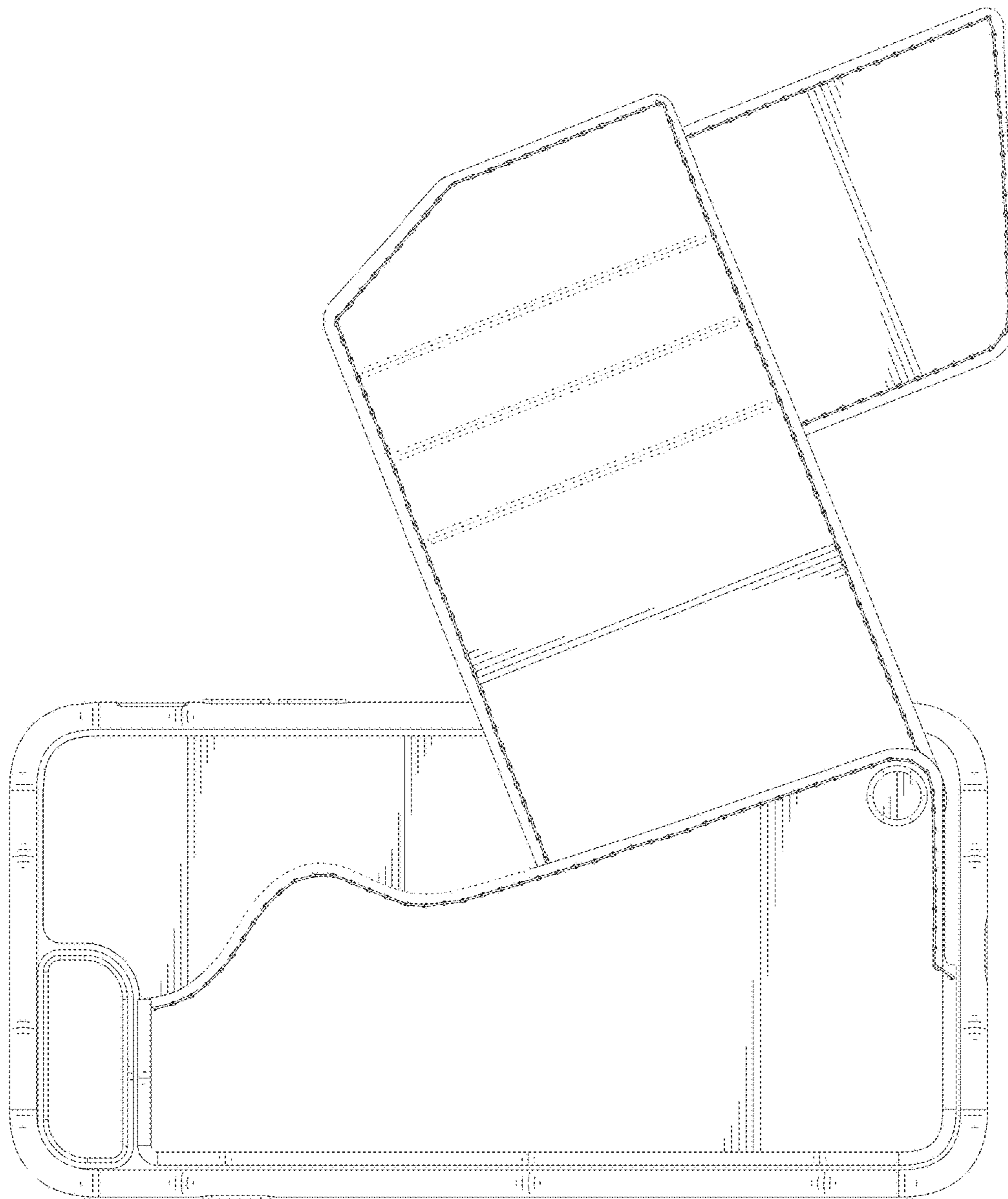


FIG.10