



US00D830350S

(12) **United States Design Patent** (10) **Patent No.:** **US D830,350 S**  
**Forster** (45) **Date of Patent:** **\*\* \*Oct. 9, 2018**

(54) **ANTENNA DESIGN**

(71) Applicant: **Avery Dennison Retail Information Services, LLC**, Westborough, MA (US)

(72) Inventor: **Ian J. Forster**, Chelmsford (GB)

(73) Assignee: **AVERY DENNISON RETAIL INFORMATION SERVICES, LLC**, Mentor, OH (US)

(\*) Notice: This patent is subject to a terminal disclaimer.

(\*\*) Term: **15 Years**

(21) Appl. No.: **29/576,055**

(22) Filed: **Aug. 31, 2016**

(51) **LOC (11) Cl.** ..... **14-03**

(52) **U.S. Cl.**  
USPC ..... **D14/230**

(58) **Field of Classification Search**  
USPC ..... D5/15, 25, 29; D12/42, 43; D14/138, D14/230-238.1, 299, 358

CPC ..... H01Q 7/00; H01Q 13/10; H01L 33/486; H01L 23/02; H05K 5/00; F16L 3/2235; F16L 3/227; Y10T 403/7141

See application file for complete search history.

(56) **References Cited**

U.S. PATENT DOCUMENTS

5,791,654 A *	8/1998	Gaines .....	H05K 9/0015 174/357
D637,898 S *	5/2011	Tedesco .....	D8/380
D654,355 S *	2/2012	Cheng .....	D11/200
D657,658 S *	4/2012	Jones .....	D8/354
D733,531 S *	7/2015	Tonthat .....	D8/354
D736,074 S *	8/2015	Soliman .....	D8/394
D771,601 S *	11/2016	Chen .....	D14/230
D787,483 S *	5/2017	Forster .....	D14/230
D787,484 S *	5/2017	Forster .....	D14/230

\* cited by examiner

*Primary Examiner* — Mark Alan Goodwin

*Assistant Examiner* — Benjamin M Weeks

(74) *Attorney, Agent, or Firm* — Avery Dennison Retail Information Services, LLC

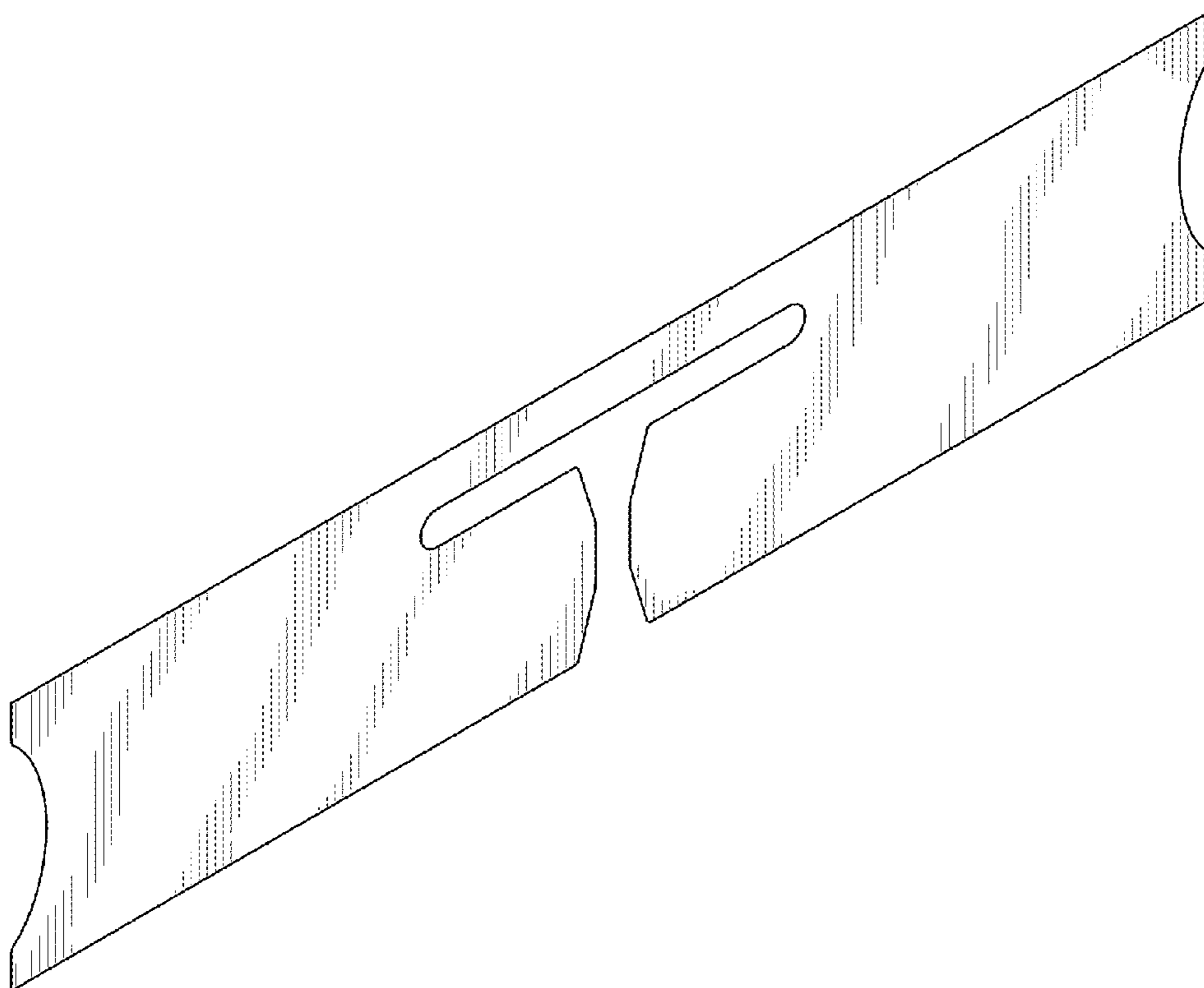
(57) **CLAIM**

The ornamental design for an antenna, as shown and described.

**DESCRIPTION**

FIG. 1 is an isometric view of the new antenna design; and, FIG. 2 is a top view of the new antenna design.

**1 Claim, 2 Drawing Sheets**



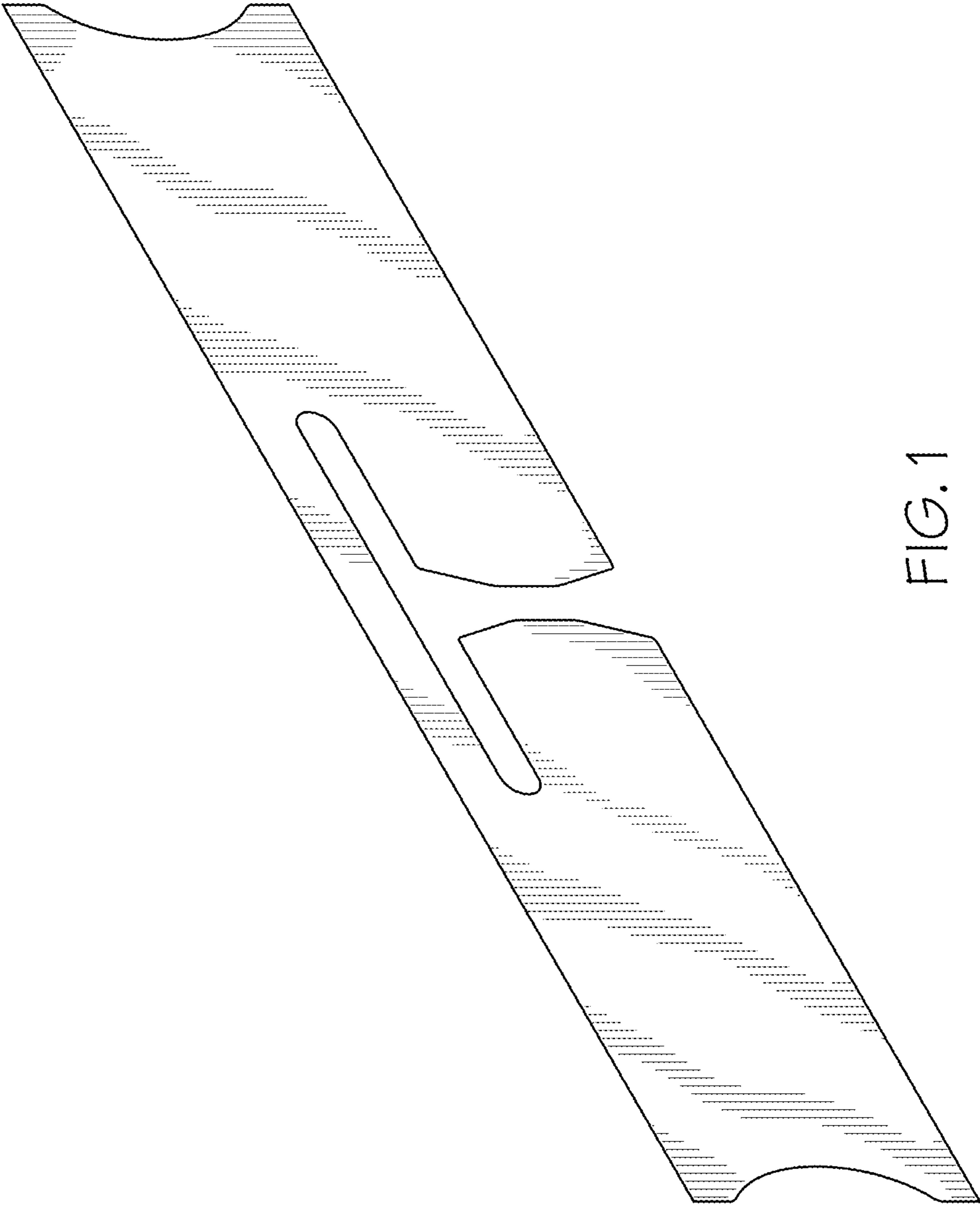


FIG. 1

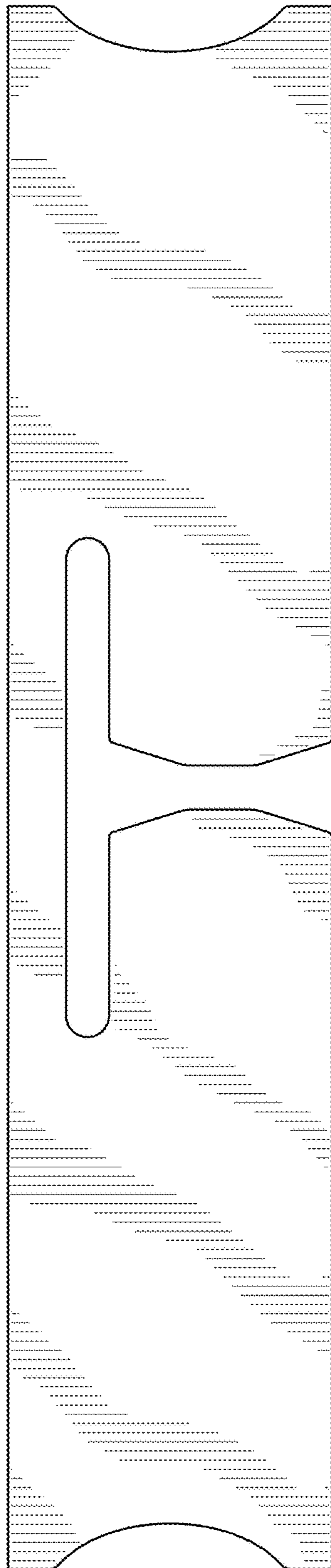


FIG. 2