



US00D830347S

(12) **United States Design Patent**  
**Puckett et al.**

(10) **Patent No.:** **US D830,347 S**  
(45) **Date of Patent:** **\*\* Oct. 9, 2018**

(54) **MICROPHONE**

(71) Applicant: **InMusic Brands, Inc.**, Cumberland, RI (US)

(72) Inventors: **Scott Puckett**, Pawtucket, RI (US);  
**Paul Jenkins**, North Providence, RI (US); **Carl Barton**, Mapleville, RI (US); **Gregory Holmes**, Lincoln, RI (US); **Daniel Montecalvo**, Warren, OH (US); **John O'Donnell**, Fort Lauderdale, FL (US); **Mark Frederick**, Bristol, RI (US)

(73) Assignee: **InMusic Brands, Inc.**, Cumberland, RI (US)

(\*\*) Term: **15 Years**

(21) Appl. No.: **29/609,519**

(22) Filed: **Jun. 30, 2017**

(51) **LOC (11) Cl.** ..... **14-01**

(52) **U.S. Cl.**  
USPC ..... **D14/225; D14/205**

(58) **Field of Classification Search**  
USPC ..... D14/225, 226-229, 240, 137, 138, 188, D14/192-198, 257, 265, 155, 159, 205; D10/104.1, 106.9; D13/184, 168; 379/438; 455/569.1, 550, 187, 183, 369, 455/359, 113, 191, 374, 380, 381, 90.3, 455/575.1; 381/380, 381  
CPC ..... H04R 19/04; H04R 1/104; H04R 25/00; H04R 3/00; H04R 1/20; H04B 1/38; H04B 1/034

See application file for complete search history.

(56) **References Cited**

**U.S. PATENT DOCUMENTS**

D314,964 S \* 2/1991 Chung ..... D14/188  
D316,550 S \* 4/1991 Sogabe ..... D14/168

D332,098 S \* 12/1992 Riley ..... D14/225  
D346,804 S \* 5/1994 Tokiyama ..... D14/225  
D355,895 S \* 2/1995 Soren ..... D14/218  
D356,571 S \* 3/1995 Garmon ..... D14/225  
D381,024 S \* 7/1997 Hinzmann ..... D14/225  
D392,979 S \* 3/1998 Inukai ..... D14/228  
D398,304 S \* 9/1998 Murray ..... D14/137  
D400,540 S \* 11/1998 Cruver, IV ..... D14/228  
D420,665 S \* 2/2000 Rosenberg ..... D14/188  
D424,563 S \* 5/2000 Schmeichel ..... D14/188  
6,438,248 B1 \* 8/2002 Kamimura ..... H04M 1/05  
381/374  
D463,391 S \* 9/2002 Siokola ..... D14/155  
D472,233 S \* 3/2003 Hovanky ..... D14/225  
D480,389 S \* 10/2003 Schulz ..... D14/240  
D483,281 S \* 12/2003 Cobigo ..... D10/104.1  
6,682,043 B1 \* 1/2004 Hsieh ..... H04R 1/083  
248/618  
D487,261 S \* 3/2004 Cors ..... D13/184

(Continued)

*Primary Examiner* — Paula Allen Greene

(74) *Attorney, Agent, or Firm* — Barlow, Josephs & Holmes, Ltd.

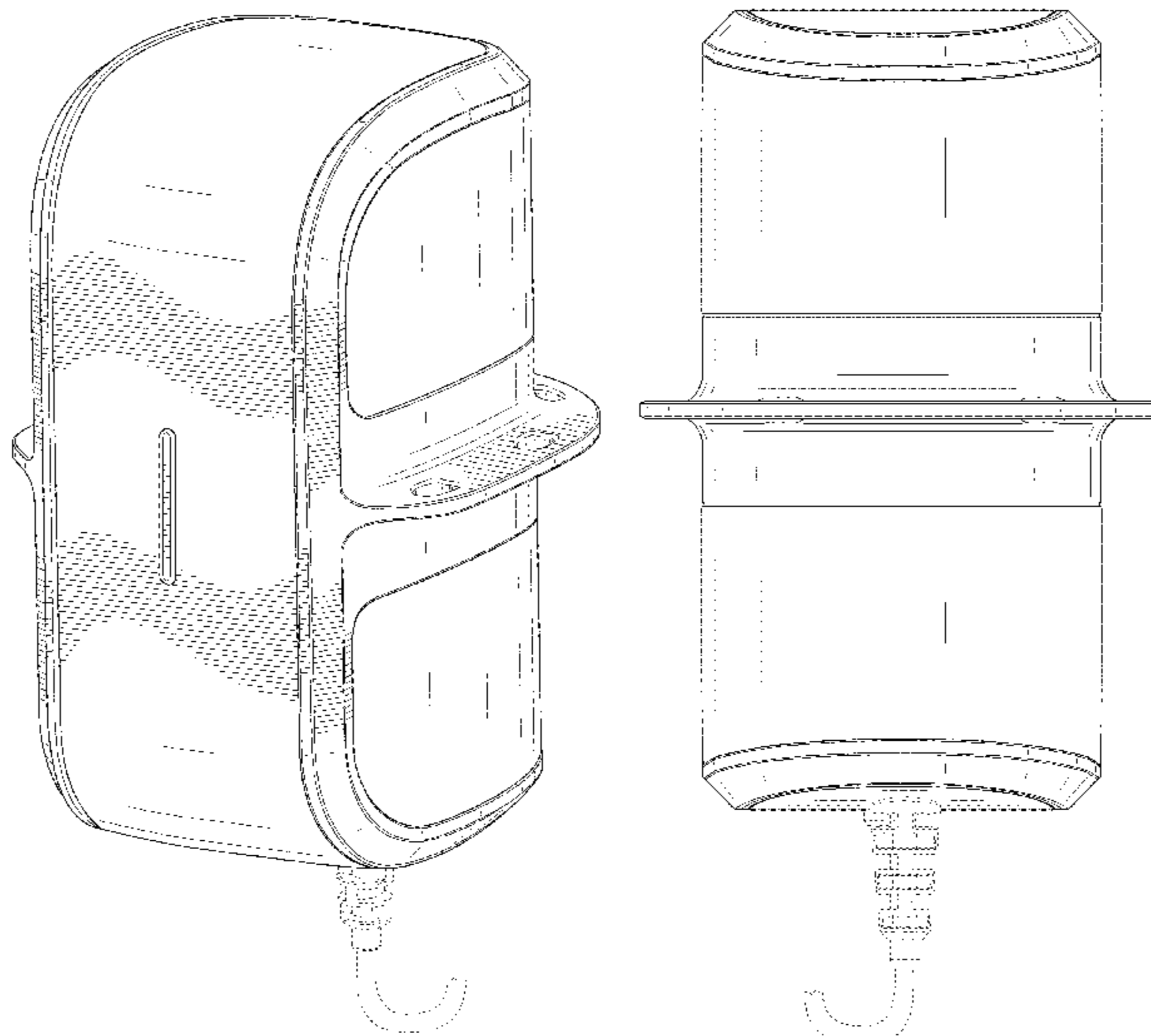
(57) **CLAIM**

The ornamental design for a microphone, as shown and described.

**DESCRIPTION**

FIG. 1 is a front perspective view of a microphone showing our new design;  
FIG. 2 is a front elevational view thereof;  
FIG. 3 is a rear elevational view thereof;  
FIG. 4 is a left elevational view thereof;  
FIG. 5 is a right elevational view thereof;  
FIG. 6 is a top view thereof; and,  
FIG. 7 is a bottom view thereof.  
The broken lines showing are for the purposes of illustrating the environment of the article only and form no part of the claimed design.

**1 Claim, 7 Drawing Sheets**





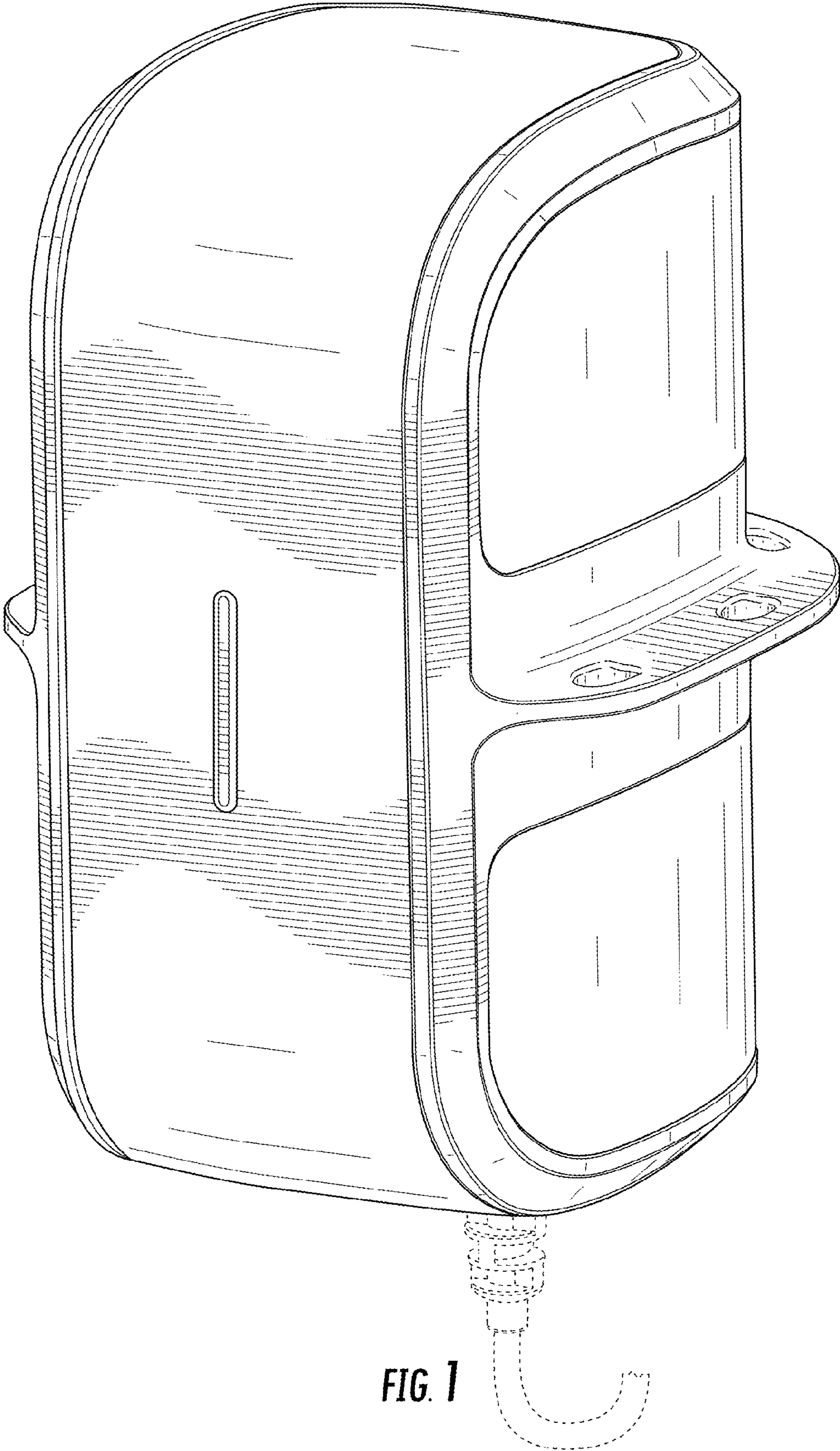


FIG. 1



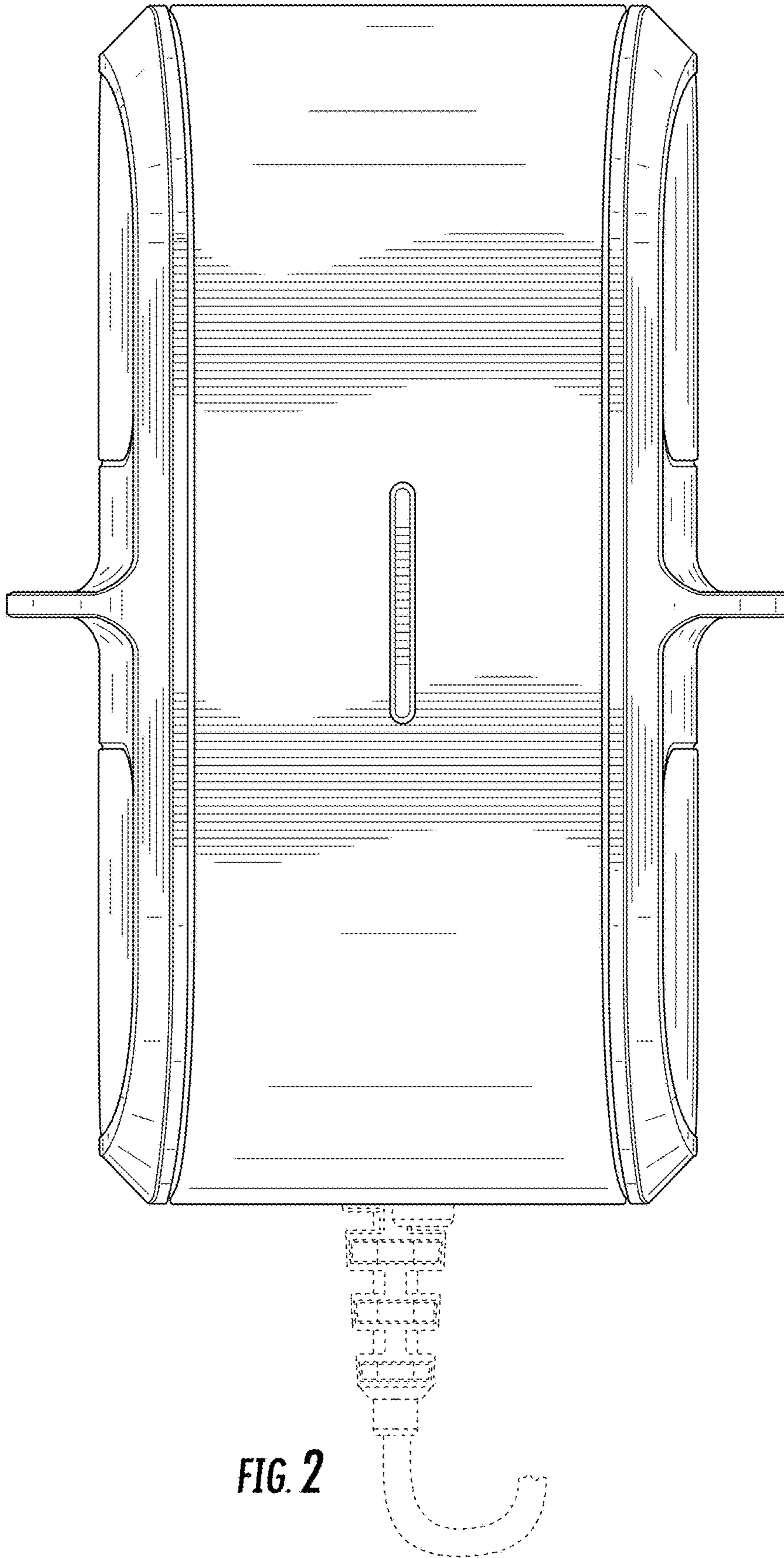


FIG. 2

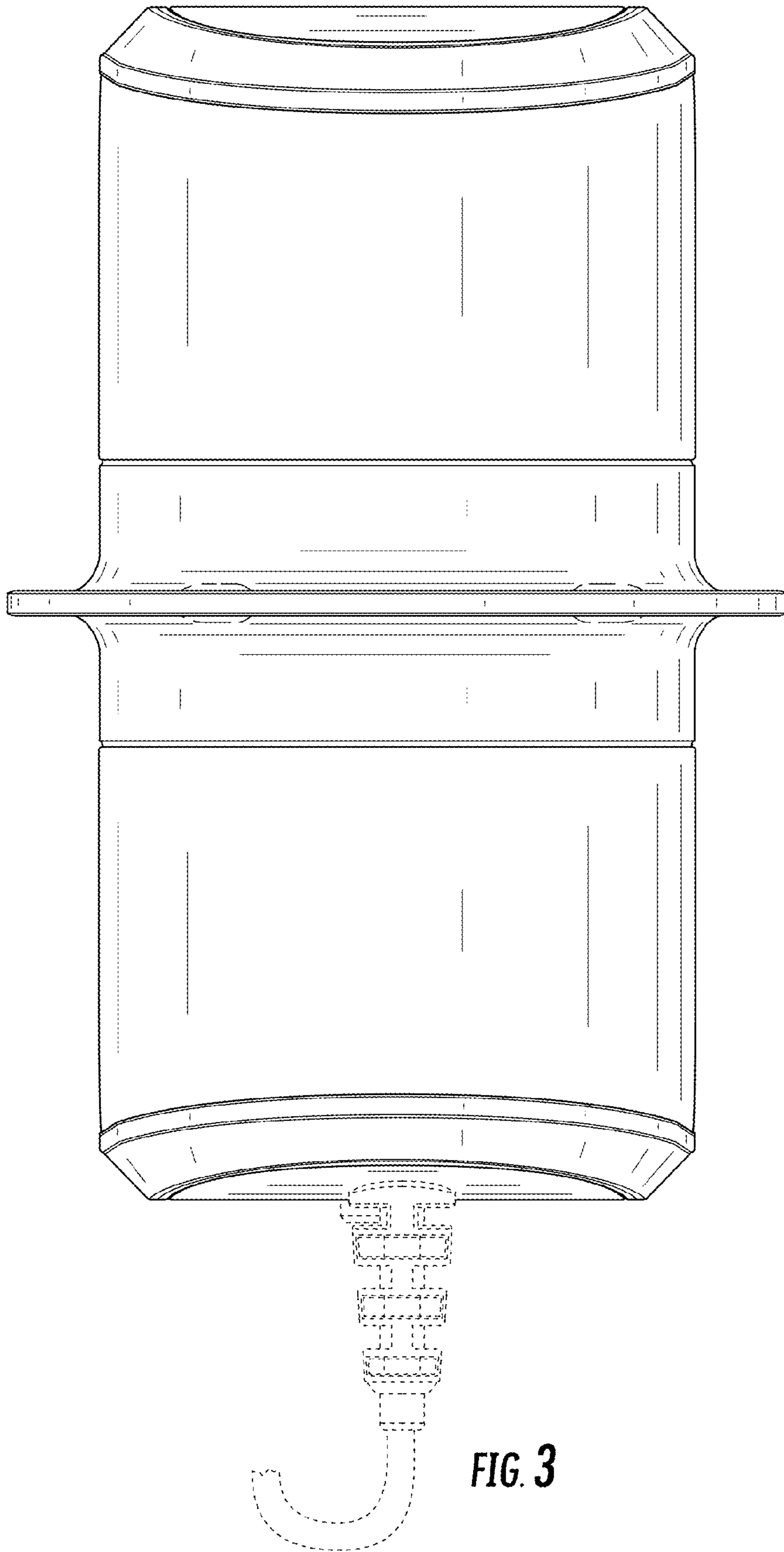


FIG. 3

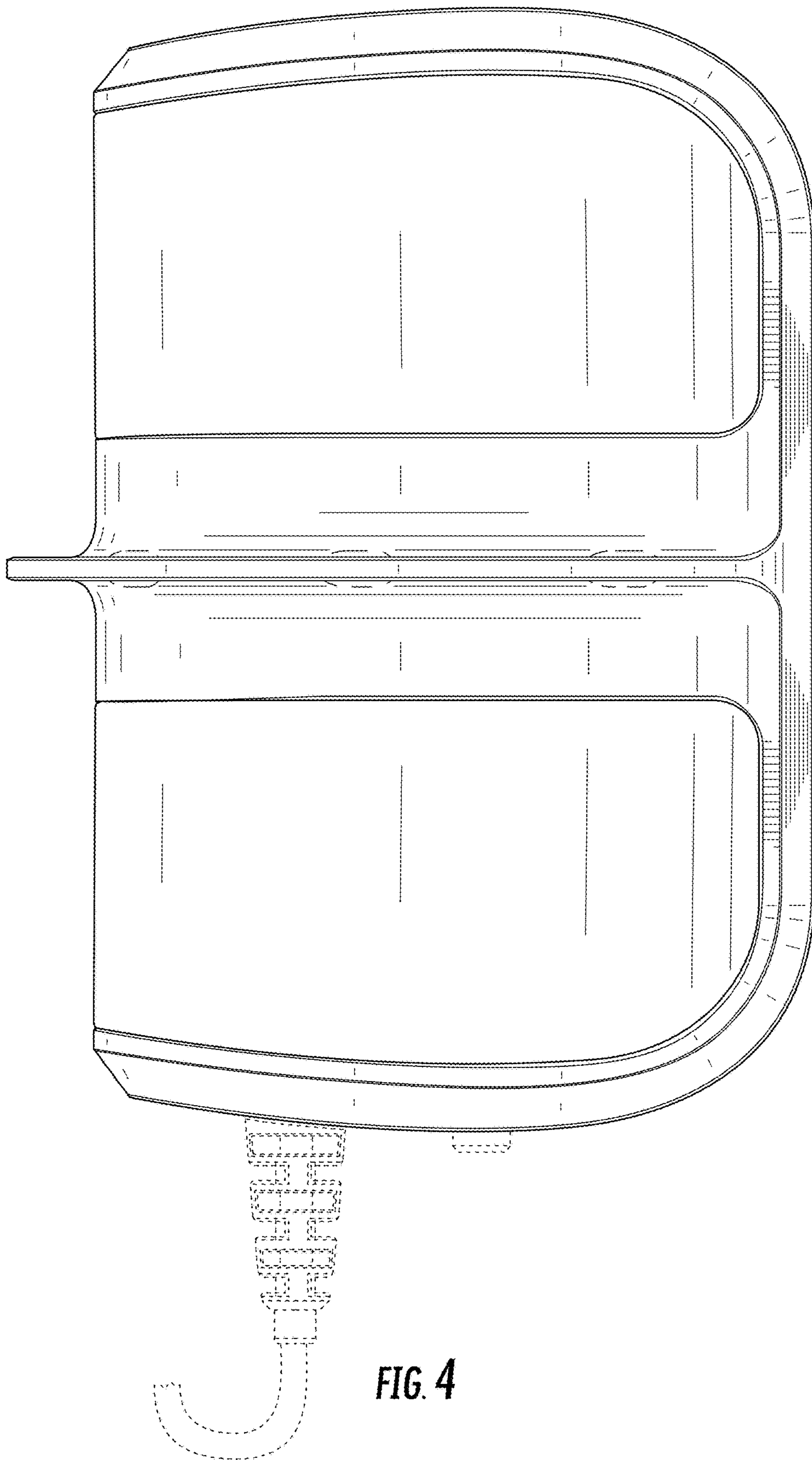


FIG. 4

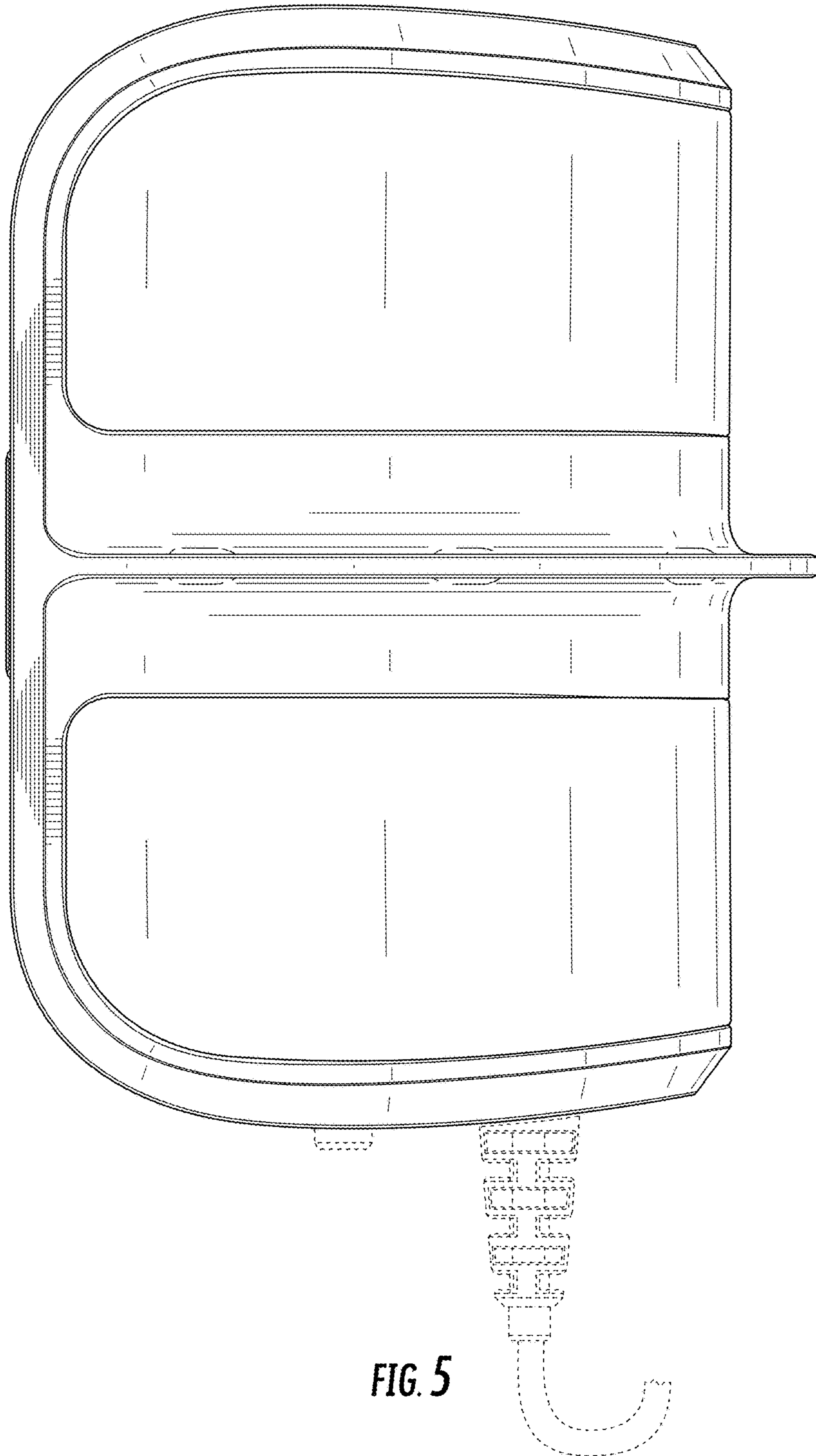
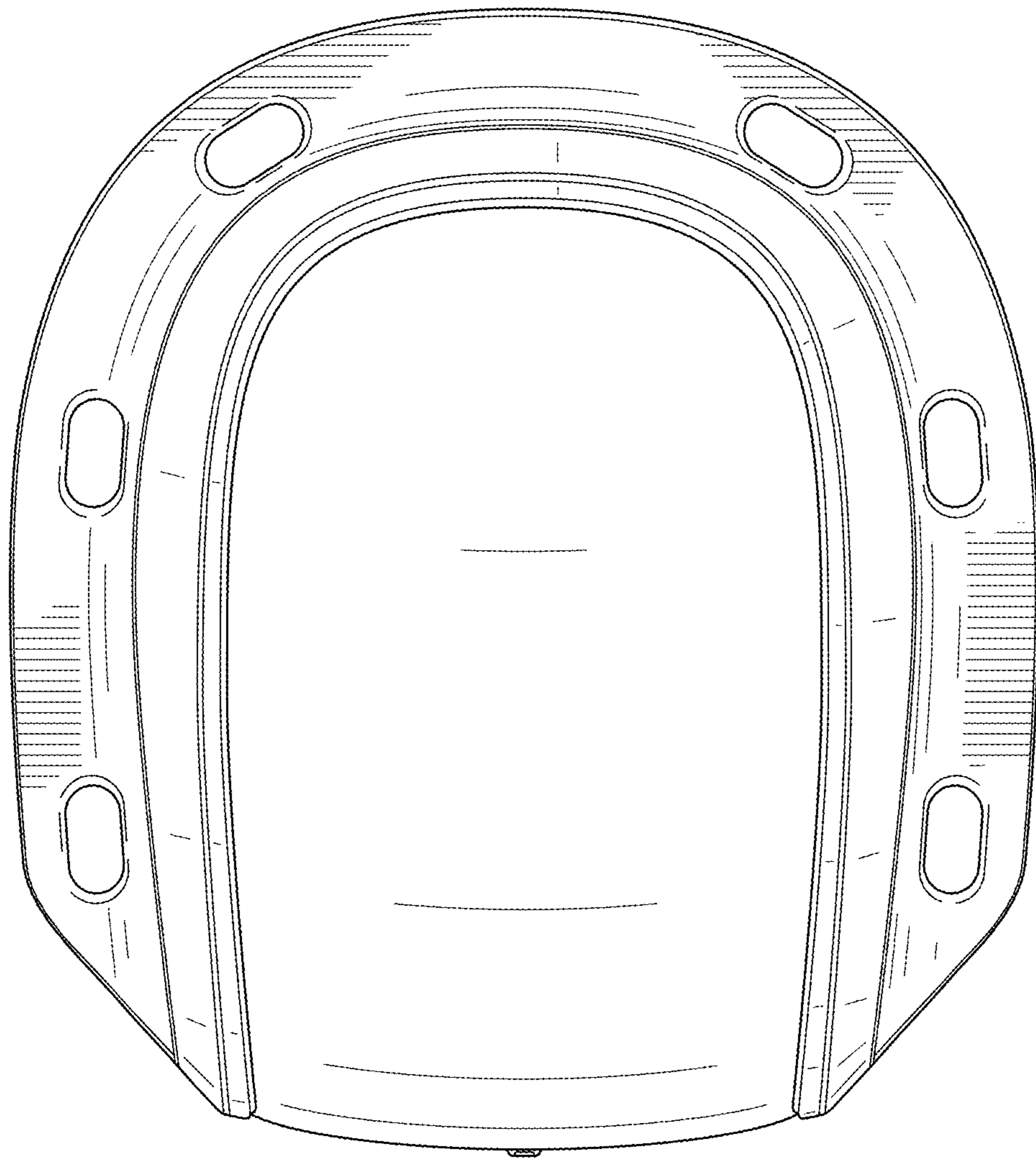
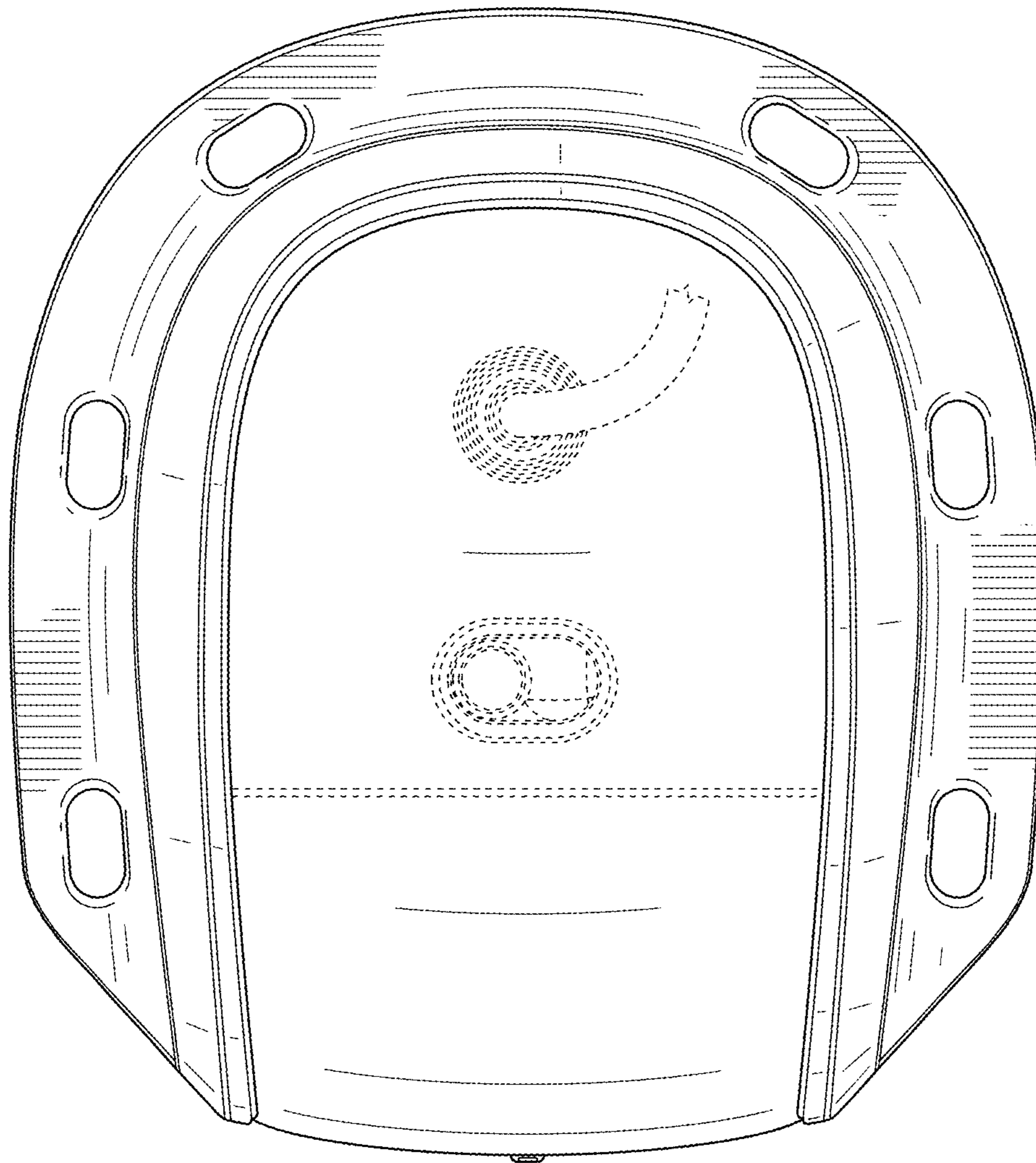


FIG. 5



**FIG. 6**





**FIG. 7**