



US00D830346S

(12) **United States Design Patent**
Chen

(10) **Patent No.:** **US D830,346 S**

(45) **Date of Patent:** **** Oct. 9, 2018**

- (54) **TELEPHONE TYPE COMPUTER MICROPHONE**
- (71) Applicant: **Ching-Wen Chen**, Taipei (TW)
- (72) Inventor: **Ching-Wen Chen**, Taipei (TW)
- (**) Term: **15 Years**
- (21) Appl. No.: **29/604,085**
- (22) Filed: **May 15, 2017**
- (51) **LOC (11) Cl.** **14-01**
- (52) **U.S. Cl.**
USPC **D14/225**
- (58) **Field of Classification Search**
USPC D14/225-228, 248, 149, 249, 167, 253,
D14/148, 218, 192, 130, 251, 400, 259,
D14/205, 223; D21/516; 181/143, 146,
181/158, 242, 153, 199; 379/185, 187,
379/420.04, 428.01, 432, 433.01, 433.03,
379/433.06, 442; 381/91, 92, 163, 122,
381/355, 356; 455/92, 95, 569.1, 575.1
CPC ... H04R 1/02; H04R 3/00; H04R 1/08; H04R
1/104; H04R 9/08; H04R 25/00; H04R
25/65
See application file for complete search history.

(56) **References Cited**

U.S. PATENT DOCUMENTS

D164,869 S *	10/1951	Lapteff	D14/225
2,611,037 A *	9/1952	Napoli, Jr.	G11B 15/02 200/293.1
D168,665 S *	1/1953	Whyte	D14/225
2,699,473 A *	1/1955	Kettler	H04R 1/38 181/158
D185,964 S *	8/1959	Barsumian	D14/225
D186,603 S *	11/1959	Jahn	D14/227
D187,987 S *	5/1960	Kellog	D14/225
3,020,346 A *	2/1962	Bonanno	A63H 19/24 381/122

3,219,765 A *	11/1965	Pless	H04R 1/08 174/135
3,222,463 A *	12/1965	Gorike	H04R 1/22 381/163
D206,879 S *	2/1967	Ota	D14/225
D220,497 S *	4/1971	Egli	D14/225
D236,355 S *	8/1975	Yang	D14/225
D239,290 S *	3/1976	Saito	D14/225
D241,854 S *	10/1976	Noyes	D14/225
D244,700 S *	6/1977	Pulos	D14/225
4,199,721 A *	4/1980	Ono	H04B 1/3822 381/356
D258,282 S *	2/1981	Koseki	D14/225
D282,659 S *	2/1986	Abrams	D14/248
4,736,411 A *	4/1988	Chan	H04M 1/02 379/368
D307,907 S *	5/1990	Siddoway	D14/225
D337,588 S *	7/1993	Cruz	D14/218
D352,062 S *	11/1994	Nichols	D19/26
D355,895 S *	2/1995	Soren	D14/218
D355,917 S *	2/1995	Grewe	D14/248
D372,919 S *	8/1996	Nagele	D14/248
D377,024 S *	12/1996	Andrea	D13/168

(Continued)

Primary Examiner — Paula Allen Greene

(74) *Attorney, Agent, or Firm* — Pro-Techtor International Services; Ian Oglesby

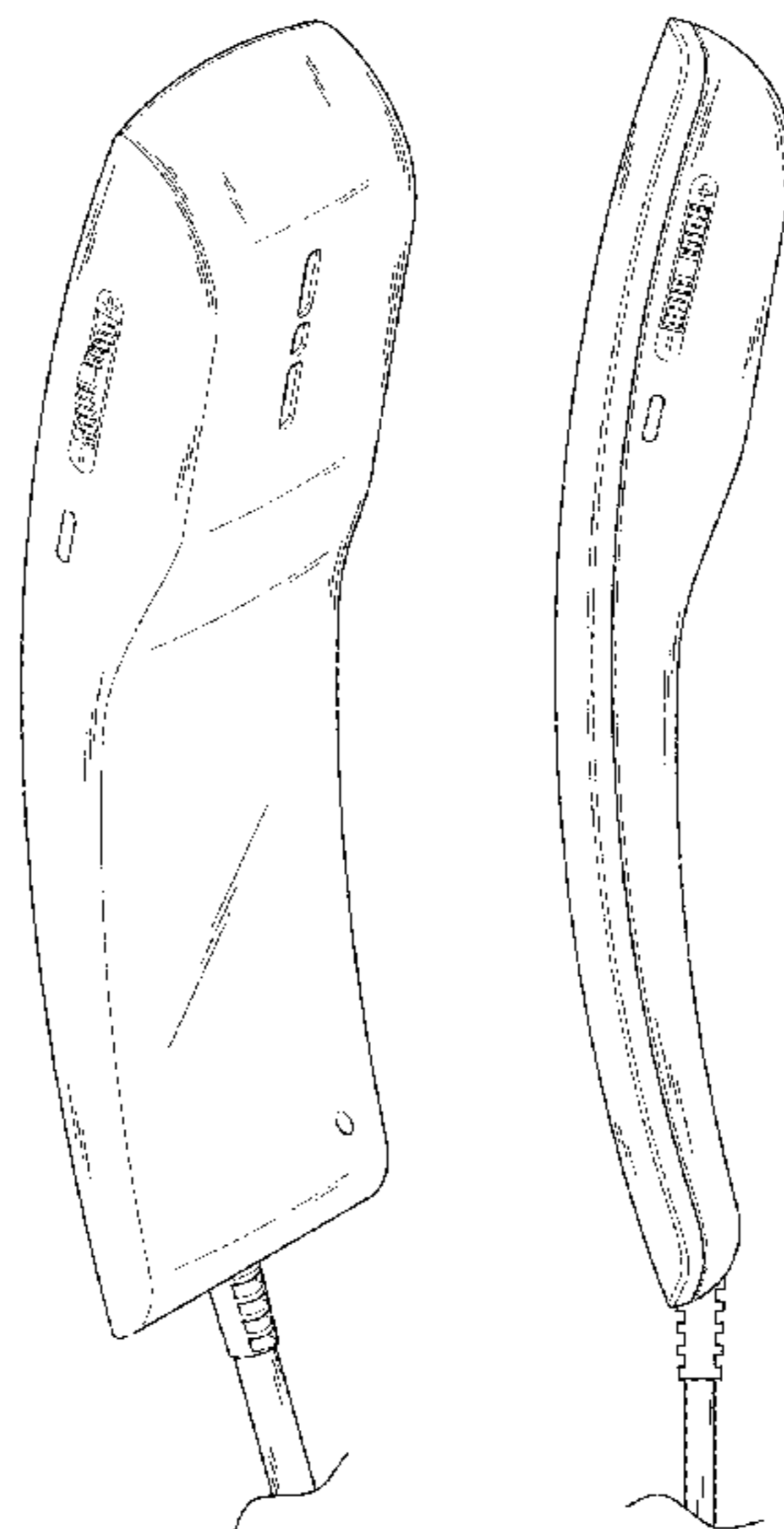
(57) **CLAIM**

The ornamental design for a telephone type computer microphone, as shown and described.

DESCRIPTION

FIG. 1 is a perspective view of telephone type computer microphone showing my new design; FIG. 2 is a front view thereof; FIG. 3 is a rear view thereof; and FIG. 4 is a left side elevational view thereof; FIG. 5 is a top elevational view thereof; and, FIG. 6 is a bottom elevational view thereof.

1 Claim, 5 Drawing Sheets



(56)

References Cited

U.S. PATENT DOCUMENTS

D388,094	S	*	12/1997	Tokiyama	D14/204
5,701,355	A	*	12/1997	Brannan	H04R 1/08 174/653
D400,540	S	*	11/1998	Cruver, IV	D14/228
D415,163	S	*	10/1999	Chen	D14/228
D447,131	S	*	8/2001	Hough	D14/228
D448,019	S	*	9/2001	Cebe	D14/225
D459,718	S	*	7/2002	Ma	D14/225
D465,477	S	*	11/2002	Beraut	D14/218
D503,398	S	*	3/2005	Haase	D14/225
D506,740	S	*	6/2005	Ashfield	D14/167
D516,546	S	*	3/2006	Sobol	D14/228
D533,542	S	*	12/2006	Suzuki	D14/218
D605,637	S	*	12/2009	Sank	D14/225
D620,482	S	*	7/2010	Chen	D14/225
D622,708	S	*	8/2010	Gentner	D14/225
D653,247	S	*	1/2012	Jones	D14/248
D736,756	S	*	8/2015	Ju	D14/248
D780,719	S	*	3/2017	Gassner	D14/218
D791,107	S	*	7/2017	Goltche	D14/225
D796,484	S	*	9/2017	Chen	D14/218

* cited by examiner

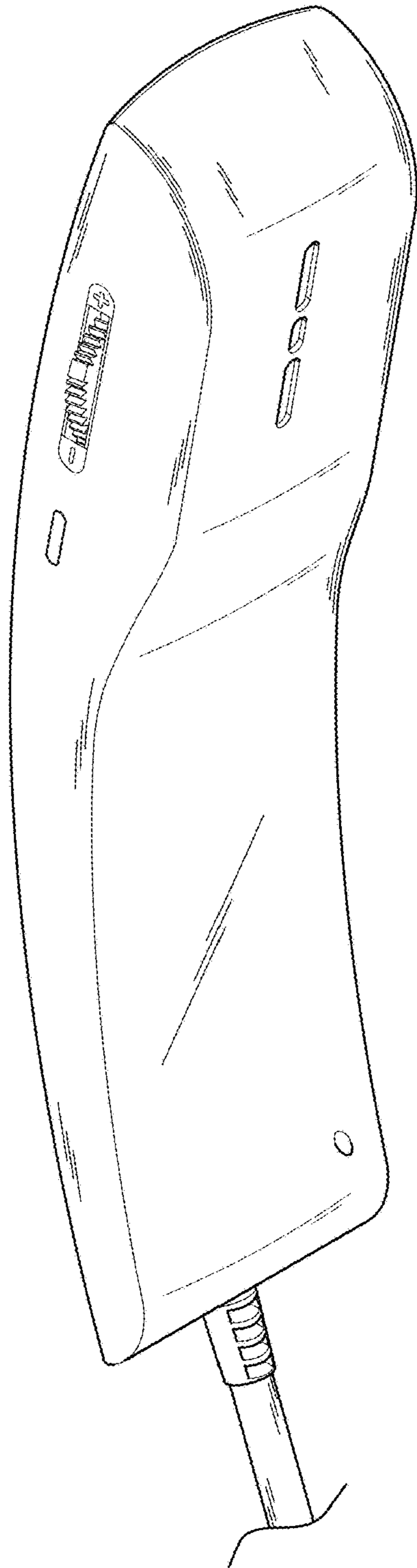


Fig.1

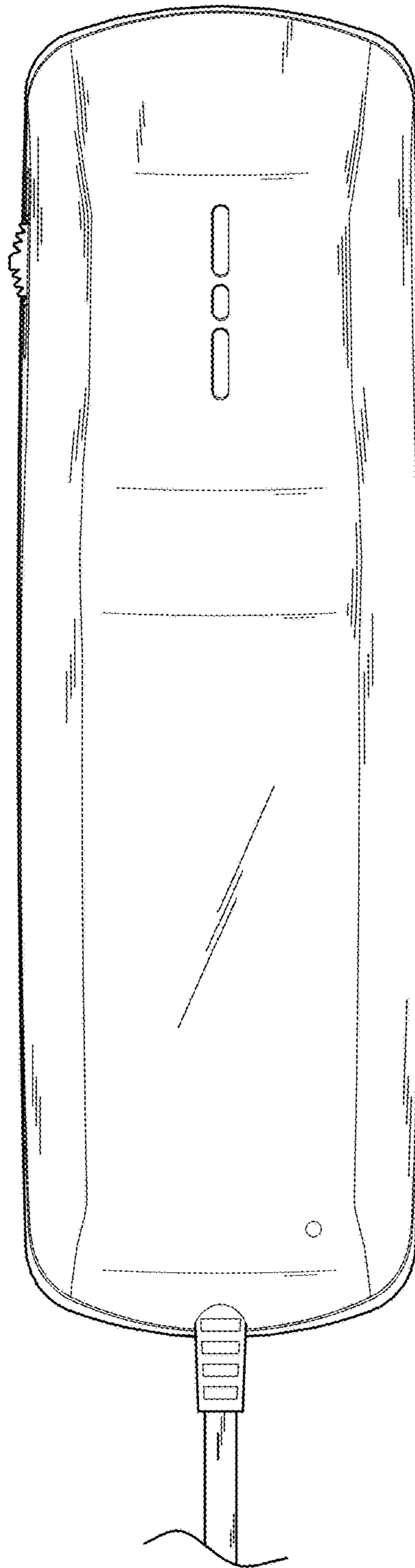


Fig.2

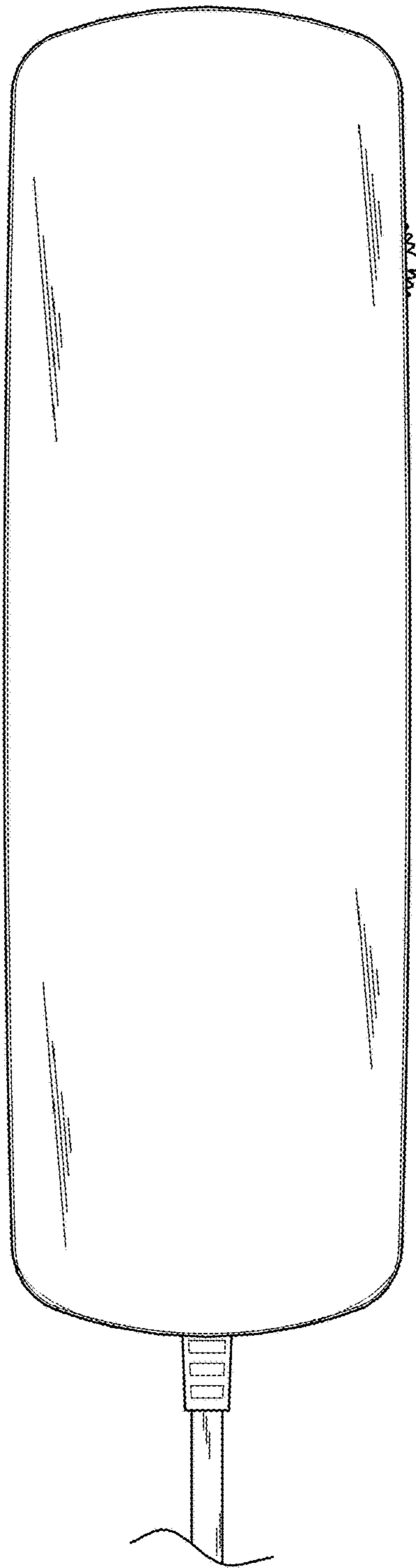


Fig.3

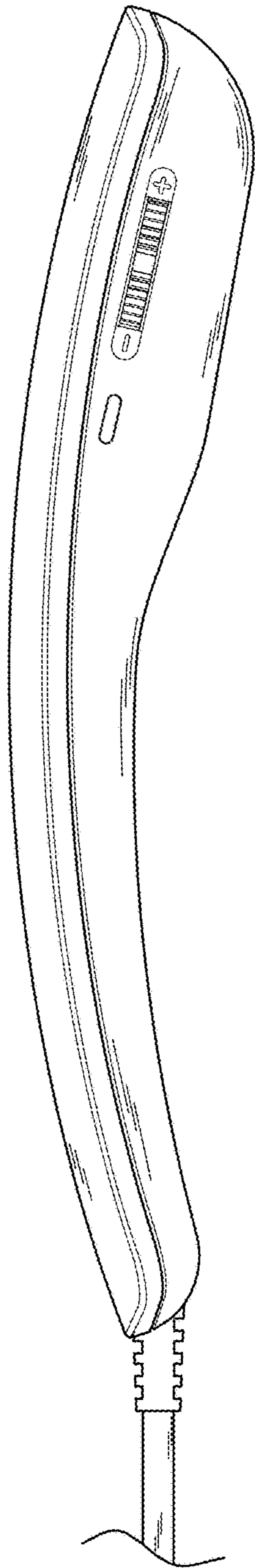


Fig.4

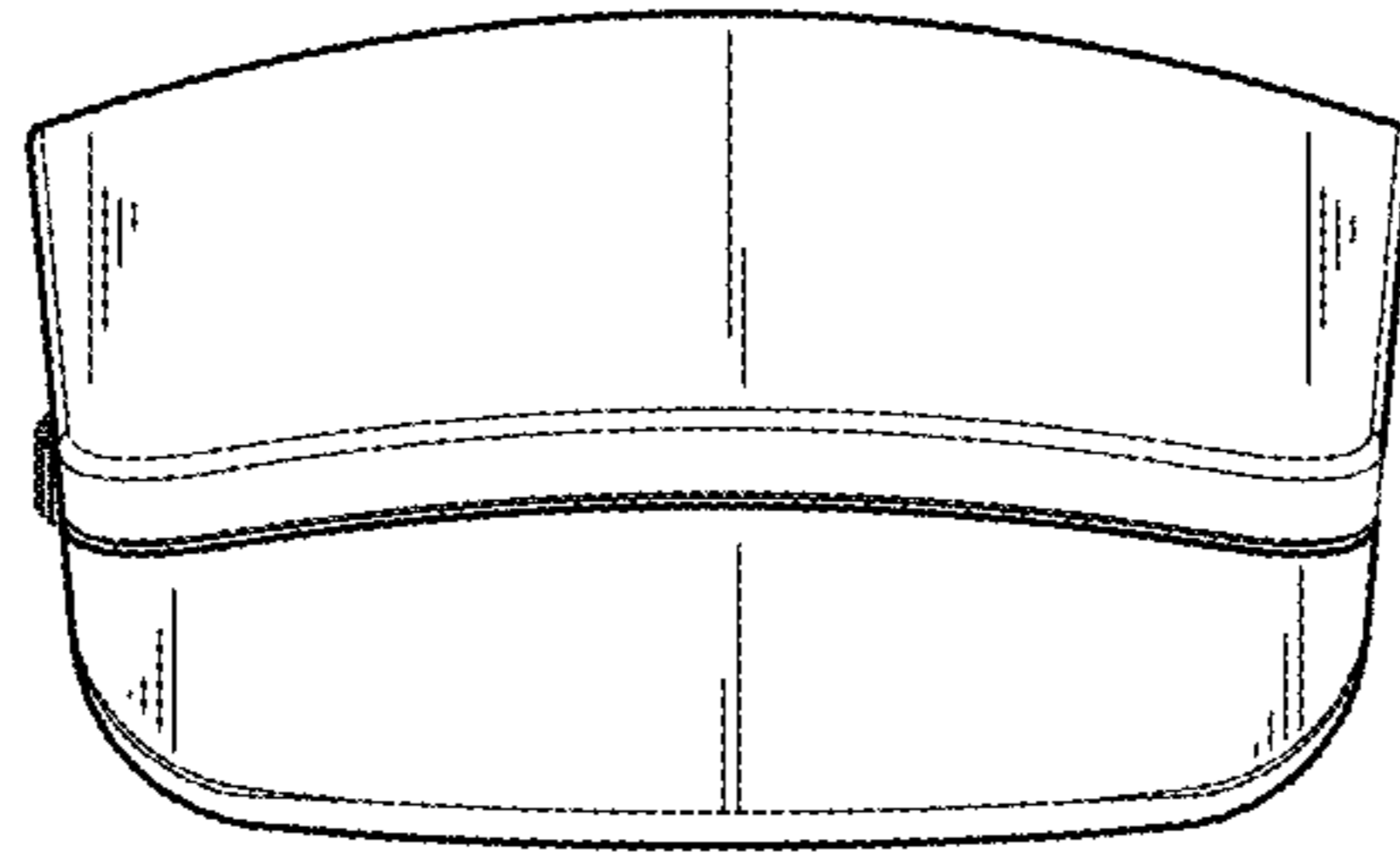


Fig.5

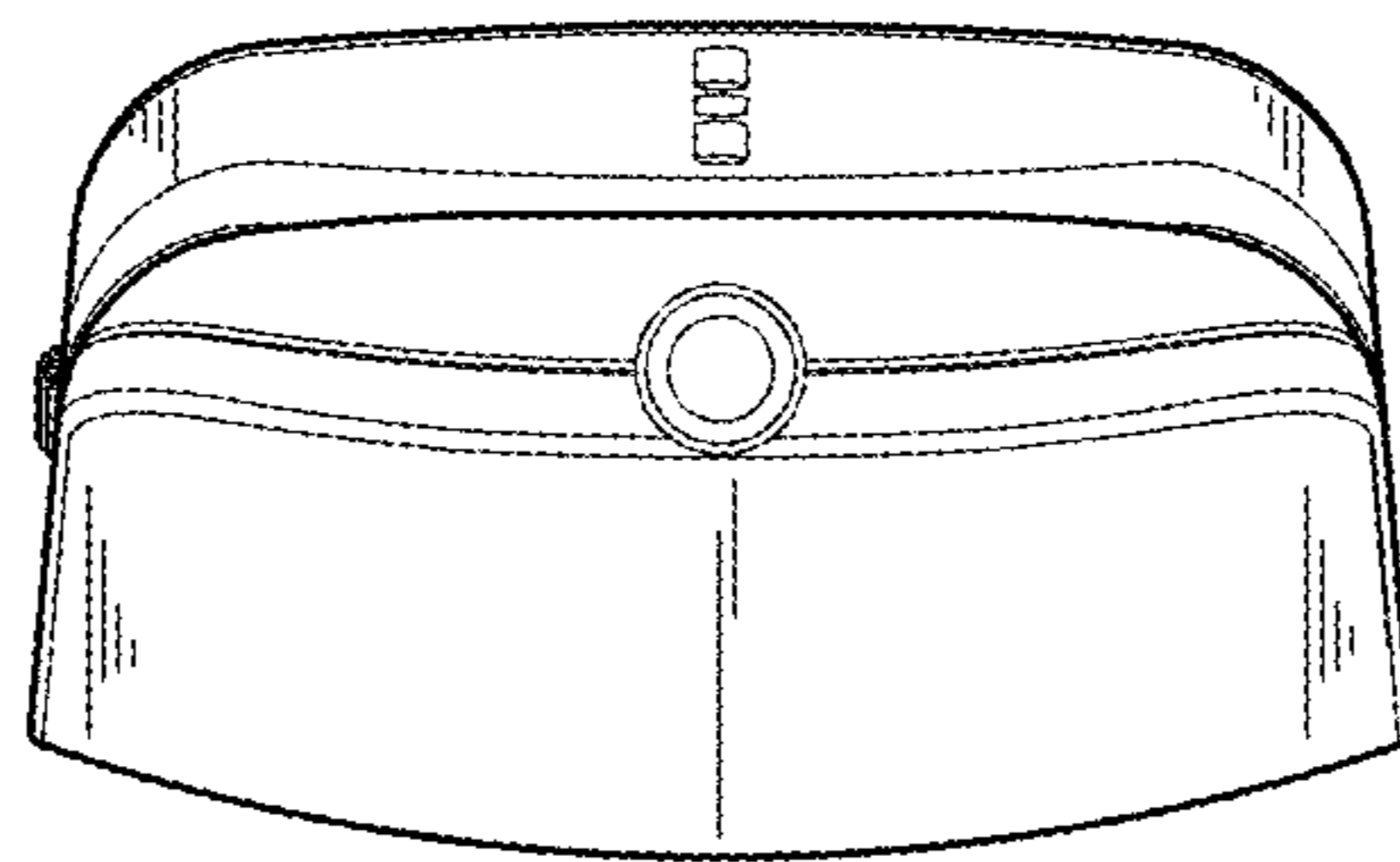


Fig.6