



US00D830345S

(12) **United States Design Patent** (10) **Patent No.:** **US D830,345 S**
Cai (45) **Date of Patent:** **** Oct. 9, 2018**

(54) **EARPHONE**
(71) Applicant: **Hejin Cai**, Guangdong (CN)
(72) Inventor: **Hejin Cai**, Guangdong (CN)
(**) Term: **15 Years**
(21) Appl. No.: **29/645,503**
(22) Filed: **Apr. 26, 2018**
(51) **LOC (11) Cl.** **14-01**
(52) **U.S. Cl.**
USPC **D14/223**
(58) **Field of Classification Search**
USPC D14/223, 205; D24/174; 181/129, 130,
181/135; 379/430, 431; 381/380, 381,
381/374, 74; 455/90.3, 575.1, 569.1
CPC H04R 1/10; H04R 25/00; H04R 25/02;
H04R 1/105; H04R 1/1016; H04R
1/1066; H04R 1/20
See application file for complete search history.

(56) **References Cited**

U.S. PATENT DOCUMENTS

4,672,672 A * 6/1987 Eggert H04R 25/60
381/321
4,736,430 A * 4/1988 Schroder H04R 25/656
381/322
4,965,838 A * 10/1990 Kamon H04R 1/1016
381/322
5,420,935 A * 5/1995 Shinohara H04R 1/1016
379/431
6,122,369 A * 9/2000 Hwang H04M 1/6058
379/420.03
D463,789 S * 10/2002 DeKalb D14/223
D469,753 S * 2/2003 Andre D14/205
6,690,807 B1 * 2/2004 Meyer G02C 5/143
2/12
D488,460 S * 4/2004 Alwicker D14/223
6,731,772 B1 * 5/2004 Byun H04R 1/12
181/130
D499,397 S * 12/2004 Hlas D14/223

D505,132 S * 5/2005 Linville D14/223
D506,744 S * 6/2005 Andre D14/205
D515,070 S * 2/2006 Andre D14/205
D518,008 S * 3/2006 Peng D14/129
D523,846 S * 6/2006 Lee D14/205
D533,868 S * 12/2006 Koizumi D14/223
D540,313 S * 4/2007 Rausch D14/225
D554,109 S * 10/2007 Ledbetter D14/223
D554,627 S * 11/2007 Gondo D14/223
D557,689 S * 12/2007 Huang D14/223
D566,687 S * 4/2008 Duarte D14/205
D568,291 S * 5/2008 Andre D14/205
D573,977 S * 7/2008 Ledbetter D14/205

(Continued)

FOREIGN PATENT DOCUMENTS

CN 304080999 3/2017
EM 004112118-0001 7/2017

Primary Examiner — Paula Allen Greene
(74) *Attorney, Agent, or Firm* — JCIPRNET

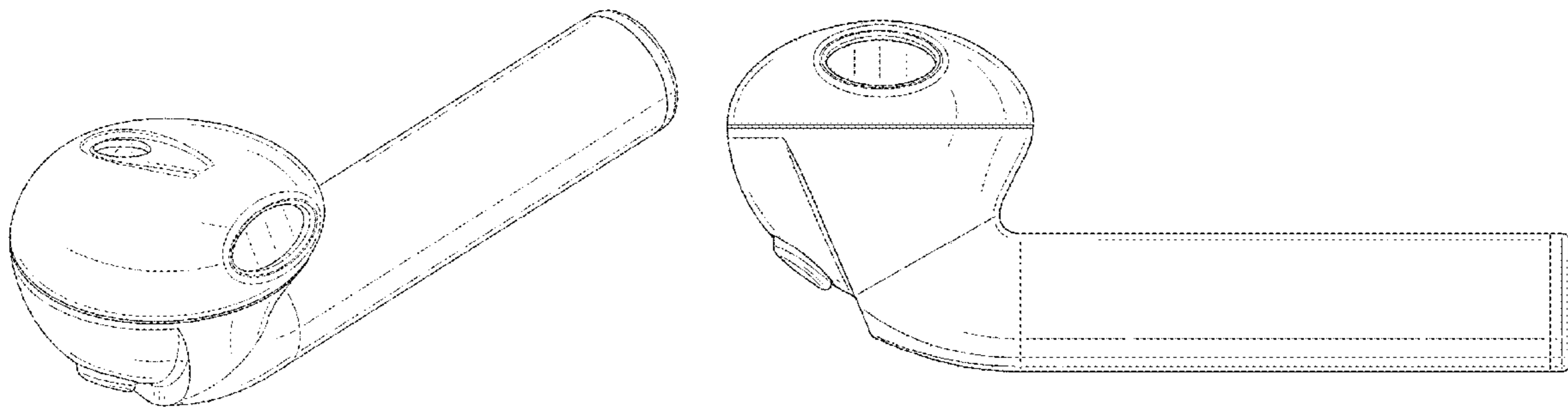
(57) **CLAIM**

The ornamental design for an earphone, as shown and described.

DESCRIPTION

FIG. 1 is a perspective view of an earphone showing my new design;
FIG. 2 is another perspective view thereof;
FIG. 3 is a front view thereof;
FIG. 4 is a rear view thereof;
FIG. 5 is a left side view thereof;
FIG. 6 is a right side view thereof;
FIG. 7 is a top view thereof; and,
FIG. 8 is a bottom view thereof.
The broken line portions of the earphone in the drawings represent unclaimed portions of the claimed design and form no part thereof.

1 Claim, 5 Drawing Sheets



(56)

References Cited

U.S. PATENT DOCUMENTS

D575,269 S * 8/2008 Ledbetter D14/205
 D578,518 S * 10/2008 Ewert D14/223
 D579,923 S * 11/2008 Andre D14/205
 D583,804 S * 12/2008 Mahler D14/223
 D587,677 S * 3/2009 Andre D14/205
 D589,491 S * 3/2009 Andre D14/205
 D589,498 S * 3/2009 Komiyama D14/223
 D590,375 S * 4/2009 Komiyama D14/223
 D593,537 S * 6/2009 Arimoto D14/205
 D596,616 S * 7/2009 Andre D14/205
 D599,330 S * 9/2009 Andre D14/223
 D601,134 S * 9/2009 Elabidi D14/223
 D616,874 S * 6/2010 Matsuoka D14/223
 D618,209 S * 6/2010 Andre D14/205
 D618,210 S * 6/2010 Andre D14/205
 D618,219 S * 6/2010 Burgett D14/223
 D622,265 S * 8/2010 Rye D14/223
 D626,948 S * 11/2010 Nault D14/223
 D627,766 S * 11/2010 Arimoto D14/223
 D628,193 S * 11/2010 Zheng D14/223
 D632,282 S * 2/2011 Kitayama D14/223
 D633,086 S * 2/2011 Chen D14/223
 D635,960 S * 4/2011 Gondo D14/223
 D639,279 S * 6/2011 Andre D14/223
 D641,738 S * 7/2011 Perez D14/223
 D652,823 S * 1/2012 Chen D14/223
 D656,481 S * 3/2012 McManigal D14/205
 D662,493 S * 6/2012 Chen D14/223
 D662,495 S * 6/2012 Andre D14/223
 D664,523 S * 7/2012 Naitou D14/223
 D666,580 S * 9/2012 Lee D14/223
 D669,058 S * 10/2012 Lee D14/223
 D669,453 S * 10/2012 Katsuraku D14/223
 D674,781 S * 1/2013 Sakata D14/223
 D675,194 S * 1/2013 Andre D14/205
 8,345,912 B2 * 1/2013 Akihiko H04R 1/105
 379/430
 D676,427 S * 2/2013 Yang D14/223

8,391,533 B2 * 3/2013 Sim H04R 1/1041
 381/380
 D681,015 S * 4/2013 Akana H04R 1/10
 D14/223
 D686,597 S * 7/2013 Lee D14/223
 D687,419 S * 8/2013 Andre D14/223
 8,515,116 B2 * 8/2013 Lee H04R 1/1041
 381/338
 D695,718 S * 12/2013 Burgett D14/223
 D695,724 S * 12/2013 Ishikura D14/223
 D696,230 S * 12/2013 Burgett D14/223
 8,800,712 B2 * 8/2014 Campbell H04R 25/652
 181/135
 8,965,030 B2 * 2/2015 Aase H04R 1/1016
 381/380
 D733,101 S * 6/2015 Pi D14/223
 D733,689 S * 7/2015 Narita D14/223
 D741,287 S * 10/2015 Harata D14/205
 D747,295 S * 1/2016 Eastwood D14/223
 D755,759 S * 5/2016 Cai D14/223
 D757,682 S * 5/2016 Perez D14/205
 D762,196 S * 7/2016 Hsieh D14/223
 D770,425 S * 11/2016 Son D14/205
 D780,157 S * 2/2017 Uggla D14/205
 D801,314 S * 10/2017 Akana D14/223
 D810,047 S * 2/2018 Tzeng D14/205
 D812,038 S * 3/2018 Nakajima D14/205
 D813,849 S * 3/2018 Andreen D14/223
 D820,809 S * 6/2018 Akana D14/205
 2012/0155692 A1 * 6/2012 Chen H04R 1/1058
 381/380
 2012/0237074 A1 * 9/2012 Aase H04R 1/1016
 381/380
 2013/0004011 A1 * 1/2013 Hayashida H04R 1/1016
 381/380
 2013/0343595 A1 * 12/2013 Zorkendorfer H04R 1/10
 381/380
 2015/0382100 A1 * 12/2015 Azmi H04R 1/1091
 381/380
 2017/0164087 A1 * 6/2017 Kurtz H04R 1/1091

* cited by examiner

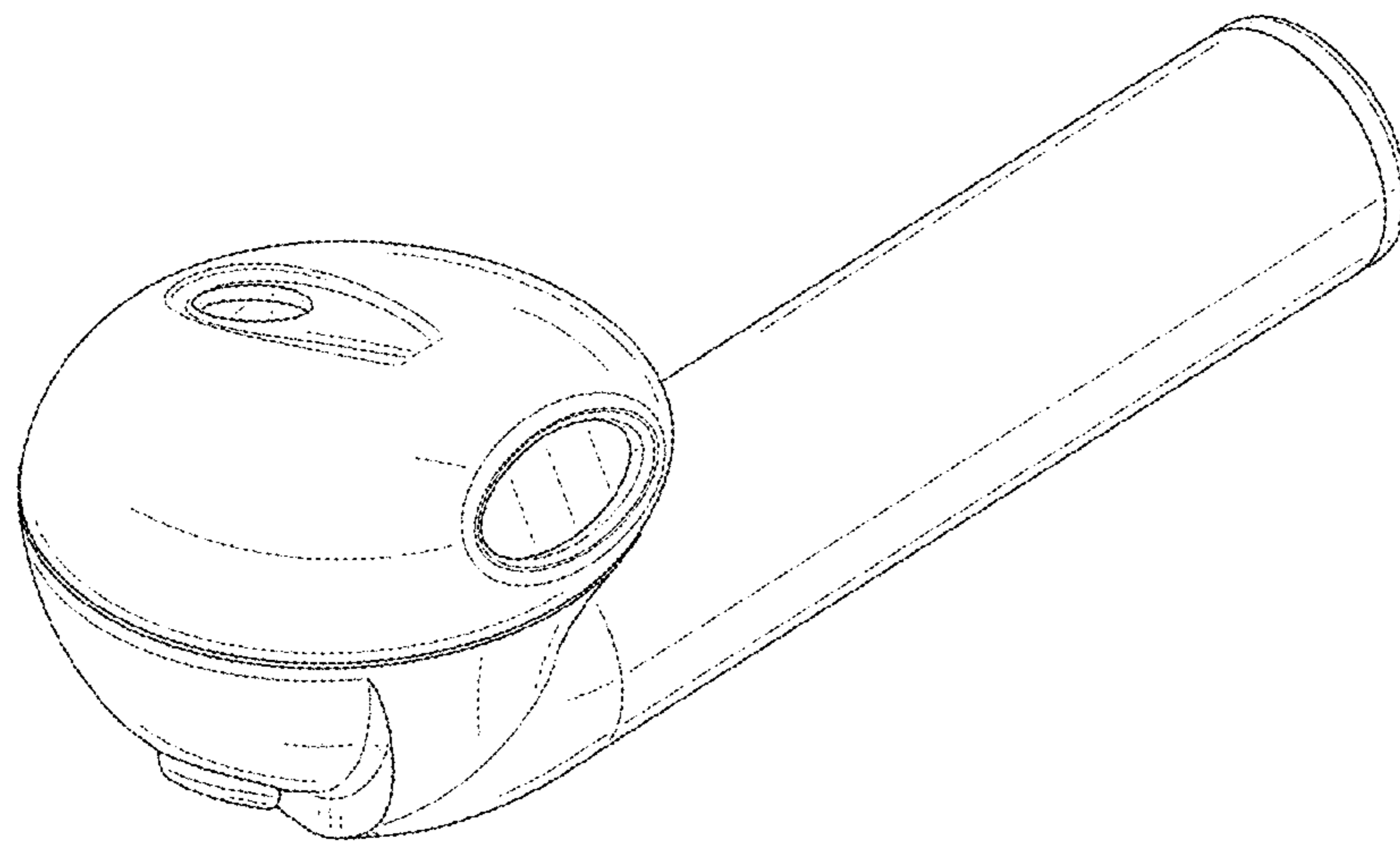


FIG. 1

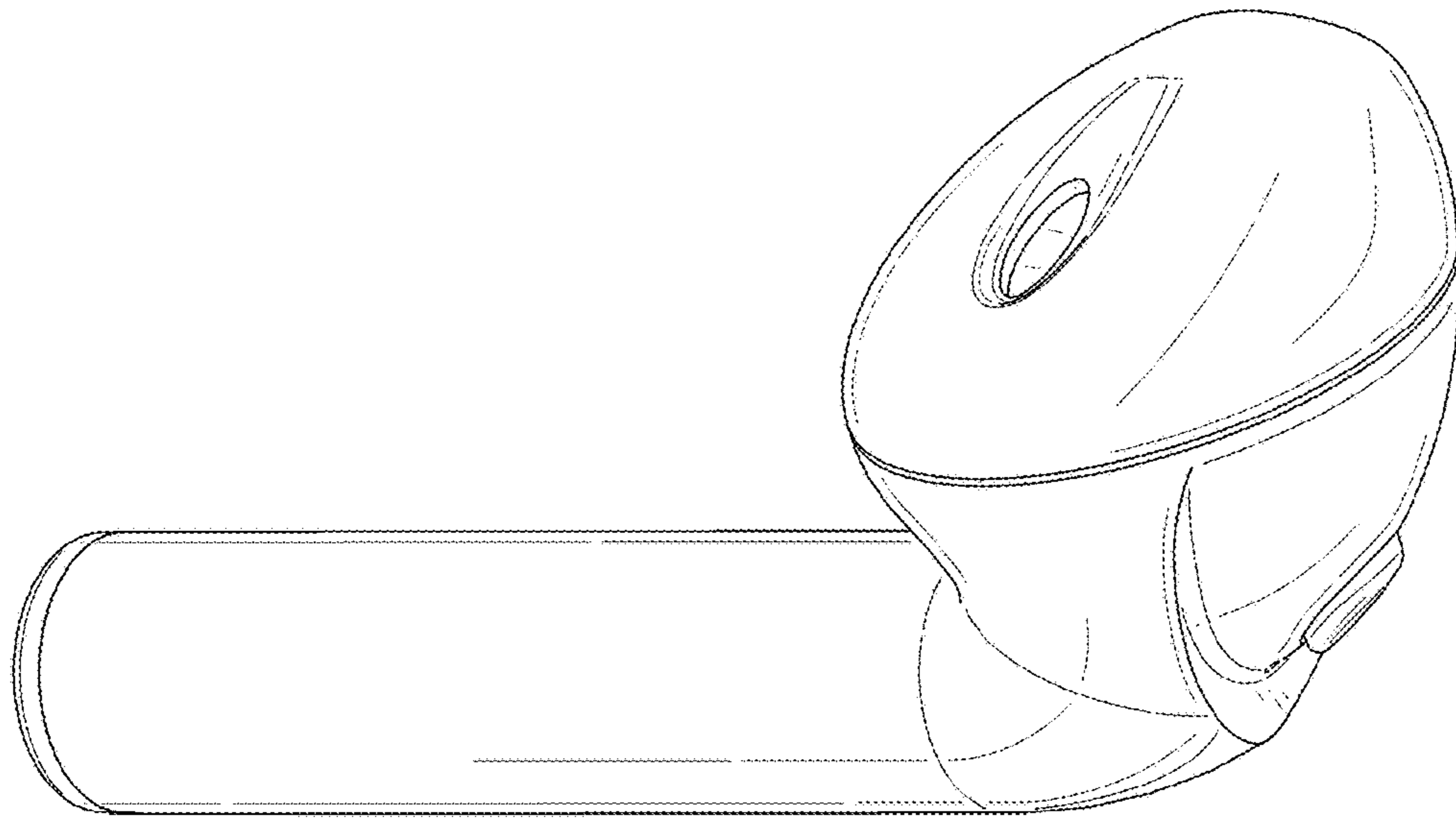


FIG. 2

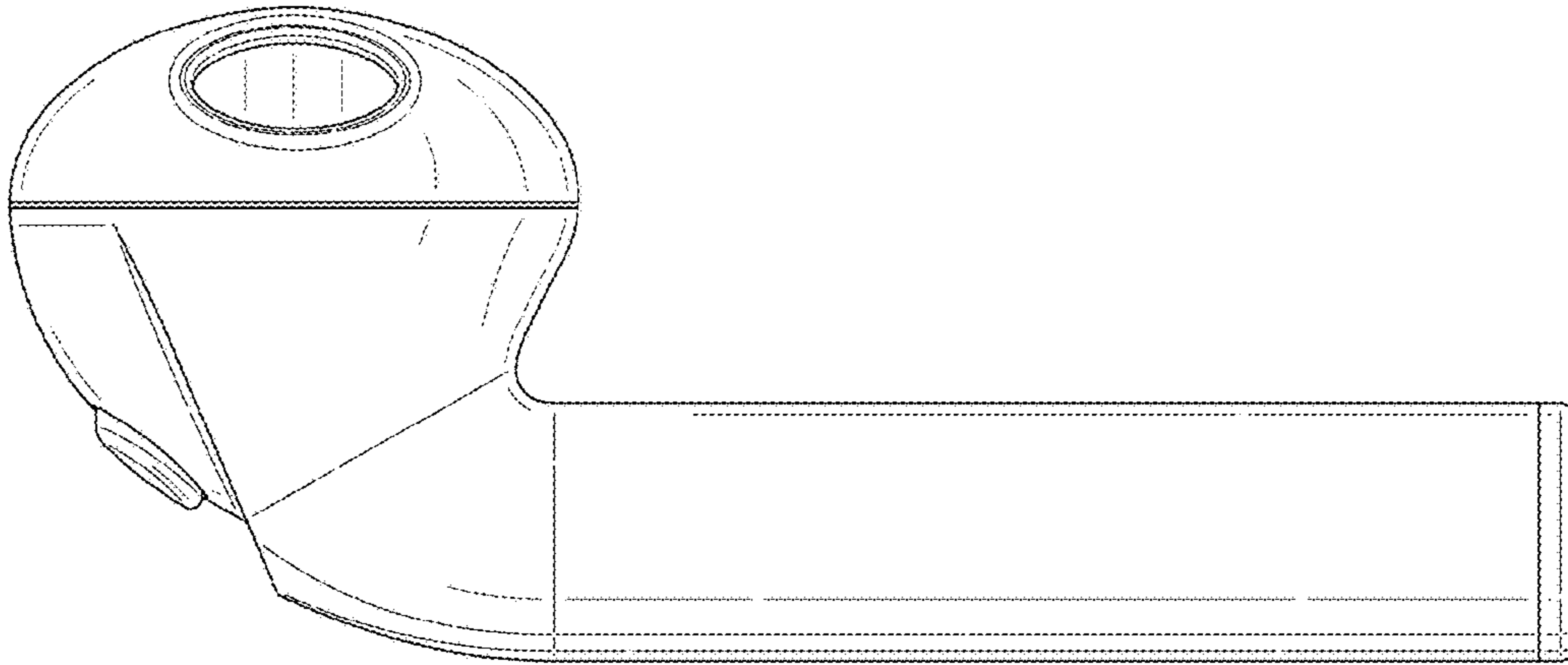


FIG. 3

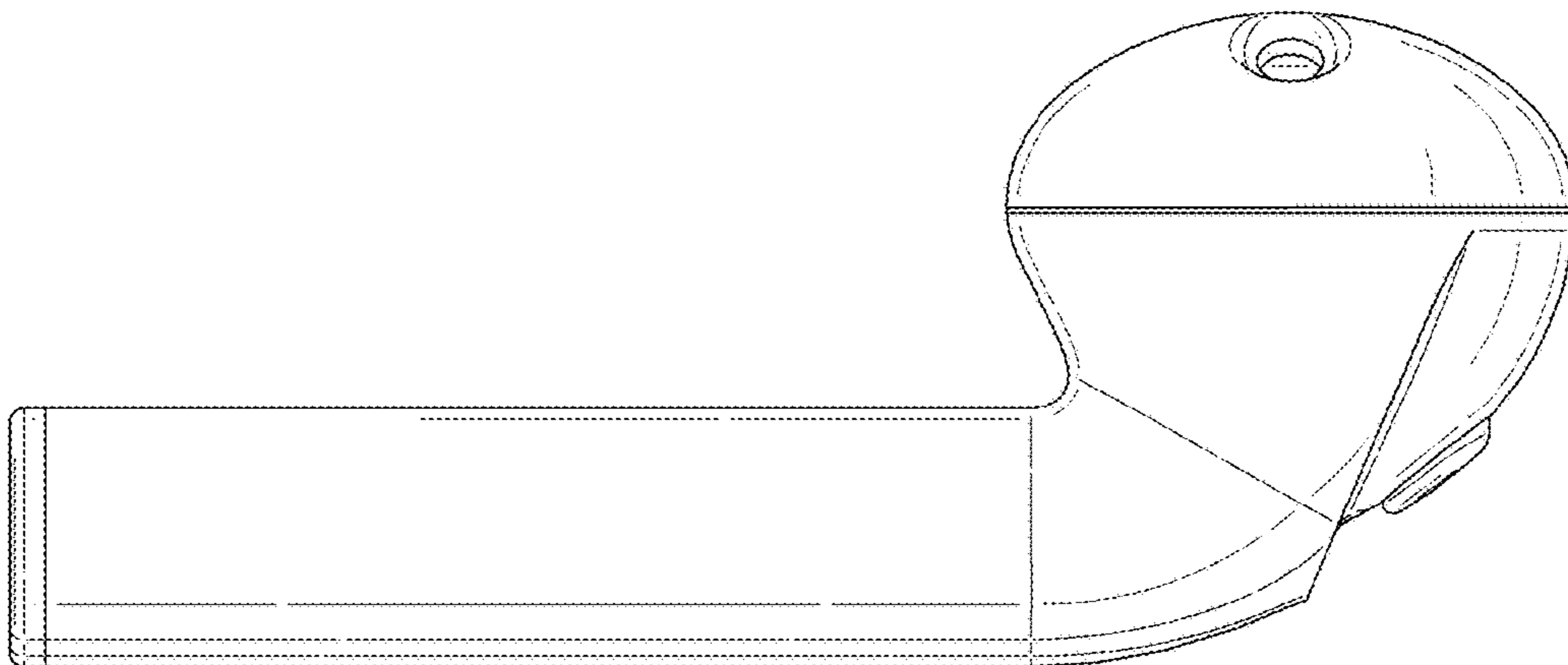


FIG. 4

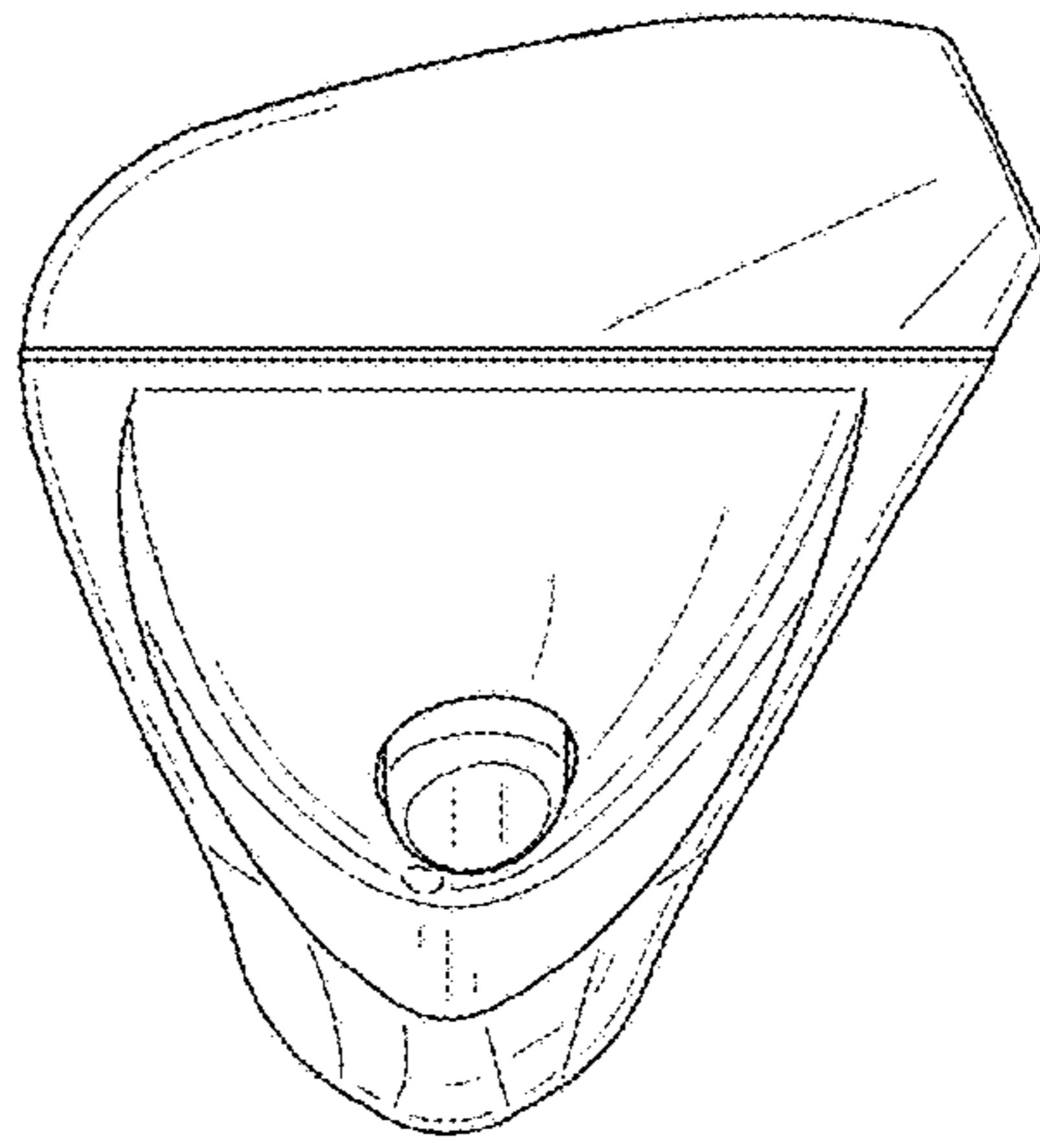


FIG. 5

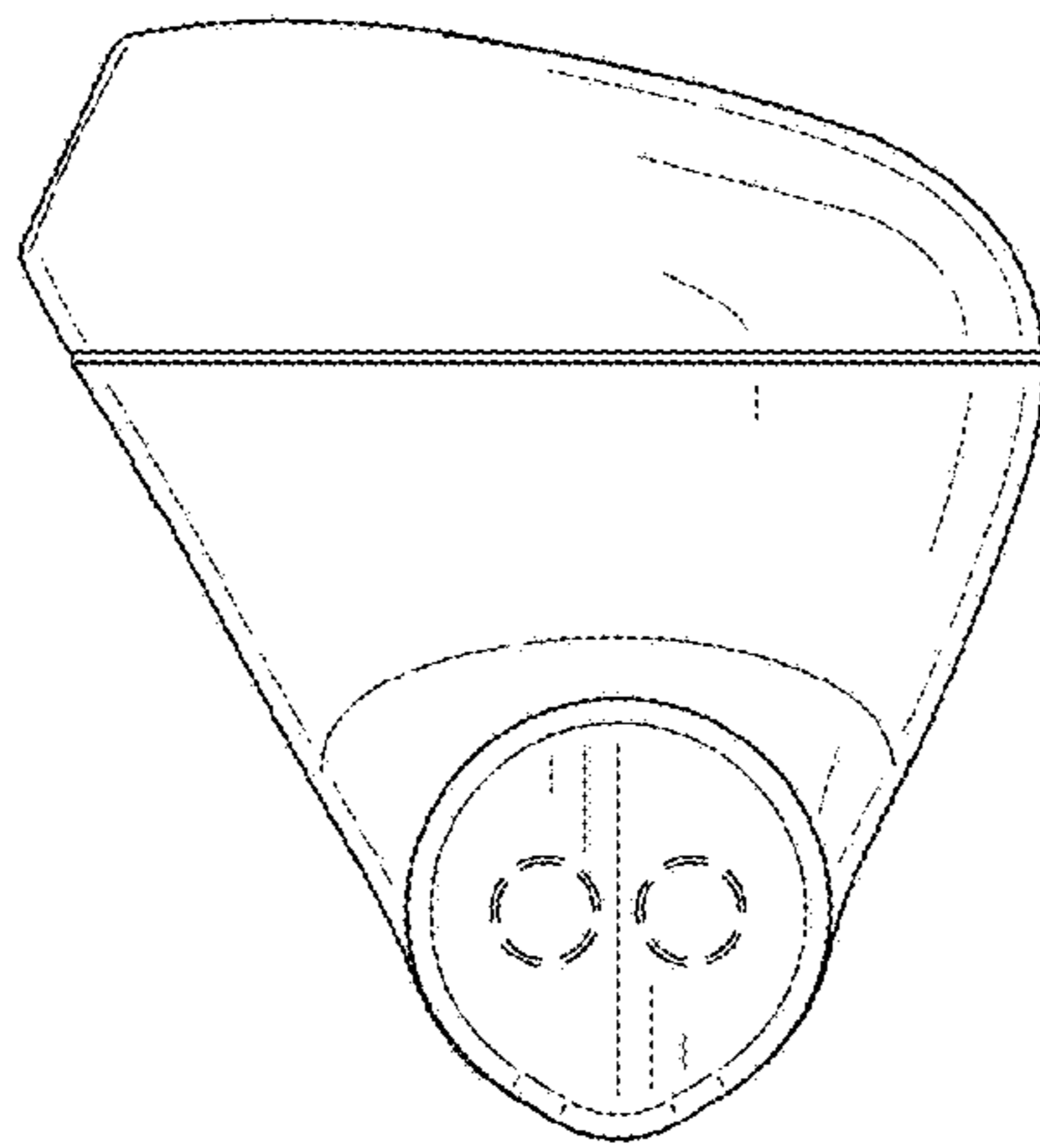


FIG. 6

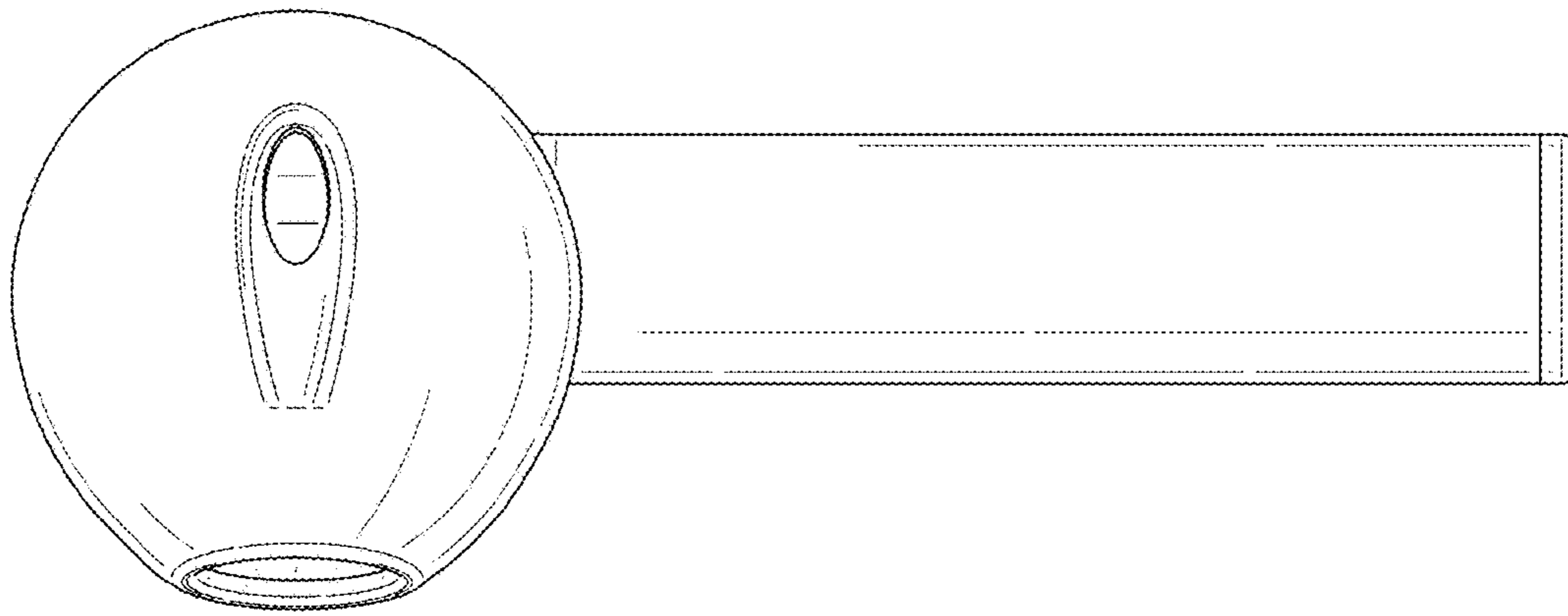


FIG. 7

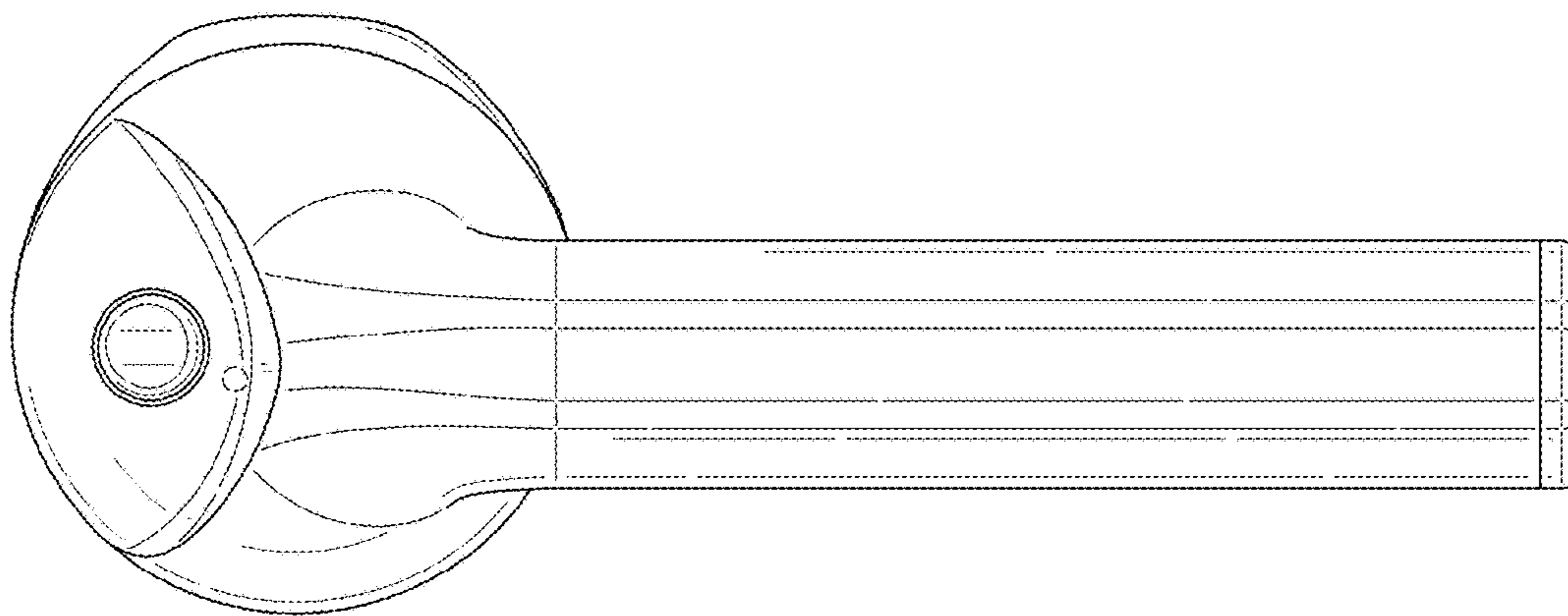


FIG. 8