



US00D830344S

(12) **United States Design Patent** (10) **Patent No.:** **US D830,344 S**
Lee et al. (45) **Date of Patent:** **** Oct. 9, 2018**

(54) **BLUETOOTH ADAPTOR**

(71) Applicant: **Podo Labs, Inc.**, San Francisco, CA (US)

(72) Inventors: **Edmond Lee**, San Francisco, CA (US); **Jae Hoon Choi**, San Francisco, CA (US); **Samuel Pullman**, San Francisco, CA (US)

(73) Assignee: **PODO LABS, INC.**, San Francisco, CA (US)

(**) Term: **15 Years**

(21) Appl. No.: **29/596,567**

(22) Filed: **Mar. 9, 2017**

(51) **LOC (11) Cl.** **14-03**

(52) **U.S. Cl.**
USPC **D14/217**

(58) **Field of Classification Search**
USPC D14/217, 233, 205-206, 155, 163, 165, D14/167, 168, 188, 191, 192, 299, 496, D14/218

CPC H04W 4/008; H04W 84/12; H04W 12/08; H04W 8/005; H04W 12/06; H04W 88/06; H04W 4/02; H04W 88/02; H04W 12/04; H04W 4/023; H04W 64/00; H04W 84/18; H04W 12/02; H04W 24/02; H04W 76/023; H04W 12/12; H04W 4/005; H04W 4/028; H04W 4/22; H04W 48/16; H04W 4/006; H04W 4/026; H04W 4/043; H04W 4/06; H04W 56/001; H04W 64/003; H04W 72/0413; H04W 8/26; H04W 24/08; H04W 28/0236; H04W 4/003; H04W 4/021; H04W 4/027; H04W 4/12; H04W 4/18; H04W 4/206; H04W 4/24; H04W 52/0209; H04W 52/0212; H04W 52/0261; H04W 52/243; H04W 52/245; H04W 64/006; H04W 72/02; H04W 72/042; H04W 72/0453; H04W 72/085; H04W 72/10; H04W 72/1215; H04W 76/02; H04W 84/005; H04W

88/10; H04W 8/205; H04W 8/24; H04W 12/00; H04W 12/10; H04W 16/14; H04W 16/18; H04W 16/20; H04W 16/28; H04W 24/00; H04W 24/06; H04W 24/10; H04W 28/0289; H04W 28/04; H04W 28/26; H04W 36/0005; H04W 36/0022; H04W 36/0055; H04W 36/0083; H04W 36/04; H04W 36/14; H04W 36/22; H04W 36/28; H04W 36/30; H04W 36/32; H04W 40/244; H04W 48/08; H04W 48/12; H04W 48/14; H04W 4/025; H04W 4/04; (Continued)

(56) **References Cited**

U.S. PATENT DOCUMENTS

D290,356 S * 6/1987 Fisher D14/191
D303,528 S * 9/1989 Scheid D14/191
(Continued)

Primary Examiner — Ian Simmons

Assistant Examiner — Khawaja Anwar

(74) *Attorney, Agent, or Firm* — Dinsmore & Shohl LLP

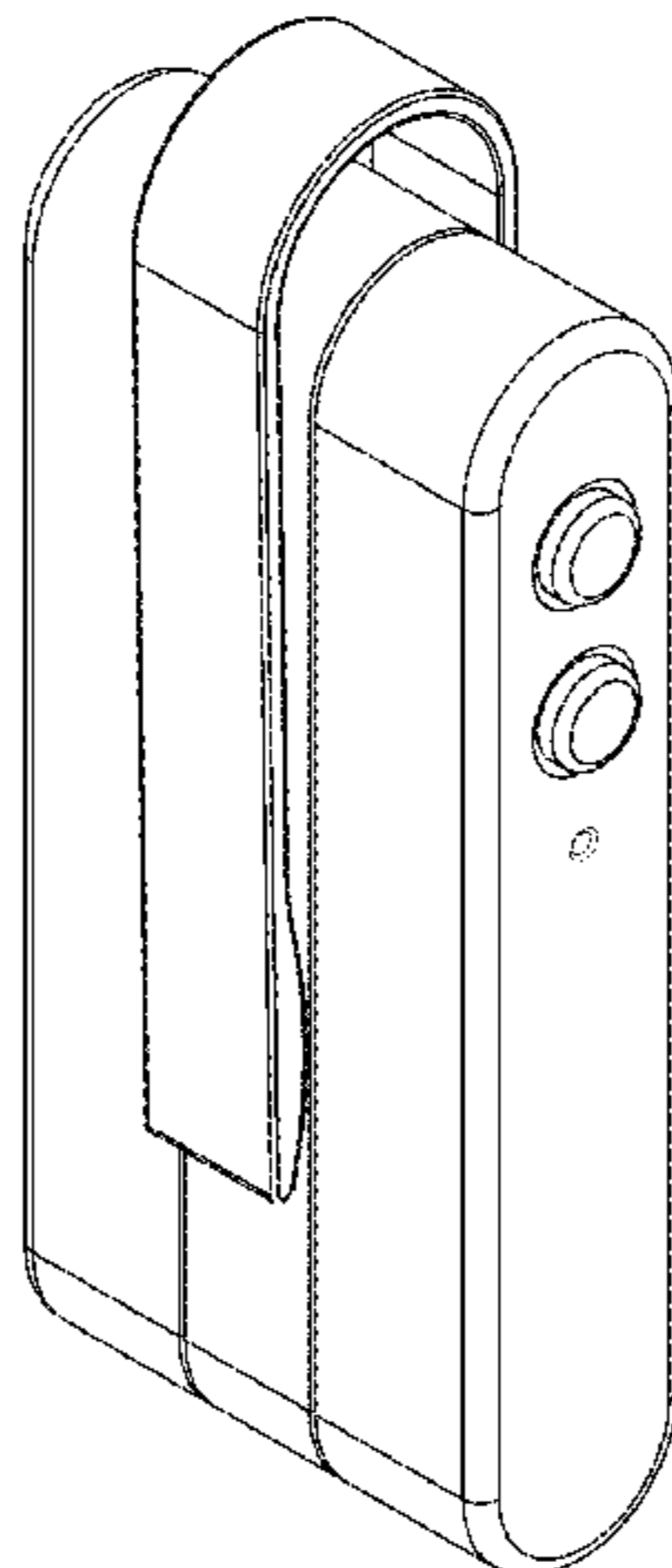
(57) **CLAIM**

The ornamental design for a bluetooth adaptor, as shown and described.

DESCRIPTION

FIG. 1 is the front perspective view of a bluetooth adaptor showing our new design;
FIG. 2 is the rear perspective view thereof;
FIG. 3 is the front view thereof;
FIG. 4 is the rear view thereof;
FIG. 5 is the left-side view thereof;
FIG. 6 is the right-side view thereof;
FIG. 7 is the top plan view thereof; and,
FIG. 8 is the bottom plan view thereof.
The broken lines in the drawings depict parts of the bluetooth adaptor that form no part of the claim.

1 Claim, 8 Drawing Sheets



(58) **Field of Classification Search**

CPC H04W 4/08; H04W 4/14; H04W 4/26;
H04W 52/0216; H04W 52/0219; H04W
52/0225; H04W 52/0245; H04W 52/241;
H04W 52/265; H04W 52/267; H04W
52/32; H04W 52/36; H04W 52/367;
H04W 52/386; H04W 60/04; H04W
68/005; H04W 68/02; H04W 72/04;
H04W 72/082; H04W 72/1247; H04W
72/1273; H04W 72/1289; H04W 74/08;
H04W 76/007; H04W 76/021; H04W
76/022; H04W 76/025; H04W 76/026;
H04W 76/027; H04W 76/028; H04W
76/046; H04W 76/064; H04W 84/042;
H04W 88/04; H04W 88/08; H04W 88/12;
H04W 88/16; H04W 8/08; H04W 8/18;
H04W 8/183; H04W 8/186; H04W 8/22;
H04W 92/01

See application file for complete search history.

(56) **References Cited**

U.S. PATENT DOCUMENTS

D566,106 S *	4/2008	Kim	D14/223
D638,409 S *	5/2011	Walter	D14/223
D662,488 S *	6/2012	Yeo	D14/203.3
D713,421 S *	9/2014	Kaneta	D14/496
D737,796 S *	9/2015	Liu	D14/205
D762,858 S *	8/2016	Iwabuchi	D24/174

* cited by examiner

FIG. 1

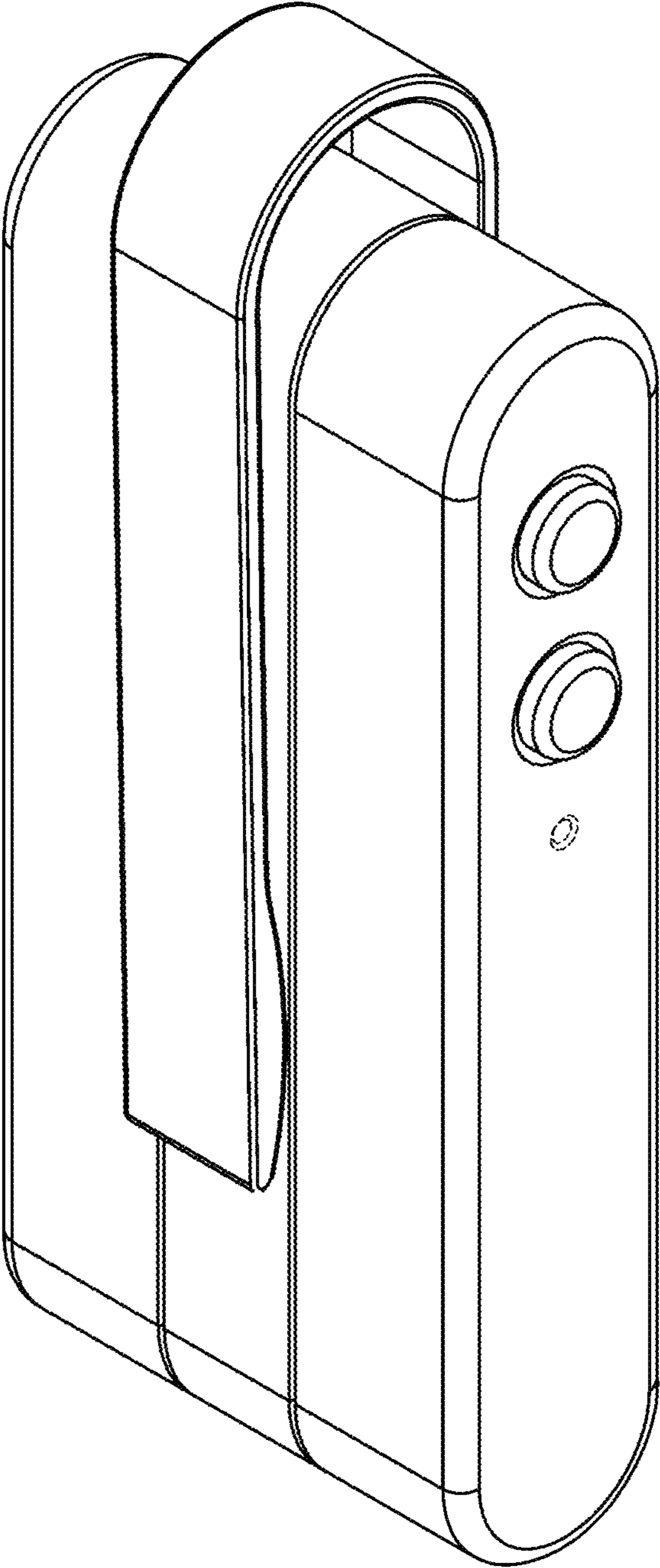


FIG. 2

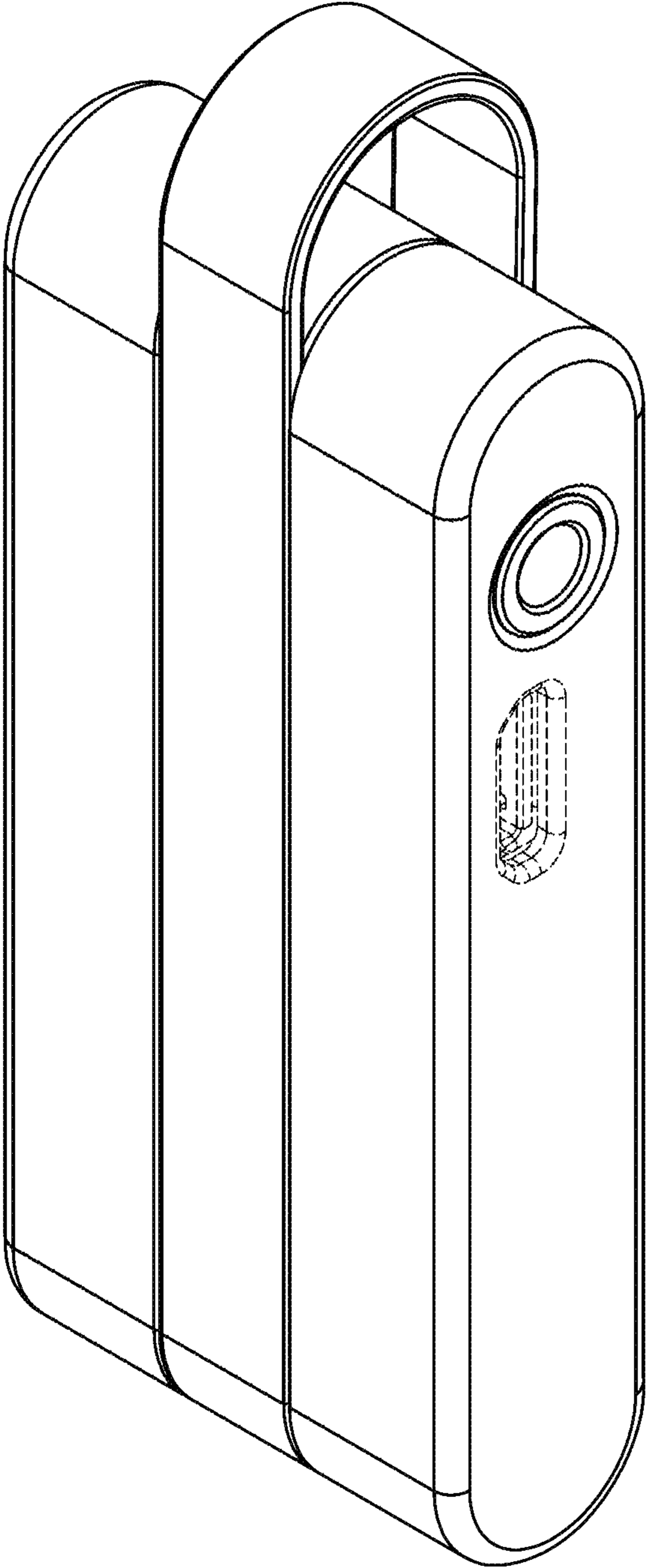


FIG. 3

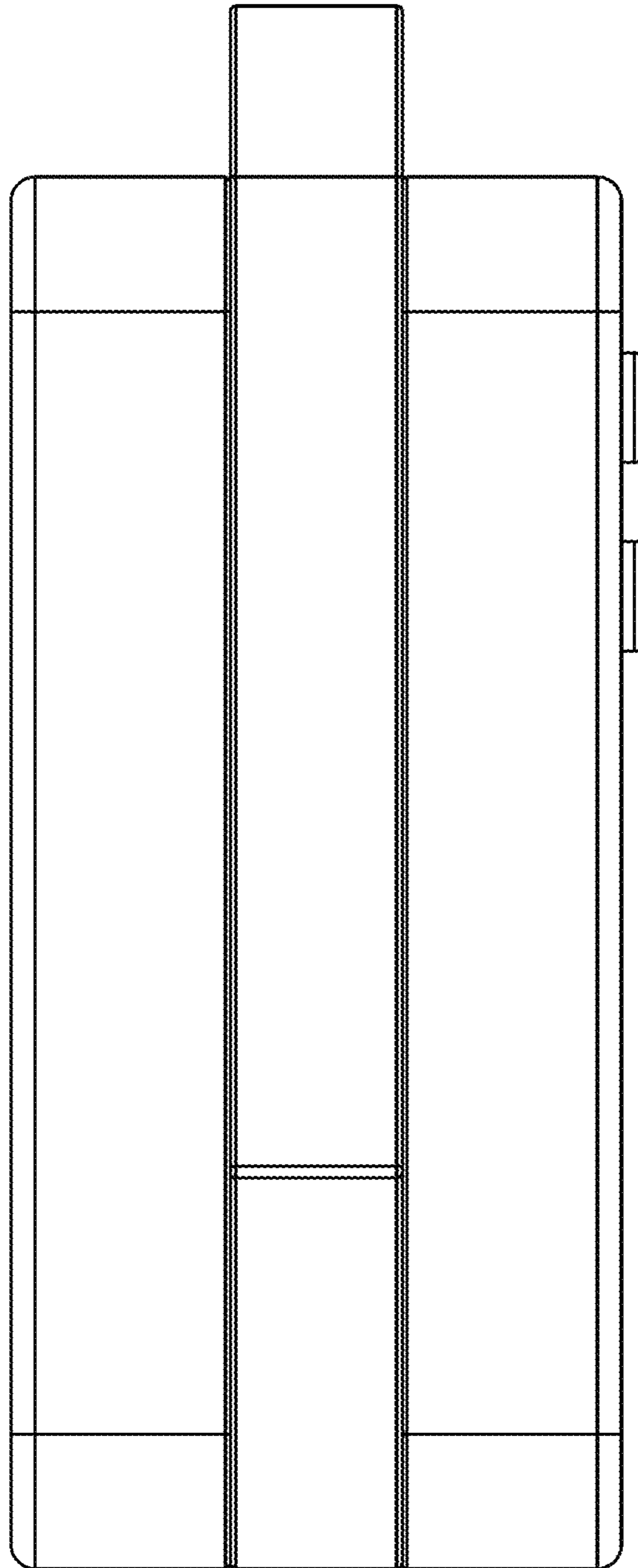


FIG. 4

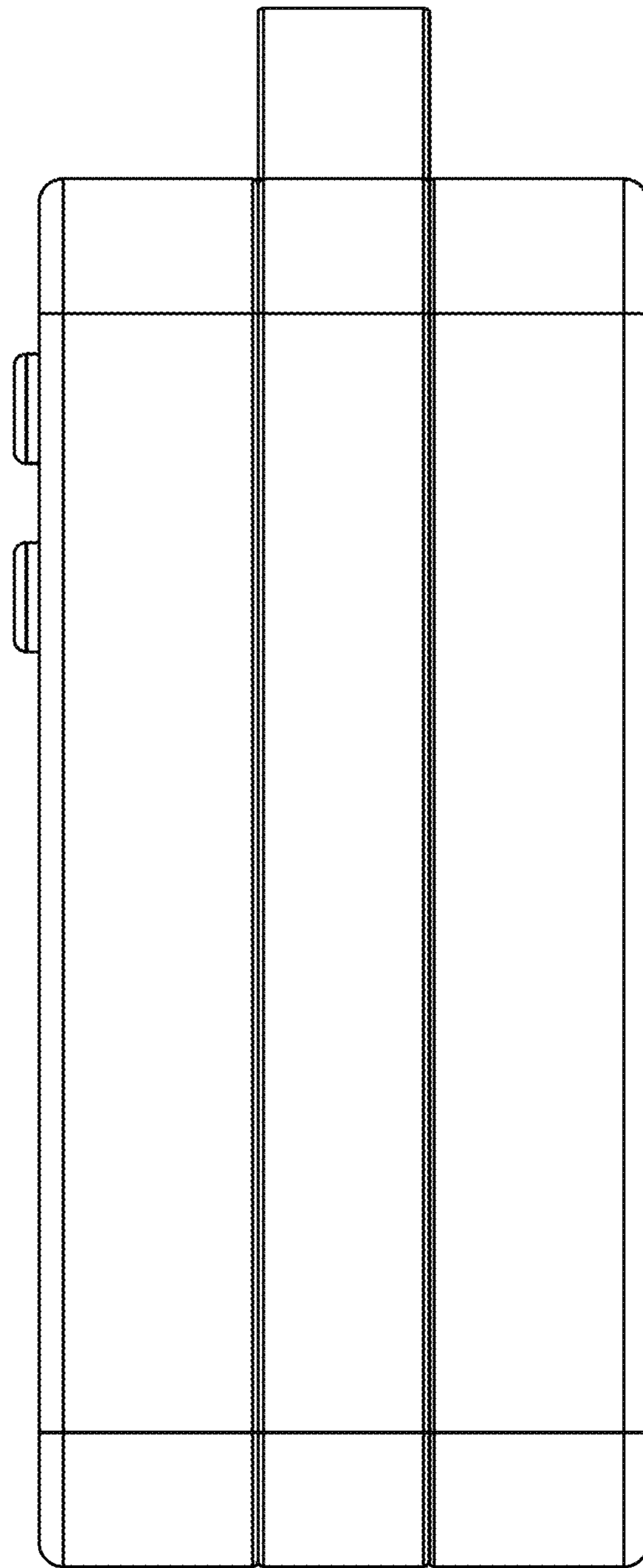


FIG. 5

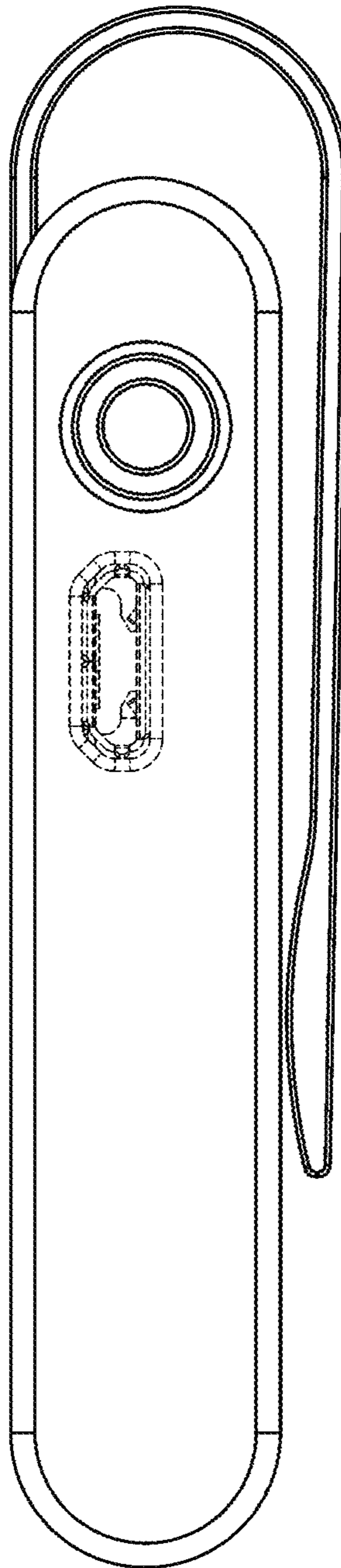


FIG. 6

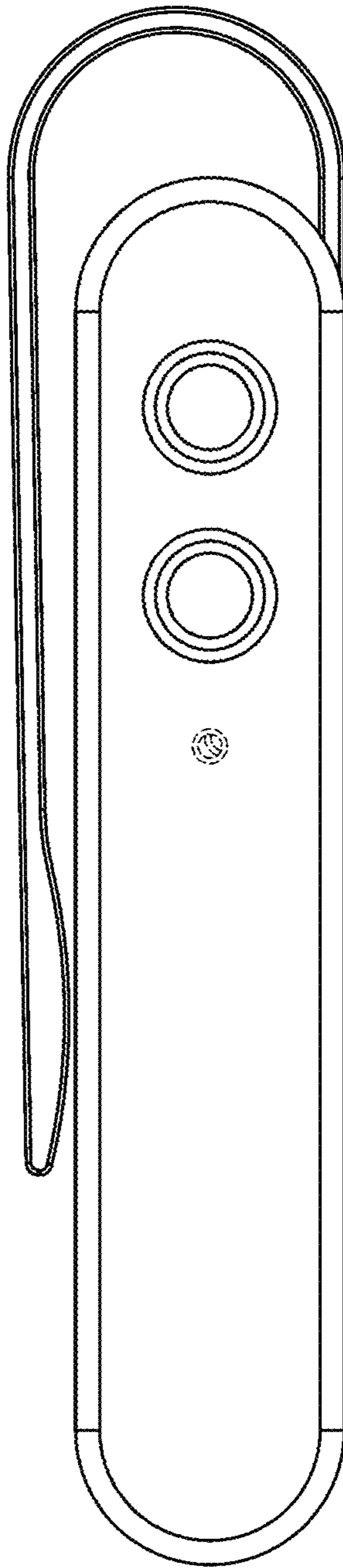


FIG. 7

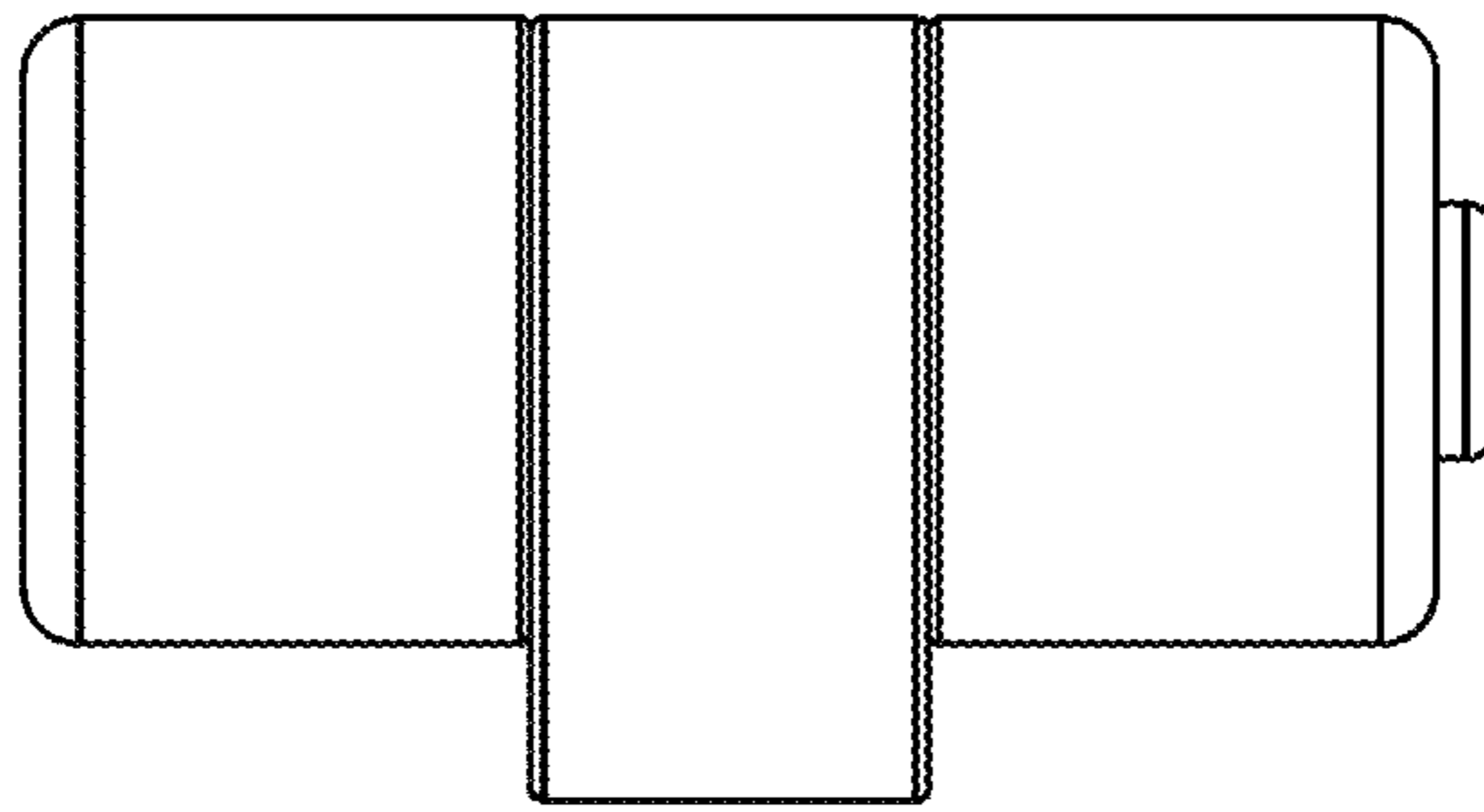


FIG. 8

