



US00D830343S

(12) **United States Design Patent**
Fustino

(10) **Patent No.:** **US D830,343 S**
(45) **Date of Patent:** **** Oct. 9, 2018**

(54) **PORTABLE LOUDSPEAKER**

Primary Examiner — Keli L Hill

(71) Applicant: **Bose Corporation**, Framingham, MA
(US)

(72) Inventor: **David J. Fustino**, Charlestown, MA
(US)

(73) Assignee: **Bose Corporation**, Framingham, MA
(US)

(**) Term: **15 Years**

(21) Appl. No.: **29/599,776**

(22) Filed: **Apr. 6, 2017**

(51) **LOC (11) Cl.** **14-03**

(52) **U.S. Cl.**
USPC **D14/214**

(58) **Field of Classification Search**

USPC D14/167, 168, 170–172, 188, 194–196,
D14/204, 209.1, 210–216, 219, 221, 222,
D14/224, 239, 496
CPC B60R 11/0217; G06F 1/1688; G10K 9/22;
G10K 11/004; H03F 1/327; H04M 1/03;
H04M 1/035; H04N 5/642; H04N
21/4852; H04R 1/02; H04R 1/06; H04R
1/021; H04R 1/025; H04R 1/026; H04R
1/028; H04R 1/105; H04R 1/323; H04R
1/403; H04R 1/2803; H04R 1/2834;
H04R 5/02;

(Continued)

(56) **References Cited**

U.S. PATENT DOCUMENTS

D465,469 S * 11/2002 Heath D10/104.1
D540,296 S * 4/2007 Mak D14/168

(Continued)

OTHER PUBLICATIONS

Ultimate Ears Roll Wireless Speaker—Verizon Wireless, <https://www.verizonwireless.com/accessories/ultimate-ears-roll/> accessed Apr. 5, 2017.

(Continued)

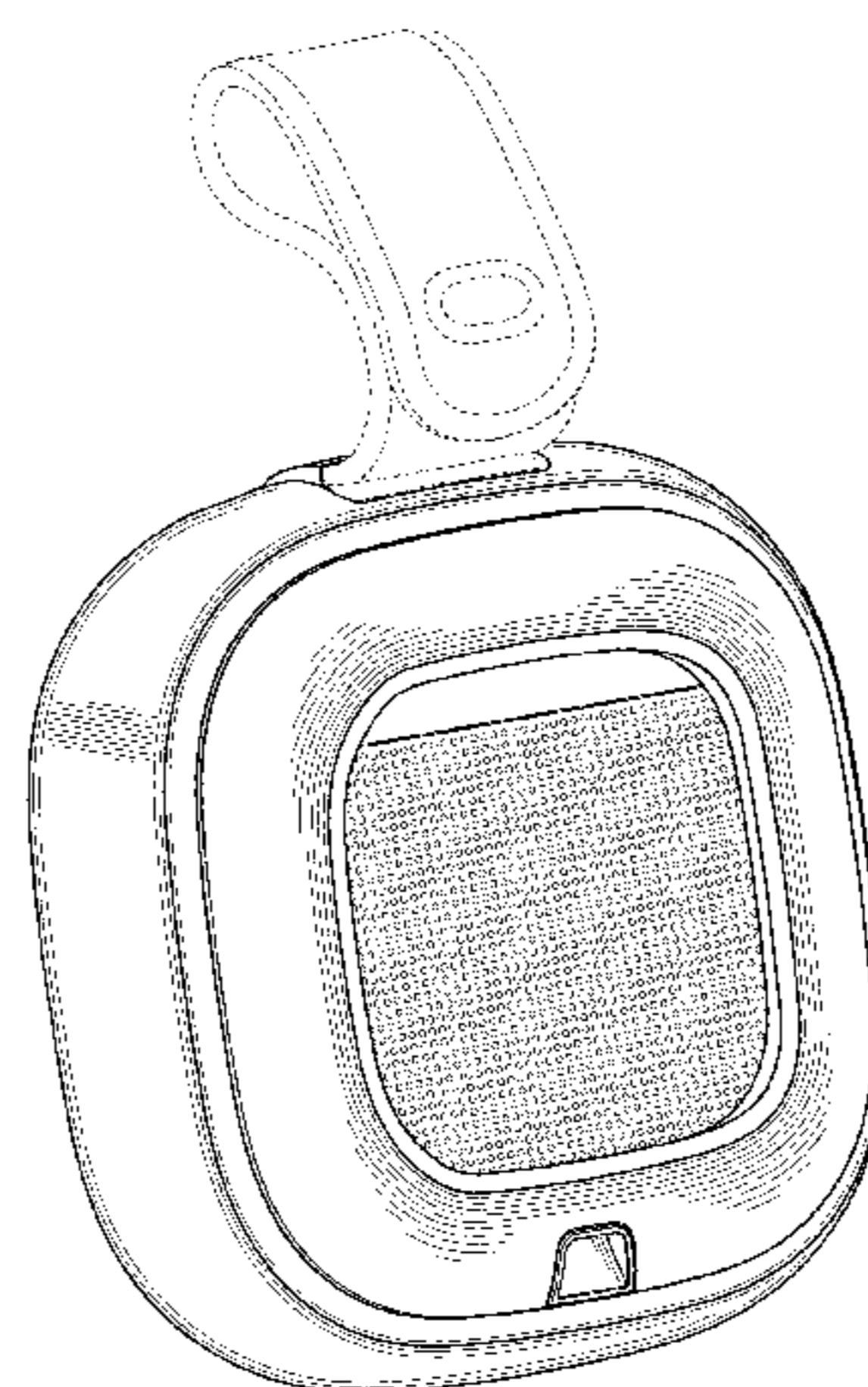
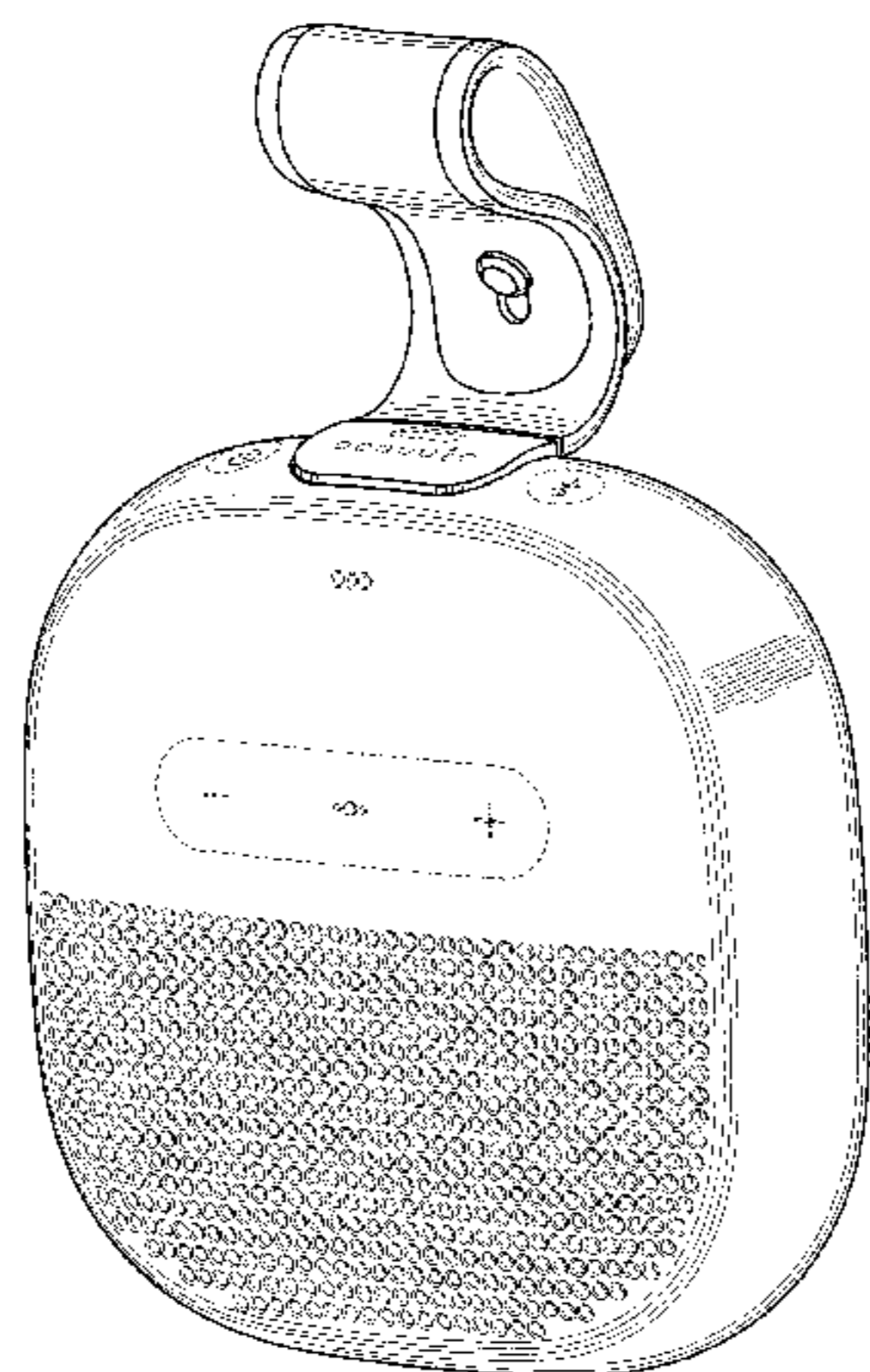
(57) **CLAIM**

The ornamental design for a portable loudspeaker, substantially as shown and described.

DESCRIPTION

FIG. 1 is a front perspective view of a first embodiment of a portable loudspeaker, showing my new design; FIG. 2 is a rear perspective view thereof; FIG. 3 is a front view thereof; FIG. 4 is a rear view thereof; FIG. 5 is a top view thereof; FIG. 6 is a bottom view thereof; FIG. 7 is a side view thereof; FIG. 8 is an opposite side view thereof; FIG. 9 is a front perspective view of an alternative configuration of the portable loudspeaker; FIG. 10 is a rear perspective view thereof; FIG. 11 is a front view thereof; FIG. 12 is a rear view thereof; FIG. 13 is a top view thereof; FIG. 14 is a bottom view thereof; FIG. 15 is a side view thereof; FIG. 16 is an opposite side view thereof; FIG. 17 is a front perspective view of a second embodiment of a portable loudspeaker, showing my new design; FIG. 18 is a rear perspective view thereof; FIG. 19 is a front view thereof; FIG. 20 is a rear view thereof; FIG. 21 is a top view thereof; FIG. 22 is a bottom view thereof; FIG. 23 is a side view thereof; and, FIG. 24 is an opposite side view thereof. The broken line portions show unclaimed subject matter only and form no part of the claimed design.

1 Claim, 18 Drawing Sheets



(58) **Field of Classification Search**

CPC . H04R 7/20; H04R 9/06; H04R 9/025; H04R
2201/021; H04R 2400/00; H04R 2400/07;
H04R 2499/11; H04R 2499/13; H04R
2499/15; H04S 3/00; H04S 7/30

See application file for complete search history.

(56) **References Cited**

U.S. PATENT DOCUMENTS

D740,258	S	*	10/2015	Yu	D14/216
D755,160	S	*	5/2016	Ponce	D14/214
D764,439	S	*	8/2016	Kim	D14/214
D780,712	S	*	3/2017	Poandl	D14/171
D784,292	S	*	4/2017	Kim	D14/214
D786,828	S	*	5/2017	Hua	D14/204
D790,510	S	*	6/2017	Xiao	D14/216
D797,704	S	*	9/2017	Fischer	D14/216
2011/0123038	A1		5/2011	Clark		
2015/0195635	A1		7/2015	Garfio et al.		
2015/0289607	A1		10/2015	Lee et al.		

OTHER PUBLICATIONS

JBL Clip+|Rugged, Splashproof Bluetooth Speaker, http://www.jbl.com/bluetooth-speakers/JBL-CLIP+PLUS.html?dwvar_JBL%20CLIP%20PLUS_color=Black accessed Apr. 5, 2017.

* cited by examiner

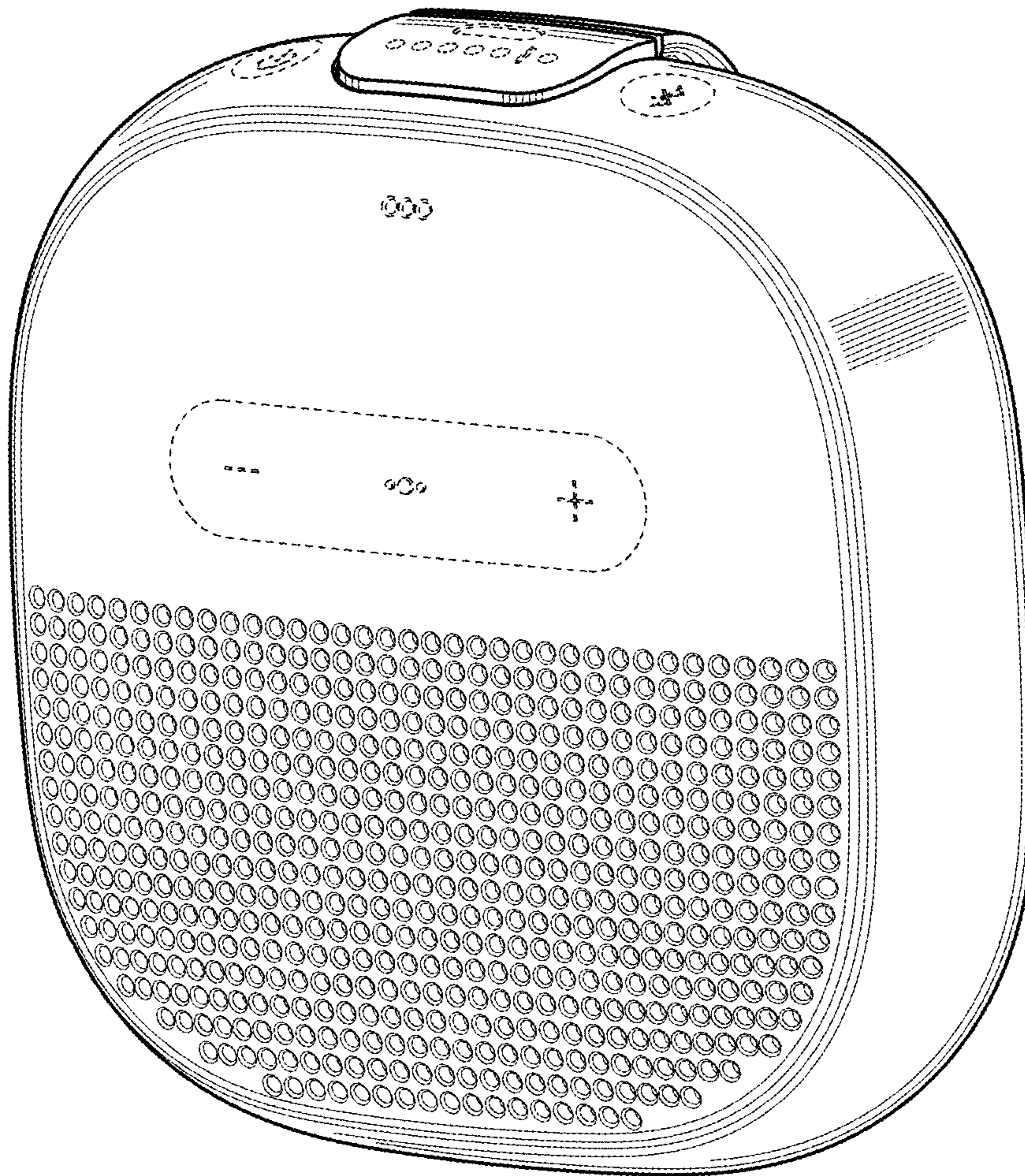


FIG. 1

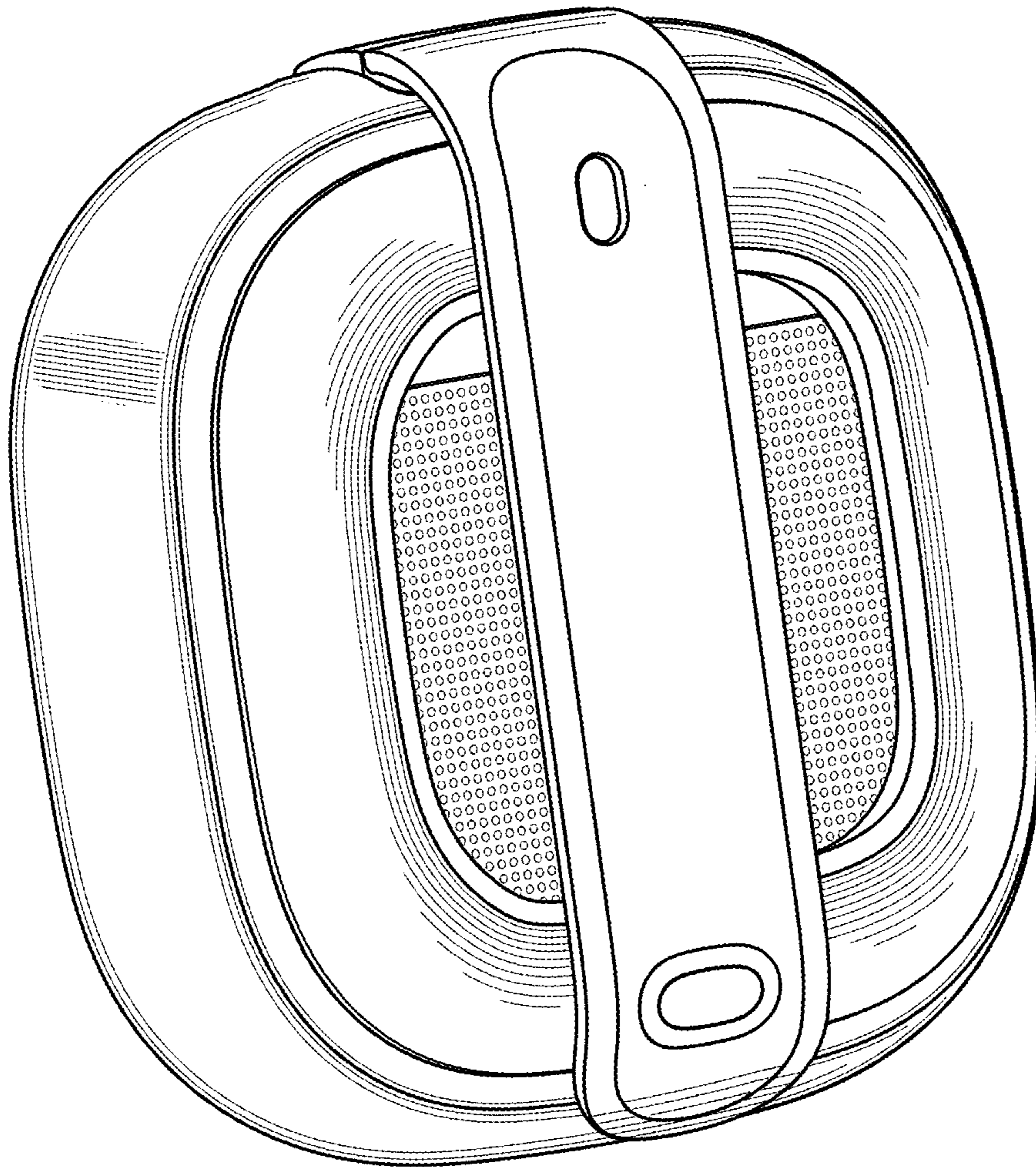


FIG. 2



FIG. 3

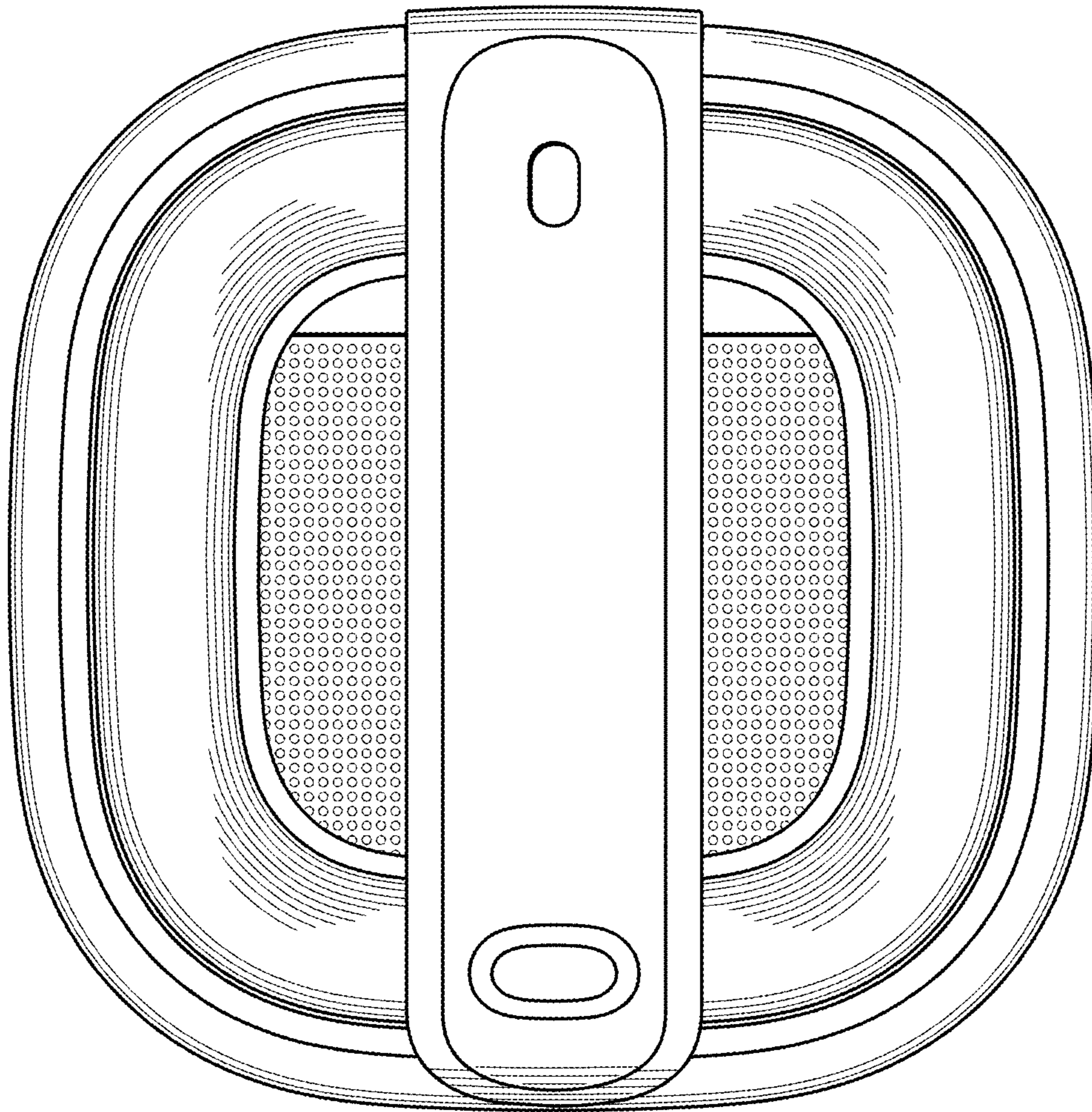


FIG. 4

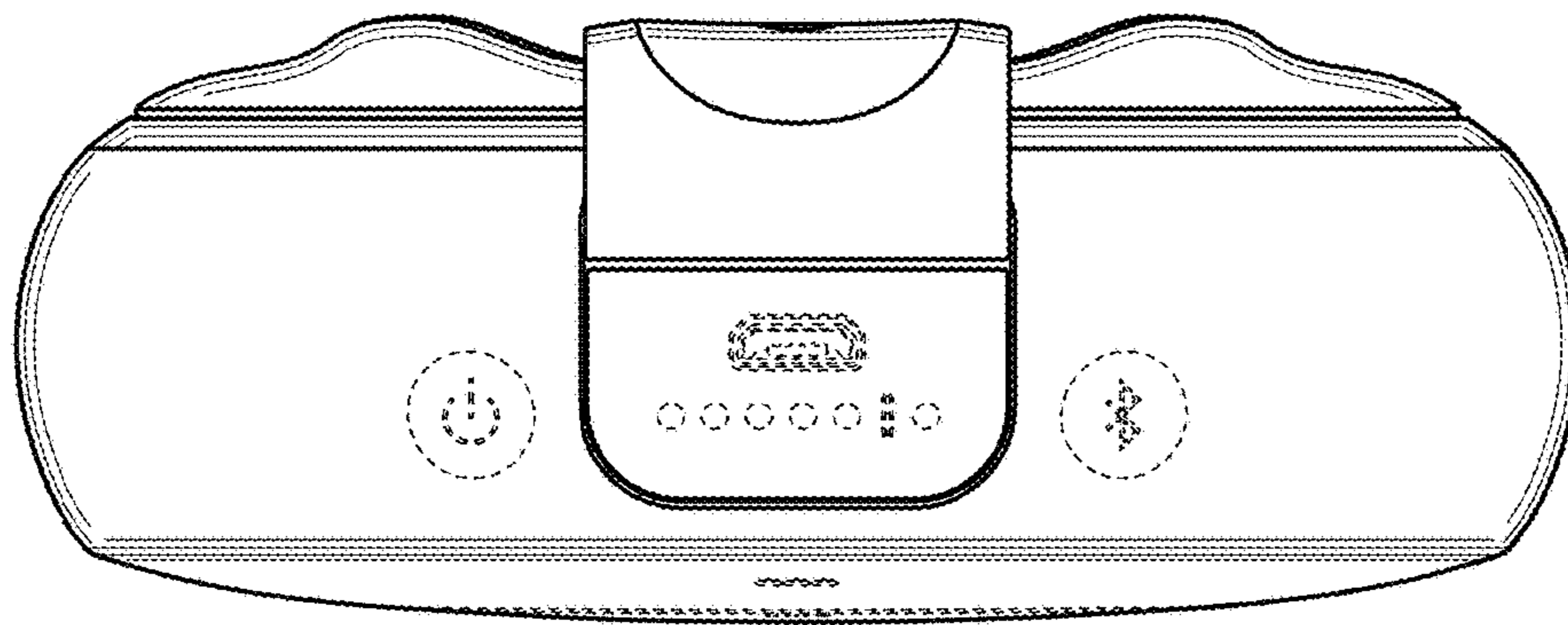


FIG. 5

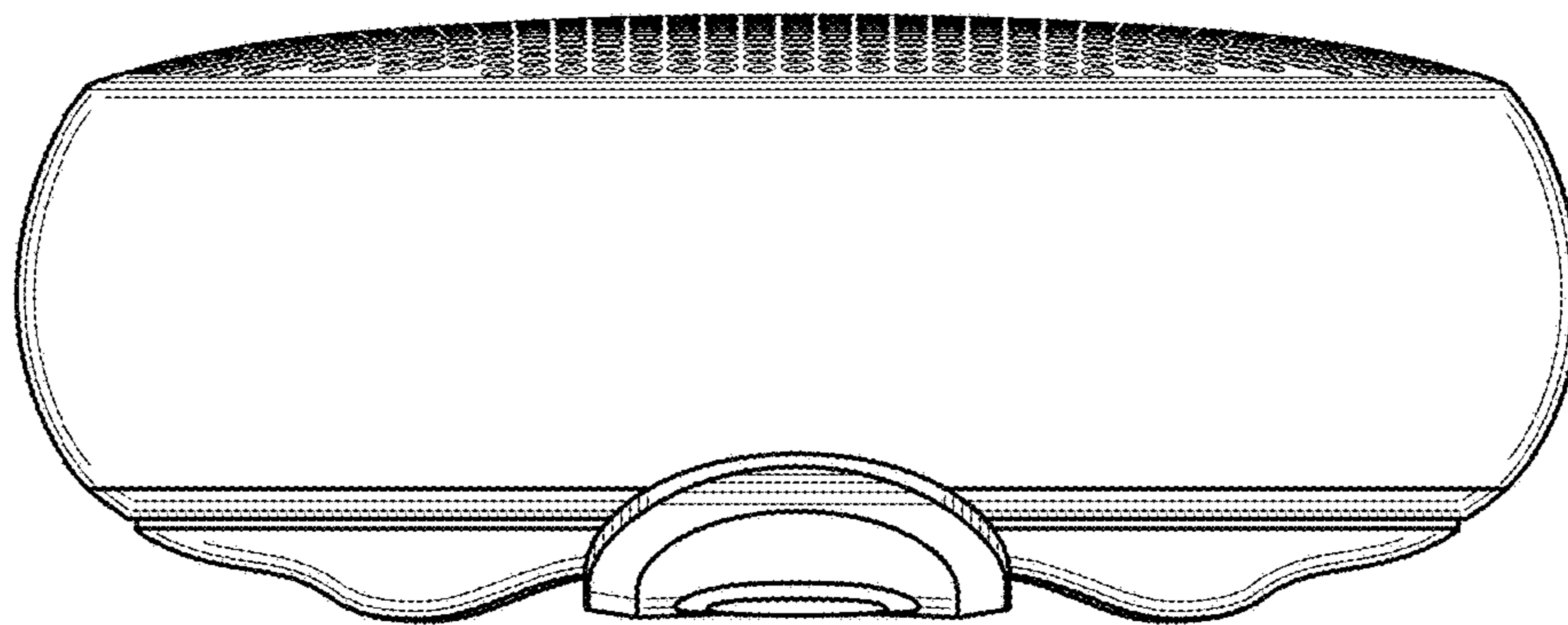


FIG. 6

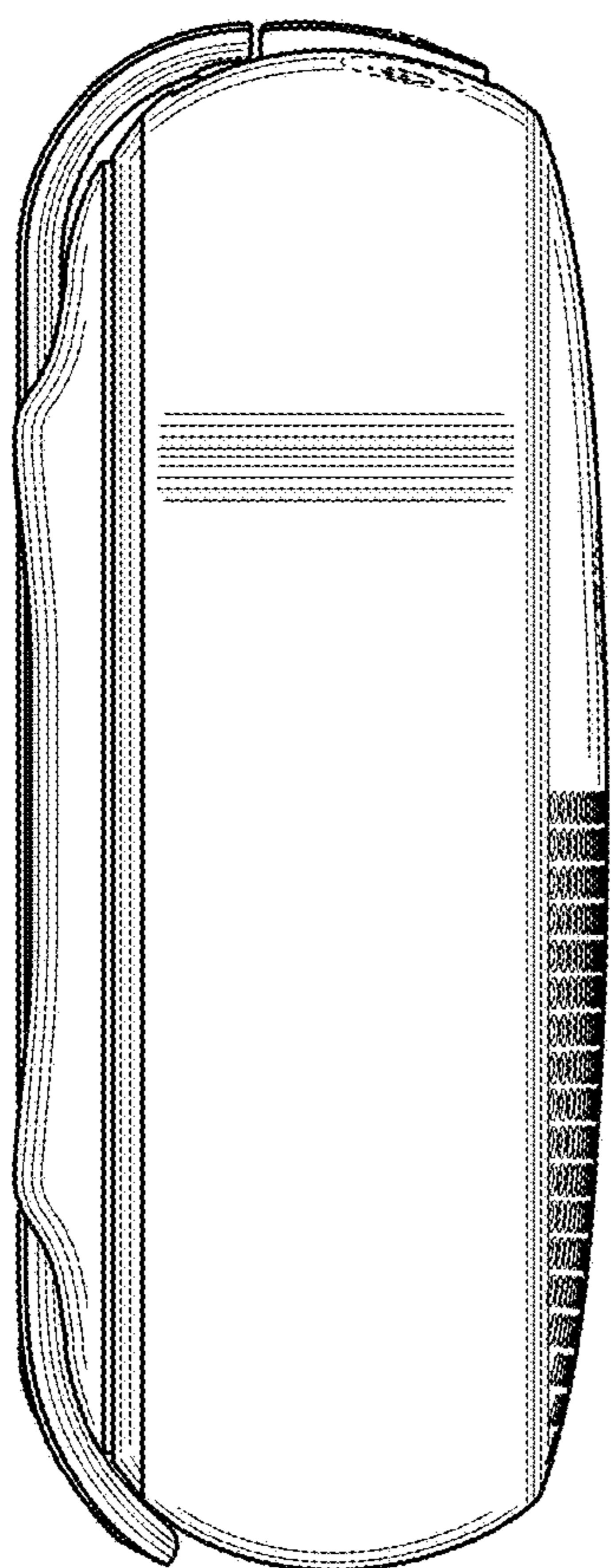


FIG. 7

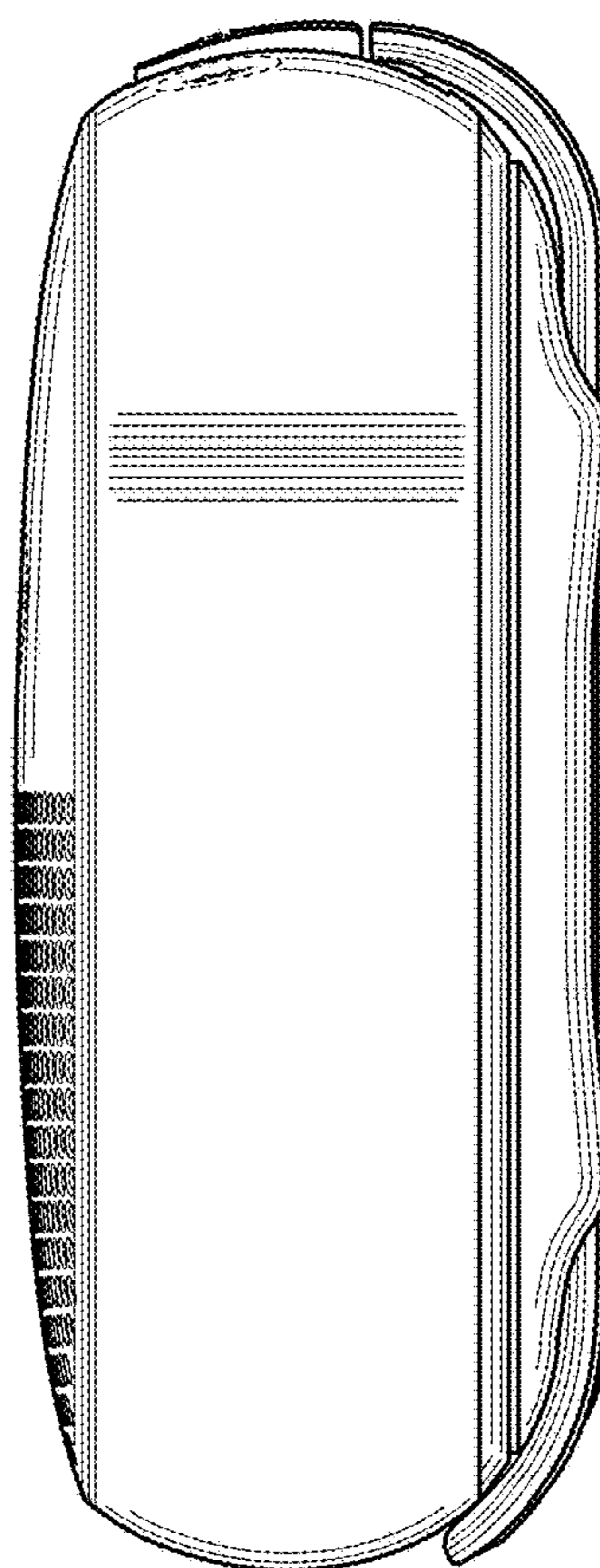


FIG. 8

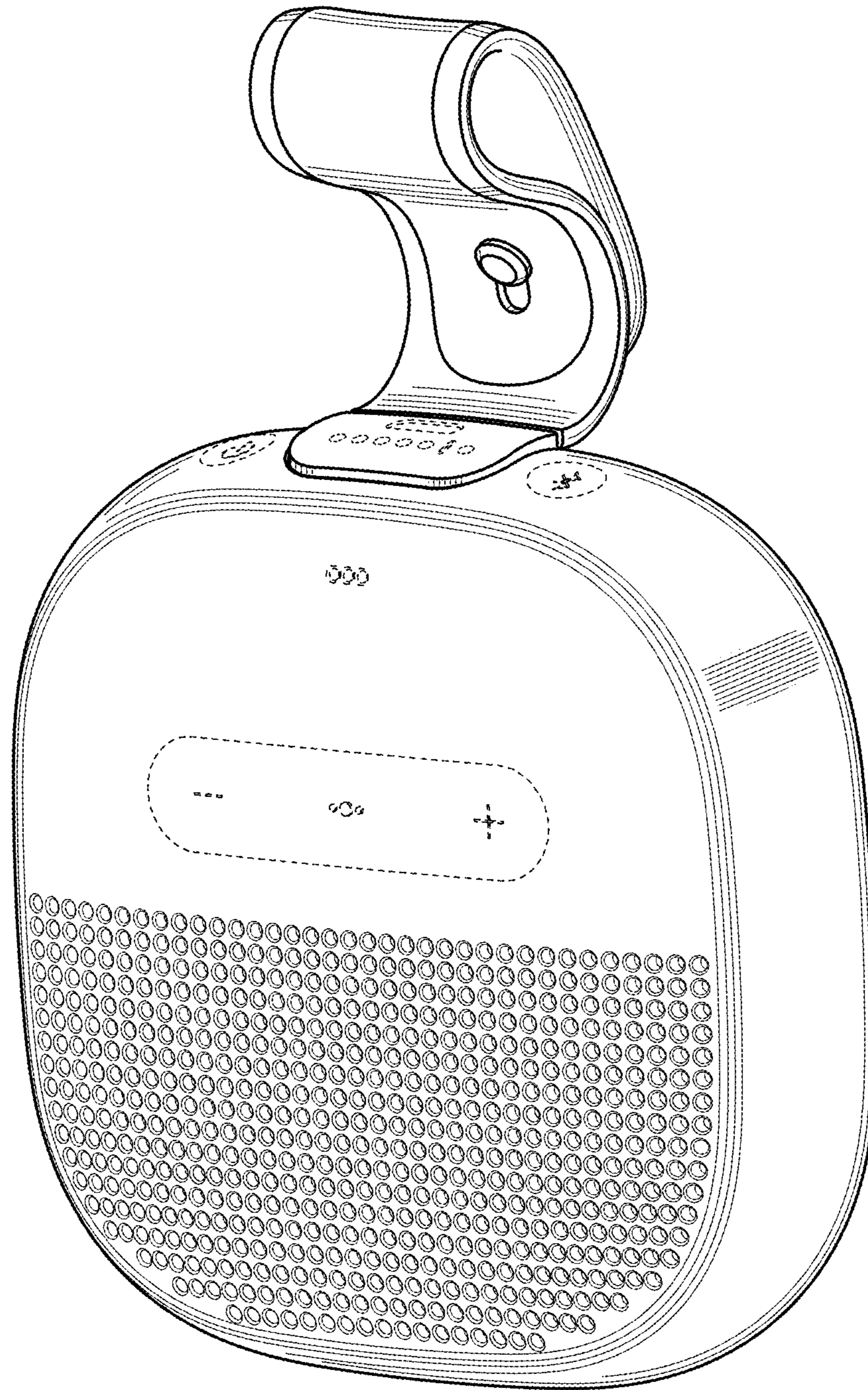


FIG. 9

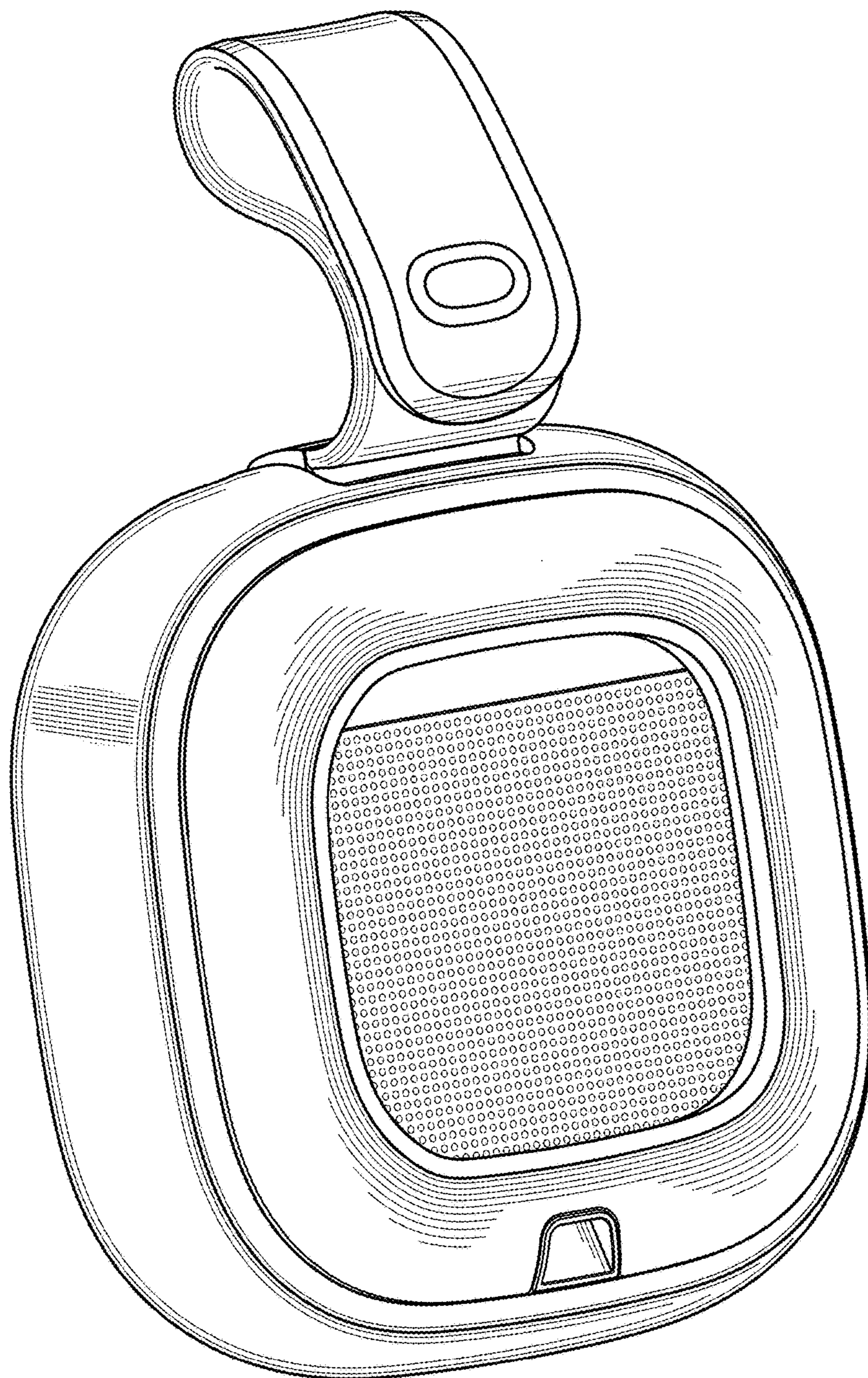


FIG. 10

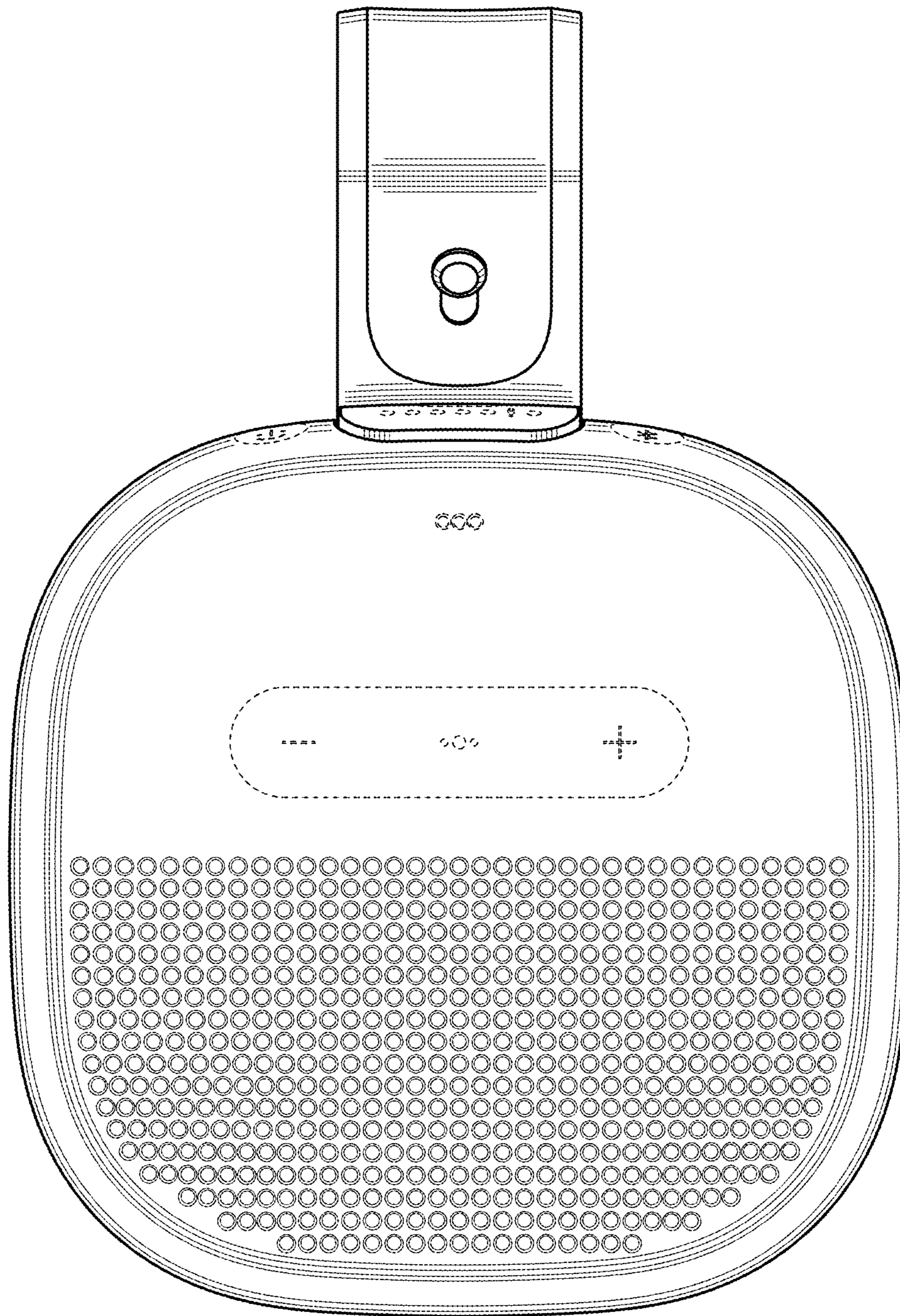


FIG. 11

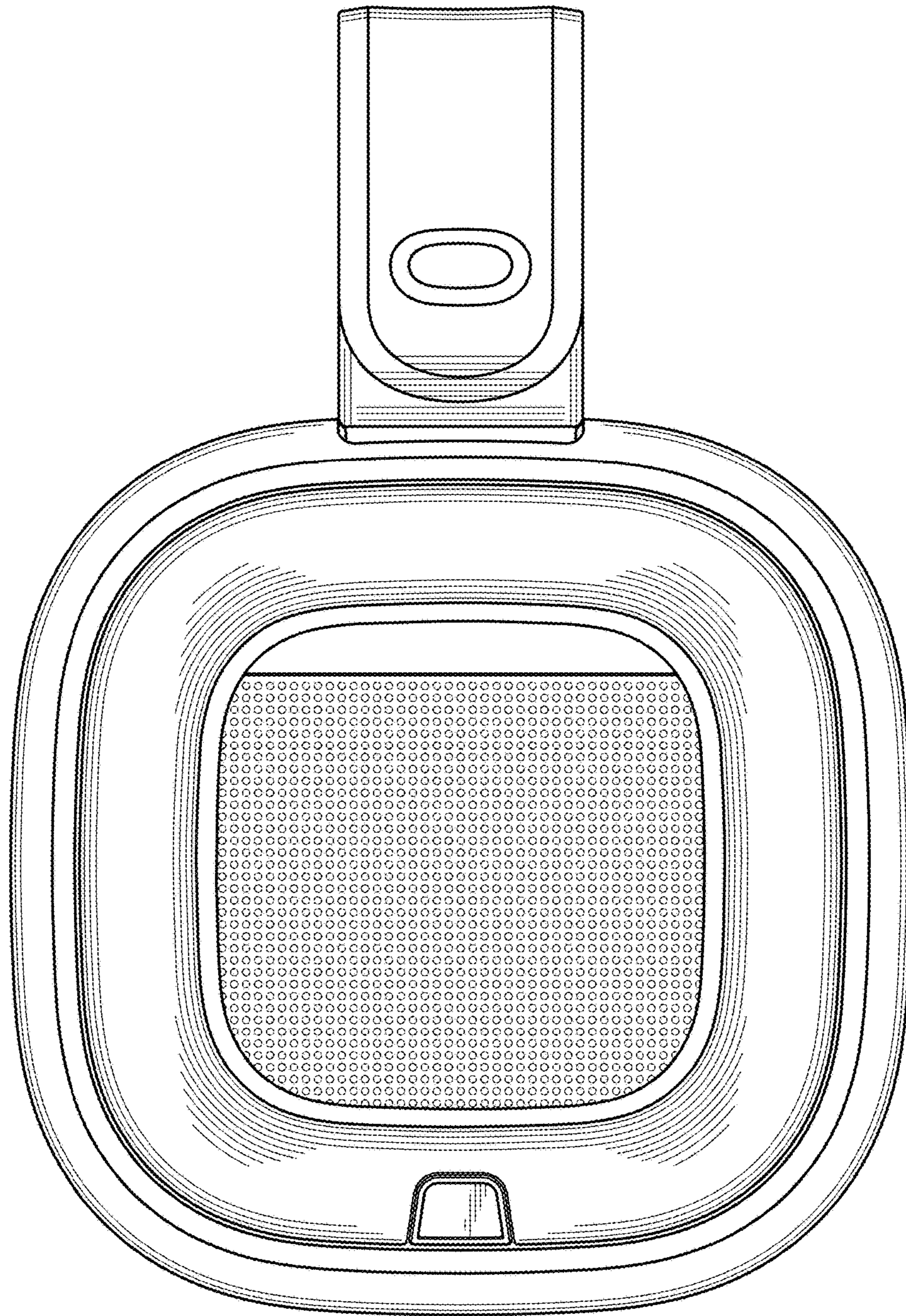


FIG. 12

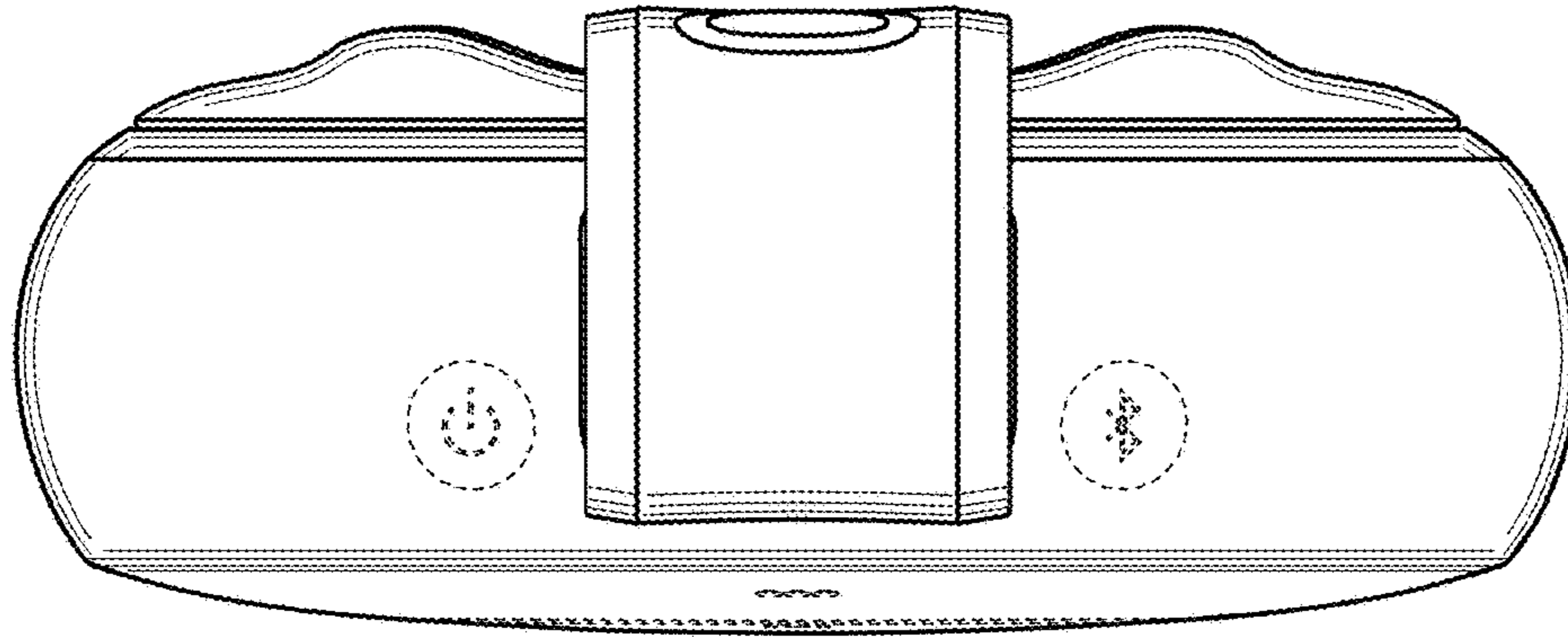


FIG. 13

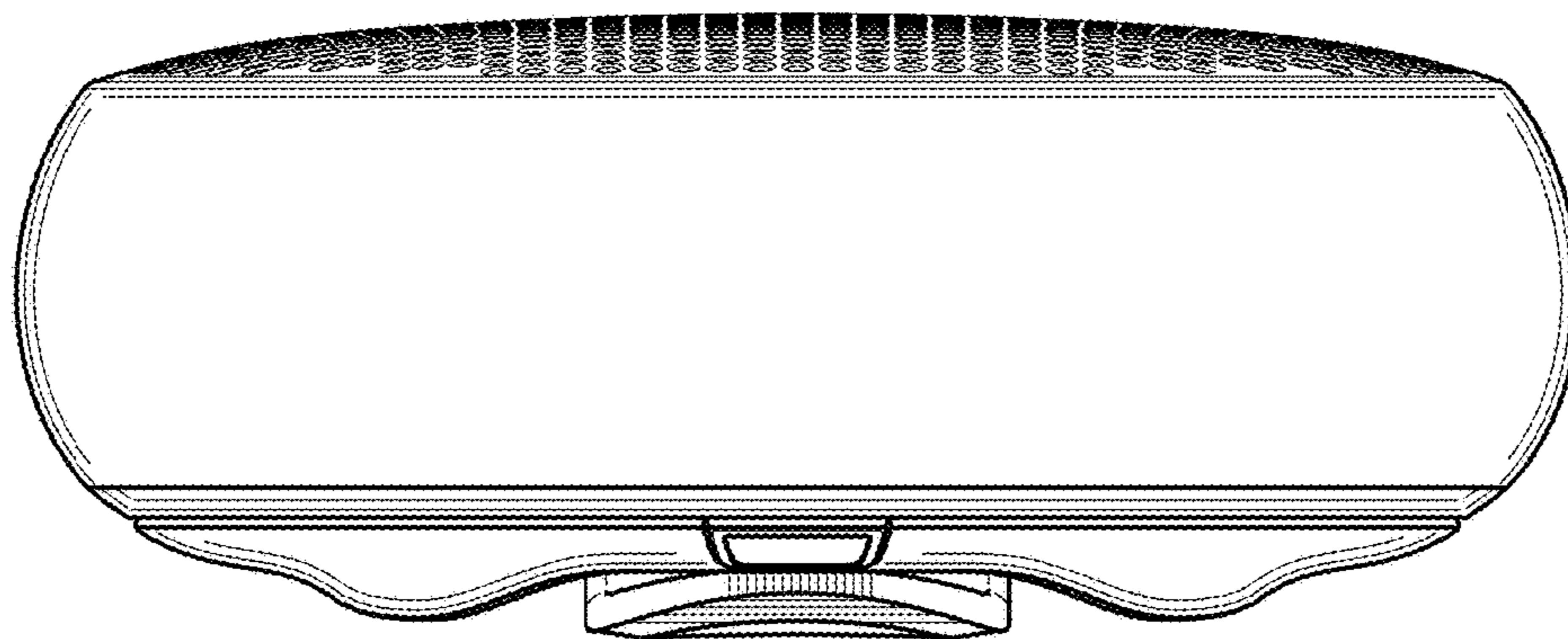


FIG. 14

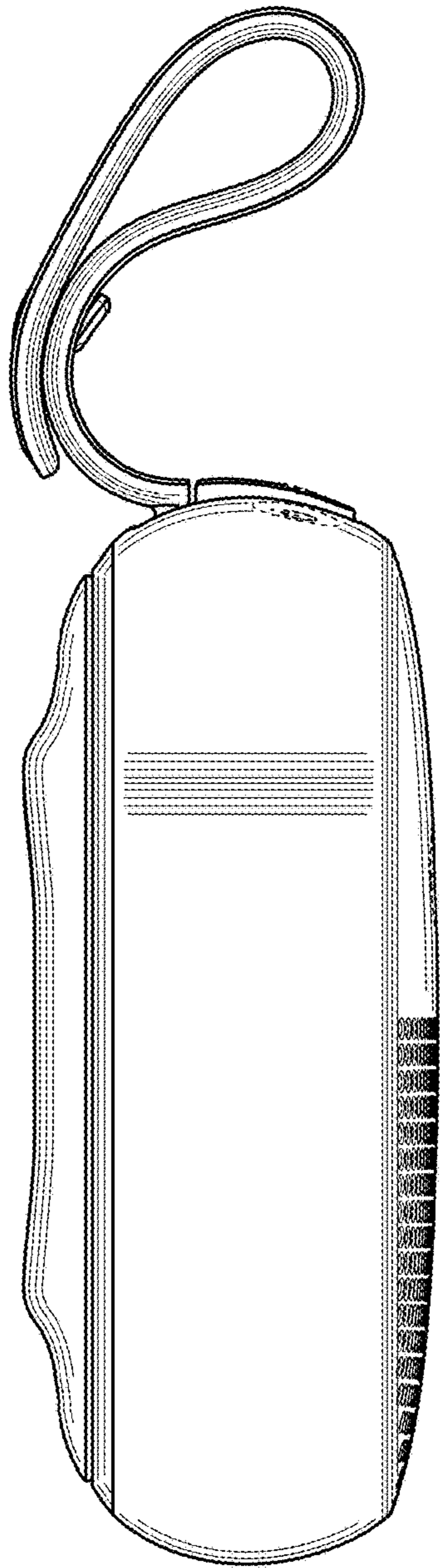


FIG. 15

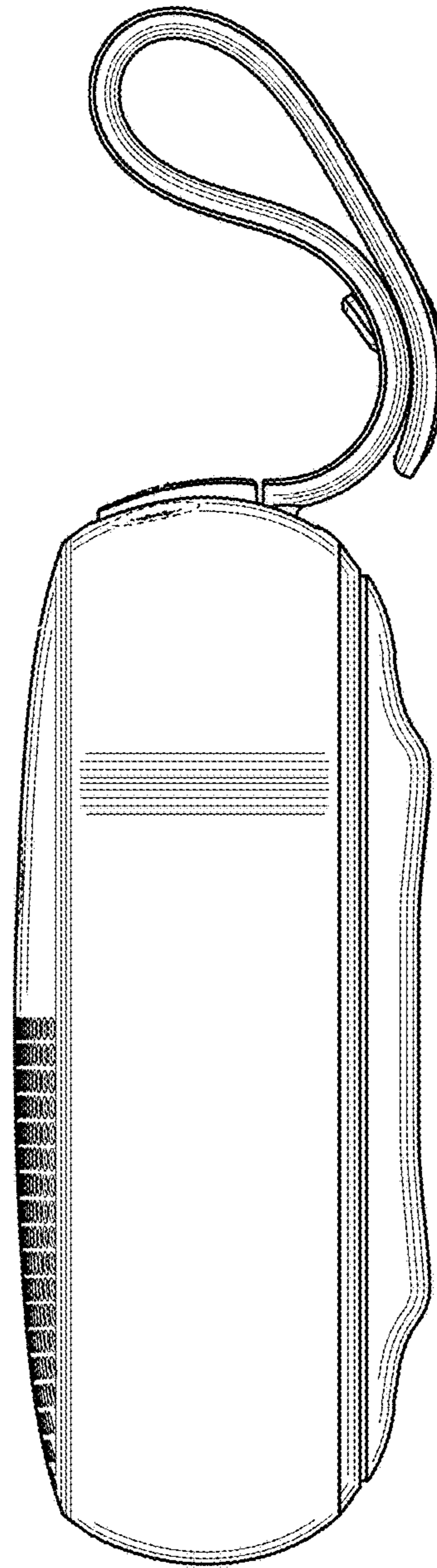


FIG. 16

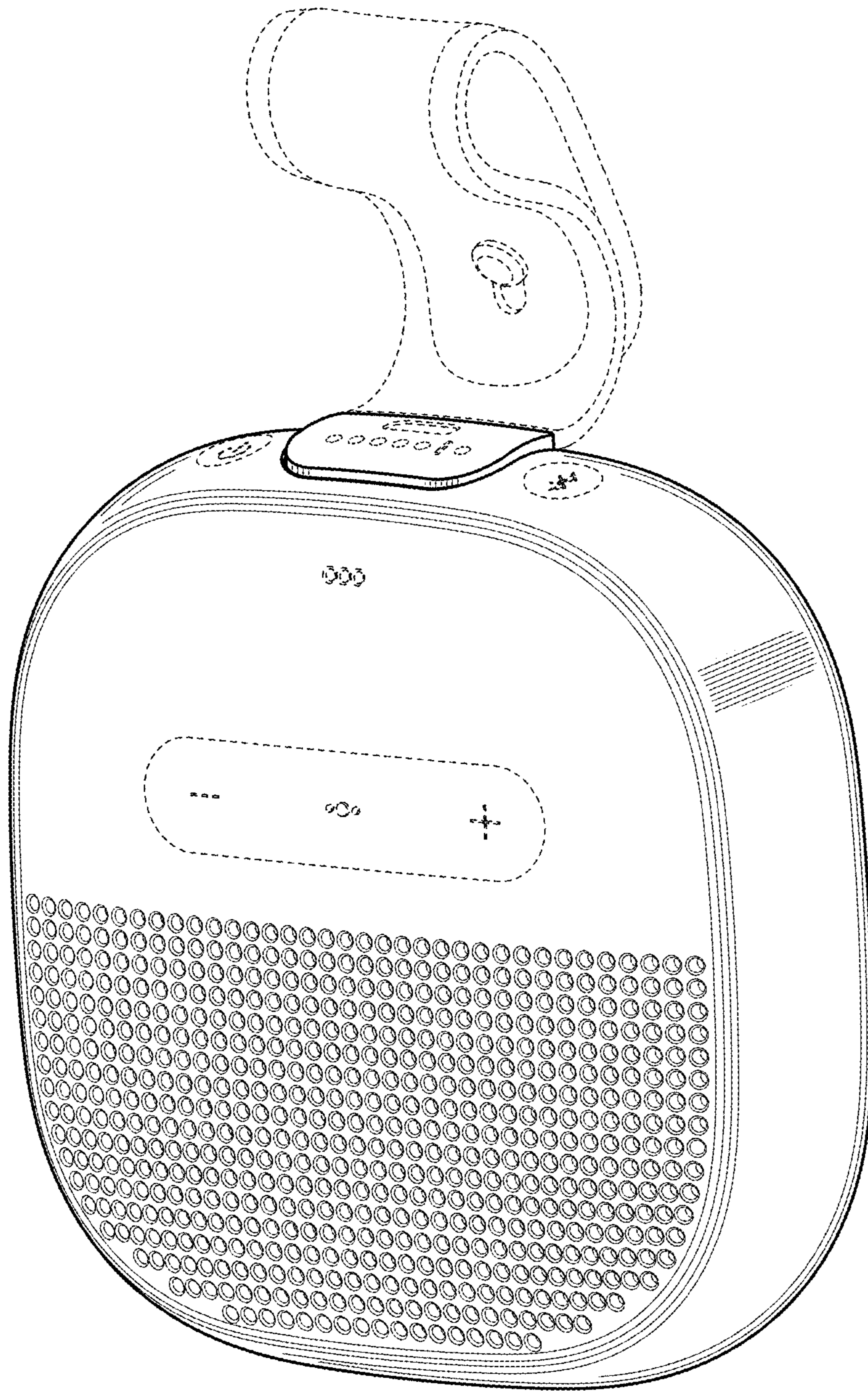


FIG. 17

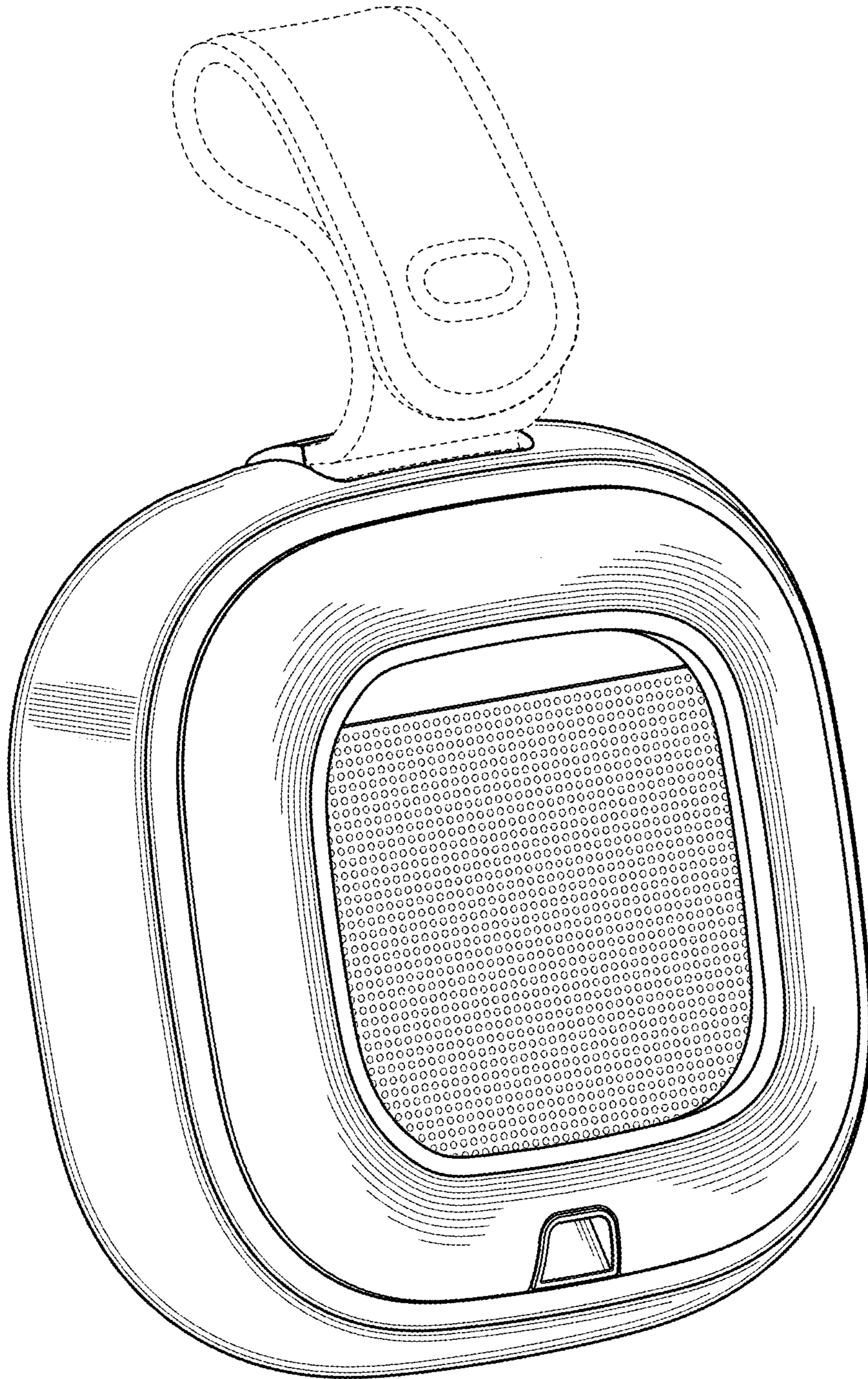


FIG. 18

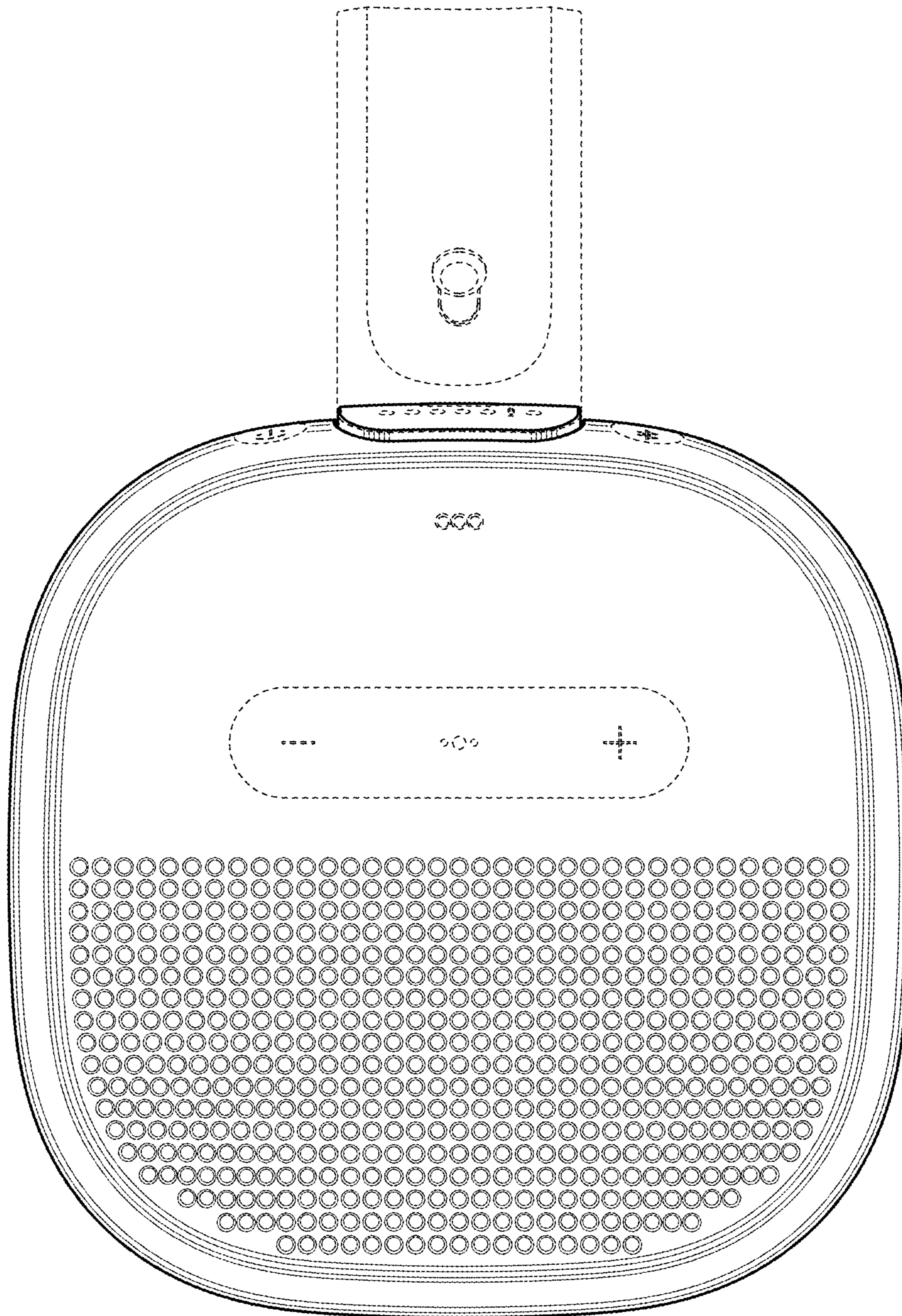


FIG. 19

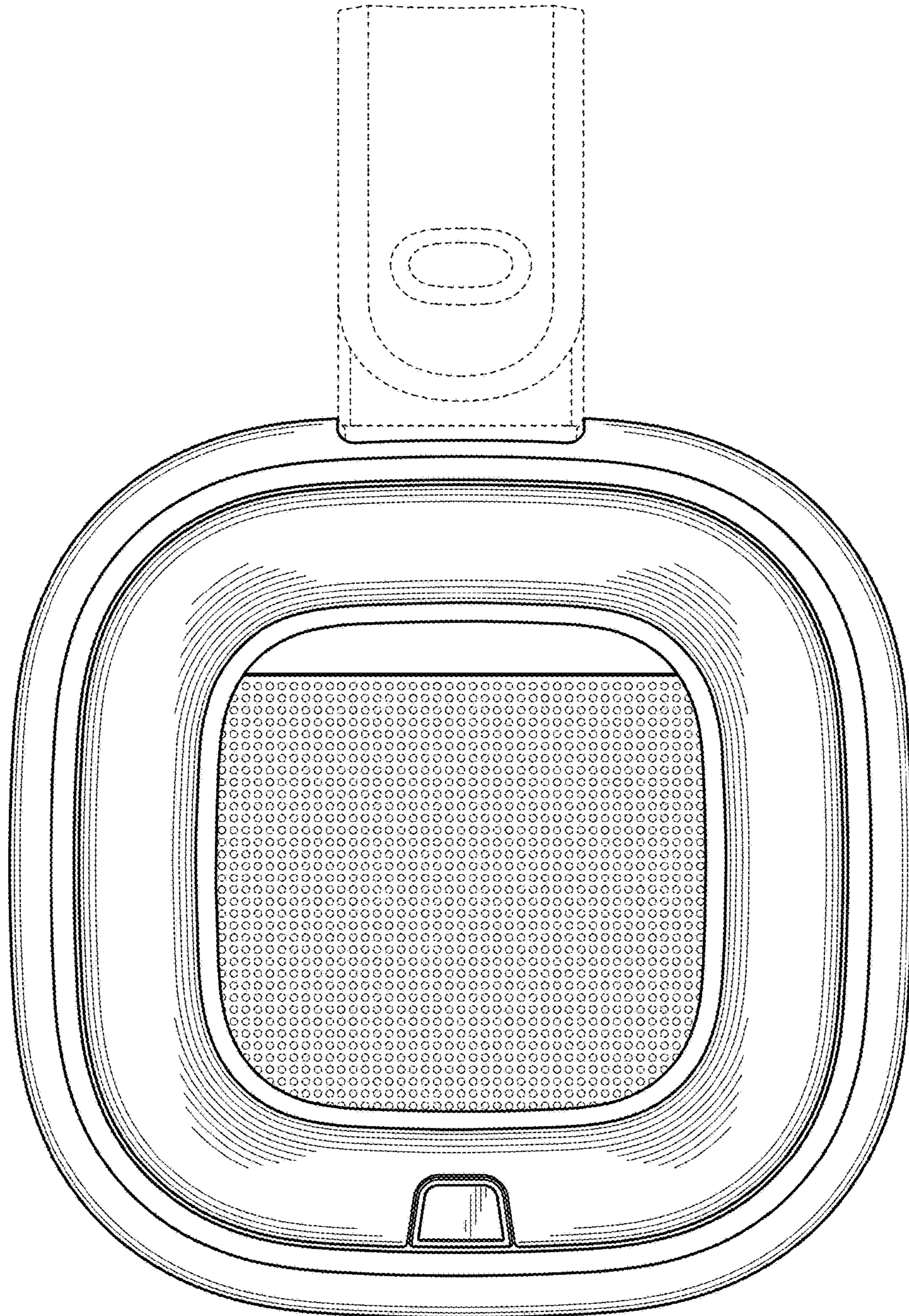


FIG. 20

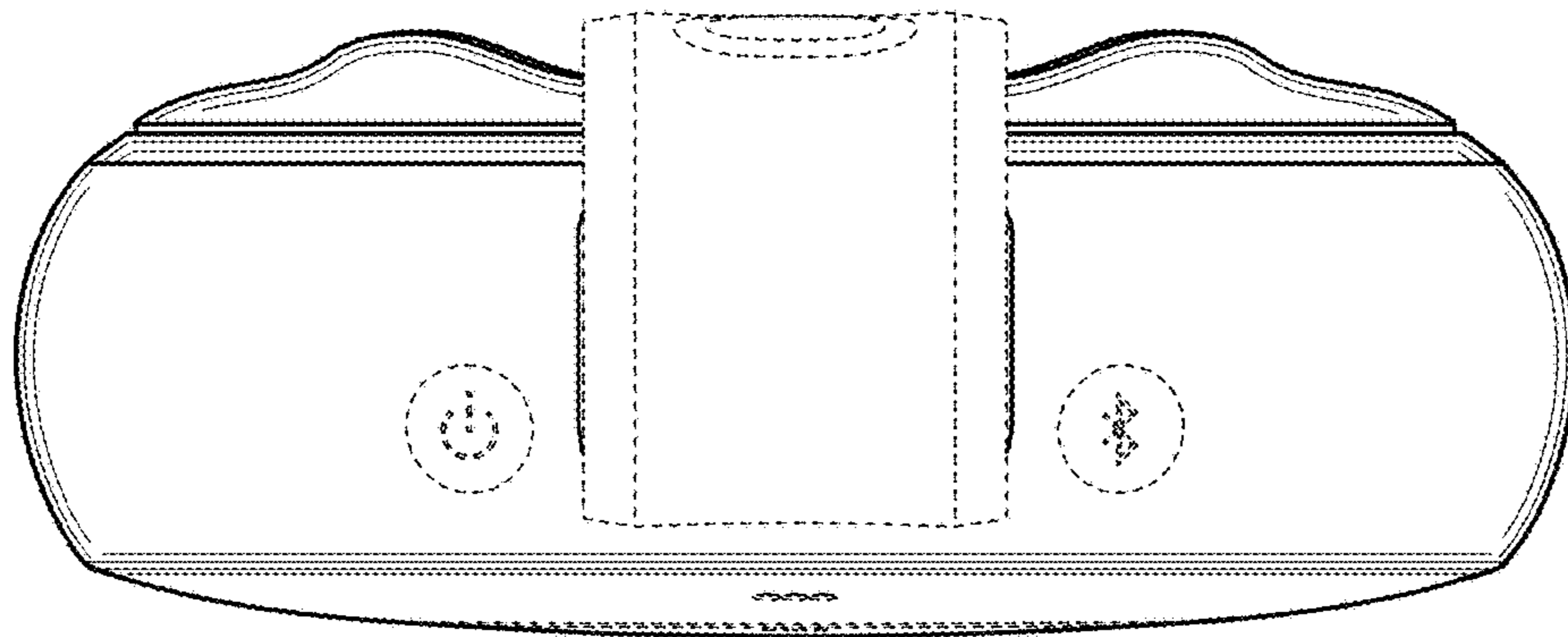


FIG. 21

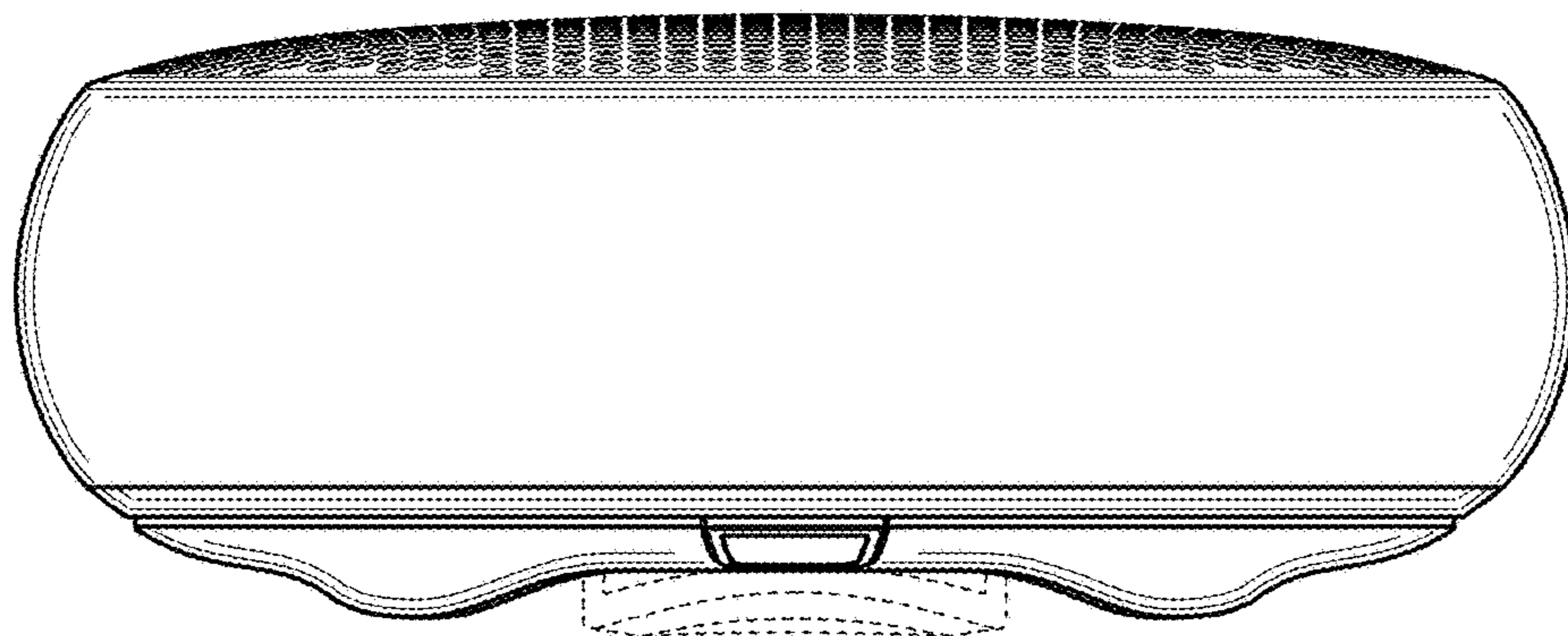


FIG. 22

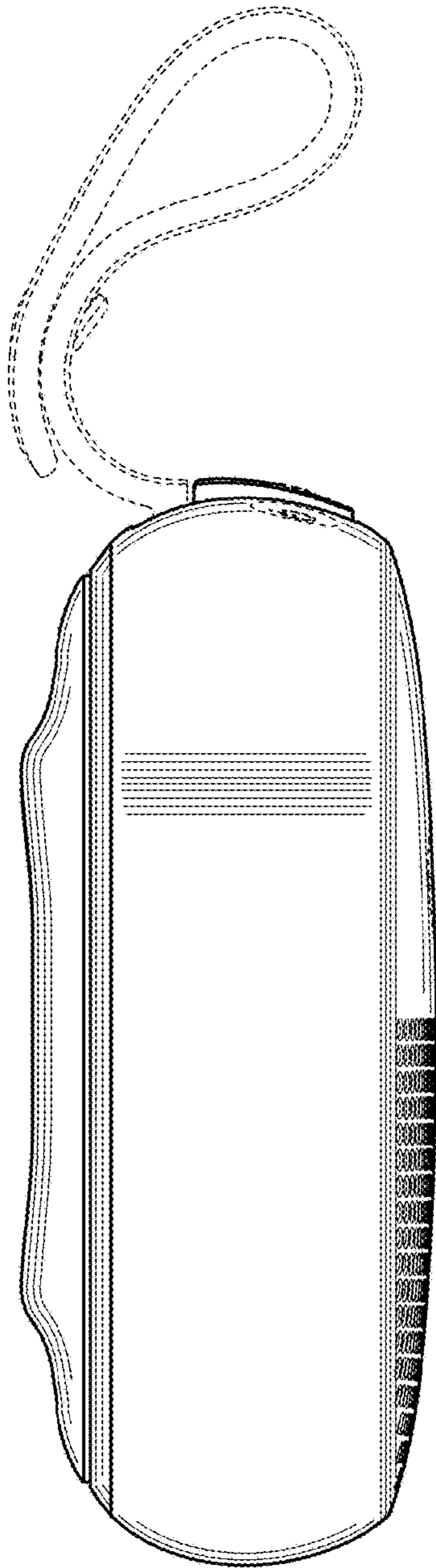


FIG. 23

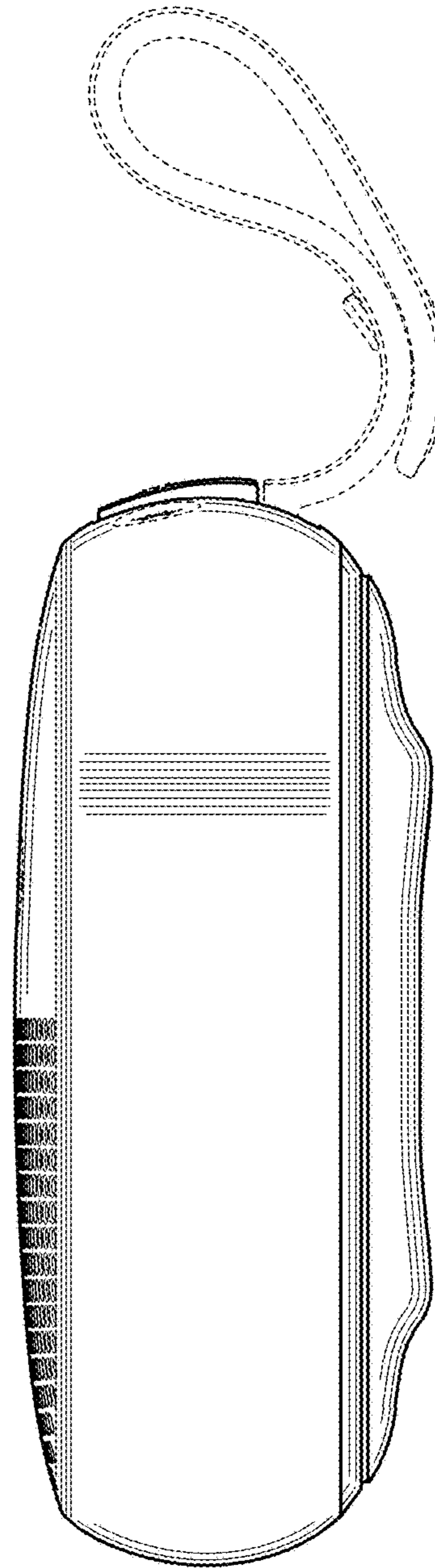


FIG. 24