



US00D830342S

(12) **United States Design Patent**
Henricksen

(10) **Patent No.:** **US D830,342 S**

(45) **Date of Patent:** **** Oct. 9, 2018**

(54) **LOUDSPEAKER**

(71) Applicant: **Ocean Way Audio, Inc.**, Burbank, CA
(US)

(72) Inventor: **Cliff Henricksen**, Framingham, MA
(US)

(73) Assignee: **Ocean Way Audio, Inc.**, Burbank, CA
(US)

(**) Term: **15 Years**

(21) Appl. No.: **29/544,623**

(22) Filed: **Nov. 4, 2015**

(51) **LOC (11) Cl.** **14-03**

(52) **U.S. Cl.**
USPC **D14/214**

(58) **Field of Classification Search**
USPC D14/167, 168, 170–172, 188, 194–196,
D14/204, 207, 209.1, 210–216, 219, 221,
D14/222, 224, 239, 496; 181/143, 144,
181/147, 148, 150, 153, 157, 198, 199;
381/300–303, 306, 332, 333, 336, 345,
381/361–364, 386–388; 369/6–12
CPC B60R 11/0217; G06F 1/1688; G10K 9/22;
G10K 11/004; H03F 1/327; H04M 1/03;
H04M 1/035; H04N 5/642; H04N
21/4852; H04R 1/02; H04R 1/06; H04R
1/021; H04R 1/025; H04R 1/026; H04R
1/028; H04R 1/105; H04R 1/323; H04R
1/403; H04R 1/2803; H04R 1/2834;
H04R 5/02; H04R 7/20; H04R 9/06;
H04R 9/025; H04R 2201/021; H04R
2400/00; H04R 2400/07; H04R 2499/11;
H04R 2499/13; H04R 2499/15; H04S
3/00; H04S 7/30

See application file for complete search history.

(56) **References Cited**

U.S. PATENT DOCUMENTS

D432,115 S *	10/2000	Juszkiewicz	D14/204
D519,105 S *	4/2006	Masui	D14/214
D586,330 S *	2/2009	Moore	D14/214
D598,427 S *	8/2009	Moore	D14/214
D640,668 S *	6/2011	Chern	D14/214
D671,913 S *	12/2012	Warden	D14/204
D780,158 S *	2/2017	Andrews	D14/210
D780,159 S *	2/2017	Andrews	D14/210
D804,447 S *	12/2017	Yoon	D14/210

* cited by examiner

Primary Examiner — Keli L. Hill

(74) *Attorney, Agent, or Firm* — Milord A. Keshishian

(57) **CLAIM**

The ornamental design for a loudspeaker, as shown and described.

DESCRIPTION

FIG. 1 is a perspective view showing the front, top, and right sides of the loudspeaker;

FIG. 2 is a front elevational view thereof;

FIG. 3 is a rear elevational view thereof;

FIG. 4 is a left elevational view thereof;

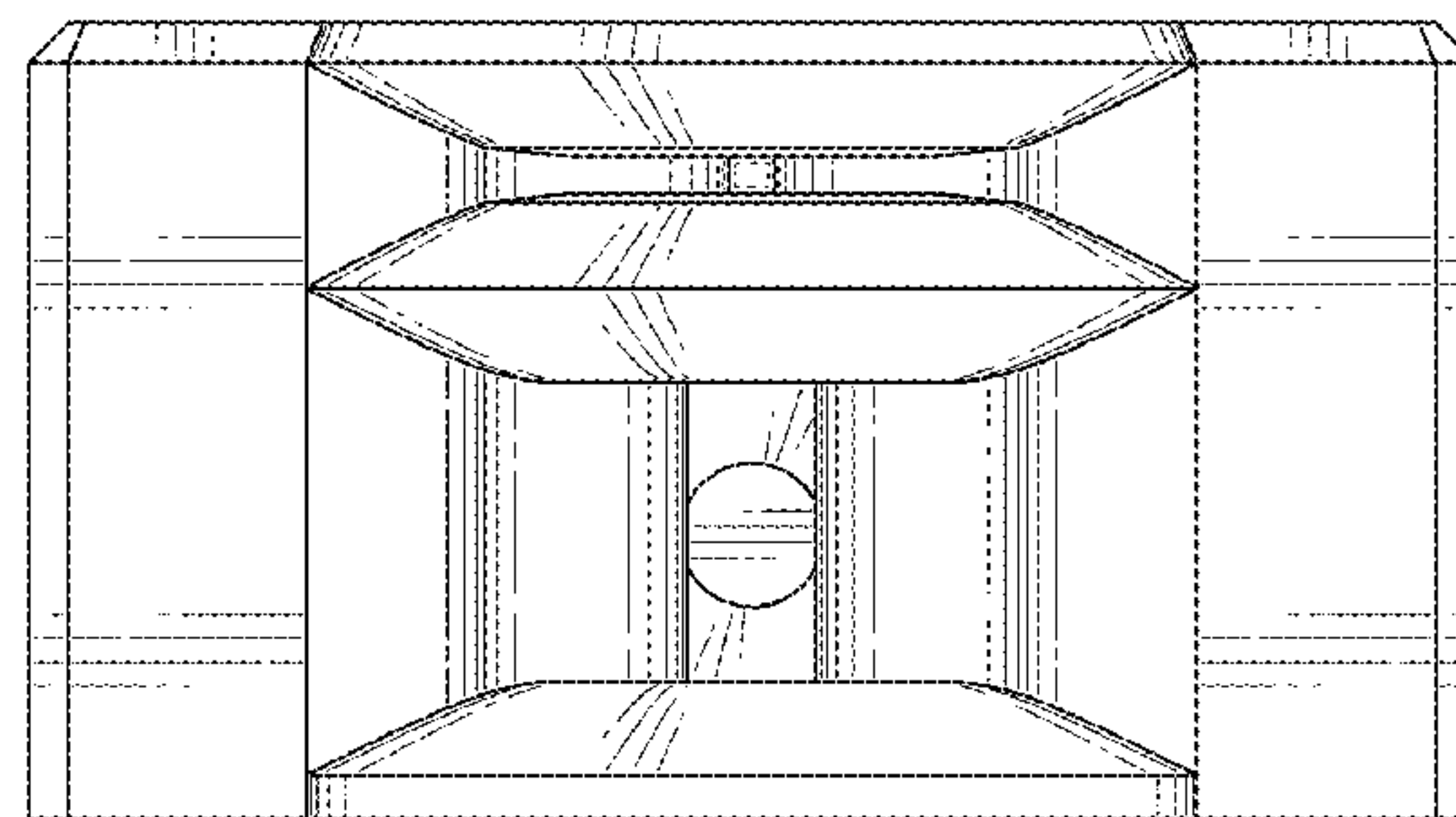
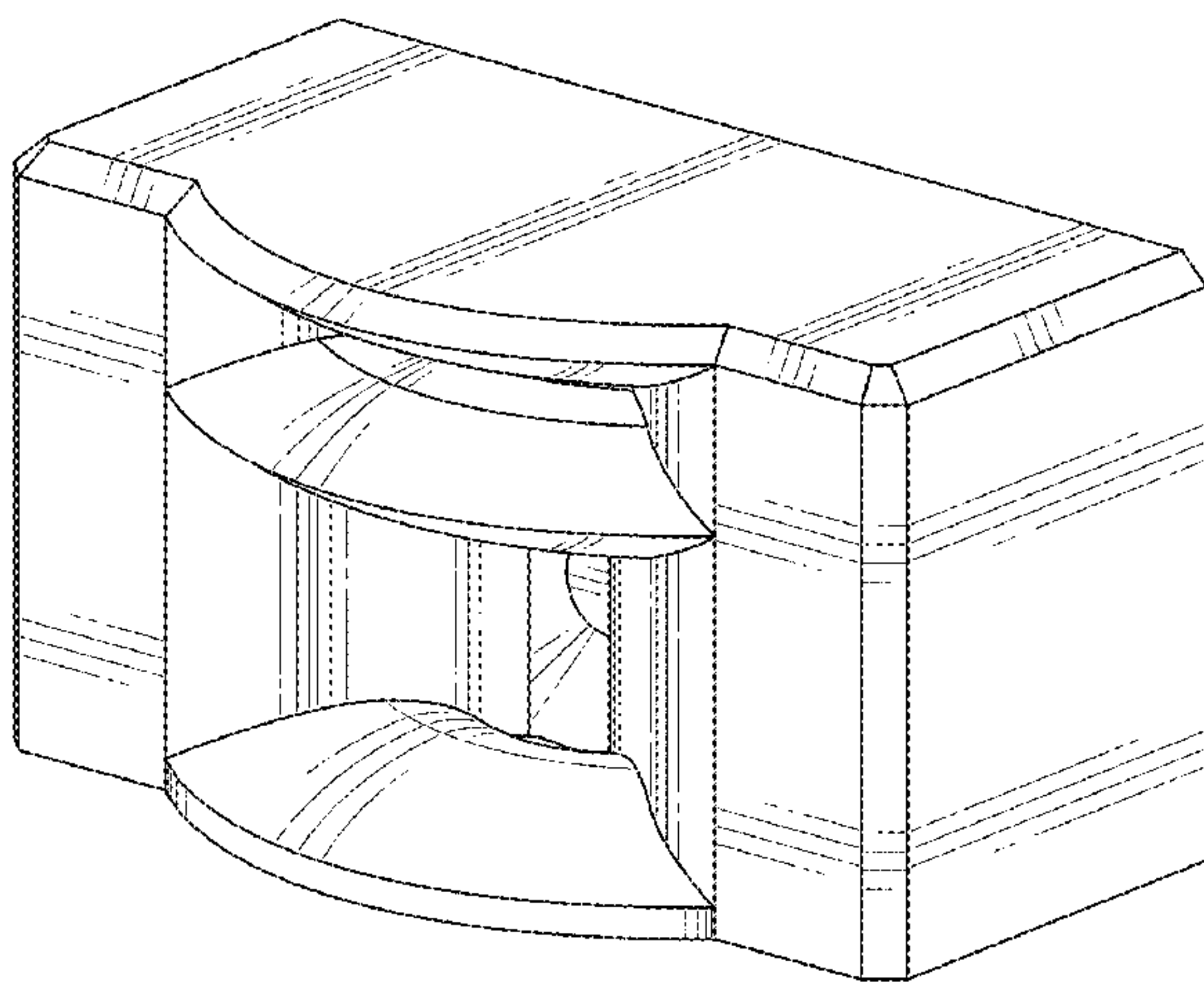
FIG. 5 is a right elevational view thereof;

FIG. 6 is a top plan view thereof; and,

FIG. 7 is a bottom plan view thereof.

In the drawings, the broken lines of FIG. 2 represent unclaimed portions of the loudspeaker and form no part of the claimed design.

1 Claim, 7 Drawing Sheets



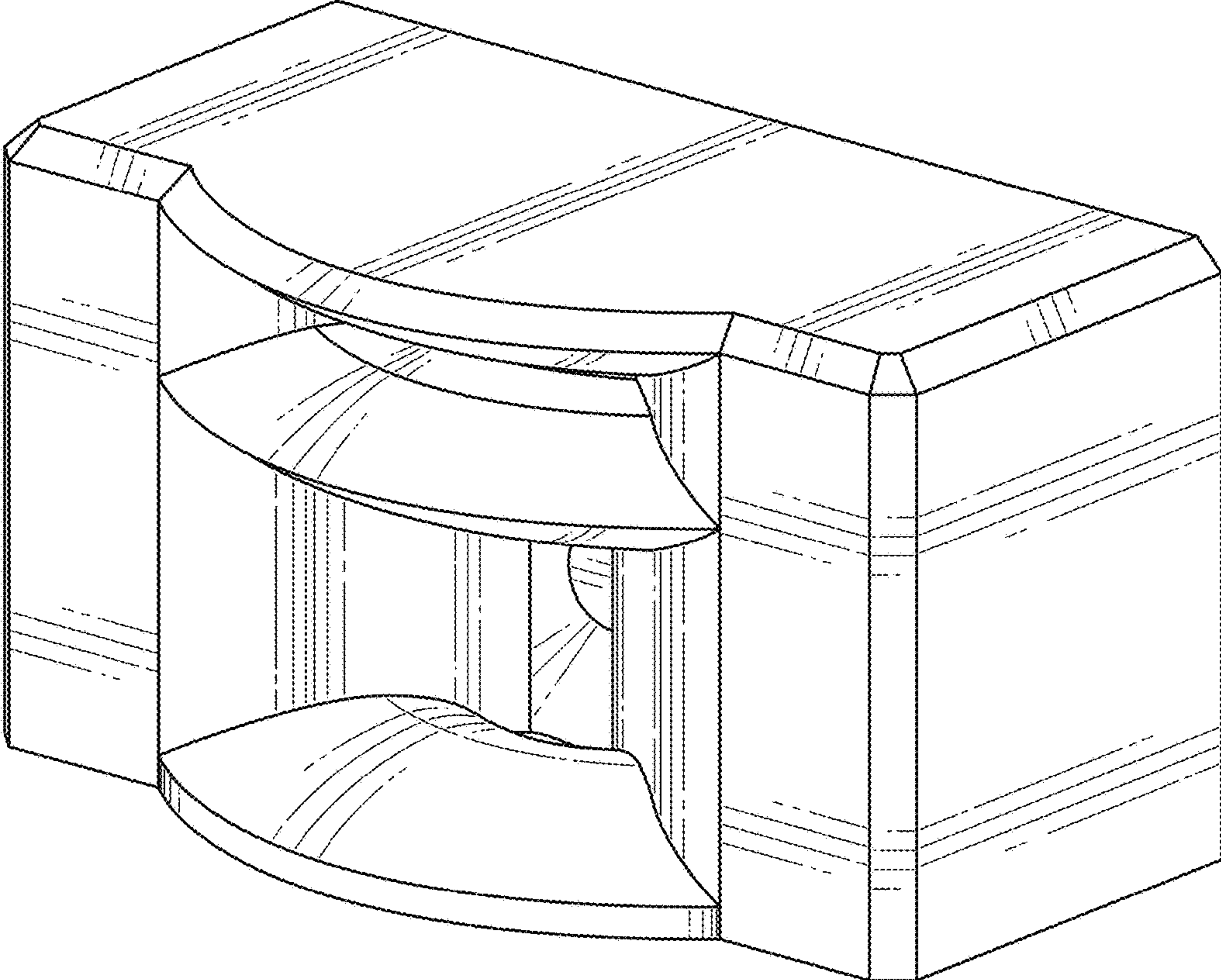


FIG. 1

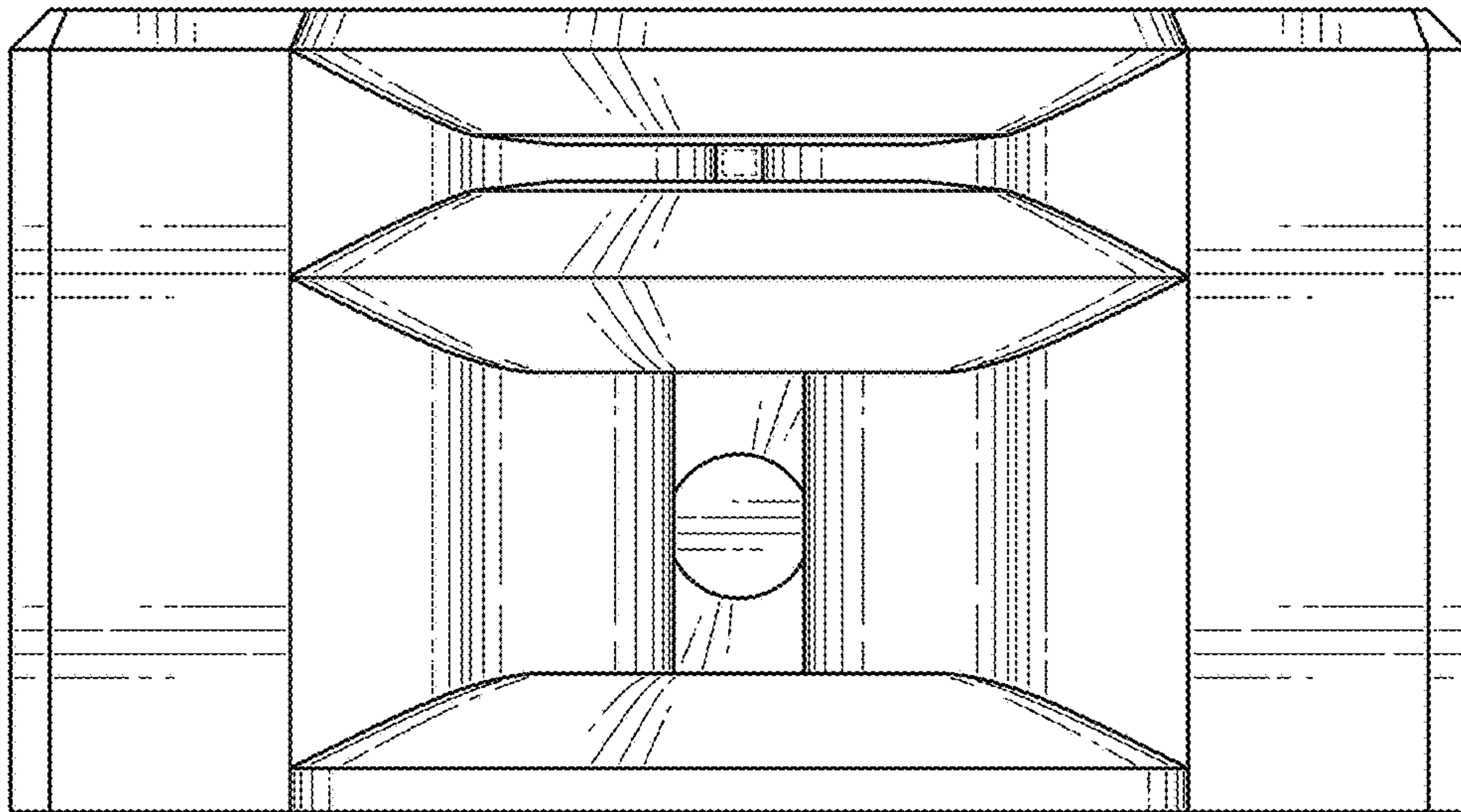


FIG. 2

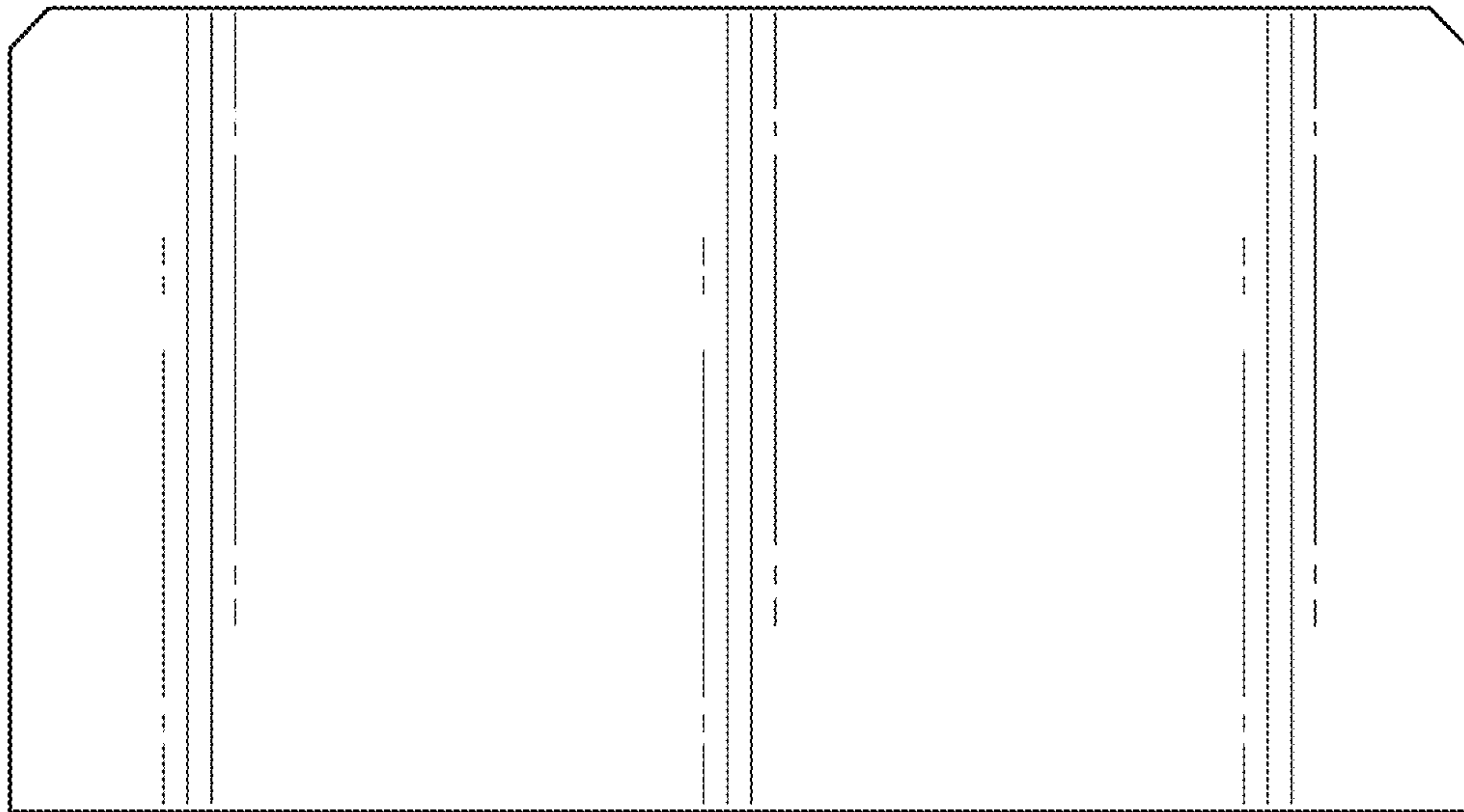


FIG. 3

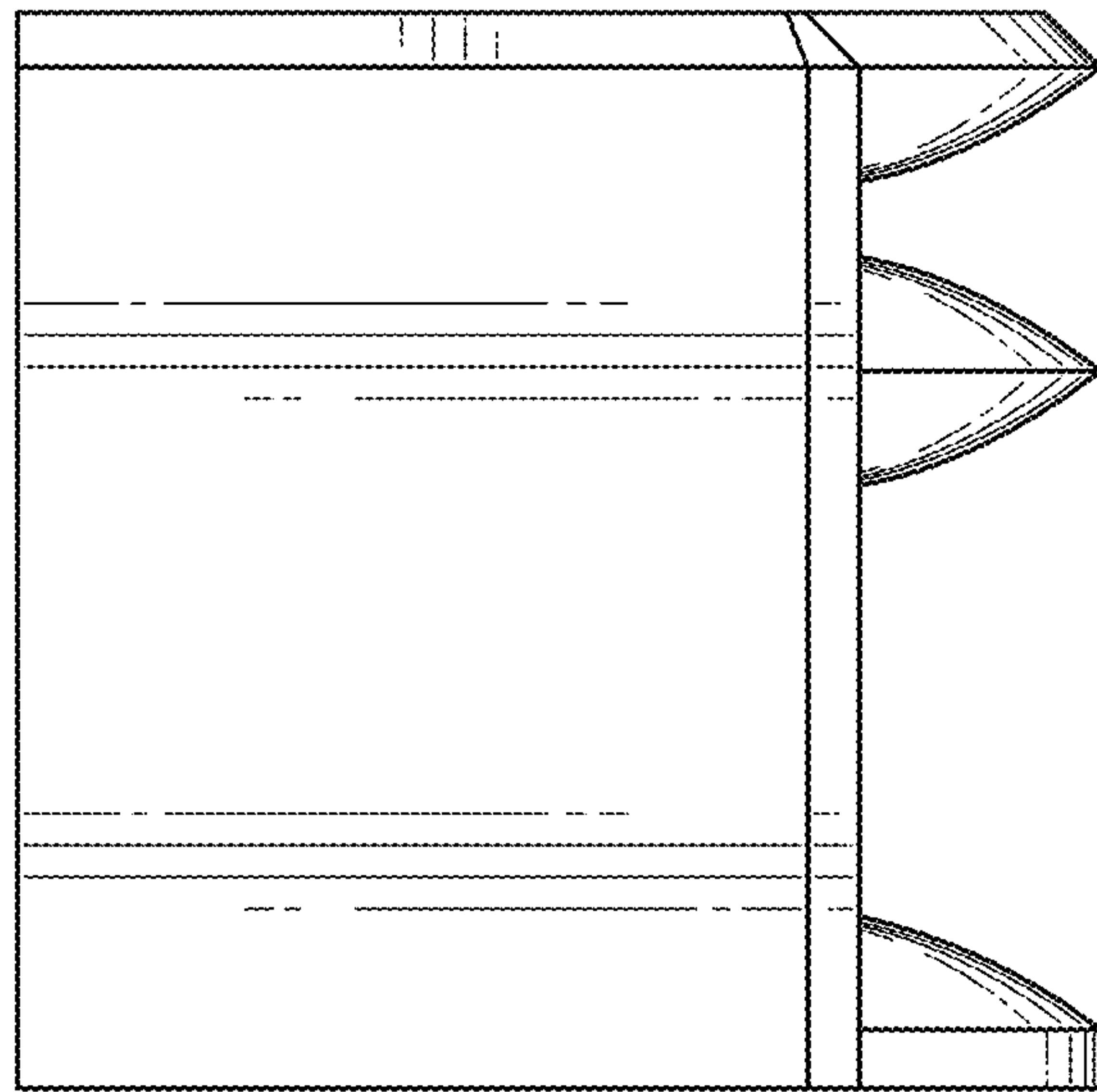


FIG. 4

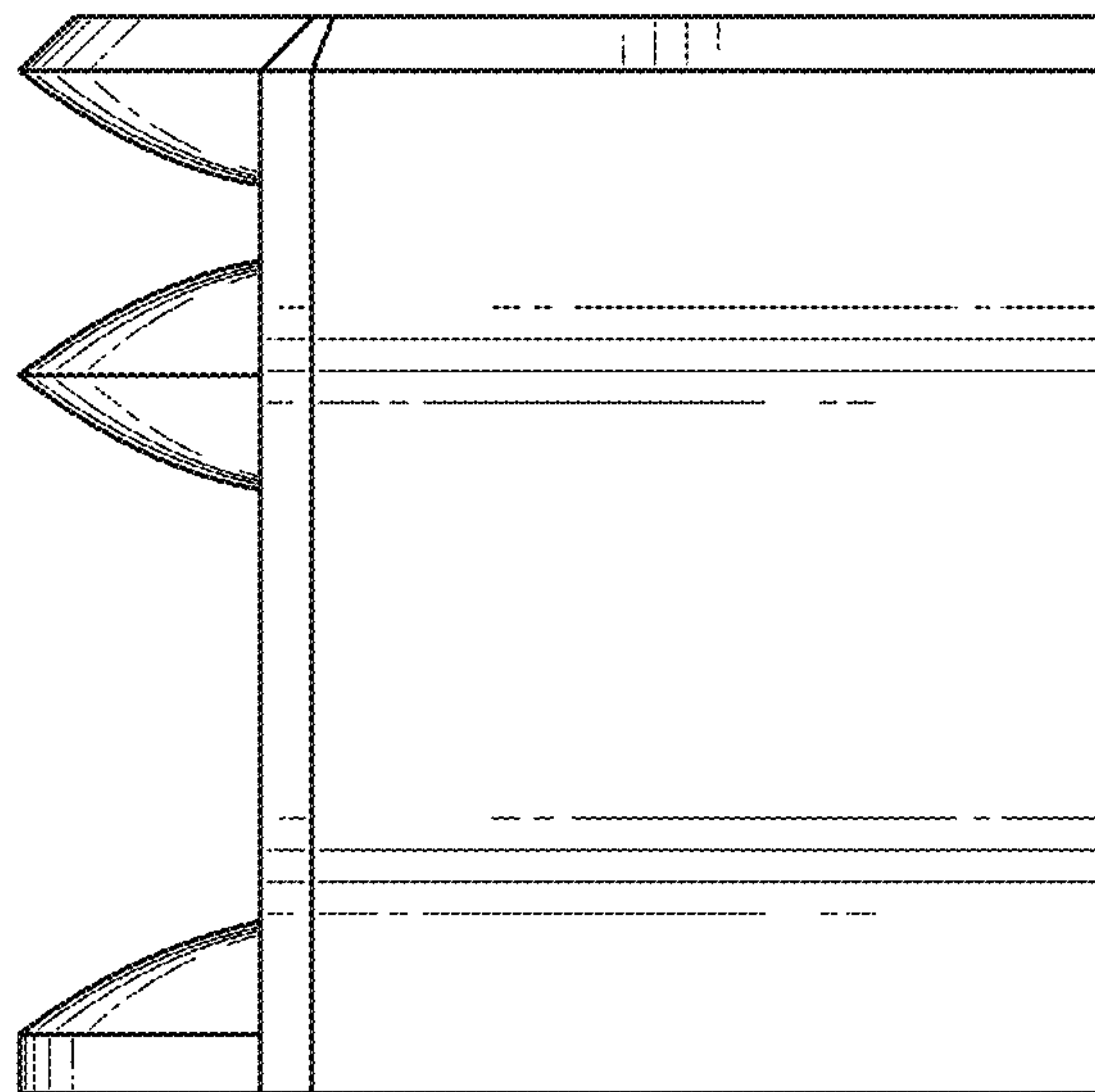


FIG. 5

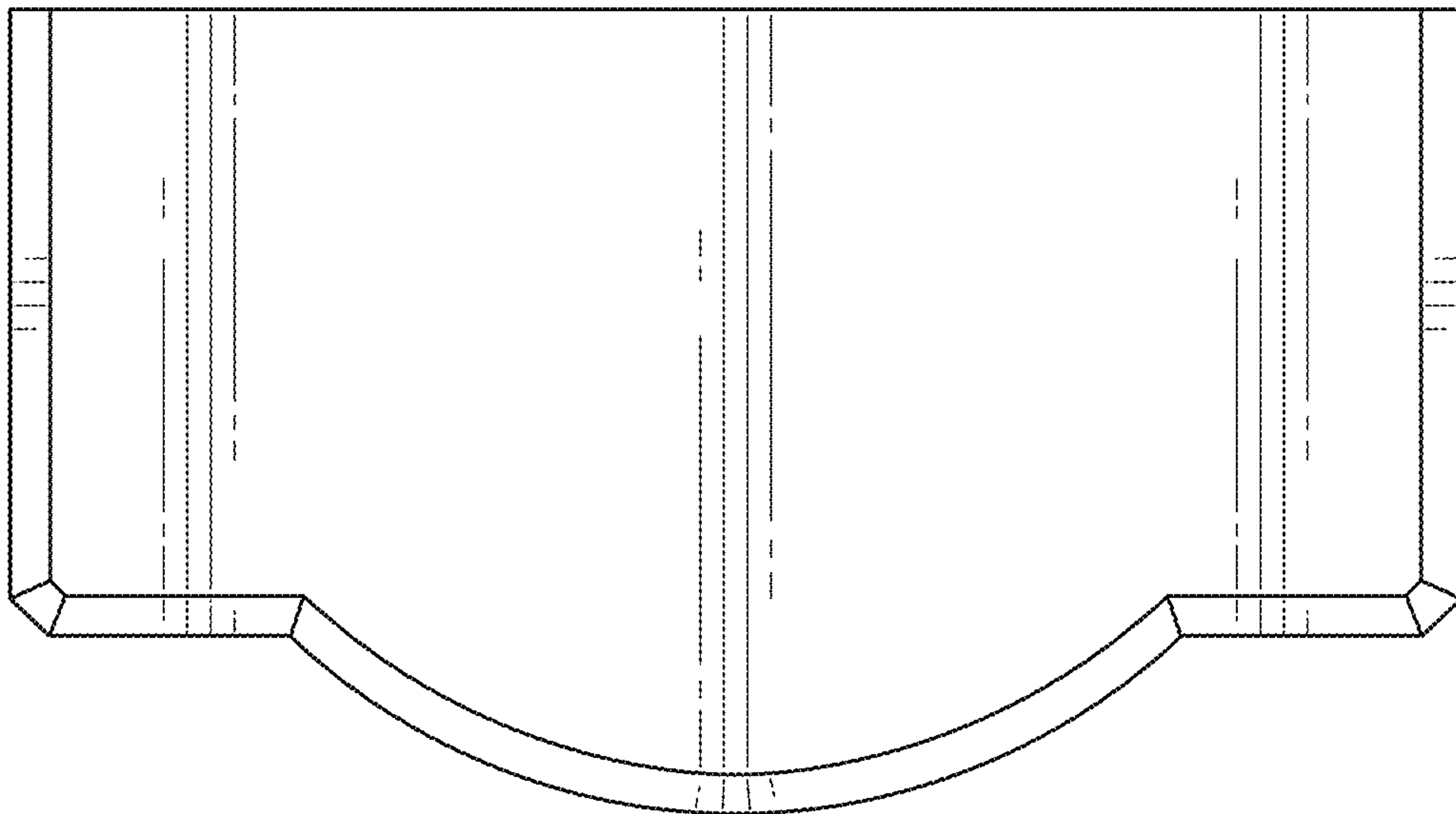


FIG. 6

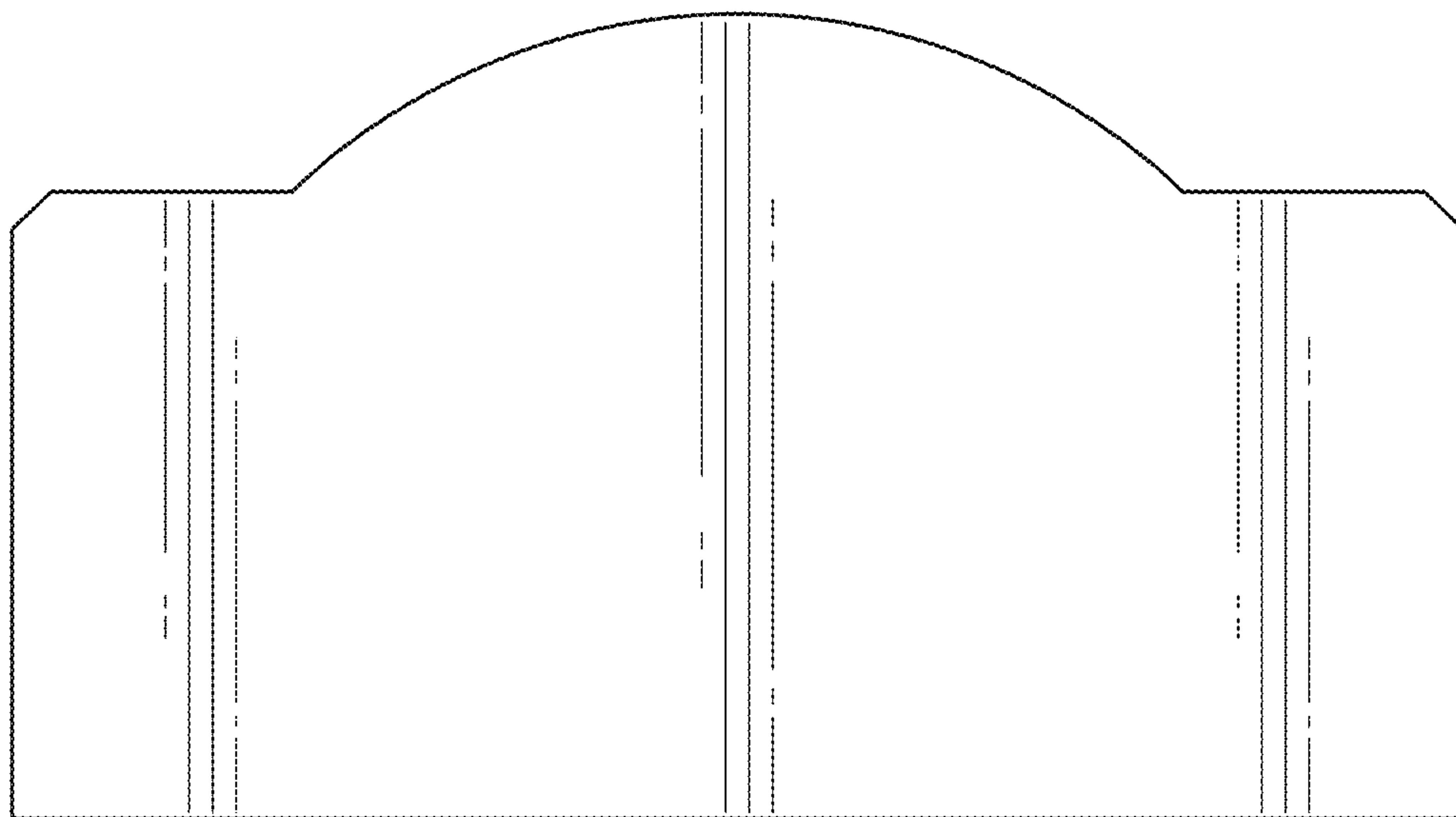


FIG. 7