



US00D830340S

(12) **United States Design Patent**  
**Usuru**

(10) **Patent No.:** **US D830,340 S**

(45) **Date of Patent:** **\*\* Oct. 9, 2018**

(54) **SPEAKER**

(71) Applicant: **YAMAHA CORPORATION**,  
Hamamatsu-shi (JP)

(72) Inventor: **Aketsuto Usuru**, Hamamatsu (JP)

(73) Assignee: **YAMAHA CORPORATION**,  
Hamamatsu-shi, Shizuoka (JP)

(\*\*) Term: **15 Years**

(21) Appl. No.: **29/603,616**

(22) Filed: **May 11, 2017**

(30) **Foreign Application Priority Data**

Nov. 14, 2016 (JP) ..... 2016-024749

(51) **LOC (11) Cl.** ..... **14-01**

(52) **U.S. Cl.**  
USPC ..... **D14/209**

(58) **Field of Classification Search**

USPC ..... D14/204, 207, 209, 210, 212, 213, 214,  
D14/215, 216, 172; D23/213; D26/85,  
D26/72; 181/143, 144, 147, 148, 150,  
181/151, 153, 157, 198, 199;  
381/300-302, 306, 333, 345, 361-364,  
381/386-388, 332, 336  
CPC . H04R 11/02; H04R 9/06; H04R 1/02; H05K  
5/00

See application file for complete search history.

(56) **References Cited**

**U.S. PATENT DOCUMENTS**

D238,185 S \* 12/1975 Wellward ..... D14/209  
D242,151 S \* 11/1976 Ward ..... D14/209  
D247,562 S \* 3/1978 Walker ..... D14/209  
D254,251 S \* 2/1980 Ward ..... D14/211  
4,574,906 A \* 3/1986 White ..... H04R 1/26  
181/145  
D285,067 S \* 8/1986 Delbuck ..... D14/209

D292,702 S \* 11/1987 White ..... D14/212  
D303,970 S \* 10/1989 Collins ..... D14/204  
5,133,428 A \* 7/1992 Perrson ..... B60R 11/0217  
181/153  
D342,738 S \* 12/1993 Hwang ..... D14/213  
5,400,407 A \* 3/1995 Cassity ..... H04R 1/025  
181/150  
5,903,657 A \* 5/1999 Chuo ..... H04R 5/02  
361/679.23  
5,960,095 A \* 9/1999 Chang ..... H04R 1/323  
181/150

(Continued)

*Primary Examiner* — Paula Allen Greene

(74) *Attorney, Agent, or Firm* — Sughrue Mion, PLLC

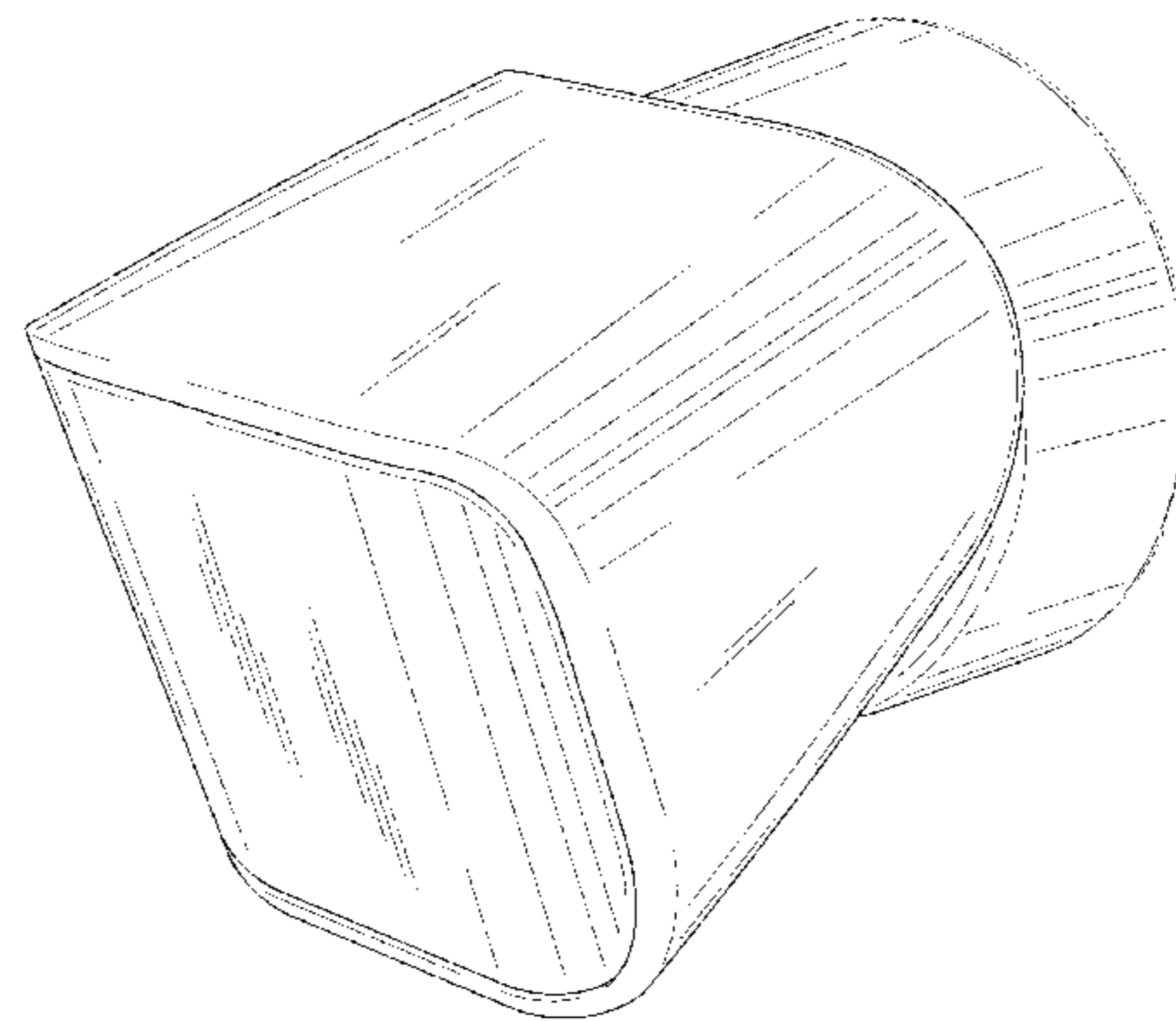
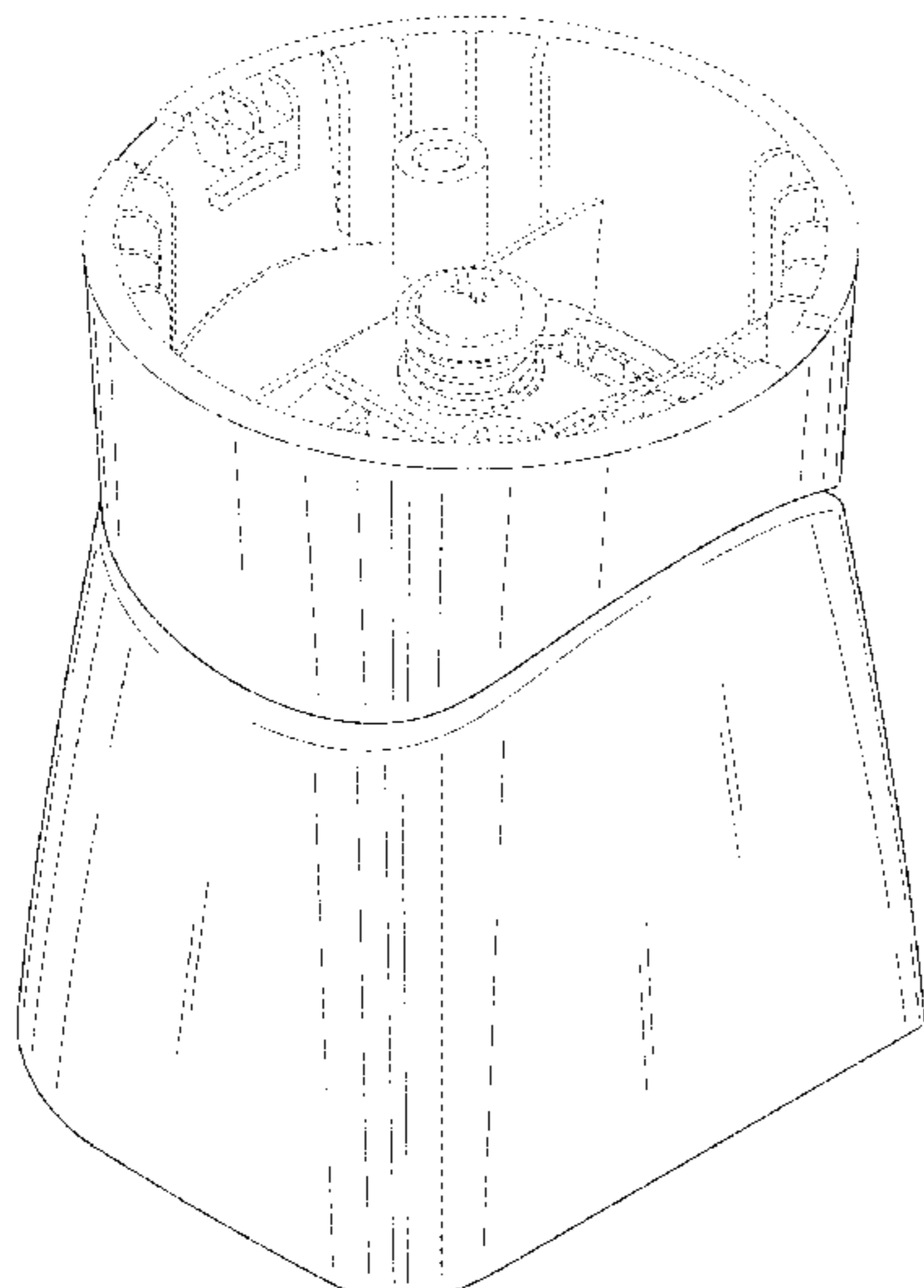
(57) **CLAIM**

The ornamental design for a speaker, as shown and described.

**DESCRIPTION**

FIG. 1 is a perspective view of the front, bottom and right side of a speaker showing my new design;  
FIG. 2 is a perspective view of the front, top and right side thereof;  
FIG. 3 is a front view thereof;  
FIG. 4 is a rear view thereof;  
FIG. 5 is a left side view thereof;  
FIG. 6 is a right side view thereof;  
FIG. 7 is a top plan view thereof;  
FIG. 8 is a bottom view thereof;  
FIG. 9 is a perspective view in an alternate position thereof;  
and,  
FIG. 10 is a right side view in the alternate position thereof.  
The broken line showing of the speaker is included for the purpose of illustrating unclaimed portions of the speaker and forms no part of the claimed design. The dash-dot-dash line in the figures represents a boundary between claimed and unclaimed subject matter.

**1 Claim, 10 Drawing Sheets**



(56)

**References Cited**

U.S. PATENT DOCUMENTS

D430,142	S *	8/2000	Kuo .....	D14/211
D474,173	S *	5/2003	Right .....	D14/209
D484,492	S *	12/2003	Welker .....	D14/216
D518,029	S *	3/2006	Tsang .....	D14/216
D533,537	S *	12/2006	Reardon .....	D14/172
D554,619	S *	11/2007	Solland .....	D14/215
D584,290	S *	1/2009	Lee .....	D14/216
D607,876	S *	1/2010	Huang .....	D14/216
D610,572	S *	2/2010	Skurdal .....	D14/216
D612,837	S *	3/2010	Murray .....	D14/216
D617,310	S *	6/2010	Tatara .....	D14/209
D628,979	S *	12/2010	Yagi .....	D14/214
8,014,545	B2 *	9/2011	Grant .....	H04R 1/025 181/150
D656,486	S *	3/2012	Parraga Gimeno .....	D14/216
D672,748	S *	12/2012	Burlingame, III .....	D14/214
D674,779	S *	1/2013	Joseph .....	D14/214
D683,311	S *	5/2013	Siminoff .....	D13/108
D694,218	S *	11/2013	Szymanski .....	D14/216
D697,046	S *	1/2014	Hanna .....	D14/204
D800,687	S *	10/2017	Kim .....	D14/204
2005/0226454	A1 *	10/2005	Lam .....	H04R 1/028 381/386

\* cited by examiner

Fig. 1

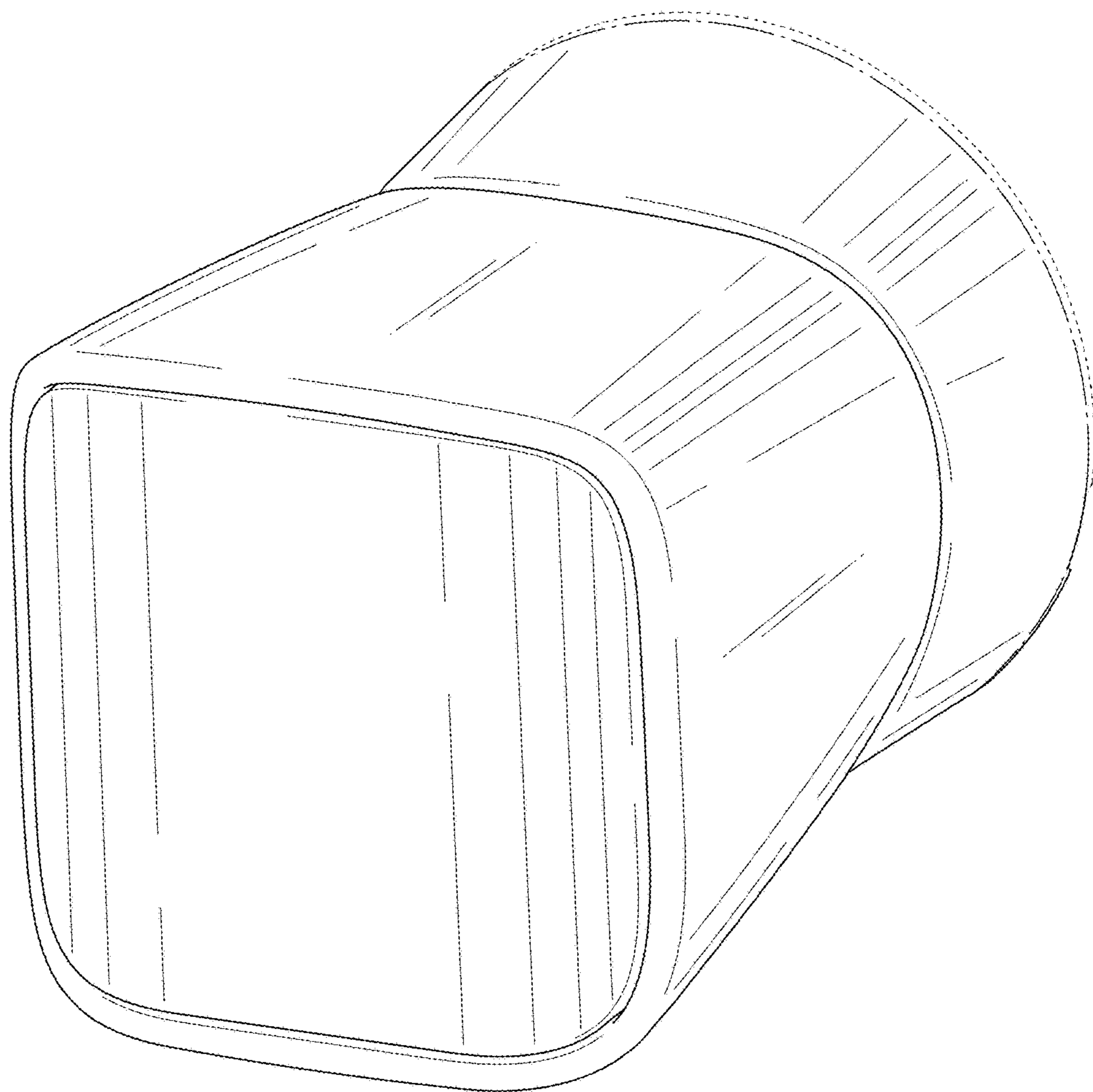


Fig. 2

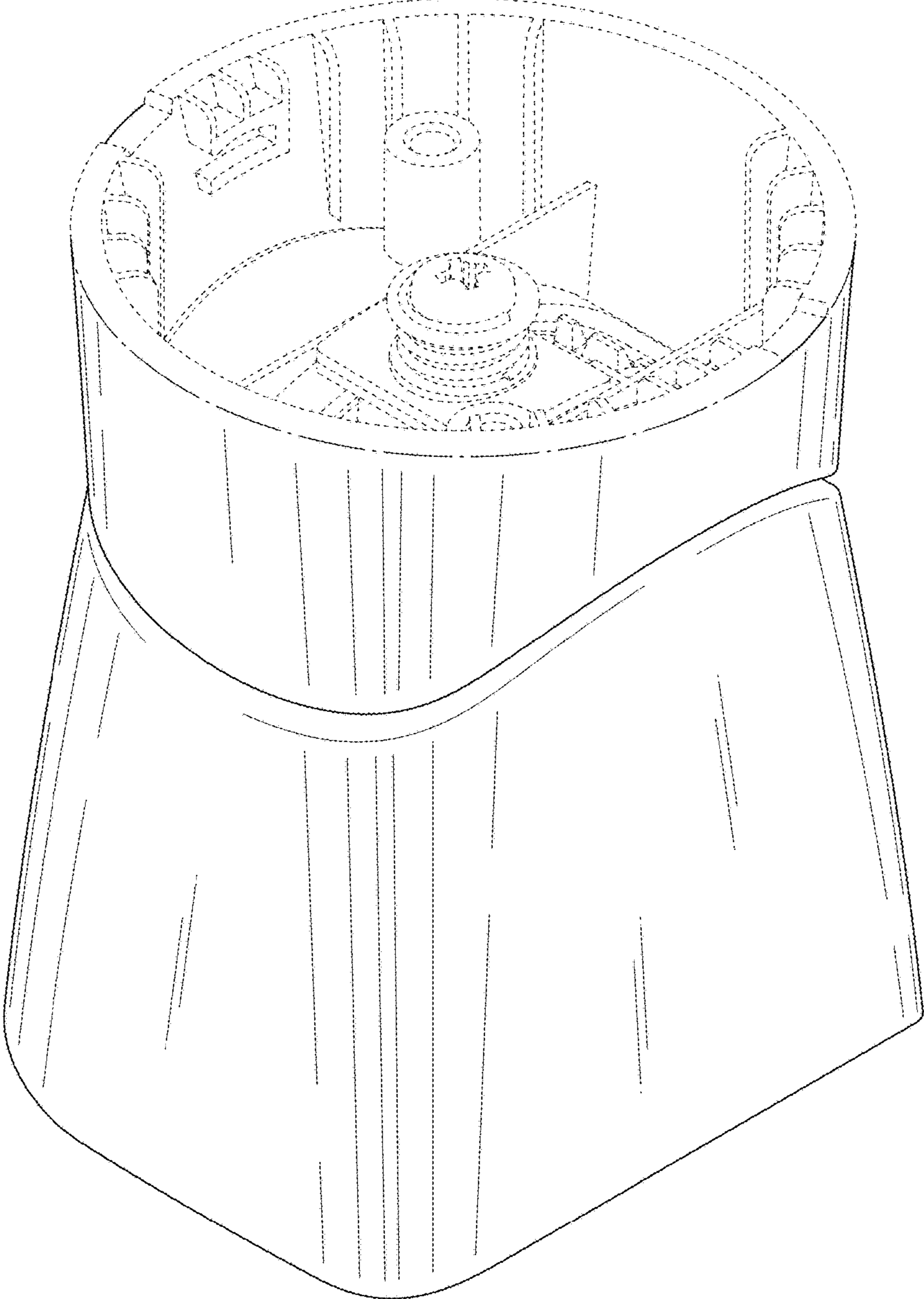


Fig. 3

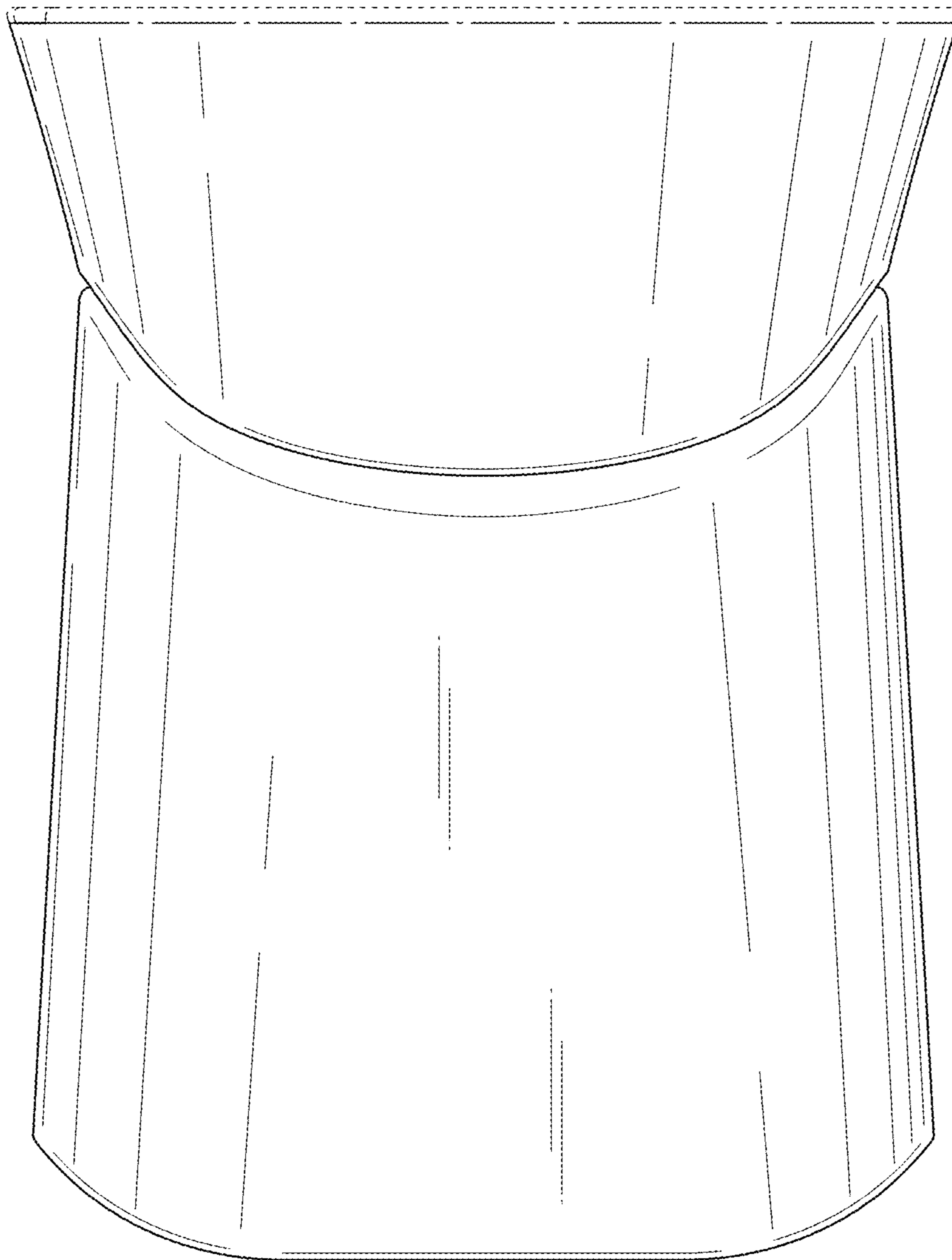


Fig. 4

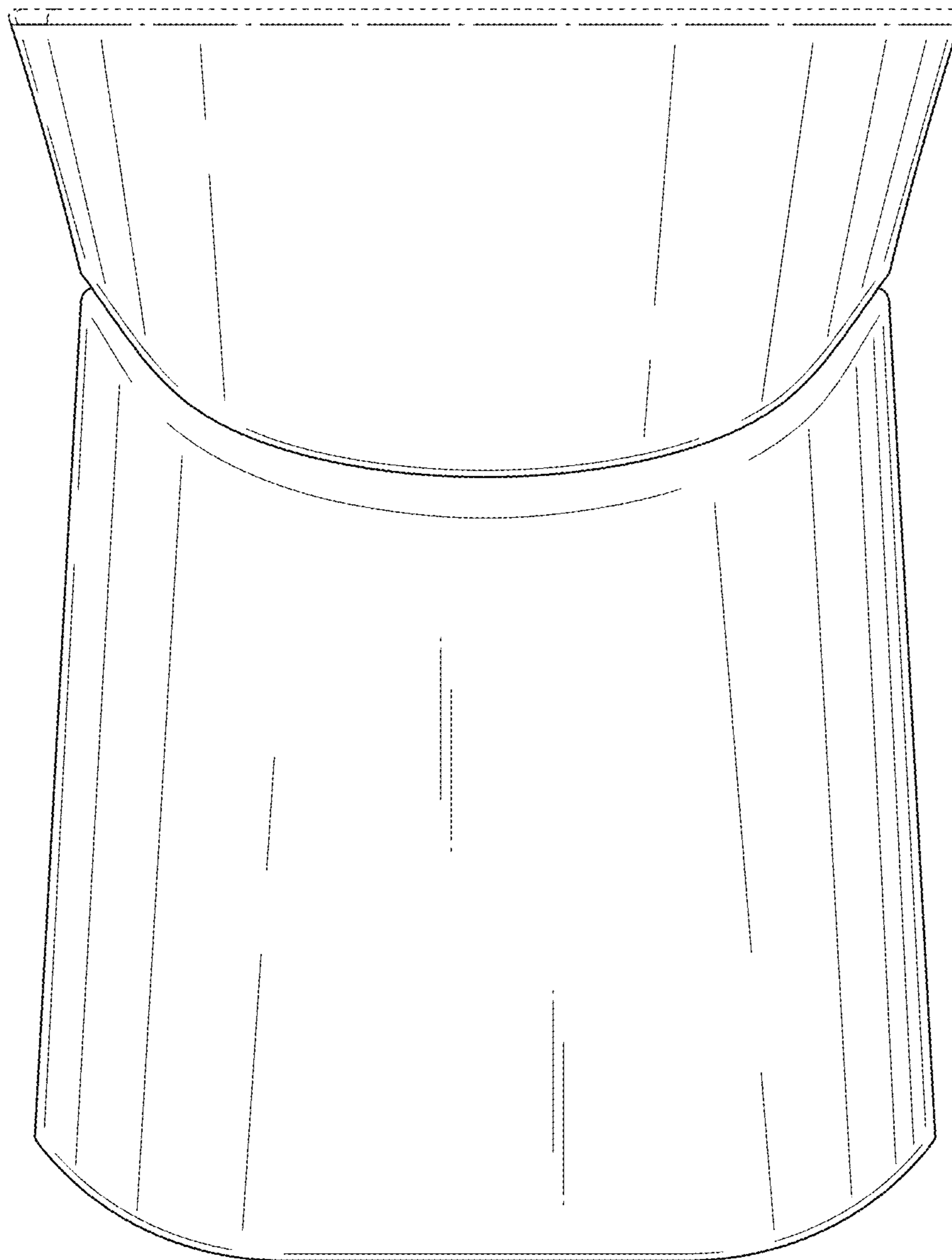


Fig. 5

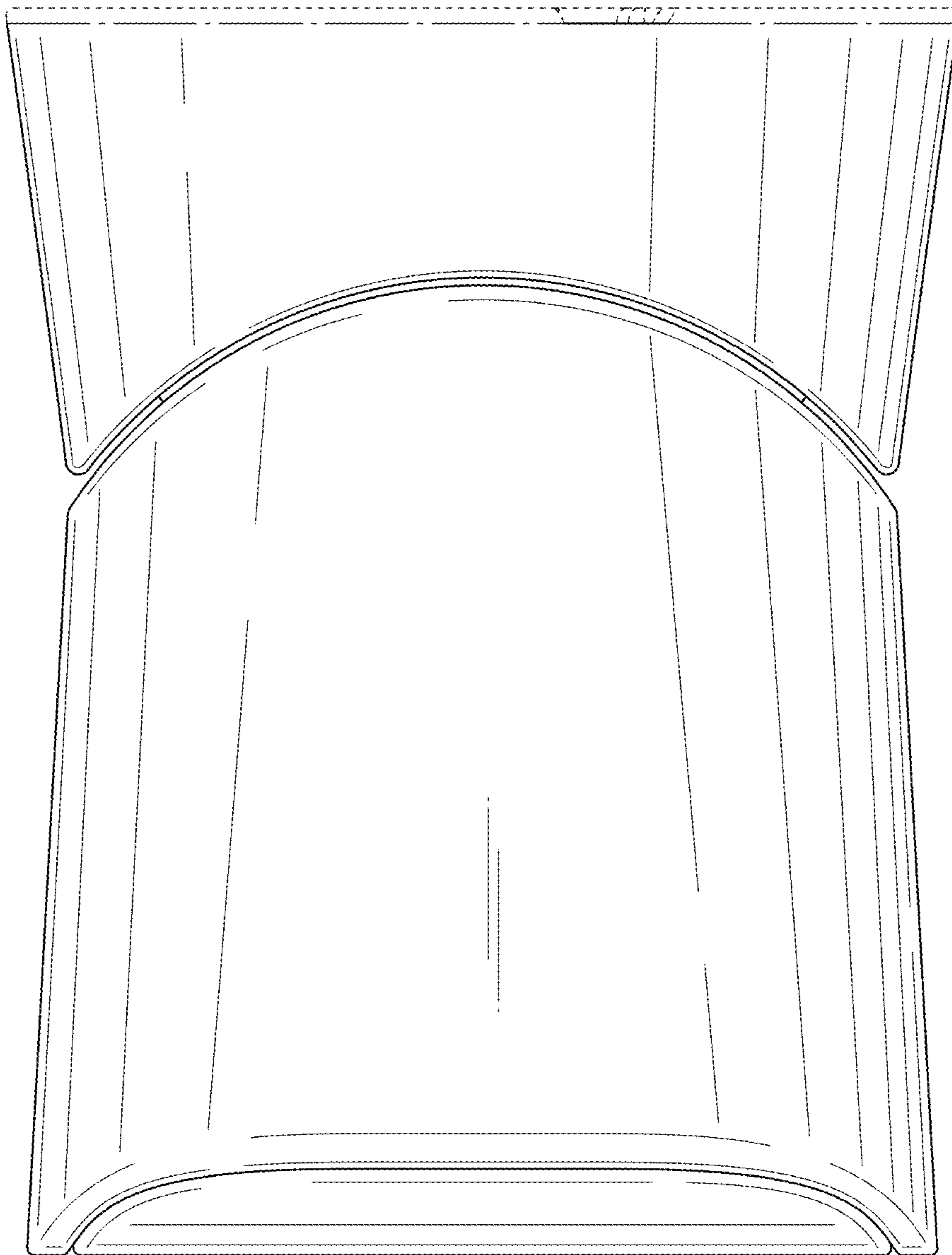


Fig. 6

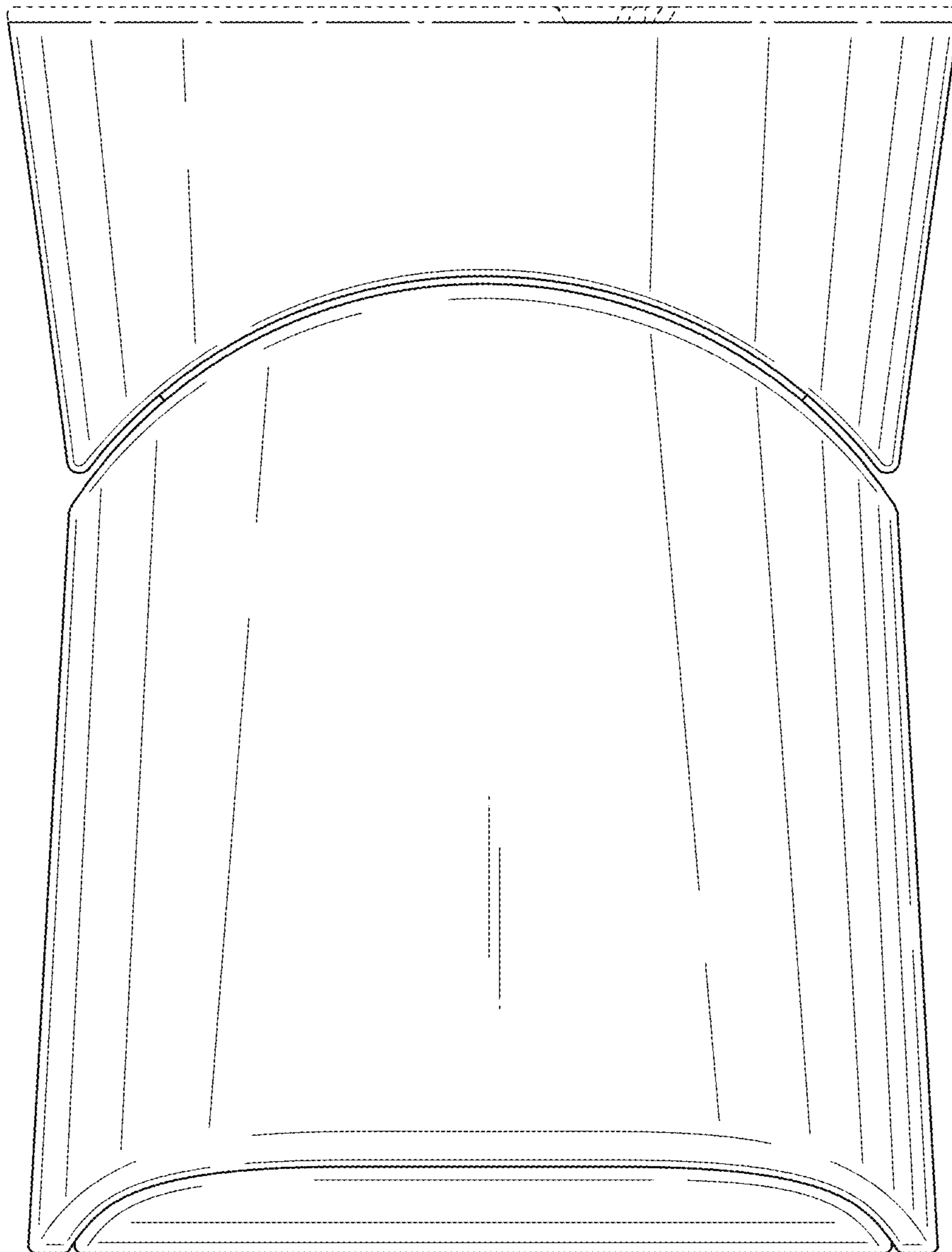




Fig. 7

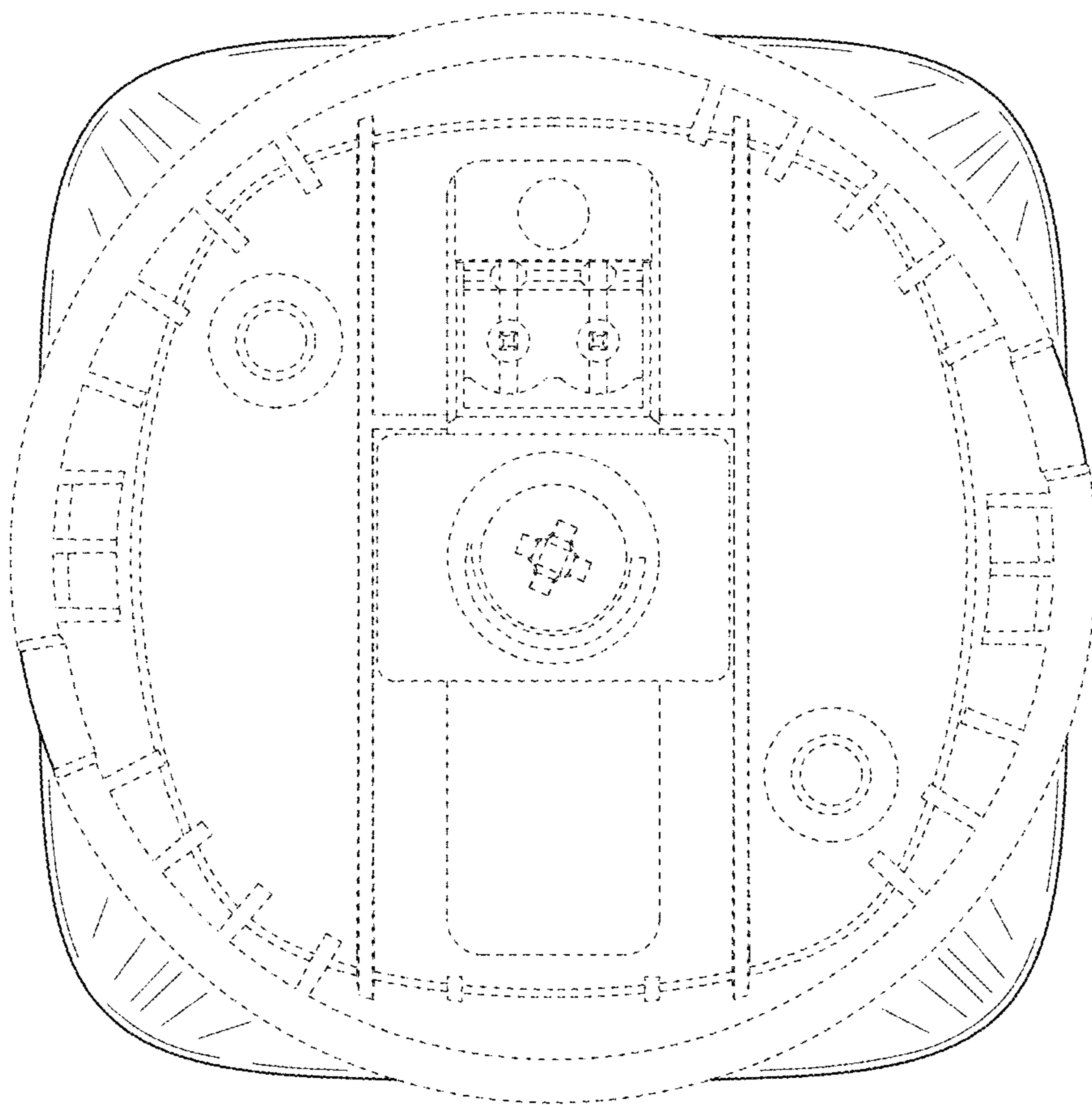


Fig. 8

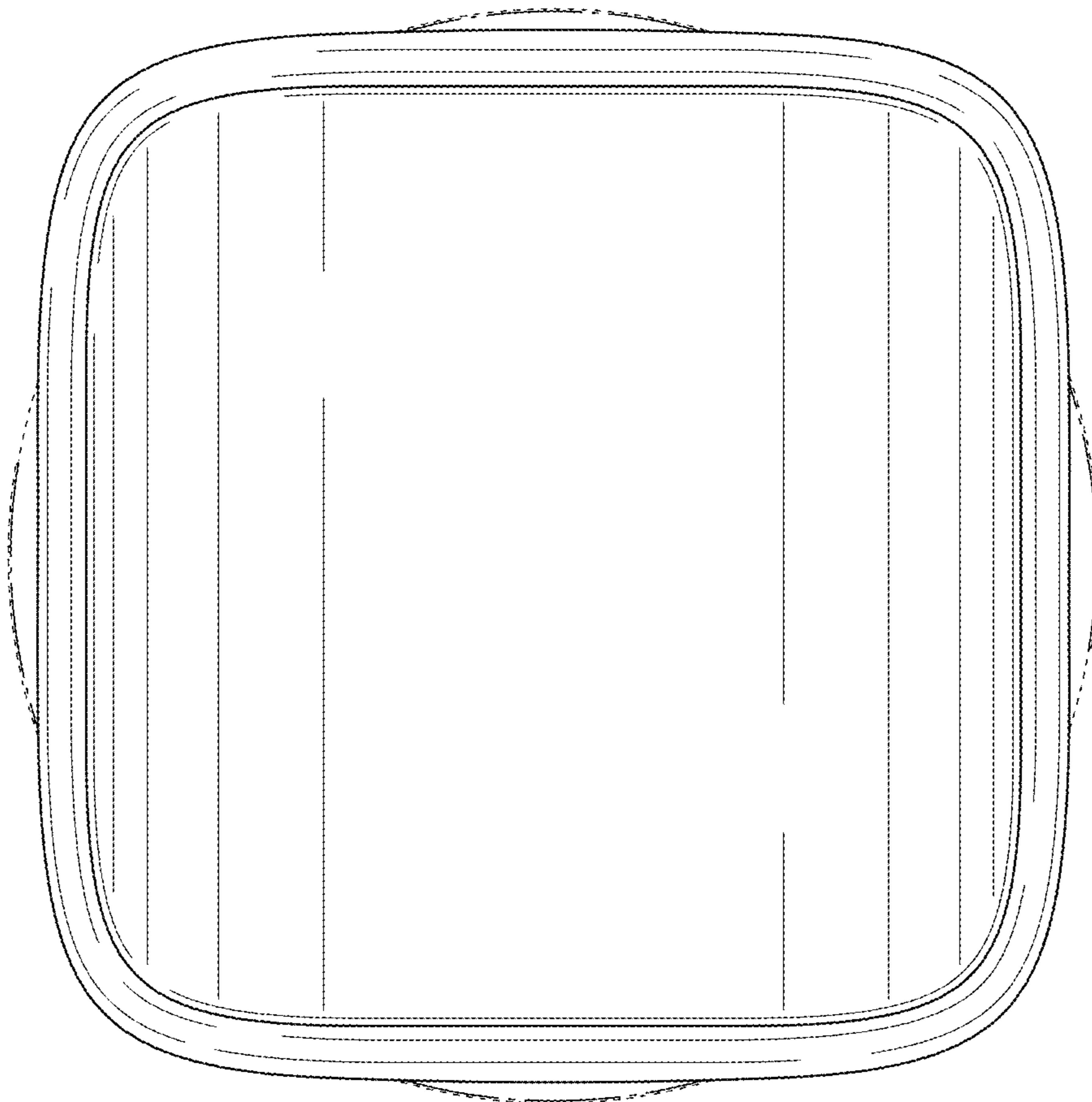


Fig. 9

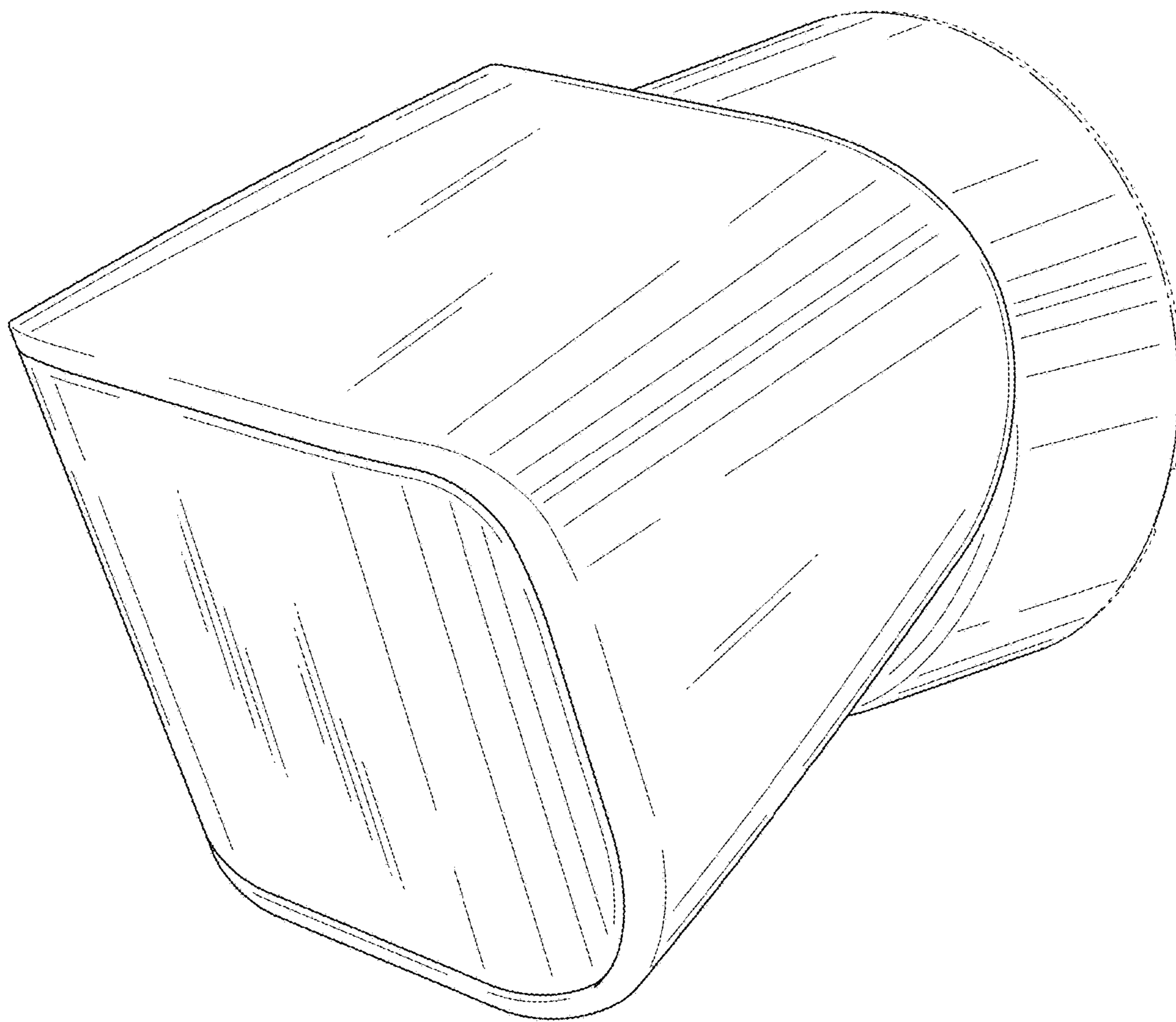


Fig. 10

