



US00D830339S

(12) **United States Design Patent**  
**Yan**

(10) **Patent No.:** **US D830,339 S**  
(45) **Date of Patent:** **\*\* Oct. 9, 2018**

- (54) **WIRELESS HEADSET**
- (71) Applicant: **SHENZHEN FUSHIKE ELECTRONIC CO., LTD**, Shenzhen, Guangdong (CN)
- (72) Inventor: **Xiaohuang Yan**, Fuzhou (CN)
- (73) Assignee: **SHENZHEN FUSHIKE ELECTRONIC CO., LTD**, Shenzhen, Guangdong (CN)
- (\*\*) Term: **15 Years**
- (21) Appl. No.: **29/607,986**
- (22) Filed: **Jun. 19, 2017**
- (51) **LOC (11) Cl.** ..... **14-01**
- (52) **U.S. Cl.**  
USPC ..... **D14/206; D14/226**
- (58) **Field of Classification Search**  
USPC ..... D14/206, 205, 225, 226, 372; D29/112; 2/209; 181/129, 130, 135; 379/430, 431; 381/380, 381, 370, 371, 377, 382, 74; 455/90.3, 575.1, 569.1; 345/7, 8  
CPC .... H04R 25/00; H04R 1/1016; H04R 1/1066; H04R 5/033; H04R 5/0335; H04R 1/10  
See application file for complete search history.

- D302,429 S \* 7/1989 Leer ..... D14/137
- D306,725 S \* 3/1990 Tanaka ..... D14/137
- 5,197,332 A \* 3/1993 Shennib ..... A61B 5/121  
600/559
- D337,116 S \* 7/1993 Hattori ..... D14/206
- D344,730 S \* 3/1994 Gattey ..... D14/206
- D346,802 S \* 5/1994 Sacherman ..... D14/206
- 5,369,857 A \* 12/1994 Sacherman ..... H04R 5/0335  
29/594
- D365,559 S \* 12/1995 Fathi ..... D14/142
- D368,719 S \* 4/1996 Luther ..... D14/227
- 5,504,812 A \* 4/1996 Vangarde ..... H04M 1/05  
379/430
- D377,020 S \* 12/1996 Bungardt ..... D14/205
- D387,770 S \* 12/1997 Liao ..... D14/227
- D389,153 S \* 1/1998 Litzau ..... D14/228
- D394,437 S \* 5/1998 Landreth ..... D14/206
- 5,793,878 A \* 8/1998 Chang ..... H04R 5/0335  
381/370
- 5,799,096 A \* 8/1998 Liao ..... H04R 1/083  
381/355
- D410,921 S \* 6/1999 Luchs ..... D14/142

(Continued)

*Primary Examiner* — Paula Allen Greene  
(74) *Attorney, Agent, or Firm* — Li & Cai Intellectual Property (USA) Office

(57) **CLAIM**

The ornamental design for a “wireless headset,” as shown and described.

**DESCRIPTION**

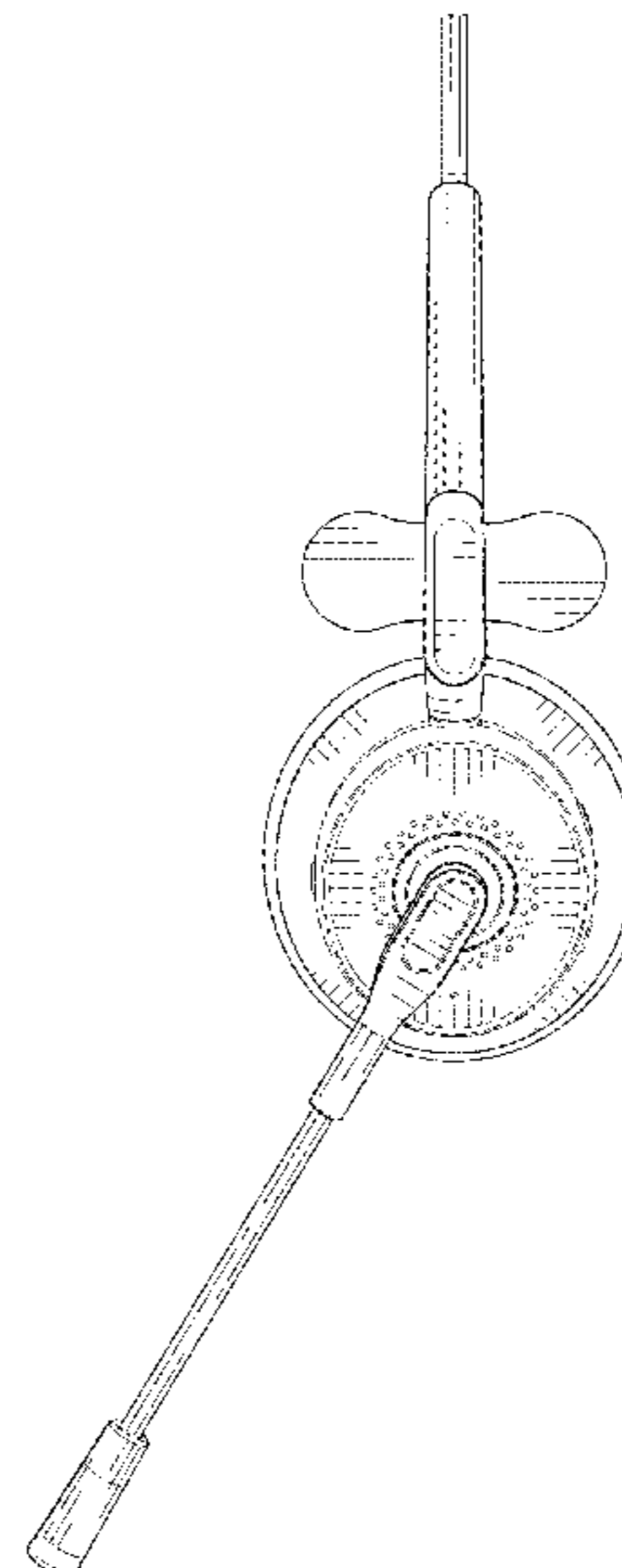
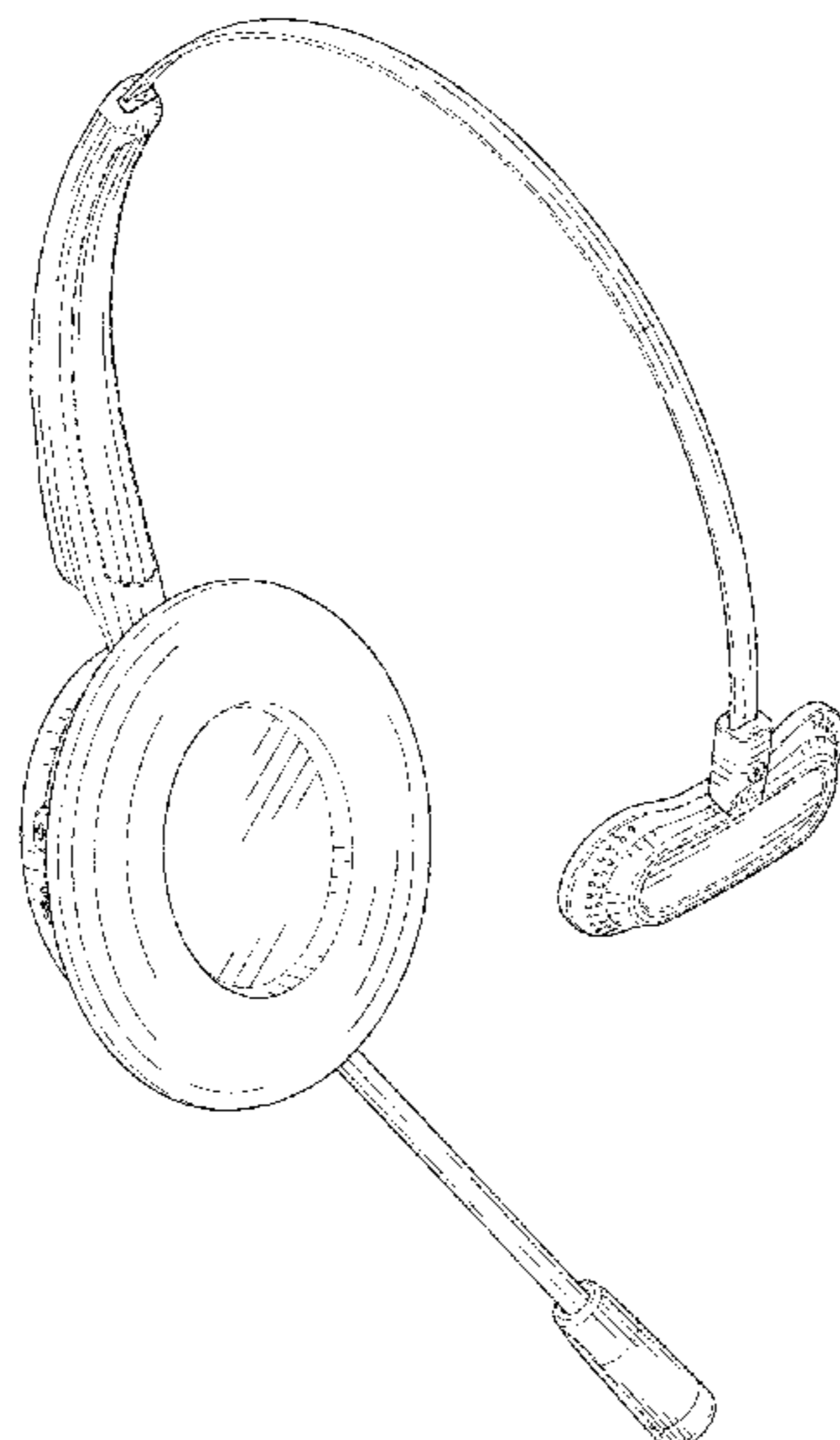
FIG. 1 is a perspective view of a wireless headset showing our new design;  
FIG. 2 is a front view thereof;  
FIG. 3 is a rear view thereof;  
FIG. 4 is a left side view thereof;  
FIG. 5 is a right side view thereof;  
FIG. 6 is a top view thereof; and,  
FIG. 7 is a bottom view thereof.

**1 Claim, 6 Drawing Sheets**

(56) **References Cited**

**U.S. PATENT DOCUMENTS**

- 2,485,405 A \* 10/1949 Olney ..... H04R 1/342  
181/22
- 3,588,384 A \* 6/1971 Negley ..... H04M 1/05  
381/327
- 3,781,492 A \* 12/1973 Cragg ..... H04R 1/08  
379/430
- D233,444 S \* 10/1974 Christian ..... D14/206
- 4,420,657 A \* 12/1983 Larkin ..... H04M 1/05  
181/129



(56)

References Cited

U.S. PATENT DOCUMENTS

6,154,539 A \* 11/2000 Pitel ..... H04M 1/05  
379/430  
D436,348 S \* 1/2001 McGugan ..... D14/142  
D443,870 S \* 6/2001 Carpenter ..... D14/206  
D467,907 S \* 12/2002 Marion ..... D14/223  
6,560,346 B2 \* 5/2003 Ohta ..... H04R 1/083  
381/370  
6,622,029 B1 \* 9/2003 Skulley ..... H04M 1/05  
379/430  
D482,019 S \* 11/2003 Petersen ..... D14/206  
D494,154 S \* 8/2004 Polito ..... D14/206  
D494,957 S \* 8/2004 Rath ..... D14/206  
D498,470 S \* 11/2004 Skulley ..... D14/206  
D504,414 S \* 4/2005 Yoshida ..... D14/192  
6,952,481 B2 \* 10/2005 Larsen ..... H04M 1/05  
379/430  
6,970,572 B2 \* 11/2005 Murozaki ..... H04M 1/05  
381/374  
D514,086 S \* 1/2006 Skulley ..... D14/206  
D517,528 S \* 3/2006 Skulley ..... D14/206  
D518,479 S \* 4/2006 Skulley ..... D14/225  
7,106,873 B1 \* 9/2006 Harrison ..... H04R 25/456  
381/330  
D530,702 S \* 10/2006 Pritchard ..... D14/206  
D531,165 S \* 10/2006 Rath ..... D14/206  
D533,166 S \* 12/2006 Marquez ..... D14/225  
D533,869 S \* 12/2006 Drambarean ..... D14/225  
D538,785 S \* 3/2007 Skulley ..... D14/206  
7,190,330 B2 \* 3/2007 Travers ..... G02B 27/0176  
345/7  
D539,788 S \* 4/2007 Thompson ..... D14/225  
D539,789 S \* 4/2007 Rausch ..... D14/225  
D540,303 S \* 4/2007 Rausch ..... D14/205  
D540,778 S \* 4/2007 Thompson ..... D14/206  
7,245,737 B2 \* 7/2007 Amae ..... H04R 1/1066  
381/374  
D563,382 S \* 3/2008 Wikel ..... D14/205  
7,391,863 B2 \* 6/2008 Viduya ..... H04M 1/05  
379/430

D573,588 S \* 7/2008 Warren ..... D14/225  
7,436,973 B2 \* 10/2008 Liao ..... H04R 1/1041  
381/370  
D587,683 S \* 3/2009 Ham ..... D14/205  
D587,684 S \* 3/2009 Ham ..... D14/205  
7,519,196 B2 \* 4/2009 Bech ..... H04R 1/105  
381/370  
D593,995 S \* 6/2009 Shimizu ..... D14/205  
D597,072 S \* 7/2009 Asai ..... D14/206  
D601,543 S \* 10/2009 Bentley ..... D14/206  
D602,001 S \* 10/2009 Bentley ..... D14/206  
D602,908 S \* 10/2009 Ham ..... D14/206  
D628,189 S \* 11/2010 Rath ..... D14/206  
D635,962 S \* 4/2011 Kelley ..... D14/206  
D638,000 S \* 5/2011 Hoggarth ..... D14/206  
D641,337 S \* 7/2011 Brandis ..... D14/206  
D643,405 S \* 8/2011 Rath ..... D14/206  
D654,471 S \* 2/2012 Fischer ..... D14/206  
D654,472 S \* 2/2012 Fischer ..... D14/206  
D666,168 S \* 8/2012 Rath ..... D14/206  
D673,524 S \* 1/2013 Brennwald ..... D14/206  
D691,110 S \* 10/2013 Ham ..... D14/205  
D706,244 S \* 6/2014 Goransson ..... D14/225  
D707,655 S \* 6/2014 Porter ..... H04M 1/00  
D14/206  
D716,258 S \* 10/2014 Awiszus ..... D14/206  
D716,259 S \* 10/2014 Awiszus ..... D14/206  
D732,002 S \* 6/2015 Goransson ..... D14/206  
D760,689 S \* 7/2016 Gecawicz ..... D14/206  
D760,690 S \* 7/2016 Gecawicz ..... D14/206  
D763,228 S \* 8/2016 Carr ..... D14/206  
D806,676 S \* 1/2018 Fuglsang ..... D14/206  
D812,040 S \* 3/2018 Yan ..... D14/206  
2011/0135134 A1 \* 6/2011 Essabar ..... H04R 1/1025  
381/374  
2011/0206216 A1 \* 8/2011 Brunner ..... H04R 1/1066  
381/74  
2011/0306393 A1 \* 12/2011 Goldman ..... H04M 1/6066  
455/575.2  
2012/0328119 A1 \* 12/2012 Heise ..... H04R 1/1066  
381/74

\* cited by examiner

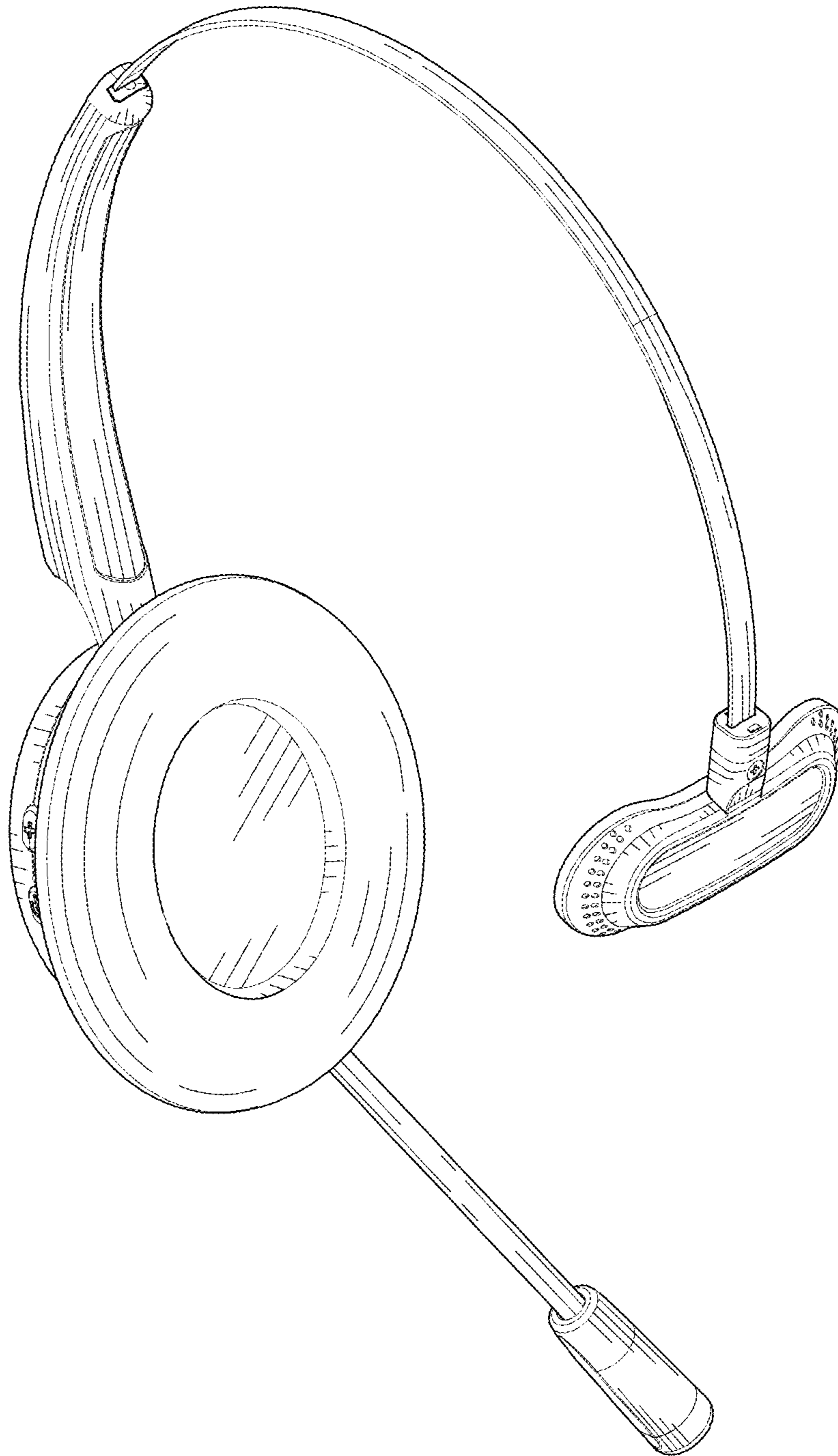


FIG. 1

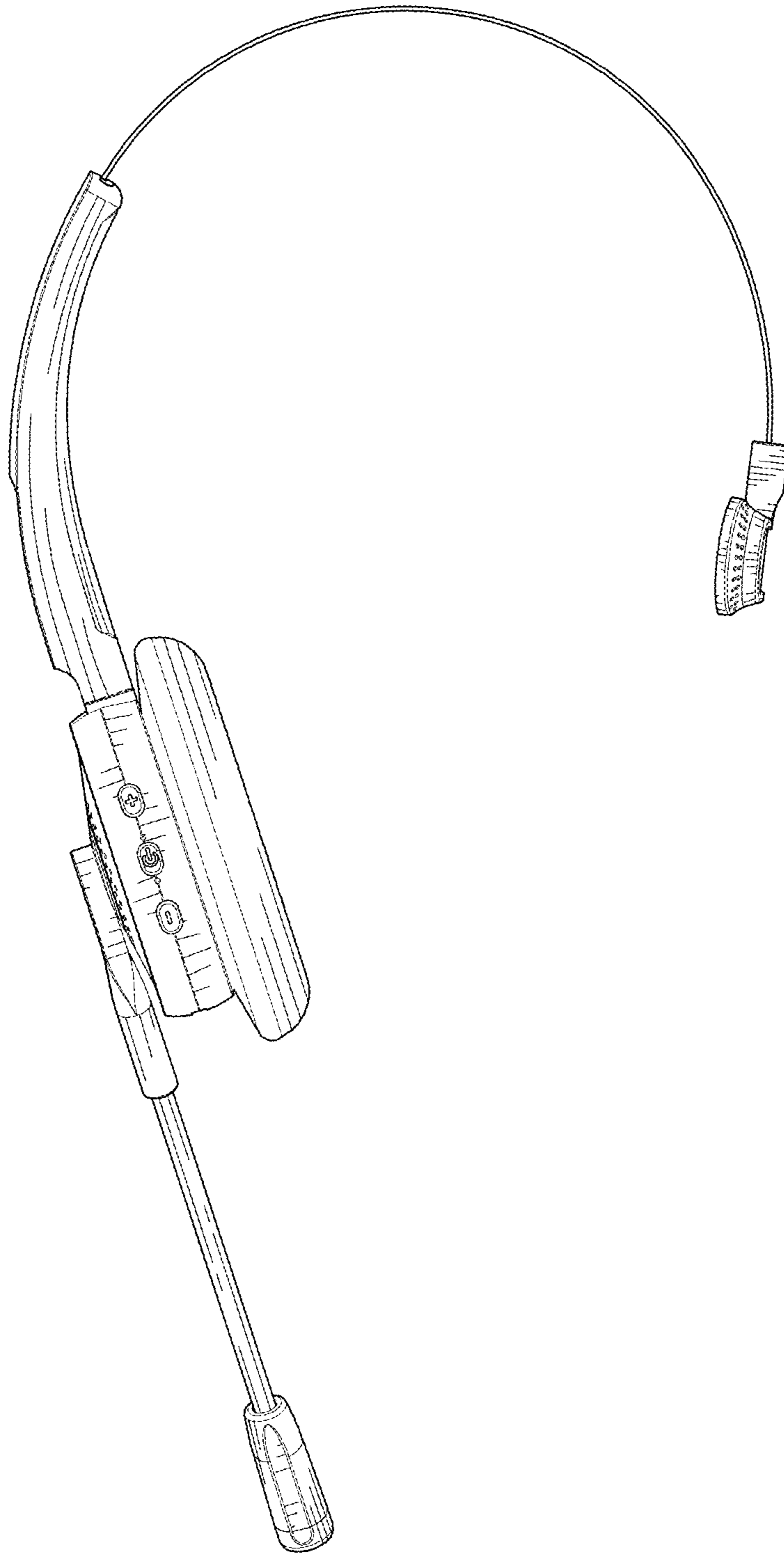


FIG. 2

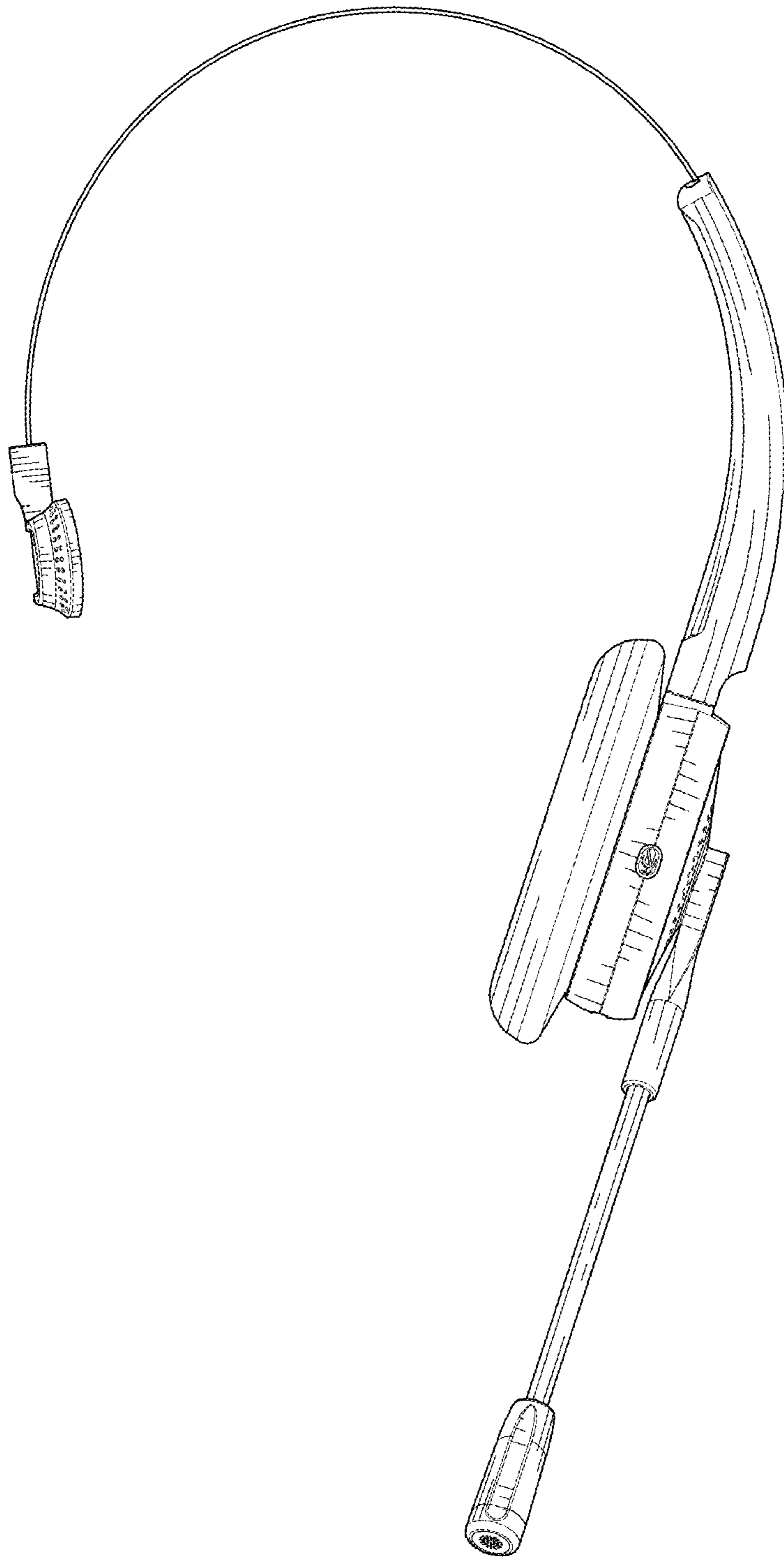


FIG. 3

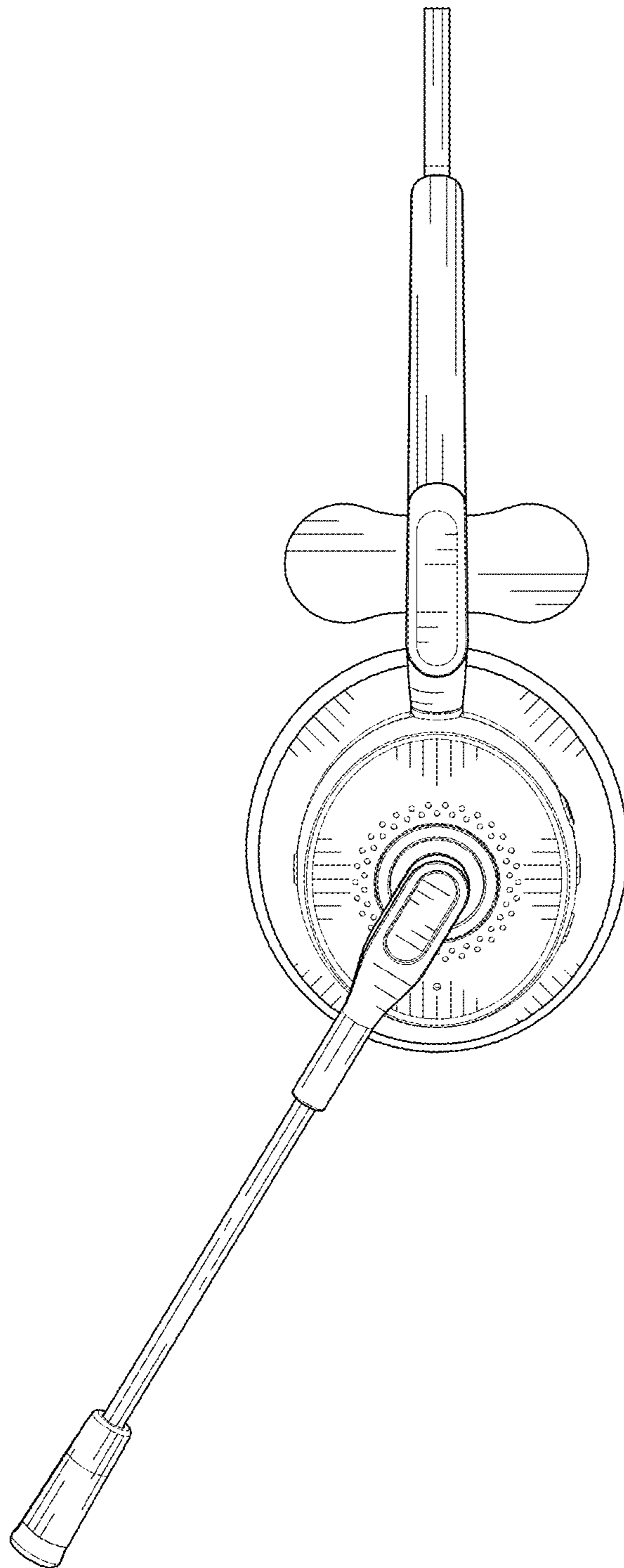


FIG. 4

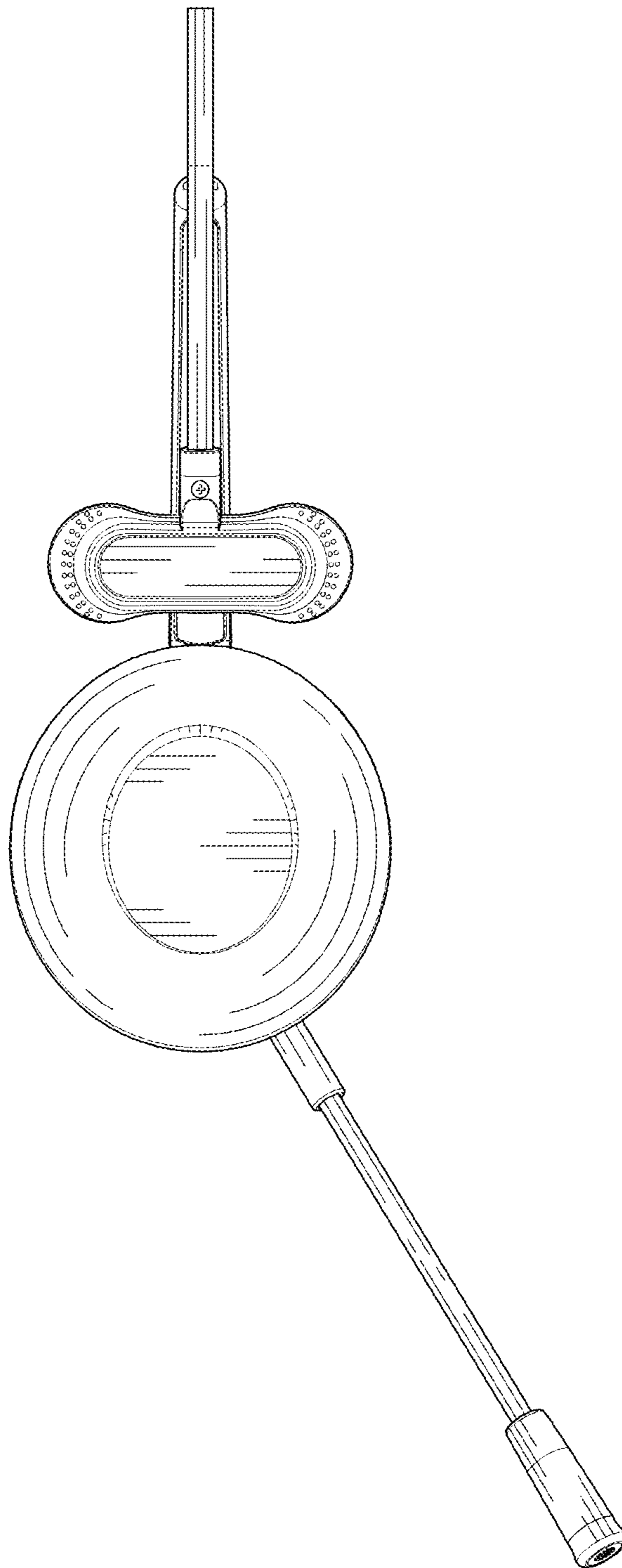


FIG. 5

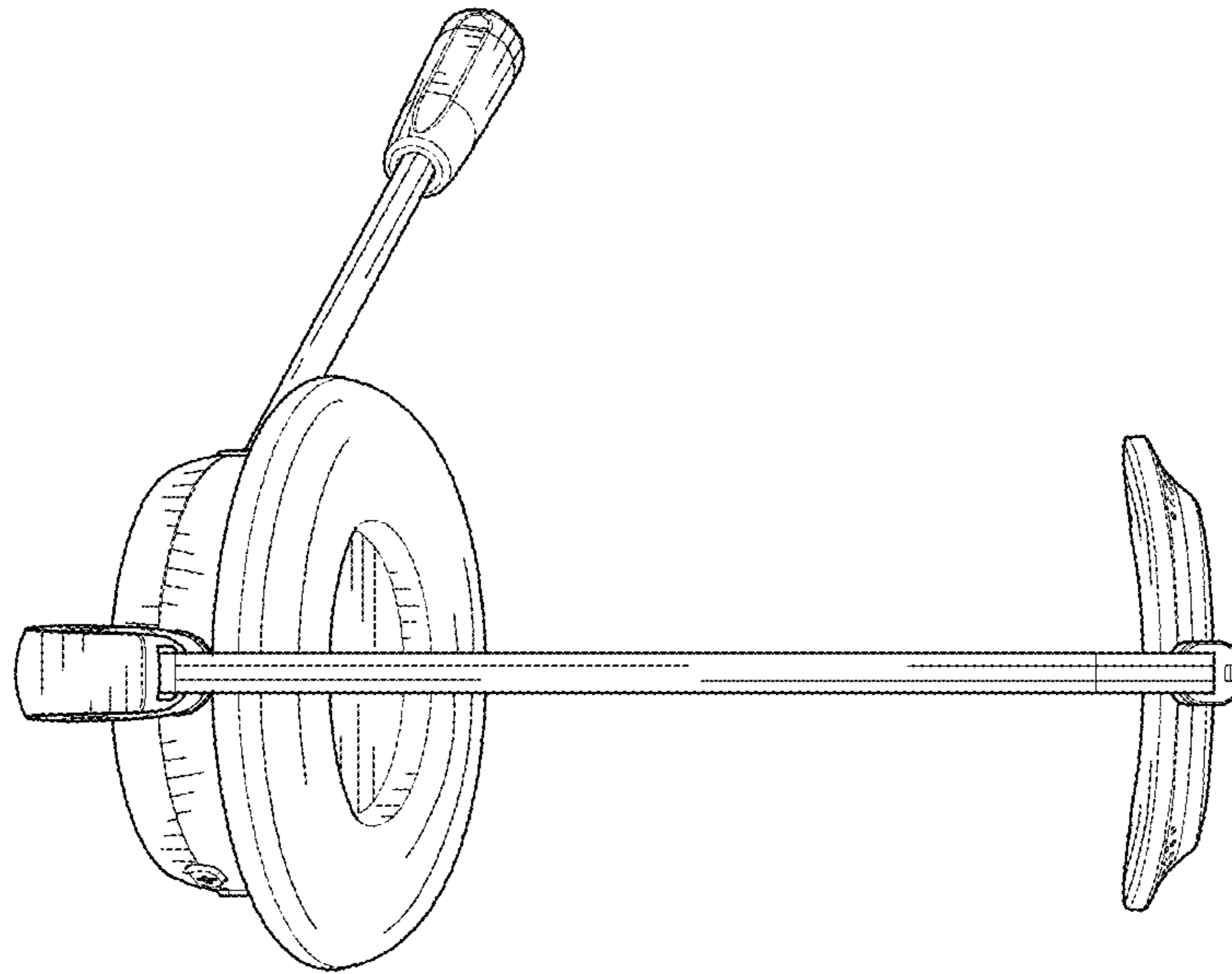


FIG. 6

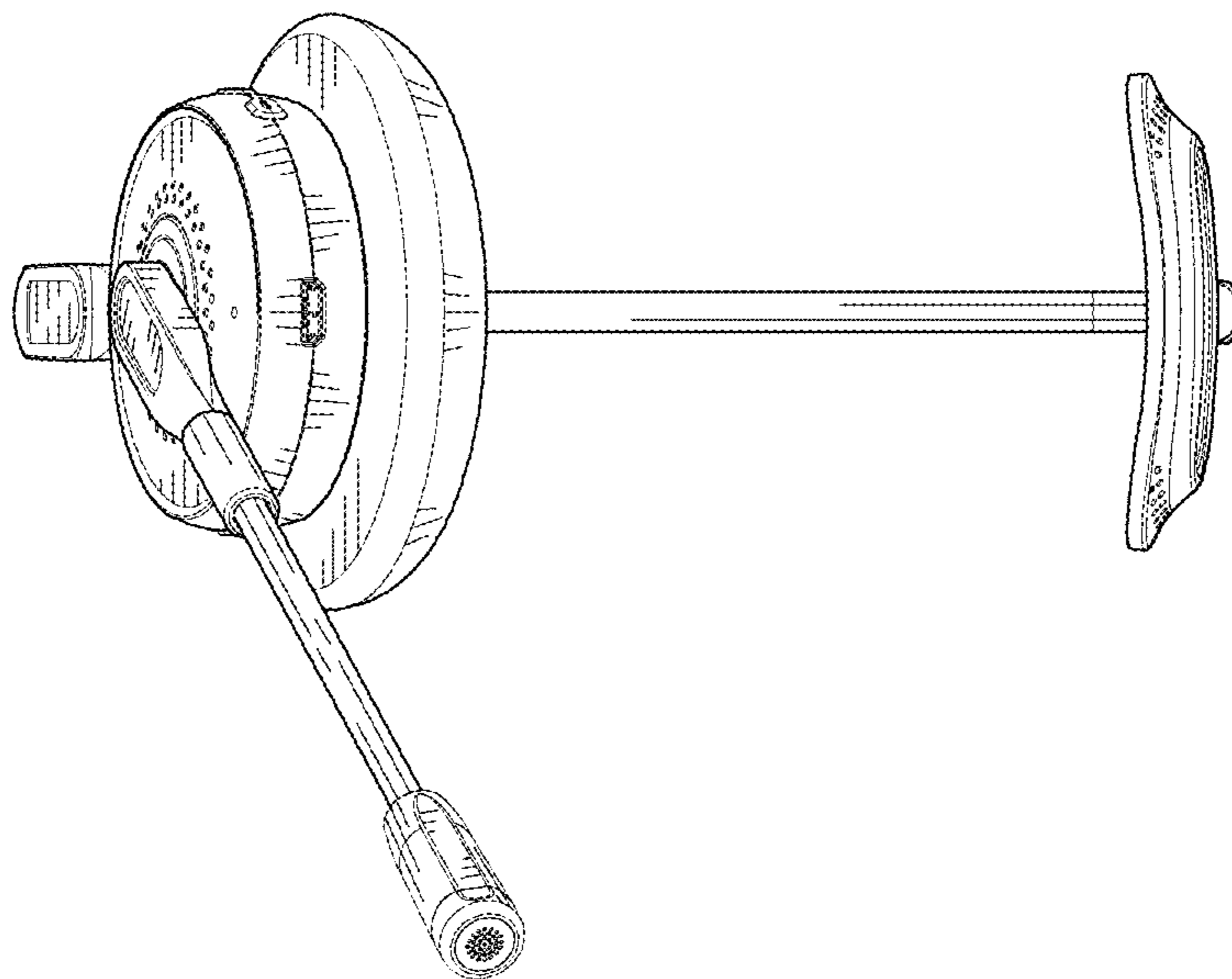


FIG. 7