



US00D830338S

(12) **United States Design Patent** (10) **Patent No.:** **US D830,338 S**
Yan (45) **Date of Patent:** **** Oct. 9, 2018**

(54) **WIRELESS HEADSET**
(71) Applicant: **SHENZHEN FUSHIKE ELECTRONIC CO., LTD**, Shenzhen, Guangdong (CN)
(72) Inventor: **Xiaohuang Yan**, Fuzhou (CN)
(73) Assignee: **SHENZHEN FUSHIKE ELECTRONIC CO., LTD**, Shenzhen, Guangdong (CN)
(**) Term: **15 Years**
(21) Appl. No.: **29/606,713**
(22) Filed: **Jun. 7, 2017**
(30) **Foreign Application Priority Data**

Mar. 28, 2017 (CN) 2017 3 0094843
(51) **LOC (11) Cl.** **14-01**
(52) **U.S. Cl.**
USPC **D14/206; D14/226**
(58) **Field of Classification Search**
USPC D14/206, 223, 205, 225, 226; D24/174;
181/129, 130, 135; 379/430, 431;
381/380, 381, 382, 370, 375, 322, 330,
381/324, 328, 74; 455/90.3, 575.1, 569.1
CPC H04R 25/00; H04R 1/10; H04R 1/105;
H04R 1/1066; H04R 1/1016; H04R
5/033; H04R 5/0335; H04R 1/083
See application file for complete search history.

(56) **References Cited**
U.S. PATENT DOCUMENTS
D179,150 S * 11/1956 Norris D14/192
D251,234 S * 3/1979 Hakansson D10/46
D295,403 S * 4/1988 Oleson D14/225
D354,568 S * 1/1995 Araki D24/174
D357,477 S * 4/1995 Mueller D14/206

D384,958 S * 10/1997 Shudo D14/206
D385,036 S * 10/1997 Nielsen D24/174
D439,890 S * 4/2001 Skulley D14/206
D443,603 S * 6/2001 Taylor D14/206
D447,472 S * 9/2001 McGugan D14/225
D447,473 S * 9/2001 Chuang D13/151
D447,743 S * 9/2001 Ma D14/223
D449,290 S * 10/2001 Taylor D14/206
D451,907 S * 12/2001 Amae D14/206
D452,857 S * 1/2002 Hong D14/206
D455,417 S * 4/2002 Bey D14/206
D457,635 S * 5/2002 Dittli D24/174
D458,247 S * 6/2002 Davies D14/206
D463,784 S * 10/2002 Taylor D14/206
D464,943 S * 10/2002 Lai D14/206
D464,951 S * 10/2002 Skulley D14/142

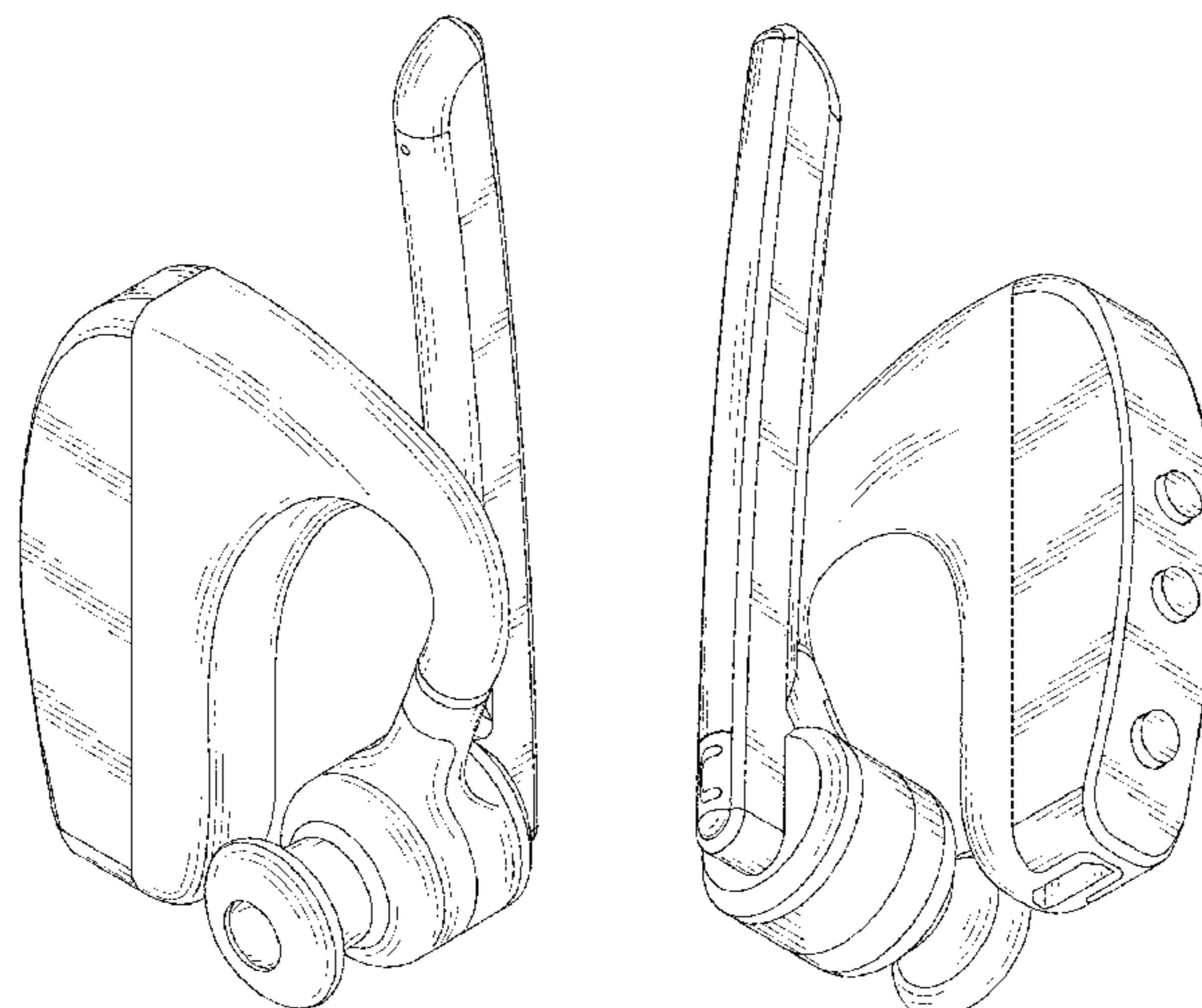
(Continued)

Primary Examiner — Paula Allen Greene
(74) *Attorney, Agent, or Firm* — Li & Cai Intellectual Property (USA) Office

(57) **CLAIM**
The ornamental design for wireless headset, as shown and described.

DESCRIPTION
FIG. 1 is a perspective view of a wireless headset showing our new design;
FIG. 2 is a front view thereof;
FIG. 3 is a rear view thereof;
FIG. 4 is a left side view thereof;
FIG. 5 is a right side view thereof;
FIG. 6 is a top view thereof;
FIG. 7 is a bottom view thereof;
FIG. 8 is a perspective view viewed from another visual angle thereof; and,
FIG. 9 is a reference view of the wireless headset in a use state.
The broken lines depict environment that forms no part of the claimed design.

1 Claim, 8 Drawing Sheets



(56)

References Cited

U.S. PATENT DOCUMENTS

D468,721 S *	1/2003	Nguyen	D14/205	D557,255 S *	12/2007	Shintani	D14/206
D469,081 S *	1/2003	Perszyk	D14/205	D572,234 S *	7/2008	Reda	D14/205
D470,121 S *	2/2003	Nguyen	D14/205	D581,900 S *	12/2008	Caddes	D14/206
D470,478 S *	2/2003	Kohli	D14/223	D584,719 S *	1/2009	Brennwald	D14/205
D474,171 S *	5/2003	Suzuki	D14/206	D603,372 S *	11/2009	Bentley	D14/206
D474,178 S *	5/2003	Eroma	D14/205	D612,834 S *	3/2010	Yang	D14/206
D476,645 S *	7/2003	Padala	D14/223	D612,835 S *	3/2010	Yang	D14/206
D477,821 S *	7/2003	Bieltvedt	D14/206	D612,840 S *	3/2010	Yang	D14/206
D480,072 S *	9/2003	Ham	D14/223	D647,877 S *	11/2011	Son	D14/206
D490,398 S *	5/2004	Gwee	D14/205	D653,649 S *	2/2012	Yang	D14/206
D490,399 S *	5/2004	Kamo	D14/206	D657,347 S *	4/2012	Chung	D14/206
D498,227 S *	11/2004	Dyer	D14/205	D667,121 S *	9/2012	Mori	D24/174
D504,419 S *	4/2005	Bey	D14/223	D670,267 S *	11/2012	Maddern	D14/206
D504,673 S *	5/2005	Dyer	D14/205	D671,915 S *	12/2012	Birger	D14/206
D504,887 S *	5/2005	Skulley	D14/223	8,374,370 B2 *	2/2013	Zhang	A61B 5/121 381/322
D505,413 S *	5/2005	Skulley	D14/223	D681,002 S *	4/2013	Ham	D14/205
D506,258 S *	6/2005	Nielsen	D24/174	D681,003 S *	4/2013	Ham	D14/206
D506,462 S *	6/2005	Han	D14/205	D681,014 S *	4/2013	Ham	D14/206
D511,156 S *	11/2005	Eroma	D14/205	D705,936 S *	5/2014	Lockenwitz	D24/174
D512,984 S *	12/2005	Ham	D14/205	D717,771 S *	11/2014	Harper	D14/223
D515,074 S *	2/2006	Jacobson	D14/225	D750,043 S *	2/2016	Birger	D14/206
D517,528 S *	3/2006	Skulley	D14/206	9,307,311 B2 *	4/2016	Tran	H04R 1/10
D518,473 S *	4/2006	Gwee	D14/205	D784,290 S *	4/2017	Paterson	D14/205
D518,479 S *	4/2006	Skulley	D14/225	D784,291 S *	4/2017	Paterson	D14/206
D519,498 S *	4/2006	Ham	D14/225	D797,076 S *	9/2017	Zhang	D14/206
D520,496 S *	5/2006	Gwee	D14/205	D800,692 S *	10/2017	Tan	D14/206
D521,492 S *	5/2006	Ham	D14/205	D804,035 S *	11/2017	Gabathuler	D24/174
D530,819 S *	10/2006	Jurkiewicz	D24/174	D812,040 S *	3/2018	Yan	D14/206
D535,980 S *	1/2007	Bentley	D14/225	2004/0062410 A1 *	4/2004	Wagner	H04R 25/65 381/330
D537,815 S *	3/2007	Bentley	D14/206	2005/0259812 A1 *	11/2005	Chen	H04M 1/05 379/431
D539,266 S *	3/2007	Bentley	D14/205	2013/0322646 A1 *	12/2013	Davie	H04R 1/1041 381/74
D539,789 S *	4/2007	Rausch	D14/225	2017/0339498 A1 *	11/2017	Vandyke	H04R 25/604
D540,778 S *	4/2007	Thompson	D14/206				
D541,787 S *	5/2007	Ma	D14/205				

* cited by examiner

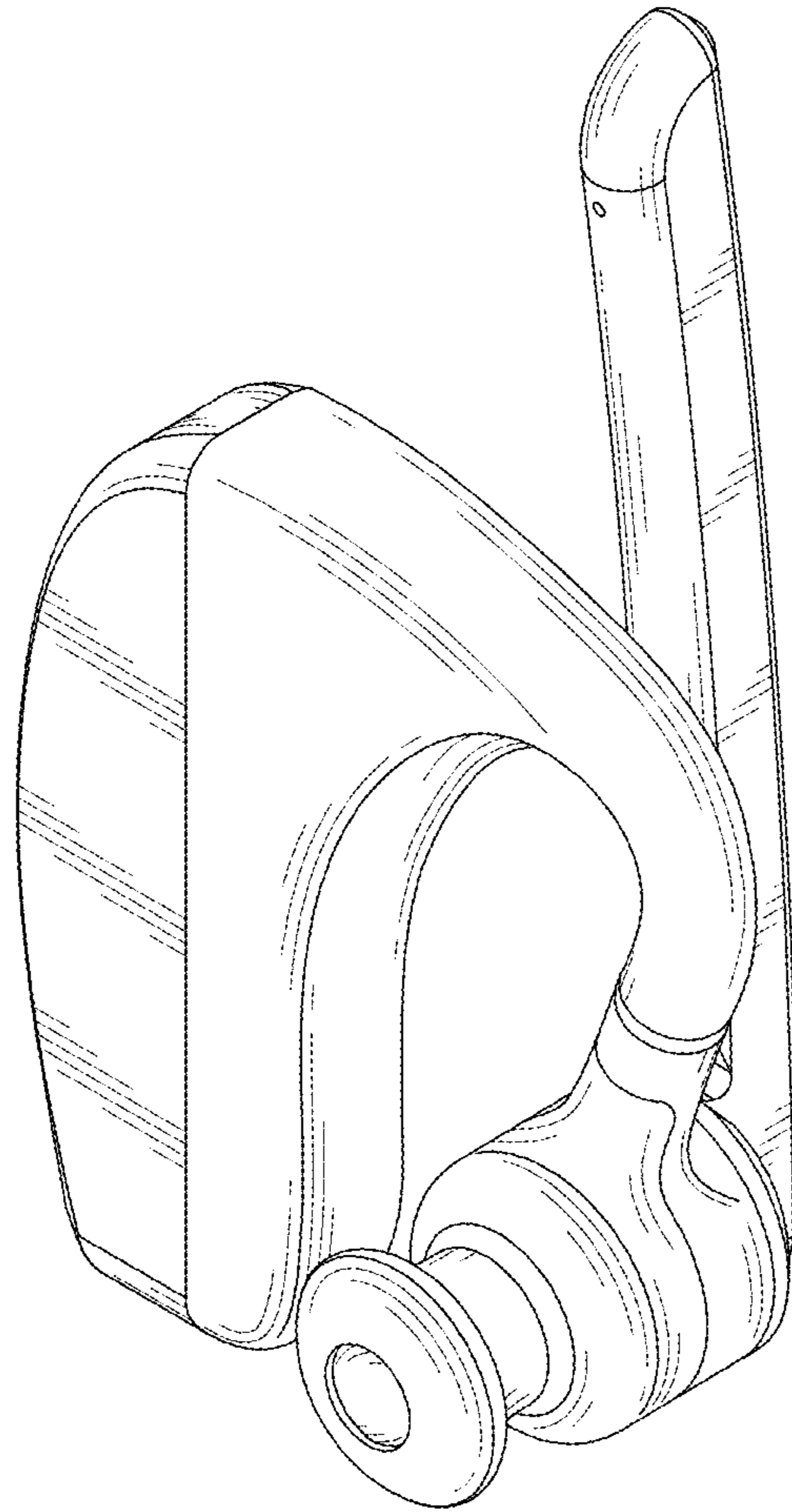


FIG. 1

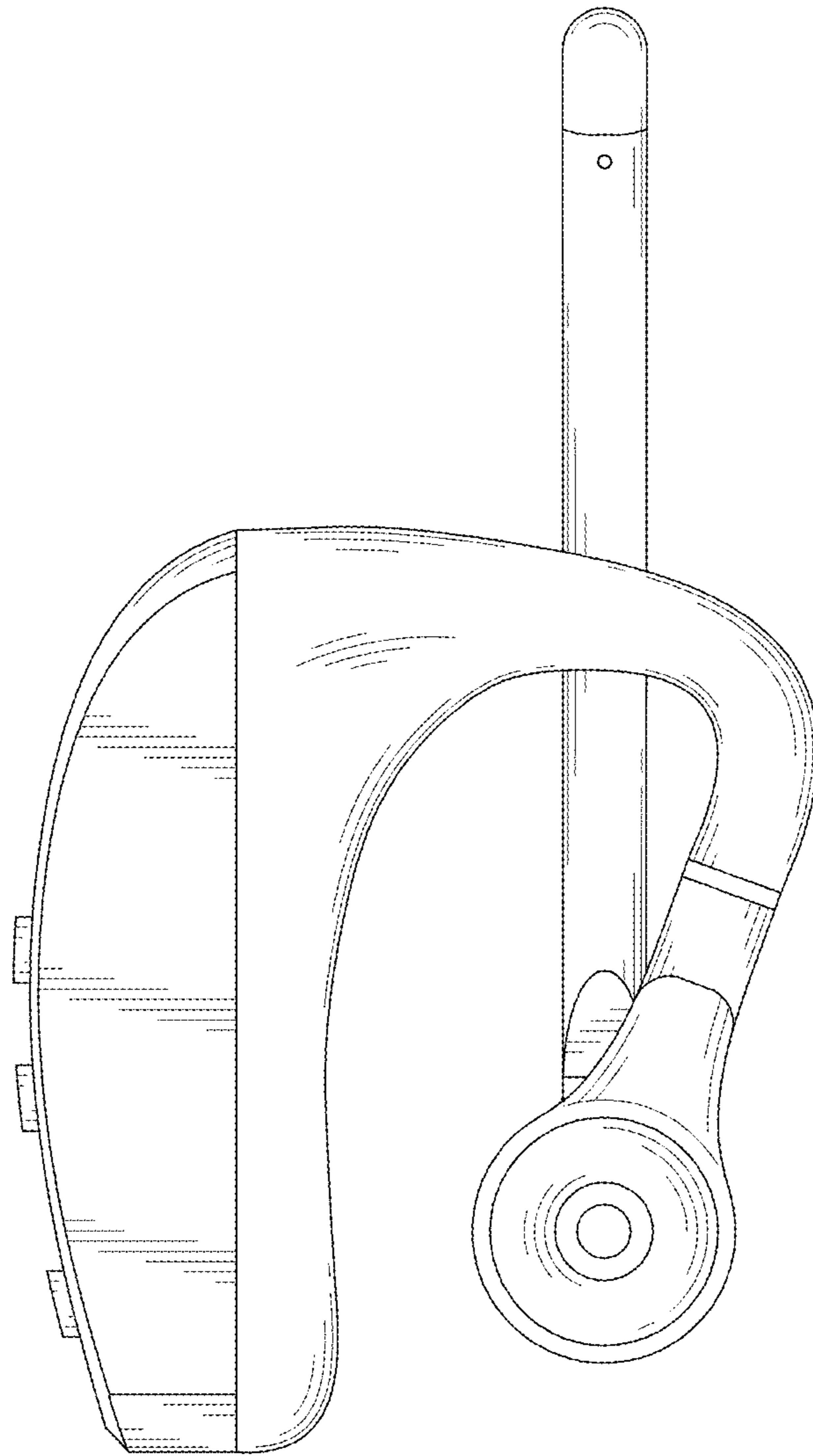


FIG. 2

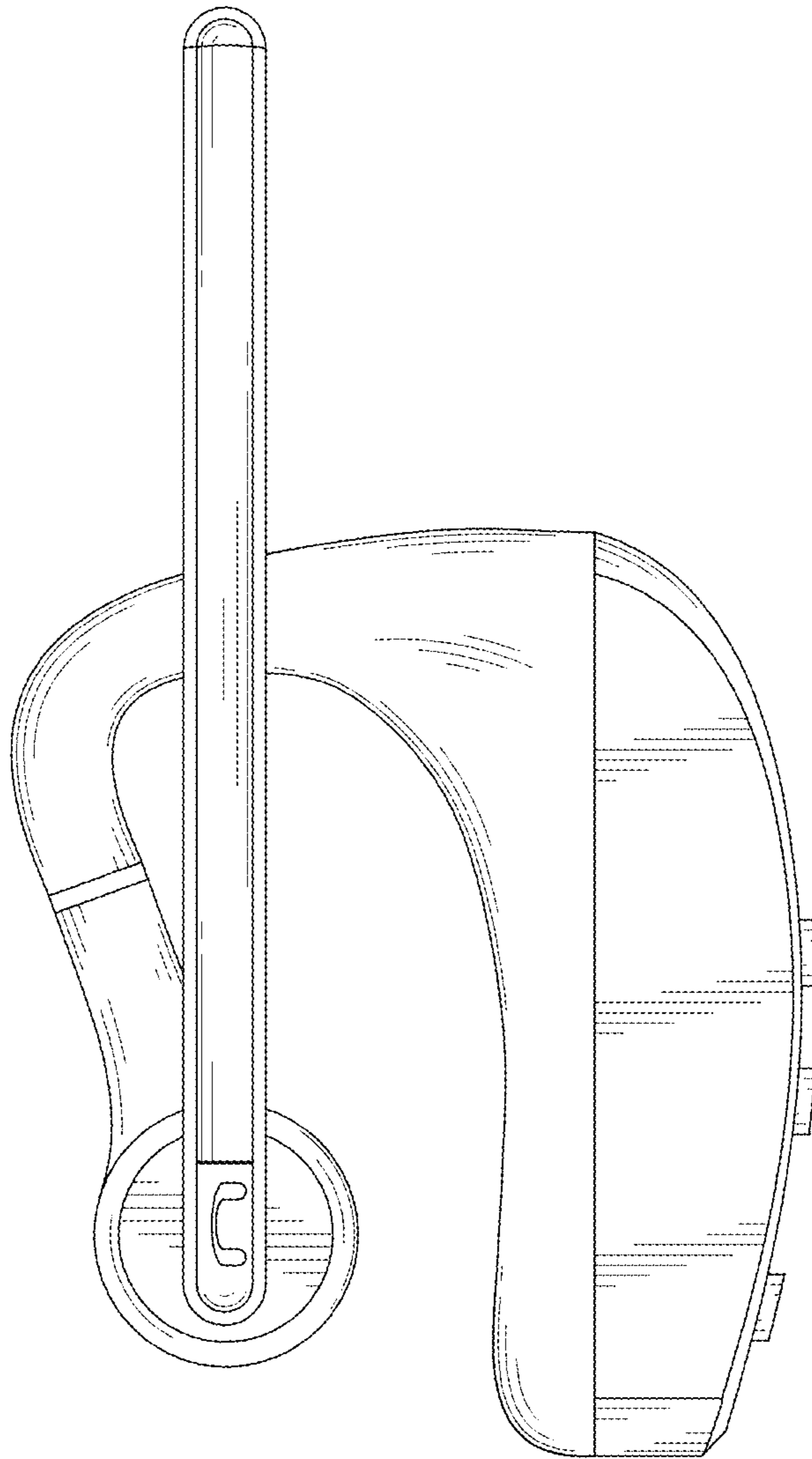


FIG. 3

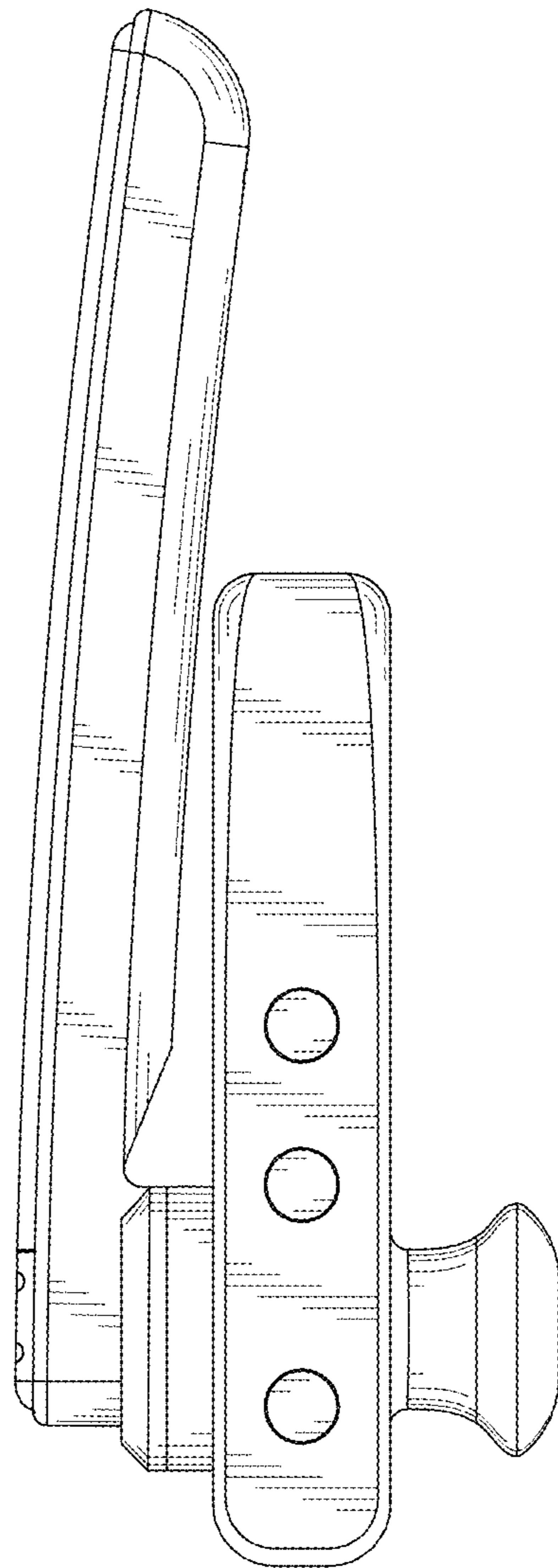


FIG. 4

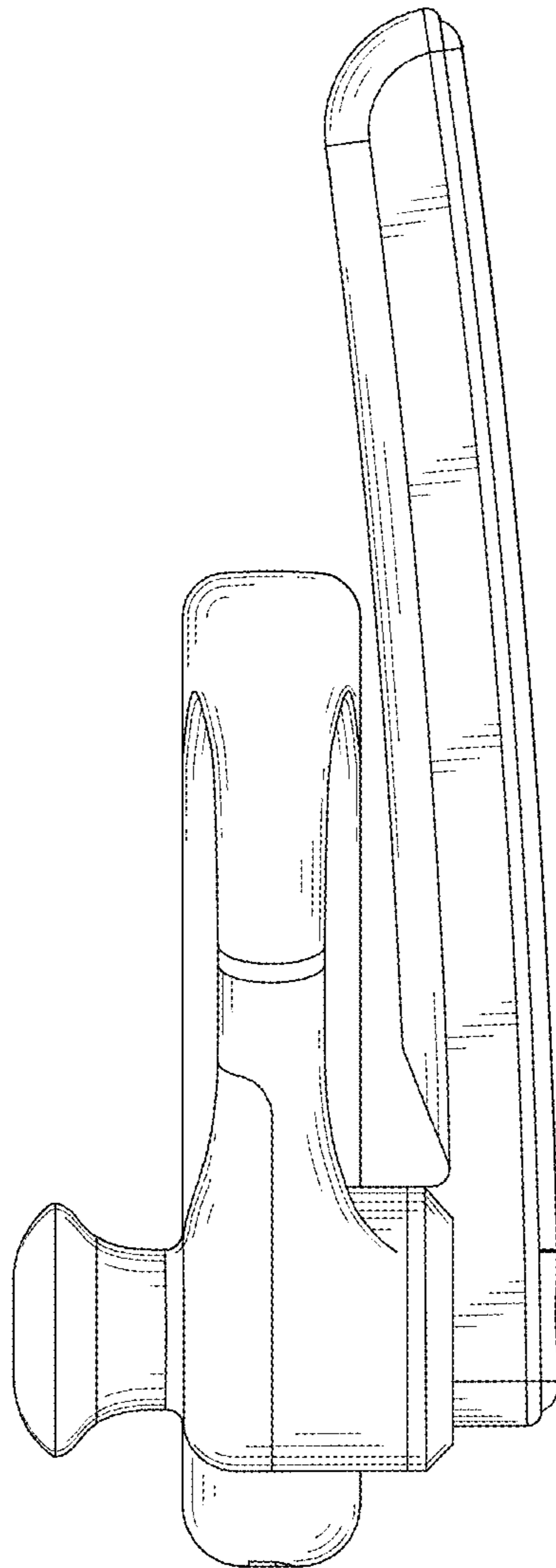


FIG. 5

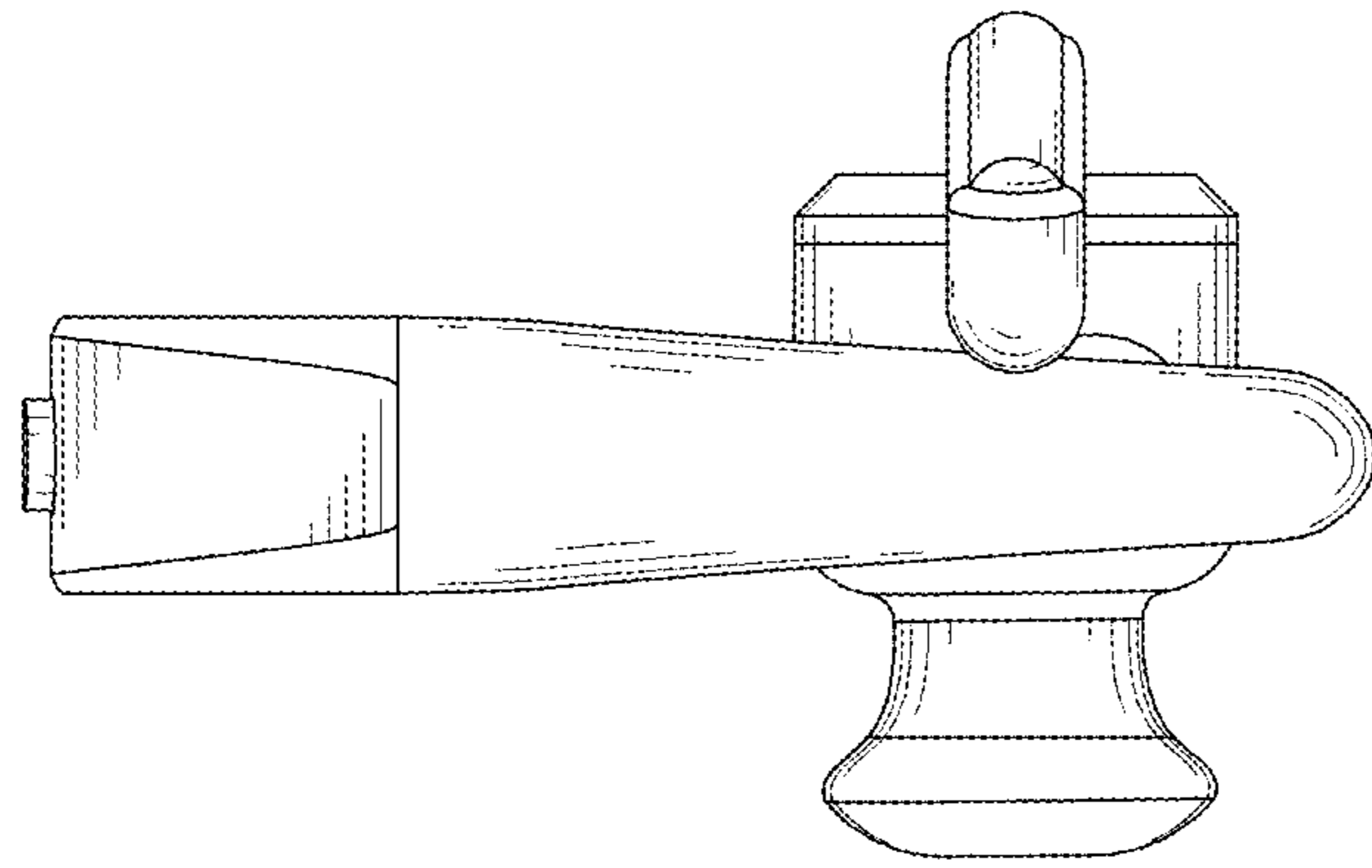


FIG. 6

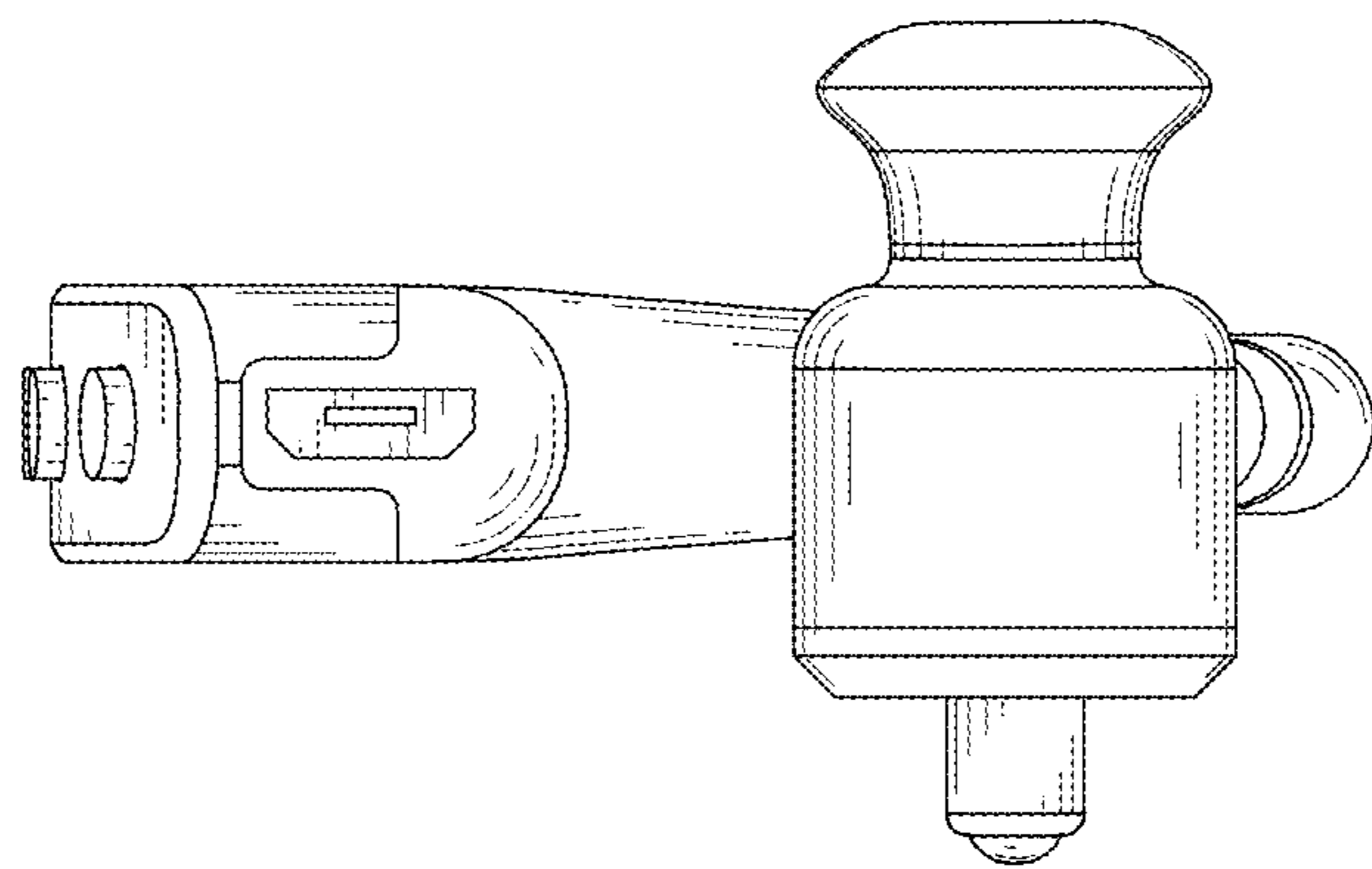


FIG. 7

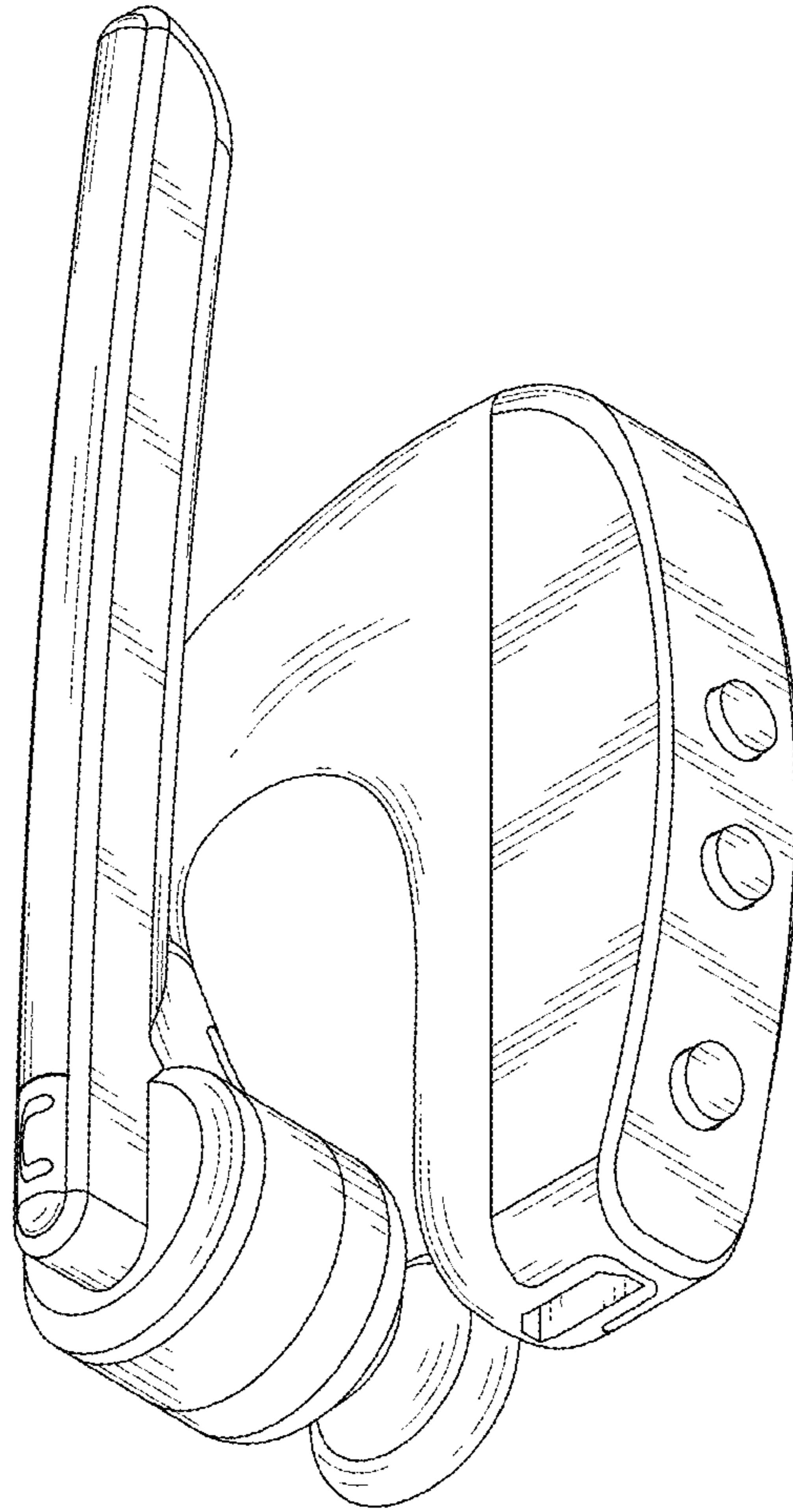


FIG. 8

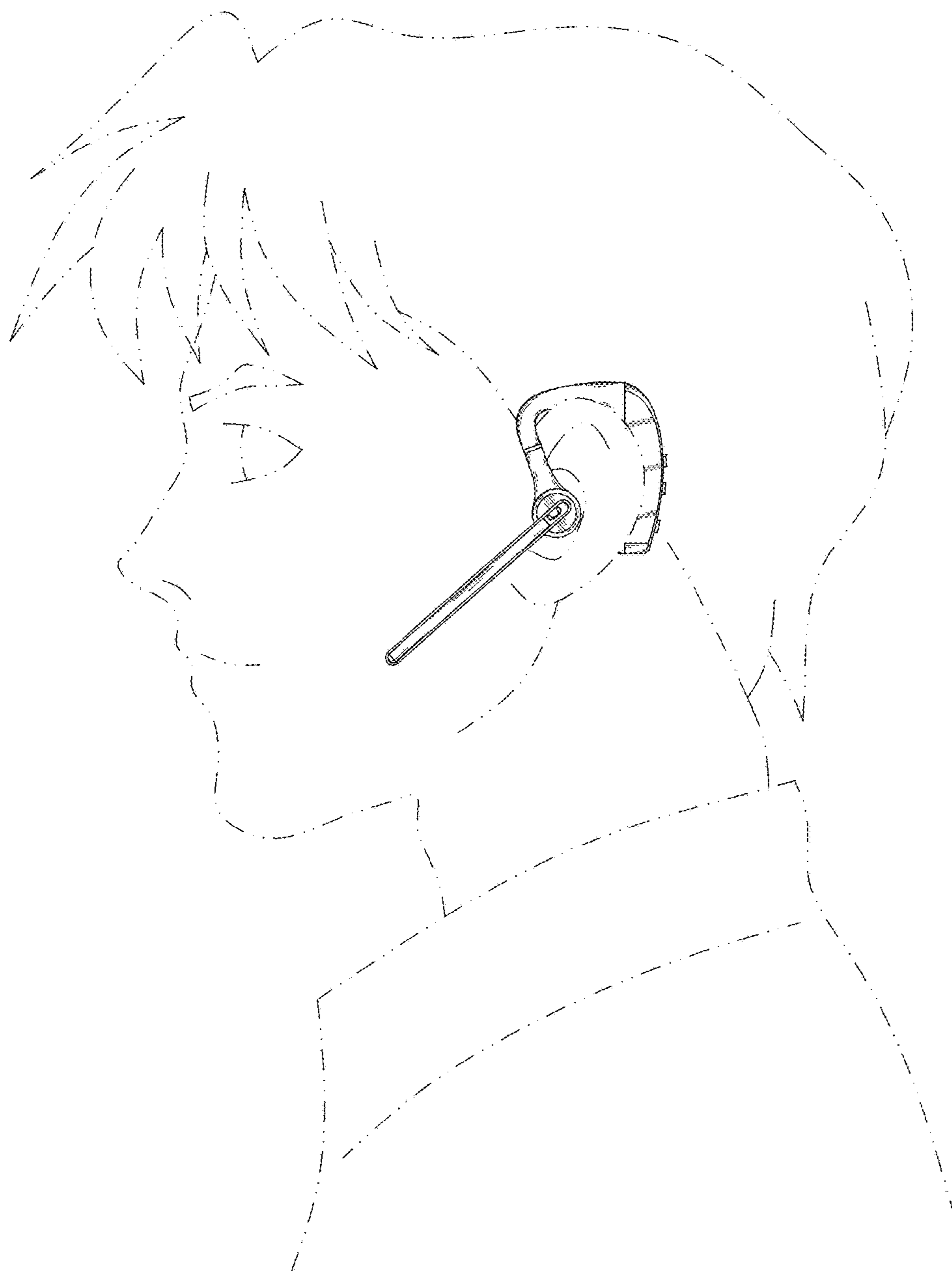


FIG. 9