



US00D830337S

(12) **United States Design Patent**
Yan

(10) **Patent No.:** **US D830,337 S**

(45) **Date of Patent:** **** Oct. 9, 2018**

(54) **WIRELESS HEADSET**

(71) Applicant: **SHENZHEN FUSHIKE ELECTRONIC CO., LTD**, Shenzhen, Guangdong (CN)

(72) Inventor: **Xiaohuang Yan**, Fuzhou (CN)

(73) Assignee: **SHENZHEN FUSHIKE ELECTRONIC CO., LTD**, Shenzhen, Guangdong (CN)

(**) Term: **15 Years**

(21) Appl. No.: **29/605,462**

(22) Filed: **May 26, 2017**

(51) **LOC (11) Cl.** **14-01**

(52) **U.S. Cl.**
USPC **D14/206**

(58) **Field of Classification Search**
USPC D14/206, 223, 205, 225, 226; 181/129, 181/130, 135; 379/430, 431, 433.13; 381/380, 381, 370, 374, 322, 312; 455/90.3, 575.1, 569.1; D24/174
CPC H04R 25/00; H04R 1/10; H04R 1/105; H04R 1/1066; H04R 1/1016; H04R 5/033; H04R 5/0335

See application file for complete search history.

(56) **References Cited**

U.S. PATENT DOCUMENTS

4,617,431	A *	10/1986	Scott	H04M 1/05 181/20
5,412,736	A *	5/1995	Keliiliki	H04R 1/105 381/330
D385,036	S *	10/1997	Nielsen	D24/174
6,101,260	A *	8/2000	Jensen	H04M 1/05 379/430
6,233,344	B1 *	5/2001	Clegg	H04R 1/083 381/330
D445,415	S *	7/2001	Jaakkola	D14/223

D469,081	S *	1/2003	Perszyk	D14/205
D490,398	S *	5/2004	Gwee	D14/205
D501,196	S *	1/2005	Dyer	D14/205
D504,673	S *	5/2005	Dyer	D14/205
D506,462	S *	6/2005	Han	D14/205
D510,085	S *	9/2005	Suzuki	D14/223
D512,984	S *	12/2005	Ham	D14/205
D516,216	S *	2/2006	Portmann	D24/174
D518,473	S *	4/2006	Gwee	D14/205
7,089,042	B2 *	8/2006	Bodley	H04M 1/05 381/104
7,106,873	B1 *	9/2006	Harrison	H04R 25/456 381/330
D541,787	S *	5/2007	Ma	D14/205
D543,968	S *	6/2007	Wong	D14/205
D557,255	S *	12/2007	Shintani	D14/206
D571,784	S *	6/2008	Jensen	D14/205
D572,234	S *	7/2008	Reda	D14/205
D584,719	S *	1/2009	Brennwald	D14/205

(Continued)

Primary Examiner — Paula Allen Greene

(74) *Attorney, Agent, or Firm* — Li & Cai Intellectual Property (USA) Office

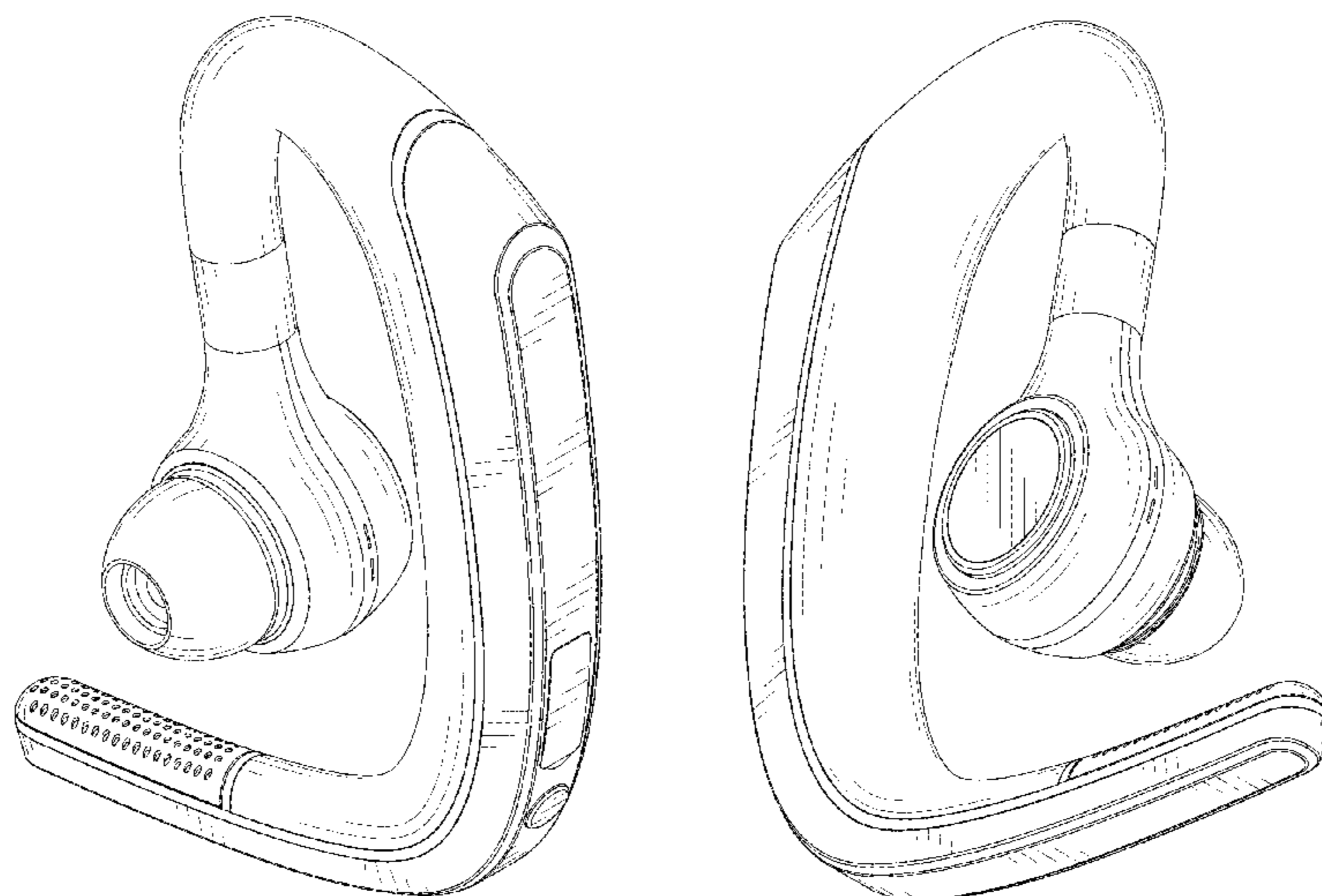
(57) **CLAIM**

The ornamental design for a “wireless headset”, as shown and described.

DESCRIPTION

FIG. 1 is a perspective view of a wireless headset showing our new design;
FIG. 2 is a front view thereof;
FIG. 3 is a rear view thereof;
FIG. 4 is a left side view thereof;
FIG. 5 is a right side view thereof;
FIG. 6 is a top view thereof;
FIG. 7 is a bottom view thereof; and,
FIG. 8 is a perspective view viewed from another visual angle thereof.

1 Claim, 6 Drawing Sheets



(56)

References Cited

U.S. PATENT DOCUMENTS

D586,329 S *	2/2009	Birger	D14/205	D726,147 S *	4/2015	Tran	D14/206
D603,372 S *	11/2009	Bentley	D14/206	9,031,275 B2 *	5/2015	Brodsgaard	H04R 1/105
7,648,005 B2 *	1/2010	Leong	A61F 11/08					381/370
				128/867	D746,260 S *	12/2015	Goransson	D14/206
D612,835 S *	3/2010	Yang	D14/206	D750,043 S *	2/2016	Birger	D14/206
D625,297 S *	10/2010	Tseng	D14/223	9,307,311 B2 *	4/2016	Tran	H04R 1/10
D635,960 S *	4/2011	Gondo	D14/223	D755,159 S *	5/2016	Birger	D14/206
D647,877 S *	11/2011	Son	D14/206	D775,610 S *	1/2017	Nakajima	D14/223
D651,197 S *	12/2011	Birger	D14/223	D784,291 S *	4/2017	Paterson	D14/206
D657,347 S *	4/2012	Chung	D14/206	D789,331 S *	6/2017	Paterson	D14/225
8,265,328 B2 *	9/2012	Milde	H04R 1/1066	D793,360 S *	8/2017	Birger	D14/206
				381/370	D797,076 S *	9/2017	Zhang	D14/206
D671,915 S *	12/2012	Birger	D14/206	D800,692 S *	10/2017	Tan	D14/206
D681,003 S *	4/2013	Ham	D14/206	D809,486 S *	2/2018	Arimoto	D14/223
D681,014 S *	4/2013	Ham	D14/206	D812,040 S *	3/2018	Yan	D14/206
D695,719 S *	12/2013	Burgett	D14/223	D816,637 S *	5/2018	Hardi	D14/205
D713,385 S *	9/2014	Burgett	D14/223	2005/0008178 A1 *	1/2005	Joergensen	H01H 13/702
									381/322
					2015/0237434 A1 *	8/2015	Tran	H04R 1/1008
									381/380

* cited by examiner

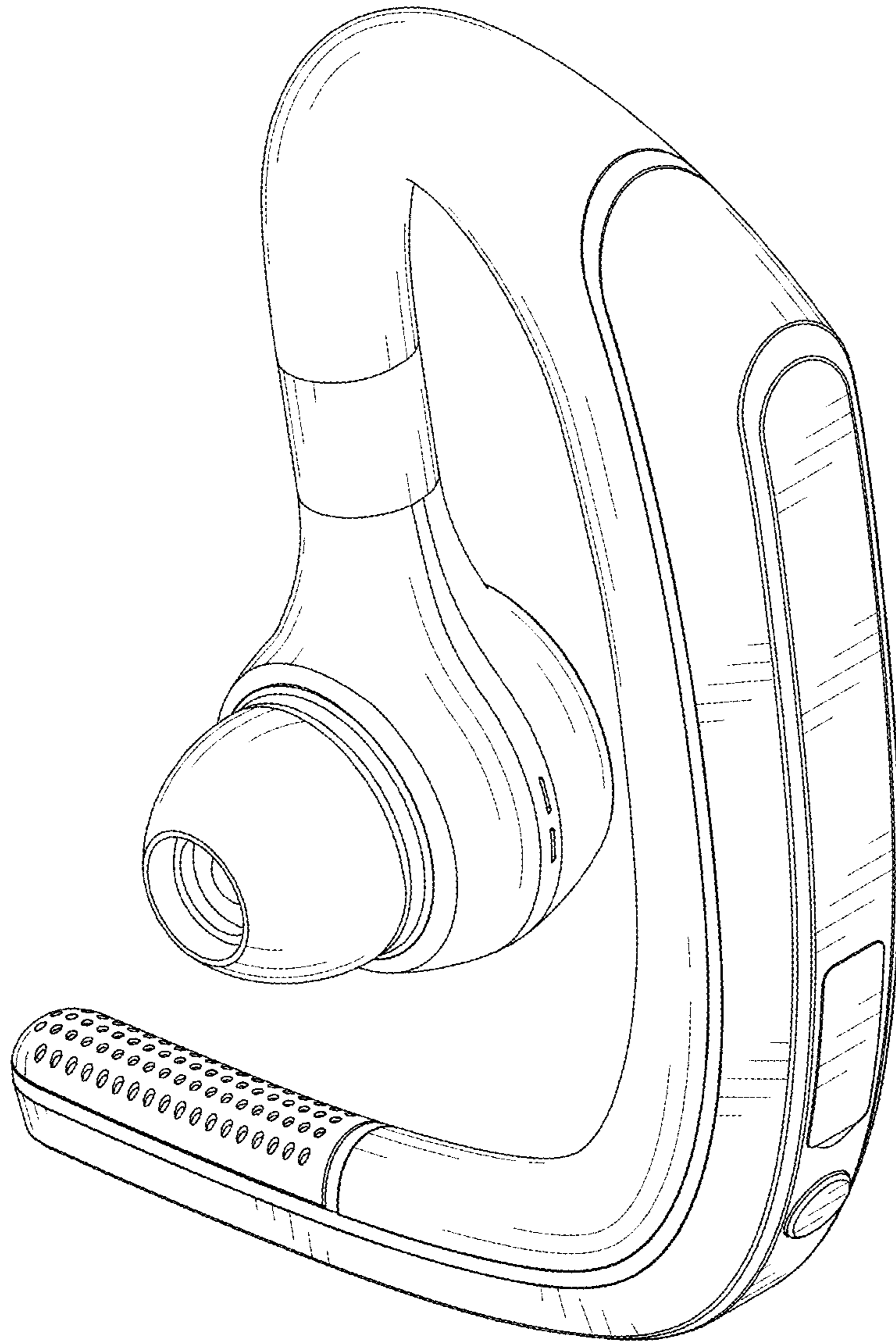


FIG. 1



FIG. 2

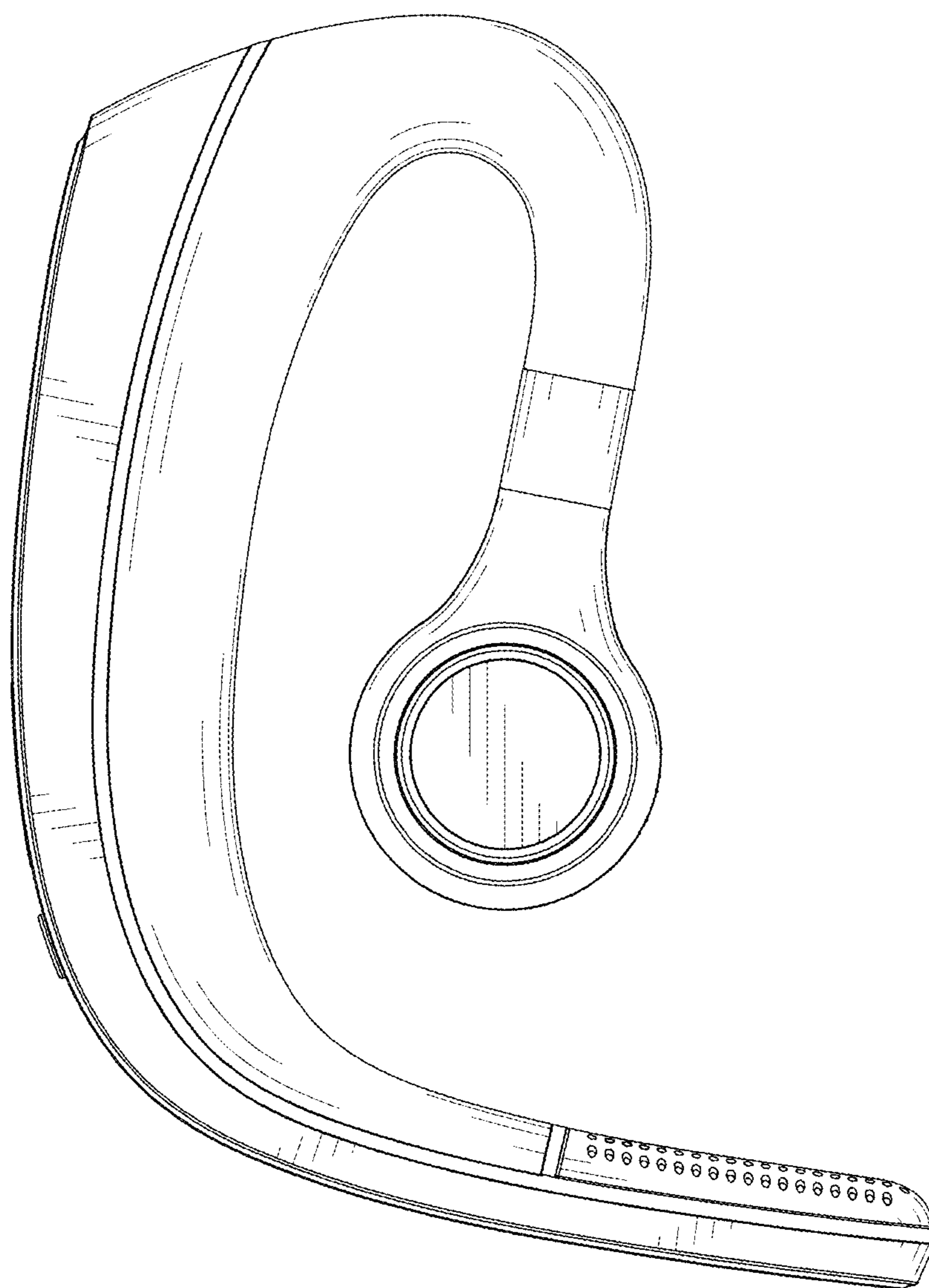


FIG. 3

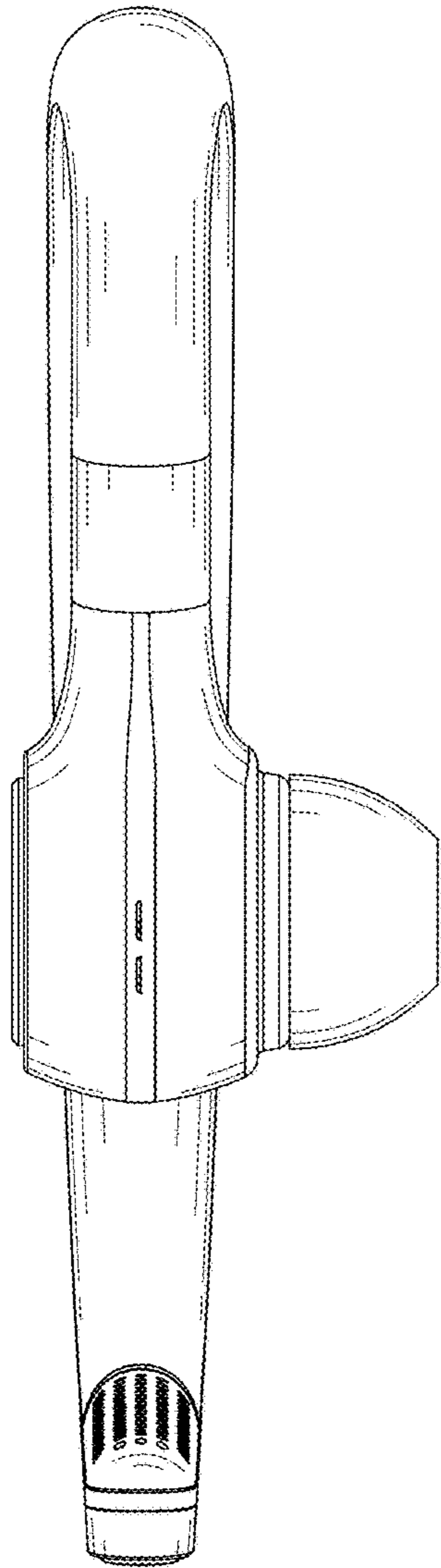


FIG. 4

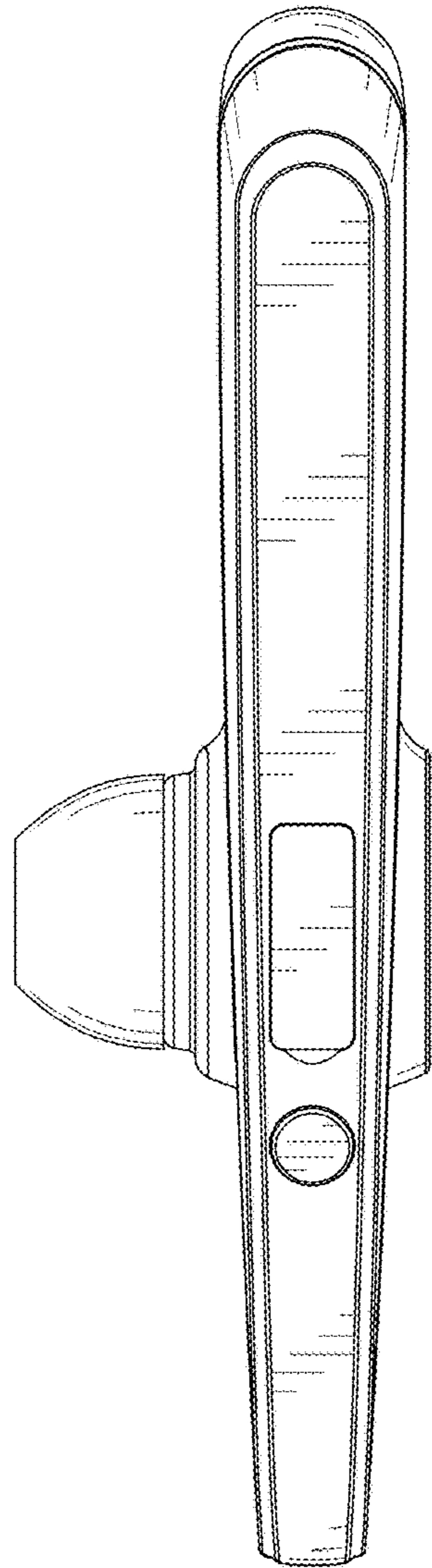


FIG. 5

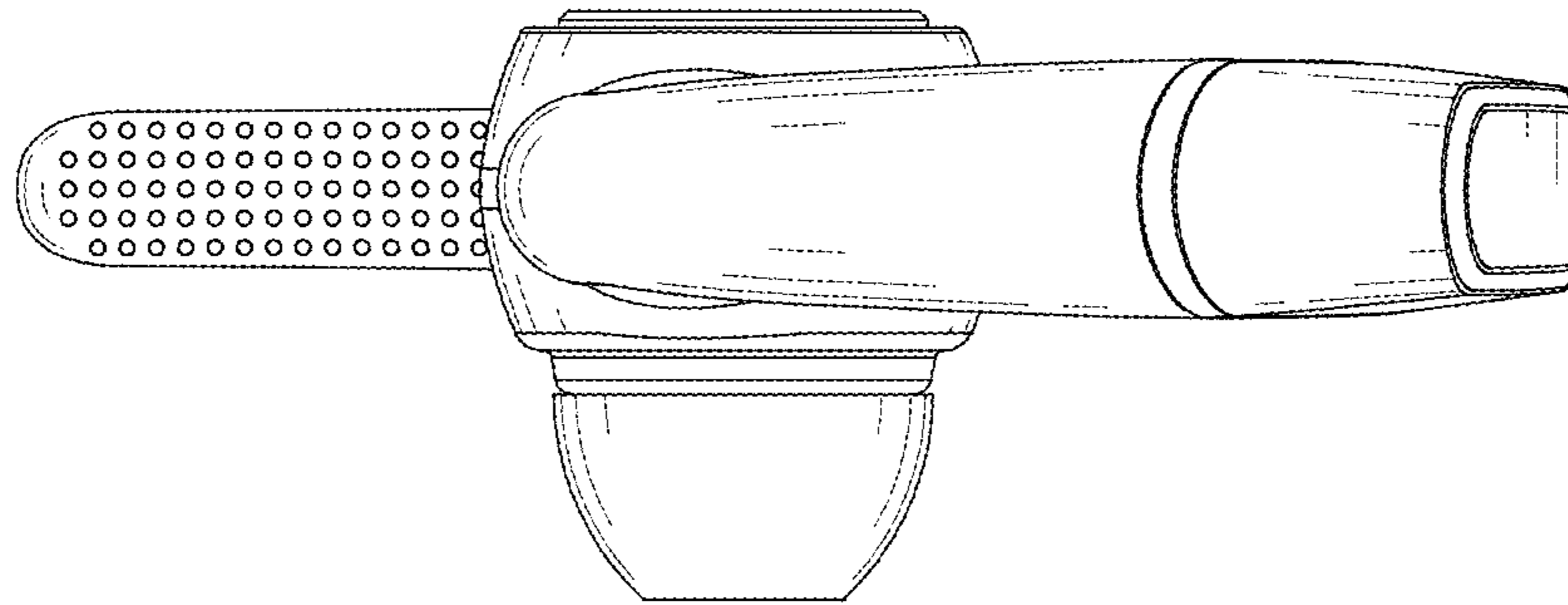


FIG. 6

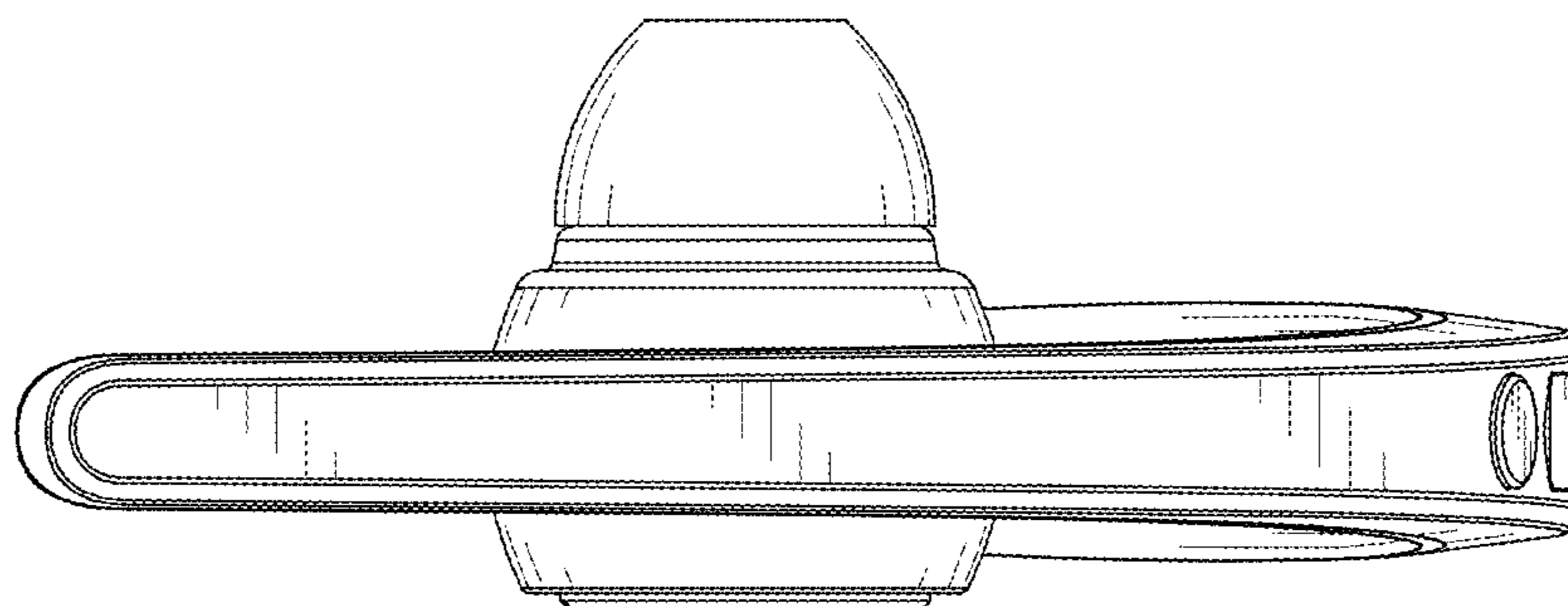


FIG. 7

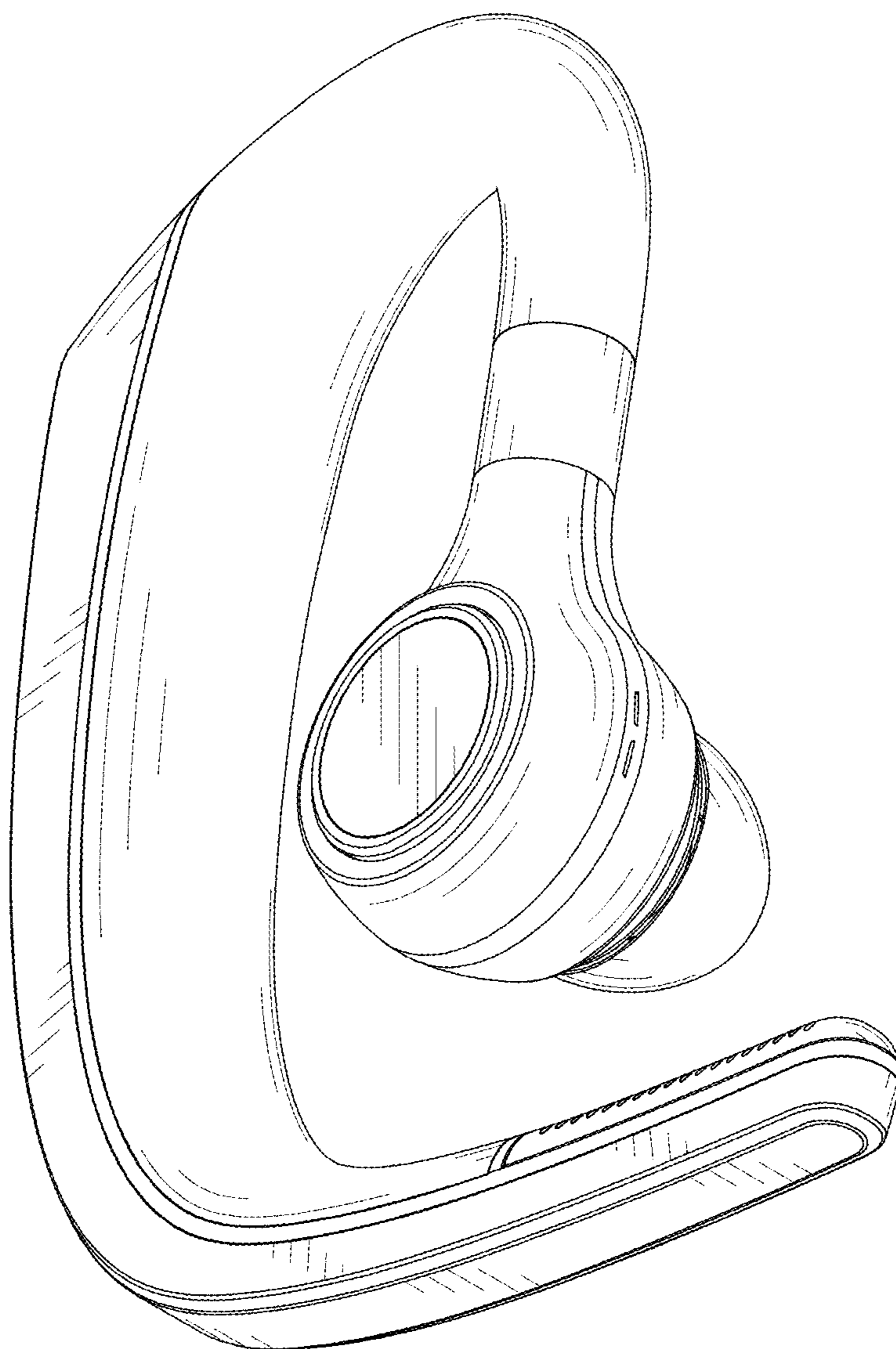


FIG. 8