



US00D830336S

(12) **United States Design Patent**
Cai

(10) **Patent No.:** **US D830,336 S**

(45) **Date of Patent:** **** Oct. 9, 2018**

(54) **EARPHONE**

(71) Applicant: **Guangzhou Lanshidun Electronic Limited Company, Guangzhou (CN)**

(72) Inventor: **Hejin Cai, Guangzhou (CN)**

(73) Assignee: **Guangzhou Lanshidun Electronic Limited Company, Guangzhou (CN)**

(**) Term: **15 Years**

(21) Appl. No.: **29/655,381**

(22) Filed: **Jul. 3, 2018**

(51) **LOC (11) Cl.** **14-01**

(52) **U.S. Cl.**
USPC **D14/205**

(58) **Field of Classification Search**
USPC D14/205, 223, 218; D24/174; 128/864, 128/865, 866; 181/129, 130, 135; 379/430, 431; 381/380, 381, 374, 74; 455/90.3, 575.1, 569.1; D13/168
CPC H04R 1/10; H04R 1/1033; H04R 1/105; H04R 1/1066; H04R 1/1016; H04R 5/033; H04R 5/0335; H04R 1/1091; H04R 1/20

See application file for complete search history.

(56) **References Cited**

U.S. PATENT DOCUMENTS

3,049,582 A * 8/1962 Shinn H01R 4/70
174/92
D314,964 S * 2/1991 Chung D14/188
D316,550 S * 4/1991 Sogabe D14/168
D326,655 S * 6/1992 Iribe D14/192
D392,979 S * 3/1998 Inukai D14/228
6,122,369 A * 9/2000 Hwang H04M 1/6058
379/420.03
D435,580 S * 12/2000 Grinkus D14/218
D458,246 S * 6/2002 Davies D14/206
D465,476 S * 11/2002 Golding D14/223

D466,499 S * 12/2002 Nakano D14/327
D473,217 S * 4/2003 Rivera D14/223
D475,996 S * 6/2003 Skulley D14/223
D539,782 S * 4/2007 Lee D14/188
D542,782 S * 5/2007 Pena Angarita D14/223
D554,627 S * 11/2007 Gondo D14/223
D555,152 S * 11/2007 Wang D14/223
D569,841 S * 5/2008 Chung D14/205
D572,703 S * 7/2008 Ledbetter D14/205
D573,978 S * 7/2008 Ledbetter D14/205
D575,268 S * 8/2008 Christopher D14/205
D582,354 S * 12/2008 Andre D13/158
D587,685 S * 3/2009 Densho D14/206
D589,493 S * 3/2009 Densho D14/206
D594,441 S * 6/2009 Lee D14/205

(Continued)

FOREIGN PATENT DOCUMENTS

CN 304380307 12/2017
EM 004064210-0001 7/2017

Primary Examiner — Paula Allen Greene
(74) *Attorney, Agent, or Firm* — JCIPRNET

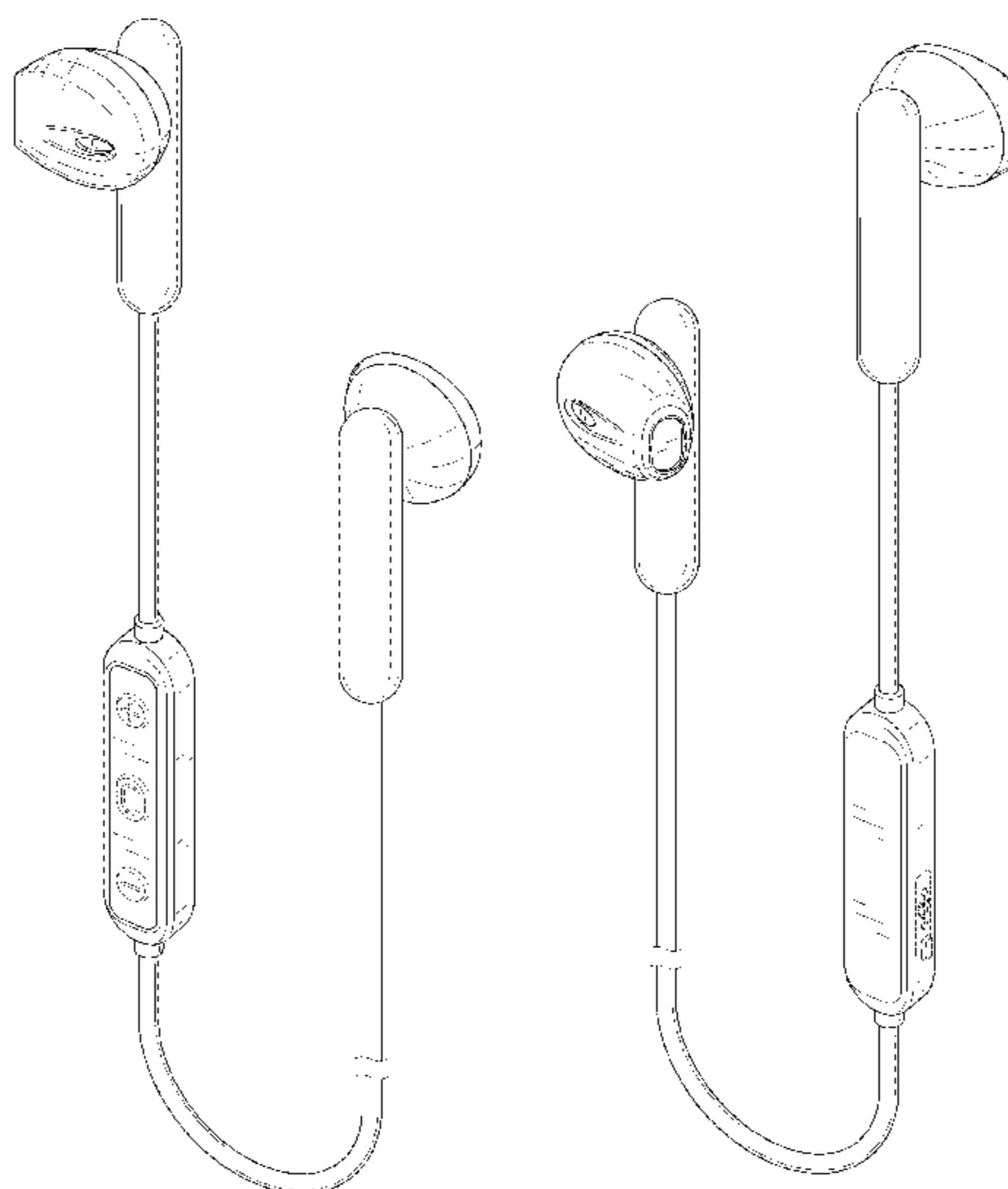
(57) **CLAIM**

The ornamental design for an earphone, as shown and described.

DESCRIPTION

FIG. 1 is a perspective view of an earphone showing my new design;
FIG. 2 is another perspective view thereof;
FIG. 3 is a front view thereof;
FIG. 4 is a rear view thereof;
FIG. 5 is a left side view thereof;
FIG. 6 is a right side view thereof;
FIG. 7 is a top view thereof; and,
FIG. 8 is a bottom view thereof.
The cord is shown with a symbolic break in its length. The appearance of any portion of the article between the break lines forms no part of the claimed design.

1 Claim, 6 Drawing Sheets



(56)

References Cited

U.S. PATENT DOCUMENTS

D597,071 S *	7/2009	Andre	D14/206	D762,196 S *	7/2016	Hsieh	D14/223
D598,894 S *	8/2009	Masuda	D14/205	D764,436 S *	8/2016	Dryden	D14/205
D599,778 S *	9/2009	Ando	D14/205	D770,425 S *	11/2016	Son	D14/205
D603,378 S *	11/2009	Paradise	D14/223	D773,435 S *	12/2016	Ott	D14/205
D603,837 S *	11/2009	Martin	D14/206	D780,155 S *	2/2017	Levine	D14/205
D614,166 S *	4/2010	Brickstad	D14/205	D780,157 S *	2/2017	Uggla	D14/205
D625,294 S *	10/2010	Wada	D14/218	D782,442 S *	3/2017	Chen	D14/205
D643,416 S *	8/2011	Chong	D14/223	D784,962 S *	4/2017	Yang	D14/223
D660,290 S *	5/2012	Weedon	D14/223	D785,594 S *	5/2017	Zaihui	D14/205
8,422,717 B2 *	4/2013	Lin	H04R 1/1091 181/129	D793,995 S *	8/2017	Nakagawa	D14/218
D682,808 S *	5/2013	Fletcher	D14/205	D801,314 S *	10/2017	Akana	D14/223
D685,750 S *	7/2013	Nakagawa	D13/168	D803,184 S *	11/2017	Loh Jun Kern	D14/205
D685,764 S *	7/2013	Coulter	D14/205	D803,185 S *	11/2017	Loh Jun Kern	D14/205
D695,724 S *	12/2013	Ishikura	D14/223	D810,047 S *	2/2018	Tzeng	D14/205
D698,750 S *	2/2014	Yoon	D14/205	D812,038 S *	3/2018	Nakajima	D14/205
D712,371 S *	9/2014	Henning	D14/205	D813,849 S *	3/2018	Andreen	D14/223
D716,268 S *	10/2014	Yamamoto	D14/218	D820,809 S *	6/2018	Akana	D14/205
D718,273 S *	11/2014	Harata	D14/205	D821,999 S *	7/2018	Guo	D14/205
D718,286 S *	11/2014	Yang	D14/223	2012/0155692 A1 *	6/2012	Chen	H04R 1/1058 381/380
D719,550 S *	12/2014	Yang	D14/223	2012/0237074 A1 *	9/2012	Aase	H04R 1/1016 381/380
D727,871 S *	4/2015	Orbach	D14/205	2013/0004011 A1 *	1/2013	Hayashida	H04R 1/1016 381/380
D733,101 S *	6/2015	Pi	D14/223	2013/0343593 A1 *	12/2013	Howes	H04R 1/1016 381/380
D733,689 S *	7/2015	Narita	D14/223	2013/0343595 A1 *	12/2013	Zorkendorfer	H04R 1/10 381/380
D743,381 S *	11/2015	Pi	D14/218	2015/0382100 A1 *	12/2015	Azmi	H04R 1/1091 381/380
D755,758 S *	5/2016	Maier	D14/218	2017/0164087 A1 *	6/2017	Kurtz	H04R 1/1091
D755,759 S *	5/2016	Cai	D14/223				
D757,682 S *	5/2016	Perez	D14/205				
D758,353 S *	6/2016	Akana	D14/218				
D760,189 S *	6/2016	Loh Jun Kern	D14/205				

* cited by examiner

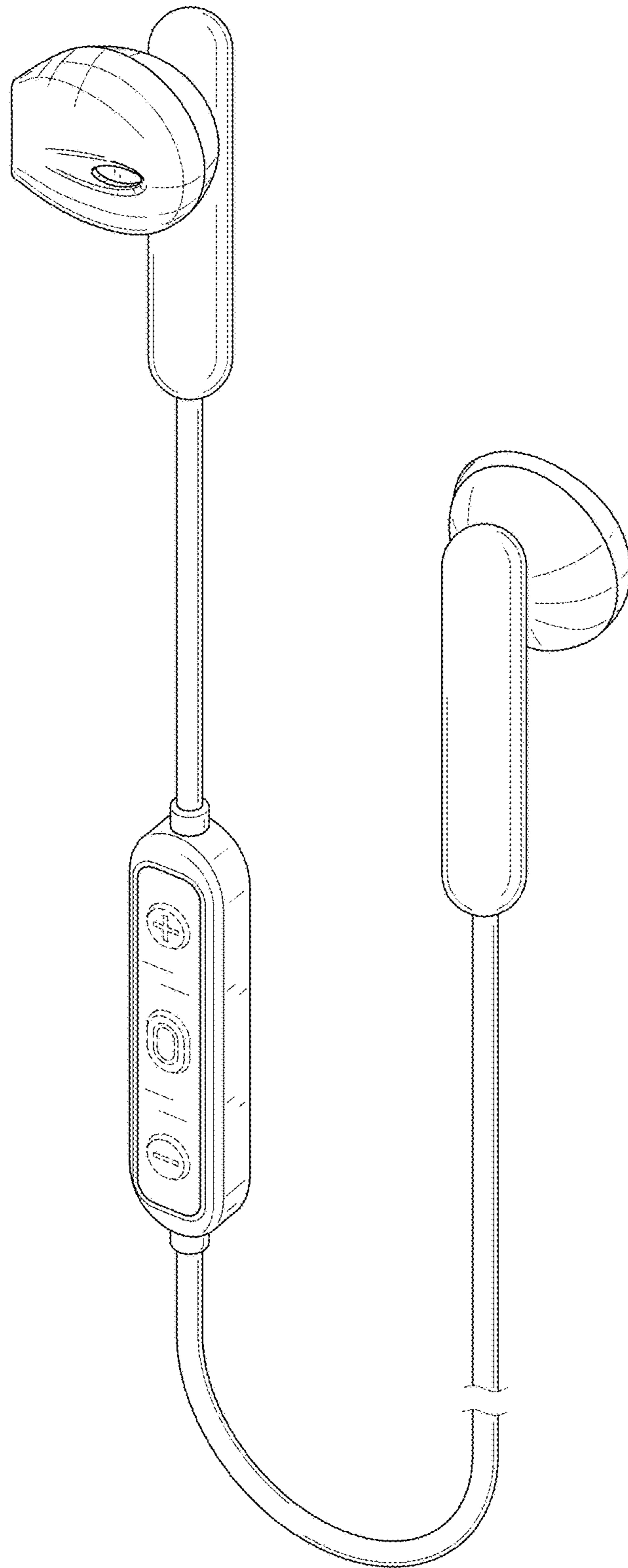


FIG. 1

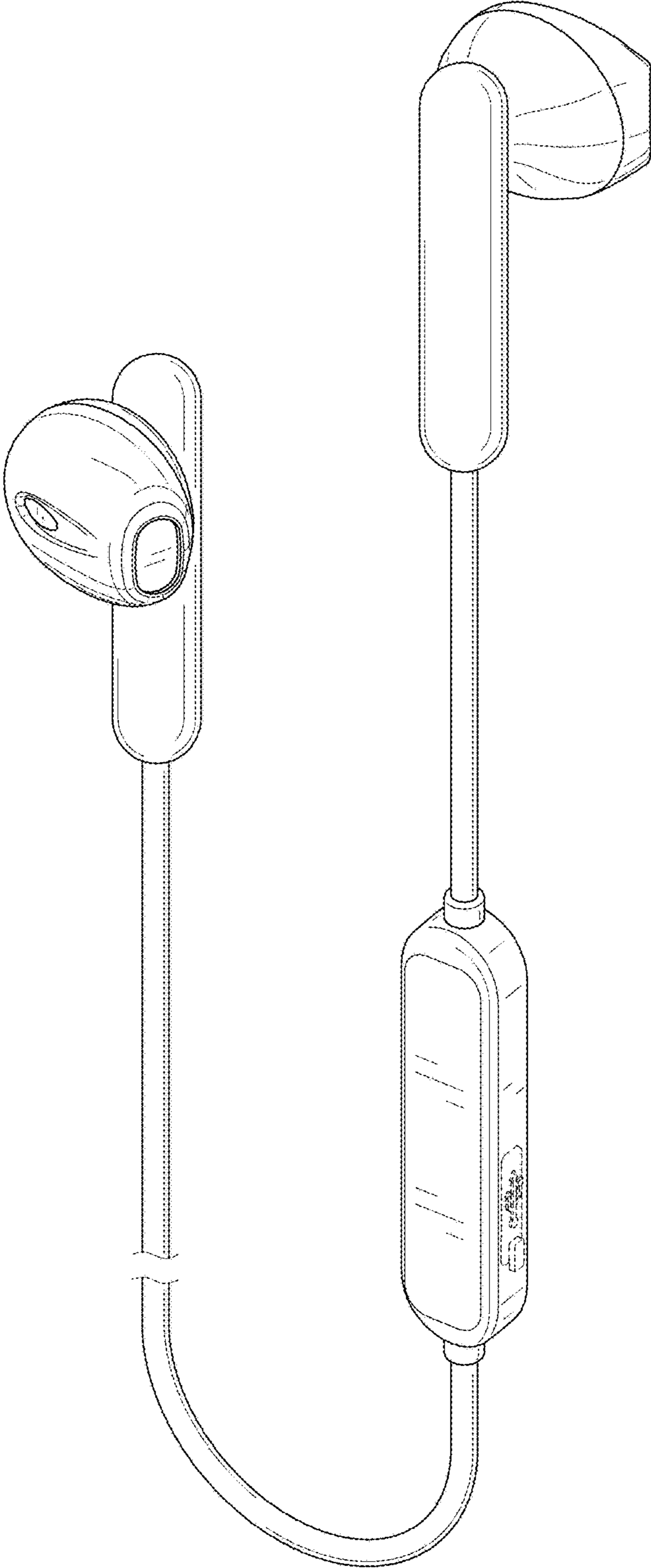


FIG. 2

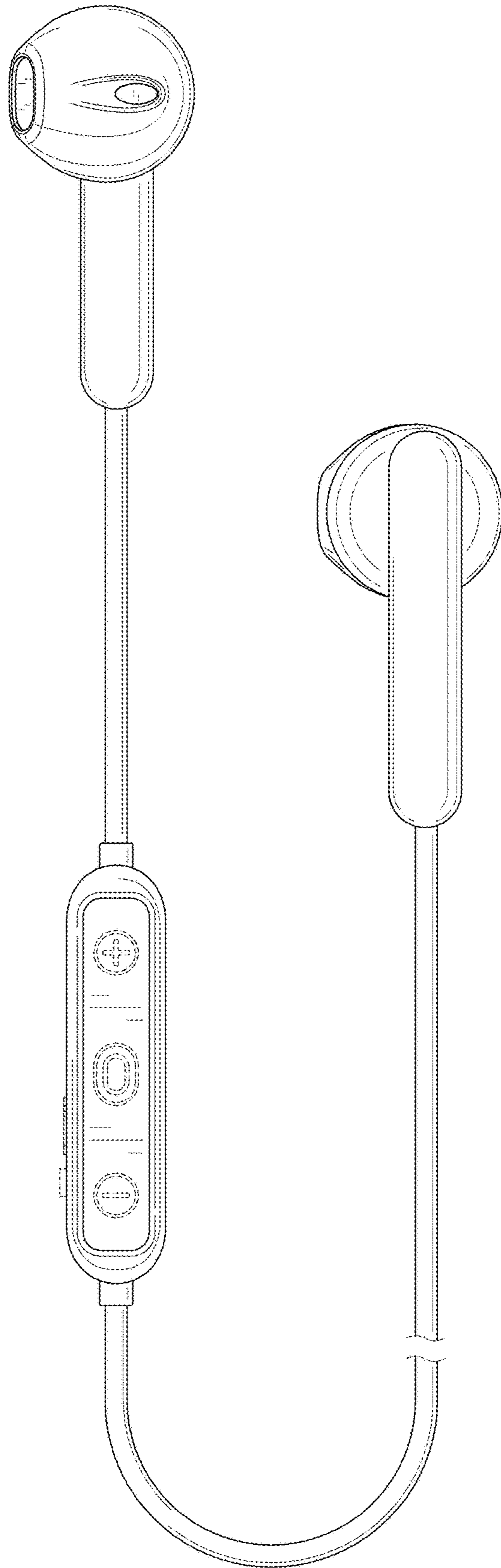


FIG. 3

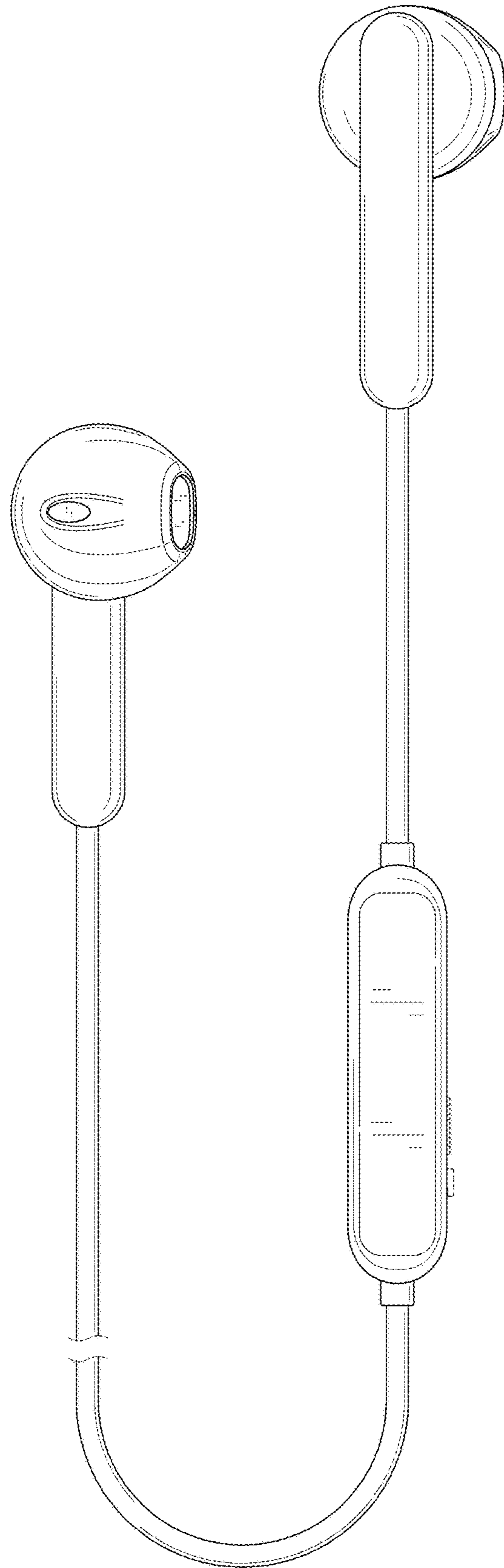


FIG. 4

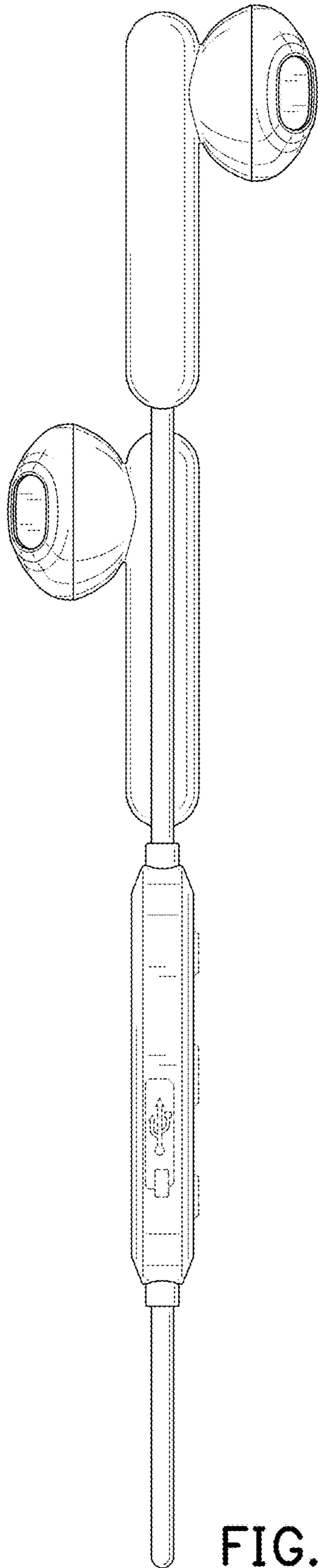


FIG. 5

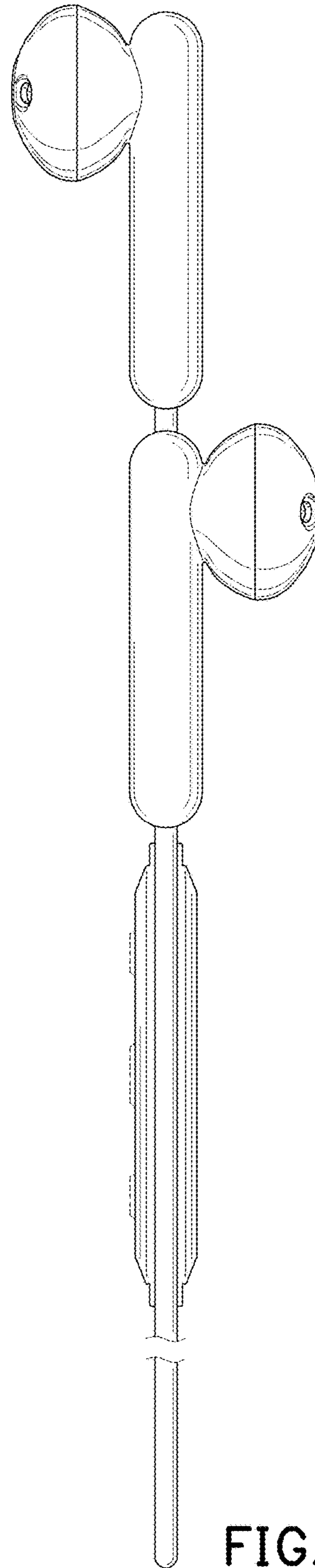


FIG. 6

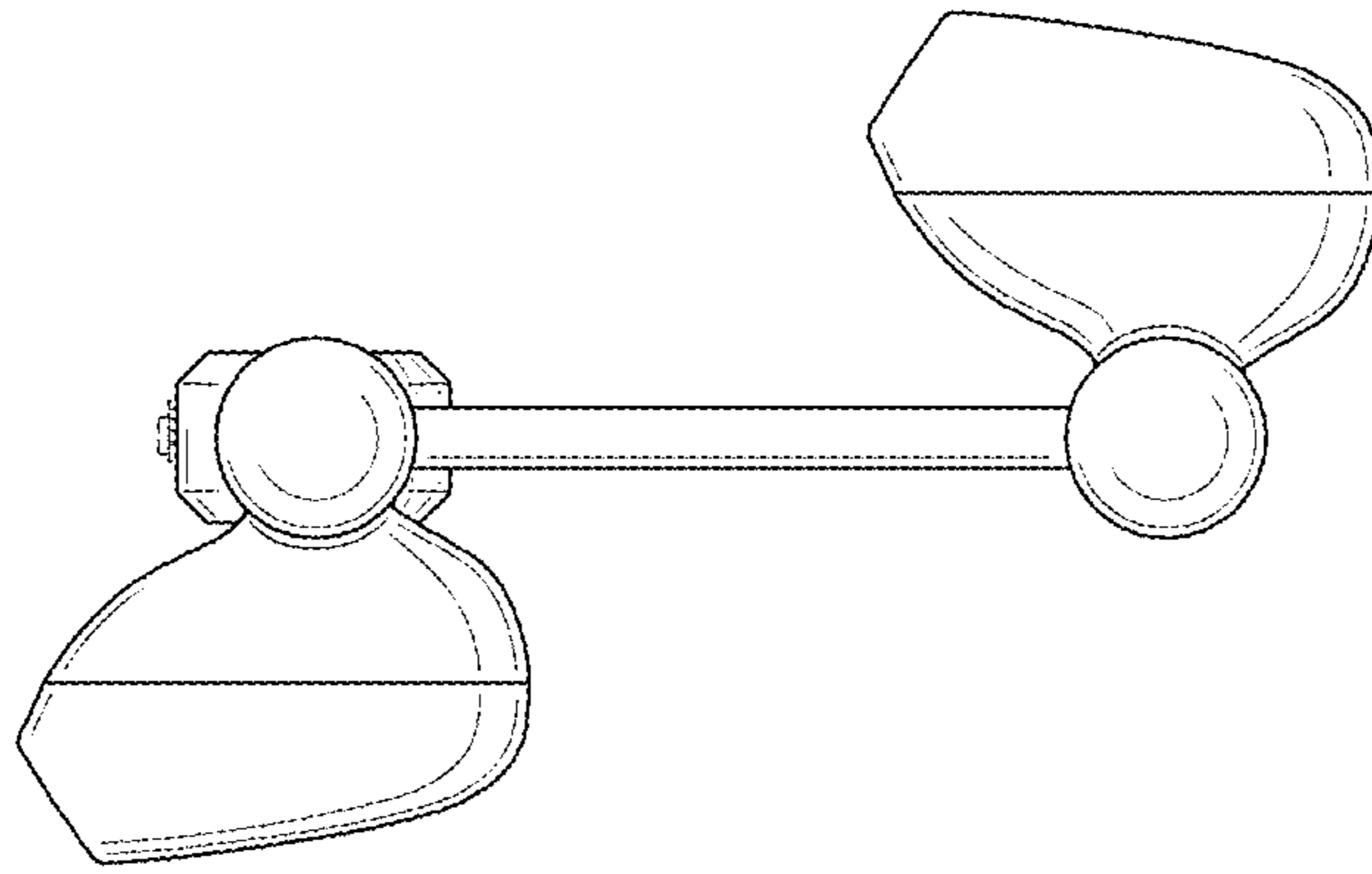


FIG. 7

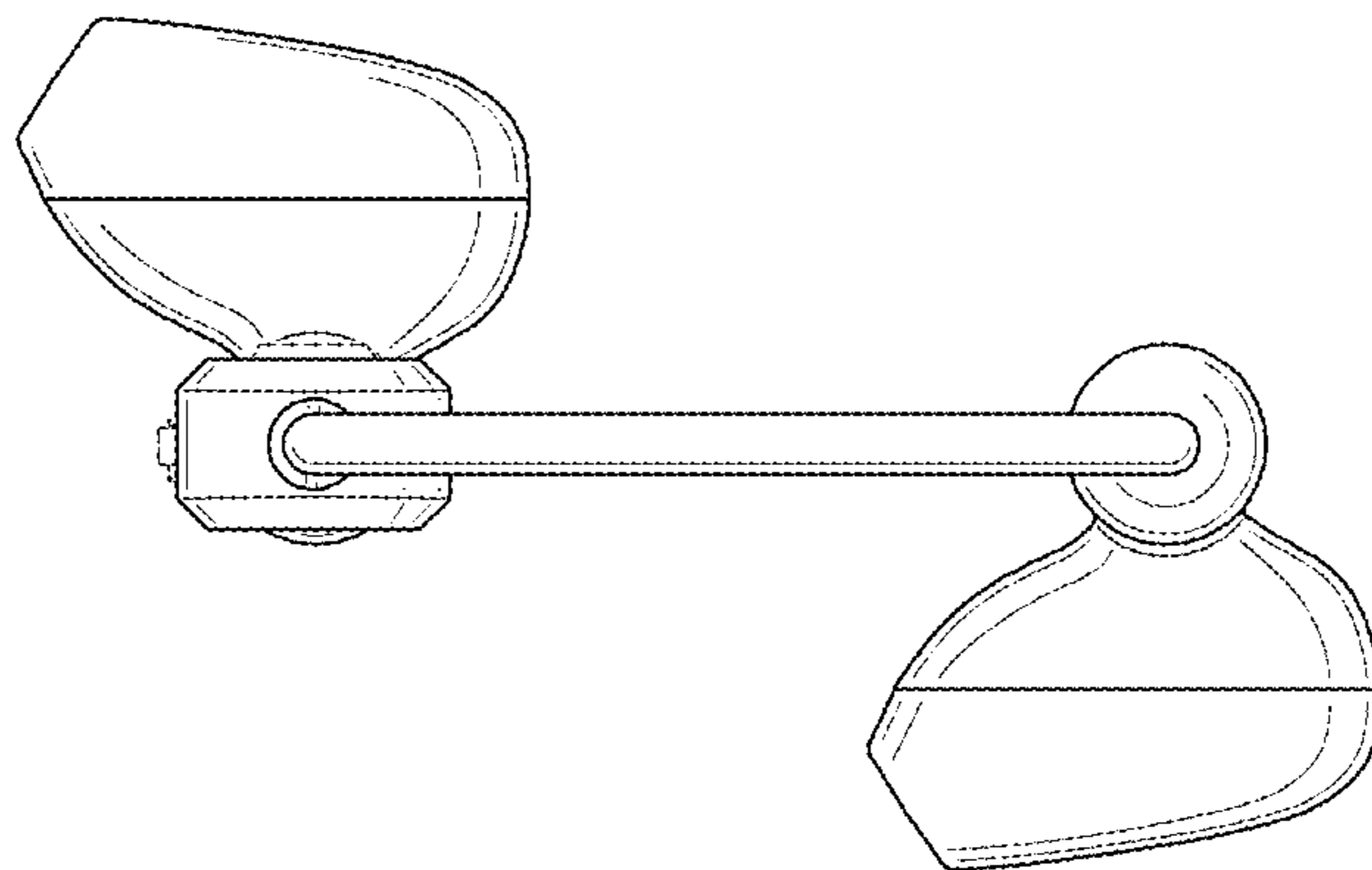


FIG. 8