



US00D830334S

(12) **United States Design Patent**  
**Carr**

(10) **Patent No.:** **US D830,334 S**

(45) **Date of Patent:** **\*\* Oct. 9, 2018**

(54) **COMMUNICATIONS HEADSET OR HEADPHONE**

(71) Applicant: **Plantronics, Inc.**, Santa Cruz, CA (US)

(72) Inventor: **Terry M Carr**, Santa Cruz, CA (US)

(73) Assignee: **Plantronics, Inc.**, Santa Cruz, CA (US)

(\*\*) Term: **15 Years**

(21) Appl. No.: **29/593,944**

(22) Filed: **Feb. 14, 2017**

(51) **LOC (11) Cl.** ..... **14-01**

(52) **U.S. Cl.**  
USPC ..... **D14/205**

(58) **Field of Classification Search**  
USPC ..... D14/205, 188, 192; D29/112, 122;  
D28/41; 132/212, 273; D24/106;  
181/129, 130, 135; 379/430, 431;  
381/380, 381, 374; 455/90.3, 575.1,  
455/569.1

CPC .... H04R 1/1066; H04R 1/1016; H04R 25/00;  
H04R 5/033; H04R 5/0335

See application file for complete search history.

(56) **References Cited**

**U.S. PATENT DOCUMENTS**

- 3,863,028 A \* 1/1975 Fixler ..... H04R 1/1075  
381/19
- D270,634 S \* 9/1983 Ungar ..... D14/205
- D316,861 S \* 5/1991 Yoda ..... D14/205
- D318,053 S \* 7/1991 Ludeke ..... D14/205
- D336,646 S \* 6/1993 Yamazaki ..... D14/205
- D346,802 S \* 5/1994 Sacherman ..... D14/206
- 5,381,486 A \* 1/1995 Ludeke ..... H04R 1/08  
16/367
- D358,391 S \* 5/1995 Isono ..... D14/205
- 5,793,878 A \* 8/1998 Chang ..... H04R 5/0335  
381/370

- D405,449 S \* 2/1999 Nakamura ..... D14/205
- D422,693 S \* 4/2000 Packard ..... D14/205
- 6,056,082 A \* 5/2000 Lindgren ..... A61F 11/12  
128/864
- D463,857 S \* 10/2002 Dix ..... D24/106
- 6,584,984 B2 \* 7/2003 Kelly ..... A45D 8/36  
132/212
- D484,485 S \* 12/2003 Matsuoka ..... D14/205

(Continued)

**FOREIGN PATENT DOCUMENTS**

- JP D1556190 S 8/2016
- JP D1568163 S 1/2017

**OTHER PUBLICATIONS**

Mitchell, "JVC HA-S400 and HA-SR500 Headphones," Sep. 19, 2012, 2 pages, found at URL <http://www.ecoustics.com/products/jvc-ha-s400-ha-sr500-headphones/>.

(Continued)

*Primary Examiner* — Paula Allen Greene

(57) **CLAIM**

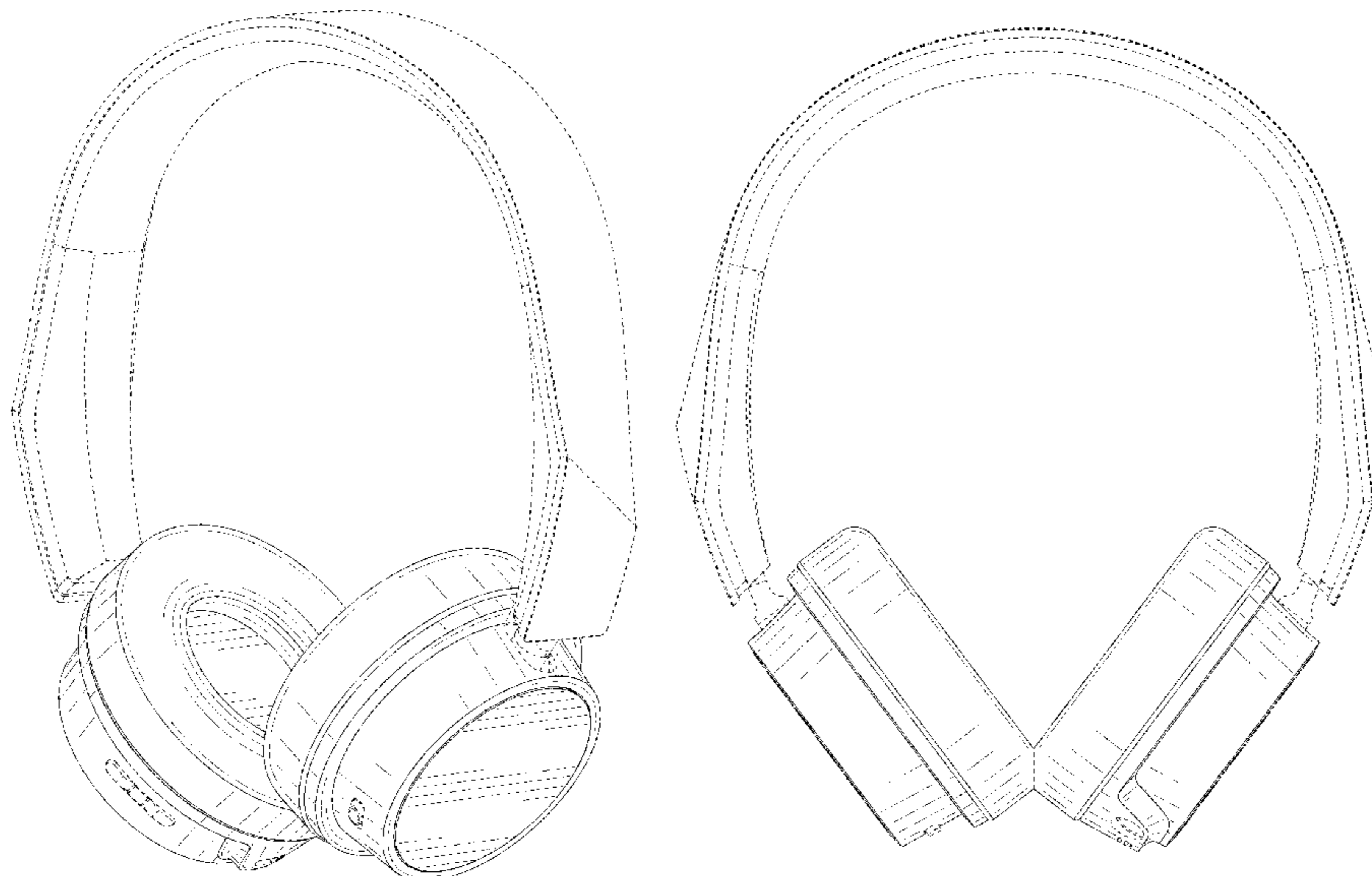
The ornamental design for a communications headset or headphone, as shown and described.

**DESCRIPTION**

FIG. 1 is a back-left perspective view of a communications headset or headphone showing my new design; FIG. 2 is a front-right perspective view thereof; FIG. 3 is a front view thereof; FIG. 4 is a back side view thereof; FIG. 5 is a left side view thereof; FIG. 6 is a right side view thereof; FIG. 7 is a top view thereof; and, FIG. 8 is a bottom view thereof.

The broken lines showing the unclaimed features form no part of the claimed design.

**1 Claim, 6 Drawing Sheets**



(56)

References Cited

U.S. PATENT DOCUMENTS

D492,943 S \* 7/2004 Komiyama ..... D14/205  
 D519,985 S \* 5/2006 Wikel ..... D14/205  
 D534,155 S \* 12/2006 Obata ..... D14/205  
 D534,156 S \* 12/2006 Obata ..... D14/205  
 D540,301 S \* 4/2007 Obata ..... D14/205  
 D549,688 S \* 8/2007 Suzuki ..... D14/205  
 D568,290 S \* 5/2008 Wikel ..... D14/205  
 D573,581 S \* 7/2008 Gondo ..... D14/205  
 D593,995 S \* 6/2009 Shimizu ..... D14/205  
 D603,370 S \* 11/2009 Suzuki ..... D14/205  
 D616,418 S \* 5/2010 Morisawa ..... D14/205  
 D617,770 S \* 6/2010 Sanguinetti ..... D14/205  
 D625,705 S 10/2010 Ohori et al.  
 D635,957 S \* 4/2011 Hirano ..... D14/205  
 D639,776 S 6/2011 Arimoto  
 D671,914 S \* 12/2012 Lee ..... D14/205  
 D673,522 S \* 1/2013 Iijima ..... D14/205  
 D677,647 S \* 3/2013 Lee ..... D14/205  
 D691,583 S \* 10/2013 Kitayama ..... D14/205  
 8,767,996 B1 \* 7/2014 Lin ..... H04R 1/1091  
 381/370  
 D710,822 S \* 8/2014 Gan ..... H04R 1/1066  
 D14/205

D711,347 S \* 8/2014 Gan ..... H04R 1/1066  
 D14/205  
 D713,374 S \* 9/2014 Farrage ..... D14/205  
 D719,133 S \* 12/2014 Gan ..... D14/205  
 D719,134 S \* 12/2014 Gan ..... D14/205  
 D722,998 S \* 2/2015 Sancho ..... D14/205  
 D729,196 S \* 5/2015 Liu ..... D14/205  
 D733,090 S \* 6/2015 Petersen ..... D14/205  
 D741,289 S \* 10/2015 Schaal ..... D14/205  
 D768,111 S \* 10/2016 Nam ..... D14/205  
 D769,221 S 10/2016 Pedersen  
 D777,701 S \* 1/2017 Czaniecki ..... D14/205  
 D794,602 S \* 8/2017 Riggs ..... D14/205  
 D795,223 S \* 8/2017 Carr ..... D14/223  
 2009/0285433 A1 \* 11/2009 Yang ..... H04R 1/1091  
 381/370

OTHER PUBLICATIONS

Williams, B&O BeoPlay H6 Review, Jan. 2, 2014, 12 pages, found at URL <http://www.trustedreviews.com/b-o-beoplay-h6-review>.  
 Taiwan IPO Search Report issued in corresponding Taiwanese Design Registration Application No. 106304482 dated Mar. 22, 2018.

\* cited by examiner

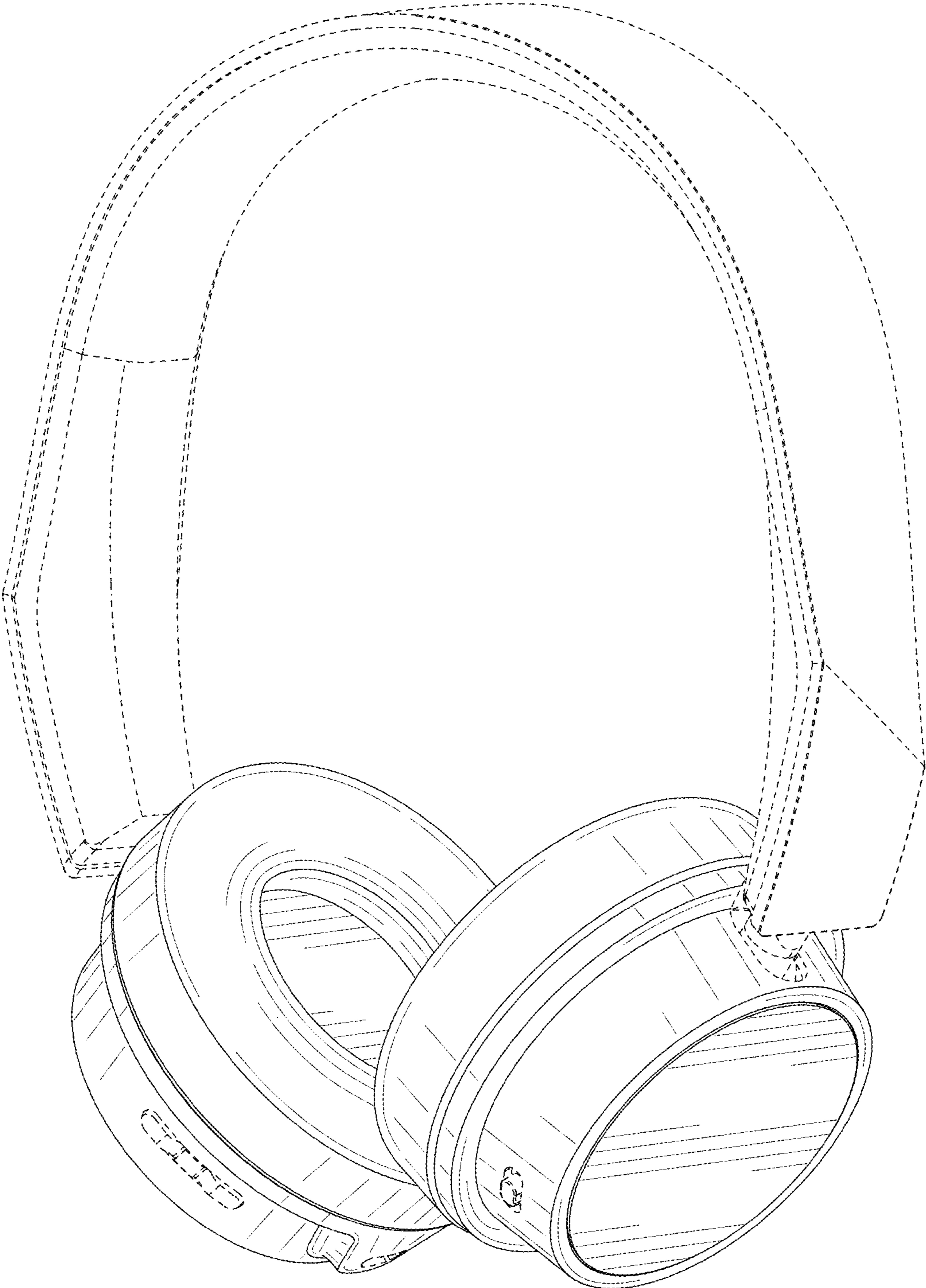


FIG. 1

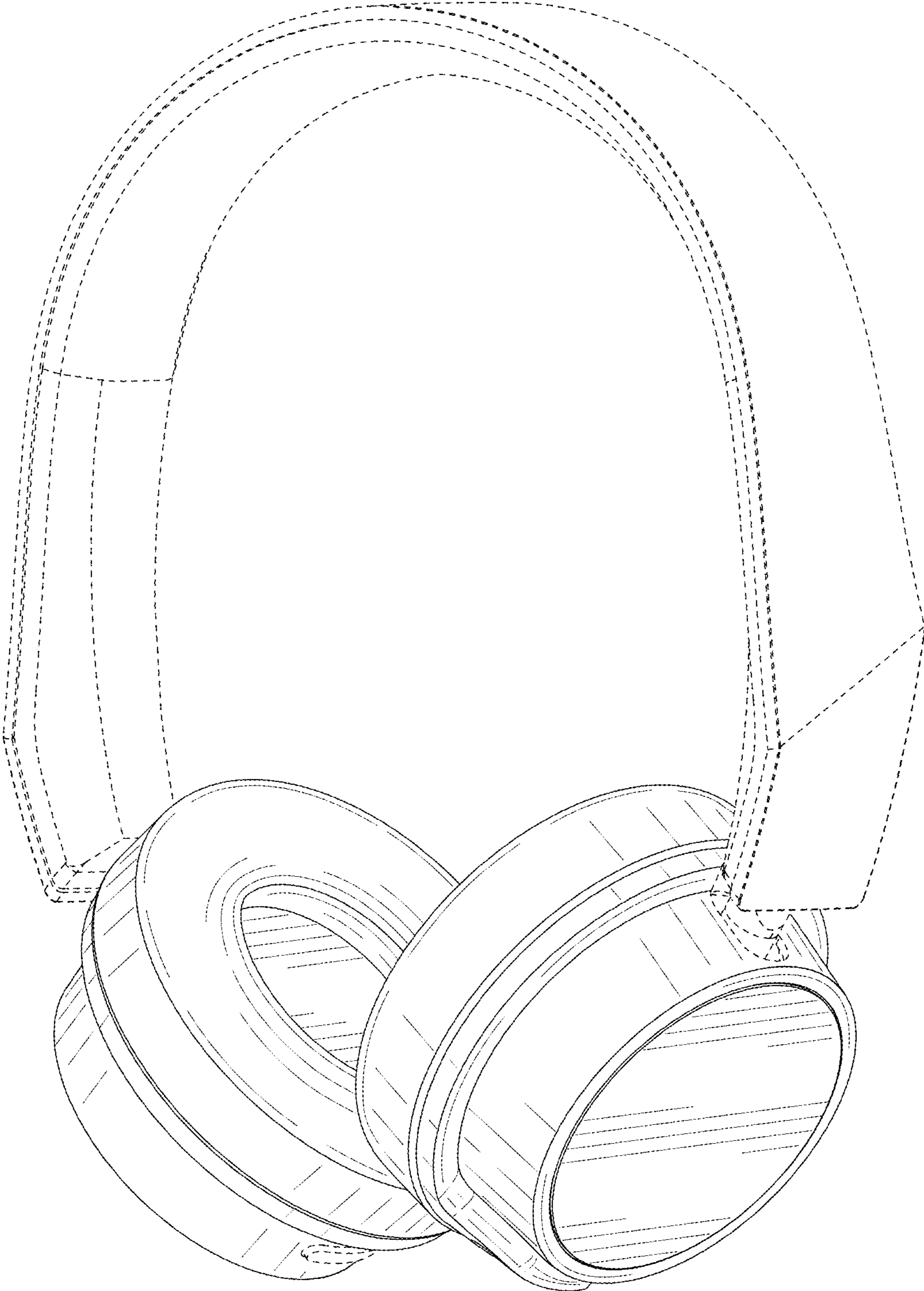


FIG. 2



FIG. 3

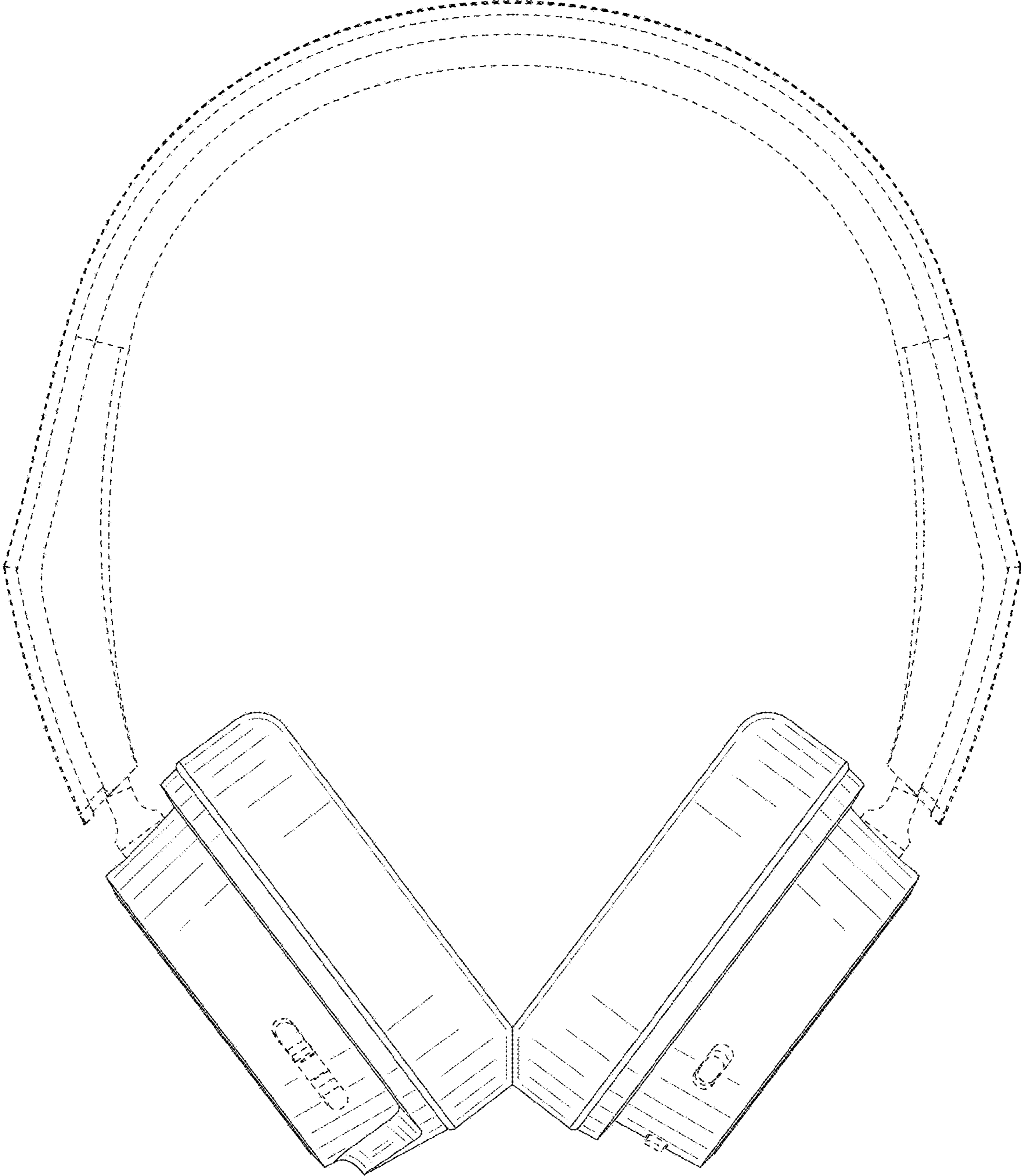
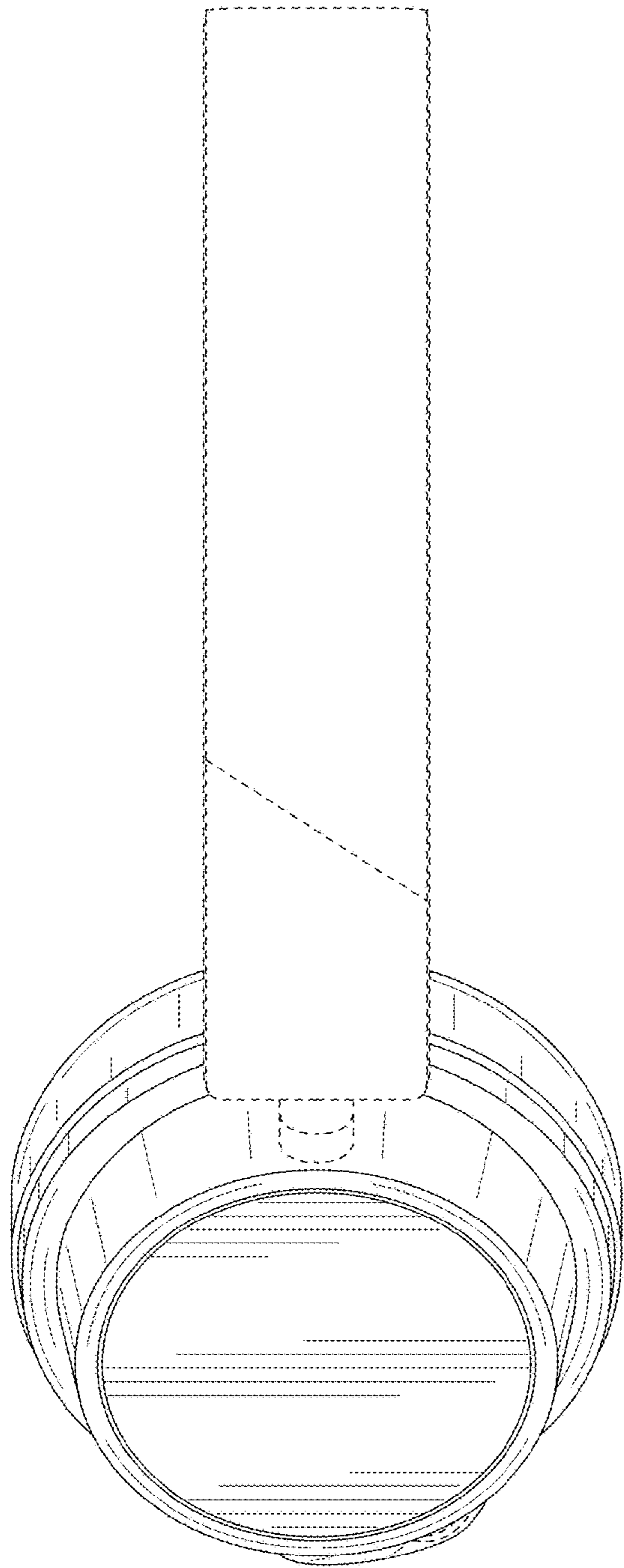
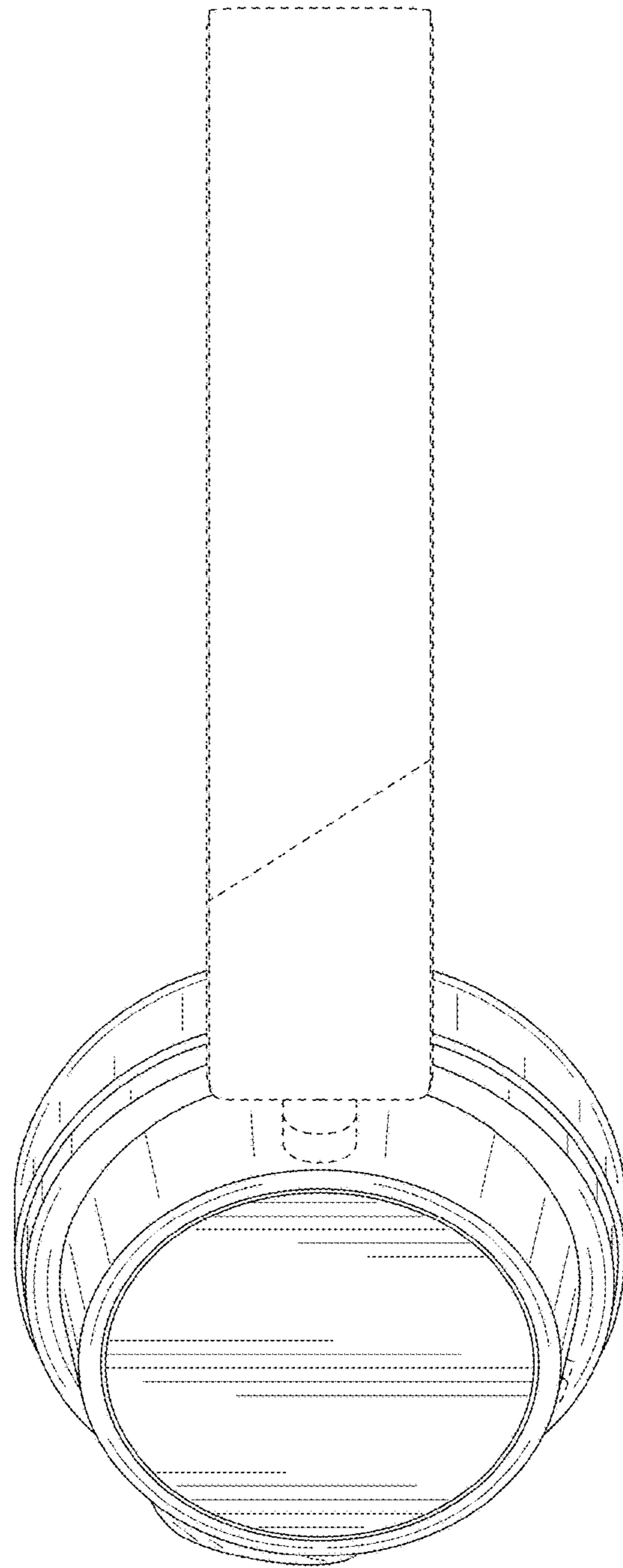


FIG. 4



**FIG. 5**



**FIG. 6**

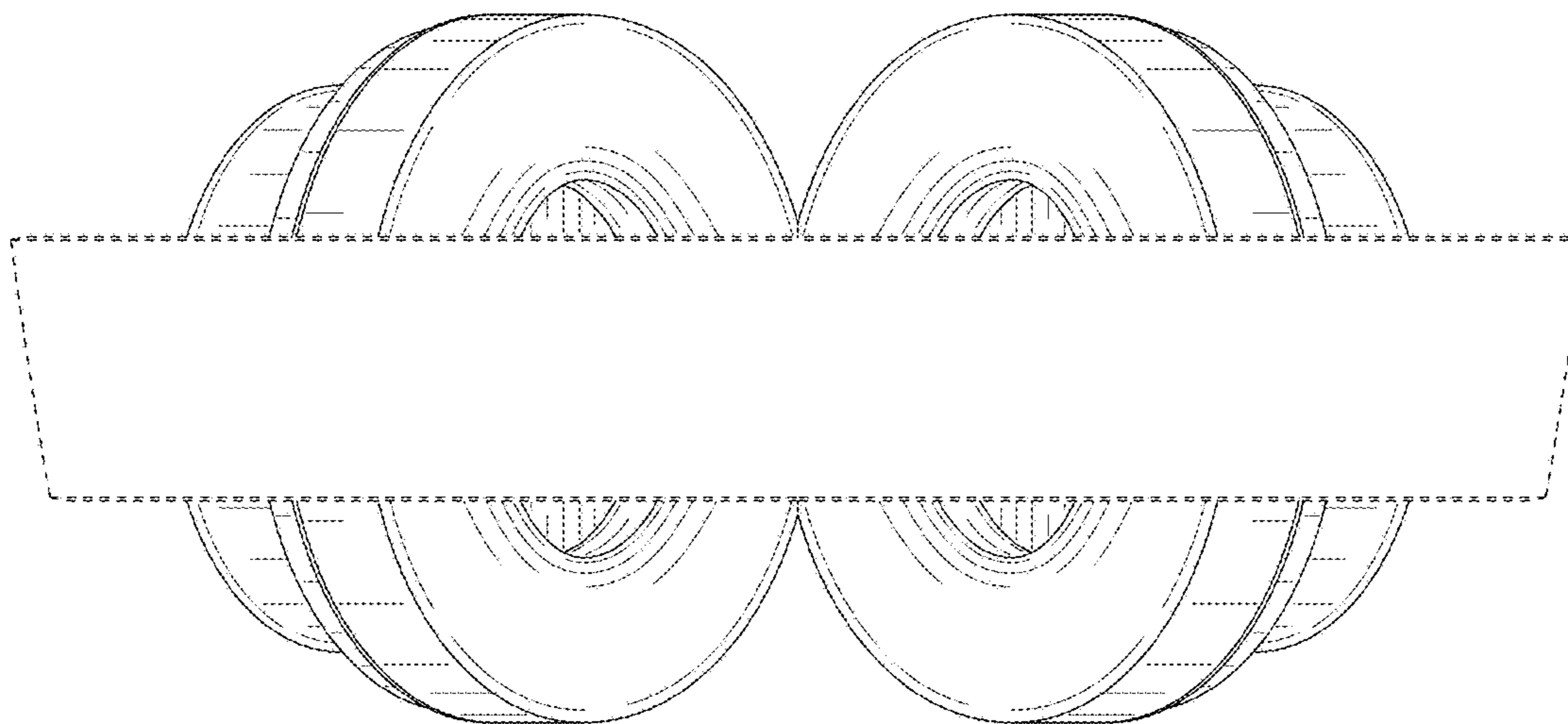


FIG. 7

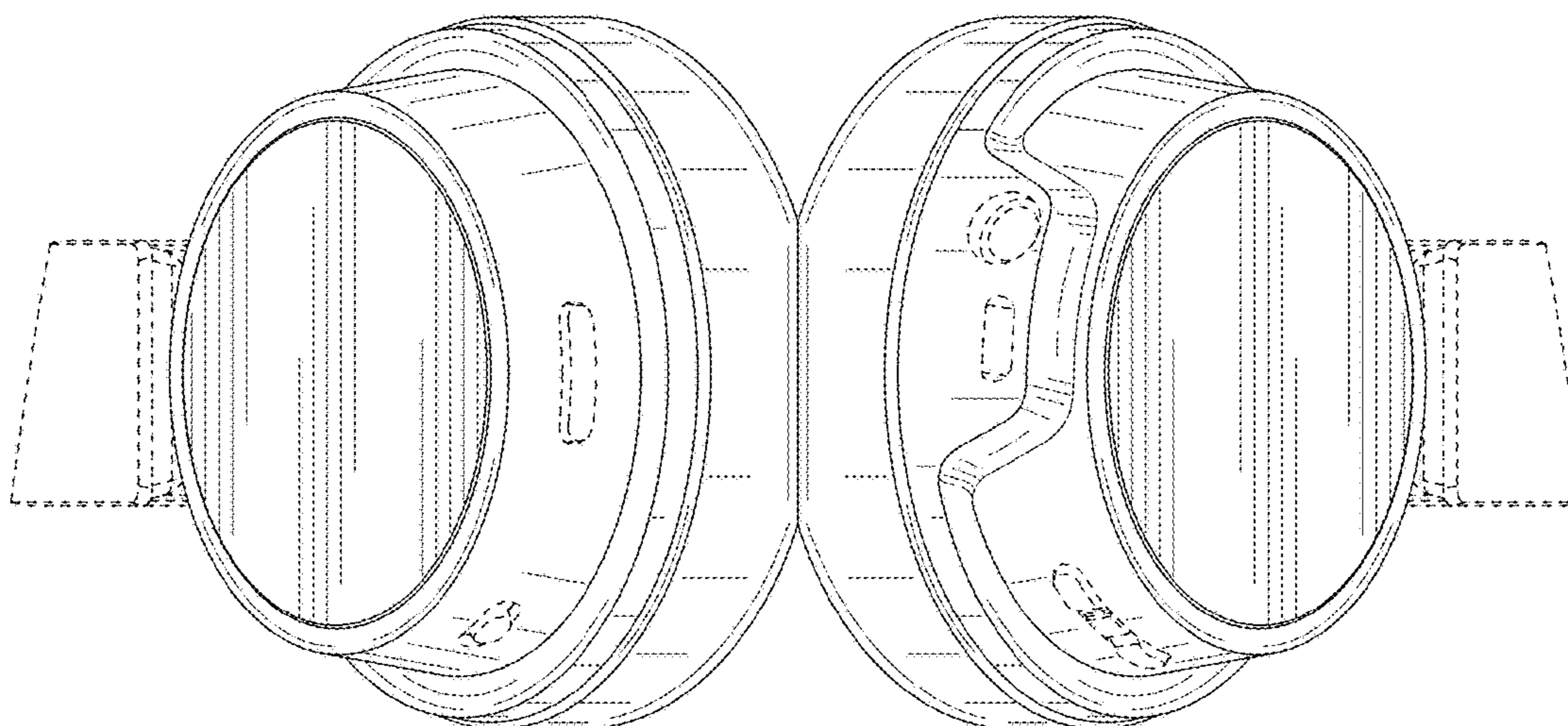


FIG. 8