



US00D830329S

(12) **United States Design Patent** (10) **Patent No.:** **US D830,329 S**
Trasmonte et al. (45) **Date of Patent:** **** Oct. 9, 2018**

(54) **SPEAKER**

(71) Applicant: **Dolby Laboratories Licensing Corporation**, San Francisco, CA (US)
 (72) Inventors: **George Trasmonte**, San Jose, CA (US); **Meiling Zhang**, San Francisco, CA (US); **Kelvin Francis Griffiths**, Bridgend (GB)
 (73) Assignee: **Dolby Laboratories Licensing Corporation**, San Francisco, CA (US)

(**) Term: **15 Years**

(21) Appl. No.: **29/602,248**

(22) Filed: **Apr. 28, 2017**

(51) **LOC (11) Cl.** **14-01**

(52) **U.S. Cl.**
USPC **D14/204**

(58) **Field of Classification Search**
 USPC D14/167, 168, 170–172, 188, 204, 209.1, D14/210–216, 219, 221, 222, 224; 181/144, 148, 153, 157, 198; 369/6–12; 381/301–303, 306, 332, 334, 336, 345, 381/361–363, 386–388
 CPC G06F 1/1688; H04R 1/02; H04R 1/025; H04R 1/026; H04R 1/323; H04R 1/403; H04R 1/2803; H04R 1/2834; H04R 5/02; H04R 9/06; H04R 2201/021; H04R 2400/00; H04R 2400/07; H04R 2499/11

See application file for complete search history.

(56) **References Cited**

U.S. PATENT DOCUMENTS

D241,554 S *	9/1976	Bertagni	D14/211
D304,586 S *	11/1989	Freadnnan	D14/213
D569,852 S *	5/2008	Yonehara	D14/225
D607,873 S *	1/2010	Lee	D14/203.3
D643,401 S *	8/2011	Chen	D14/203.3
D648,340 S *	11/2011	Okura	D14/480.7
D666,163 S *	8/2012	Hsu	D14/125
8,649,550 B2	2/2014	Shi et al.	
D741,825 S *	10/2015	James	D14/125

* cited by examiner

Primary Examiner — Derrick E Holland
Assistant Examiner — Janice Julia Patyk
 (74) *Attorney, Agent, or Firm* — Saidman DesignLaw Group, LLC

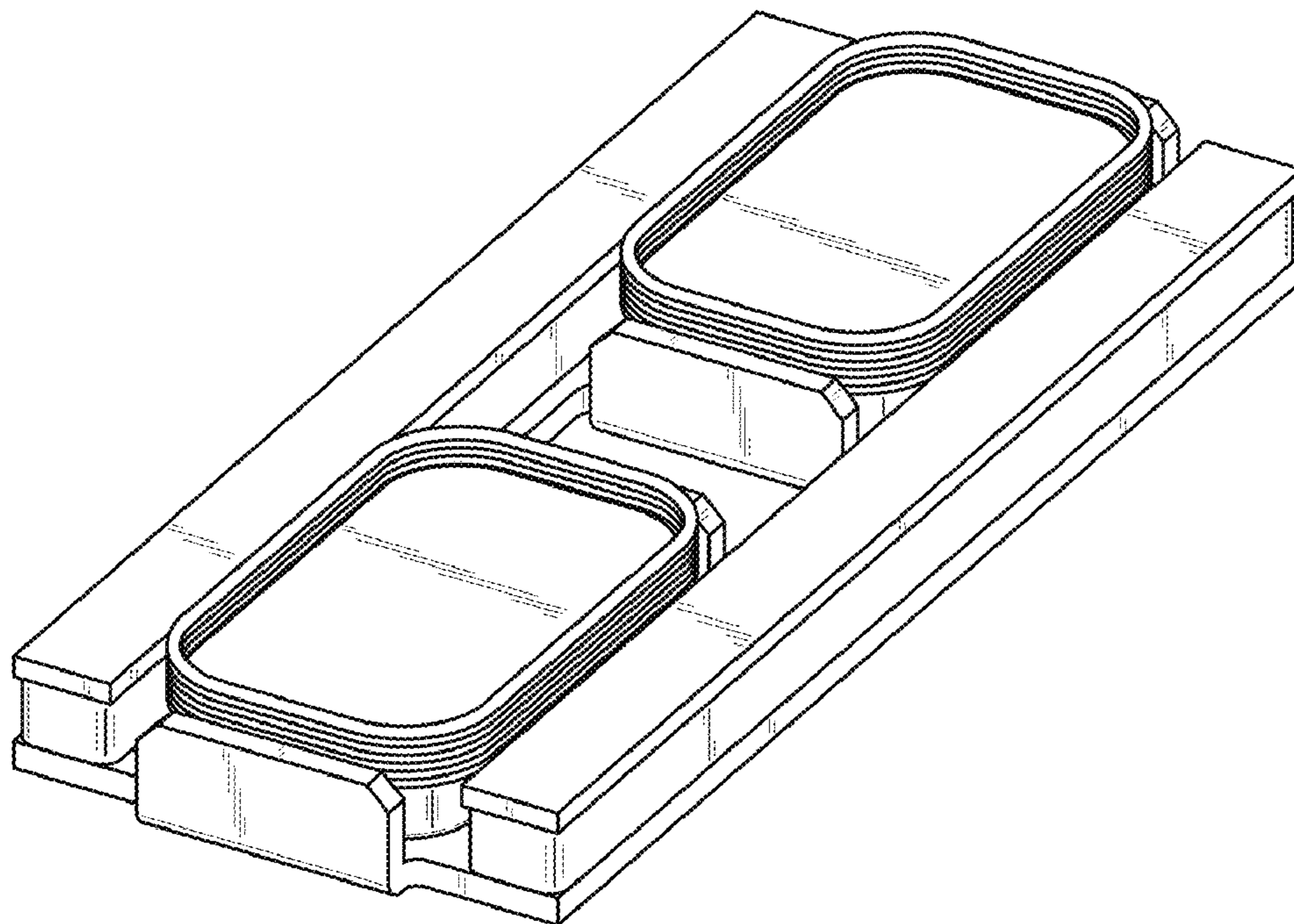
(57) **CLAIM**

The ornamental design for a speaker, as shown and described.

DESCRIPTION

FIG. 1 is a perspective view of a speaker showing our new design;
 FIG. 2 is a front view thereof, there rear view being identical;
 FIG. 3 is a side view thereof, the opposite side view being identical;
 FIG. 4 is a top view thereof; and,
 FIG. 5 is a bottom view thereof.

1 Claim, 3 Drawing Sheets



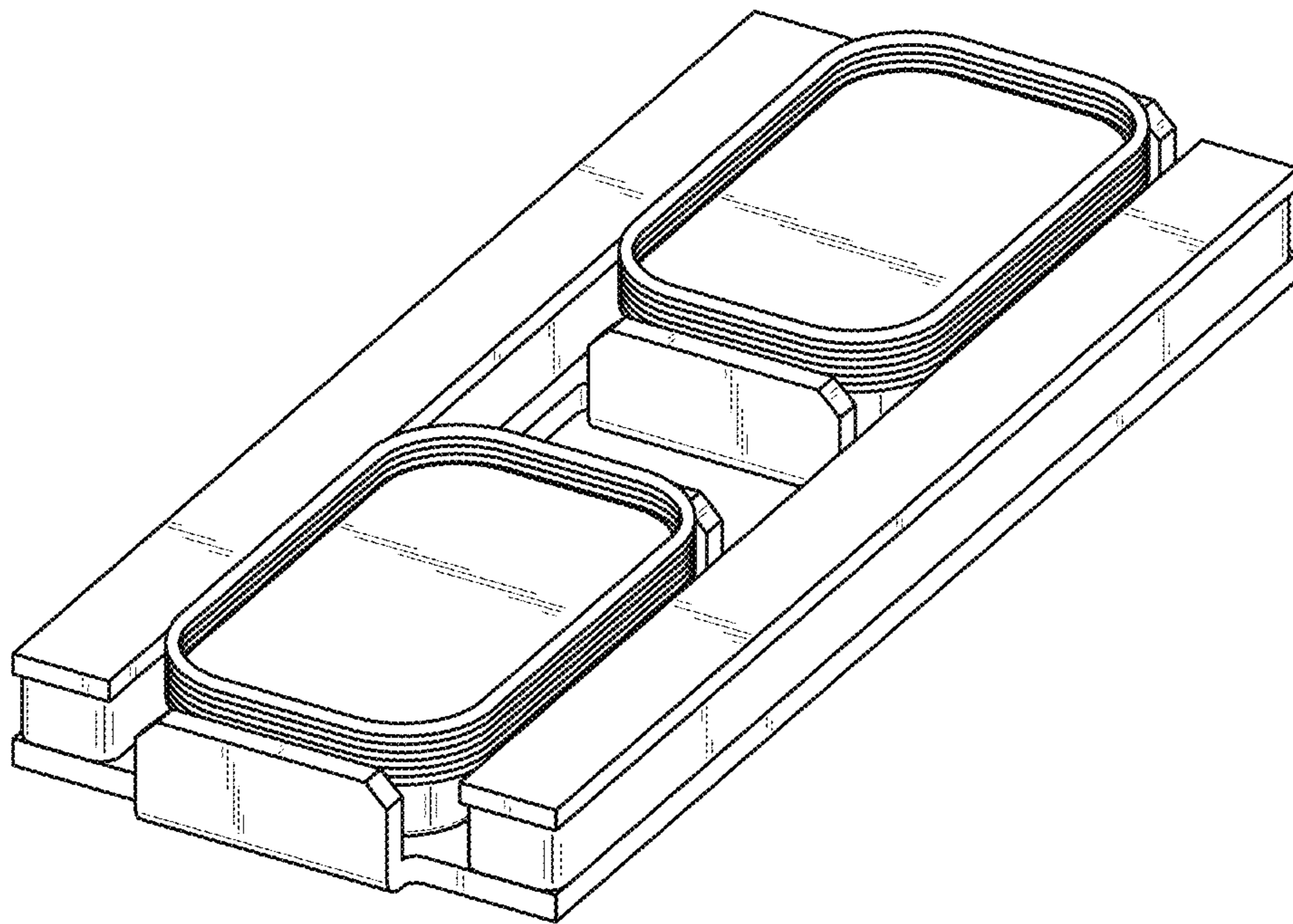


Fig. 1

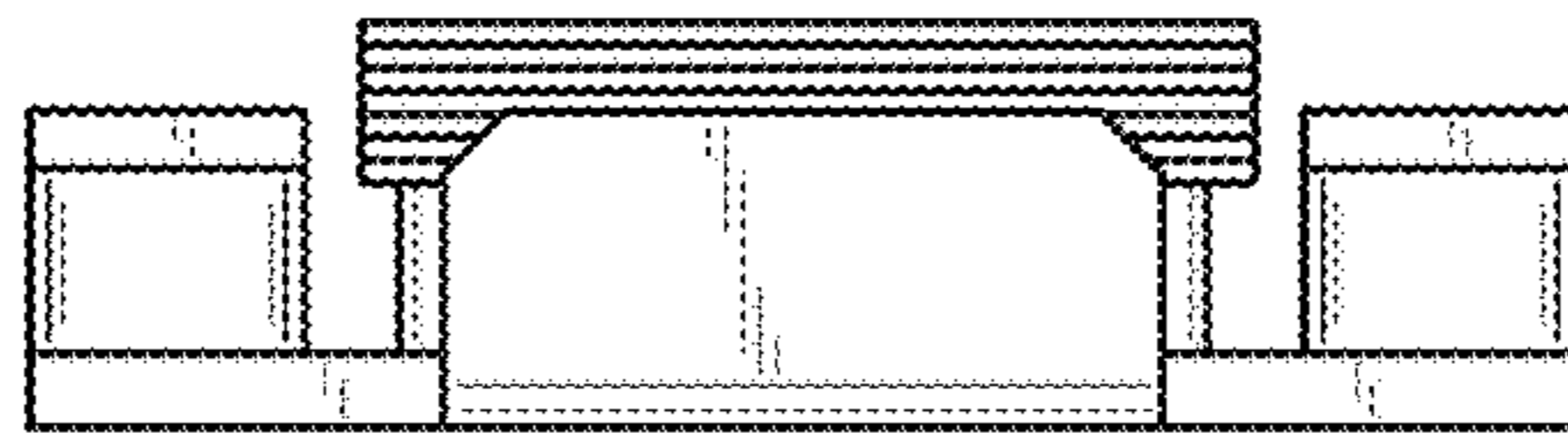


Fig. 2

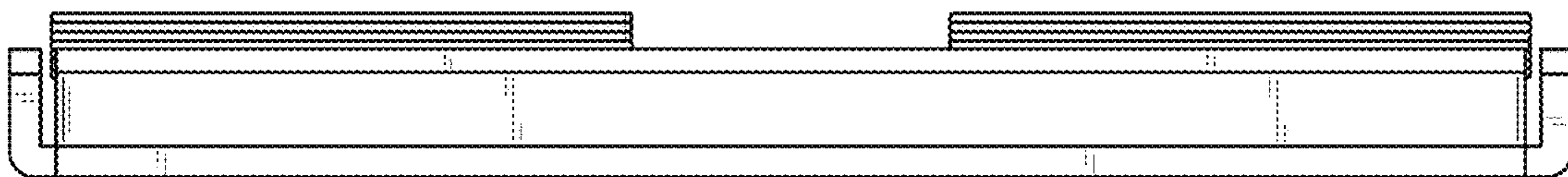


Fig. 3

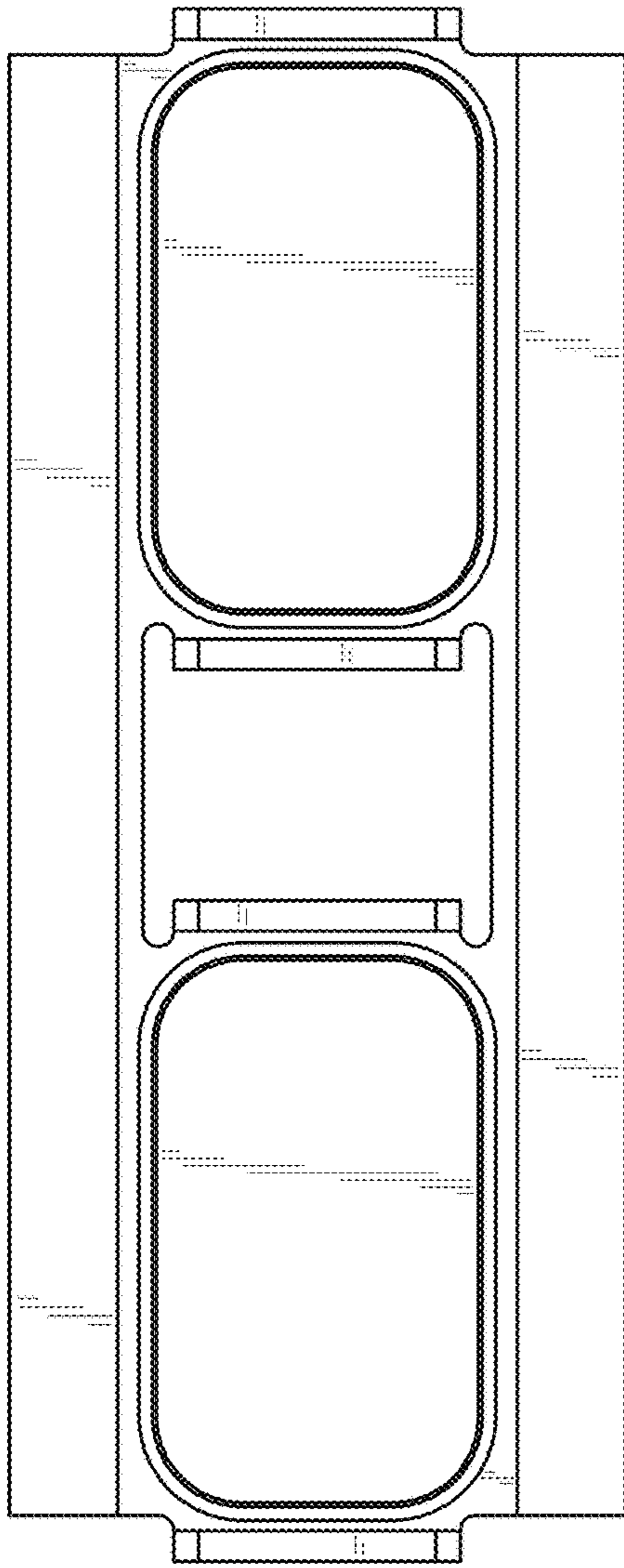


Fig. 4

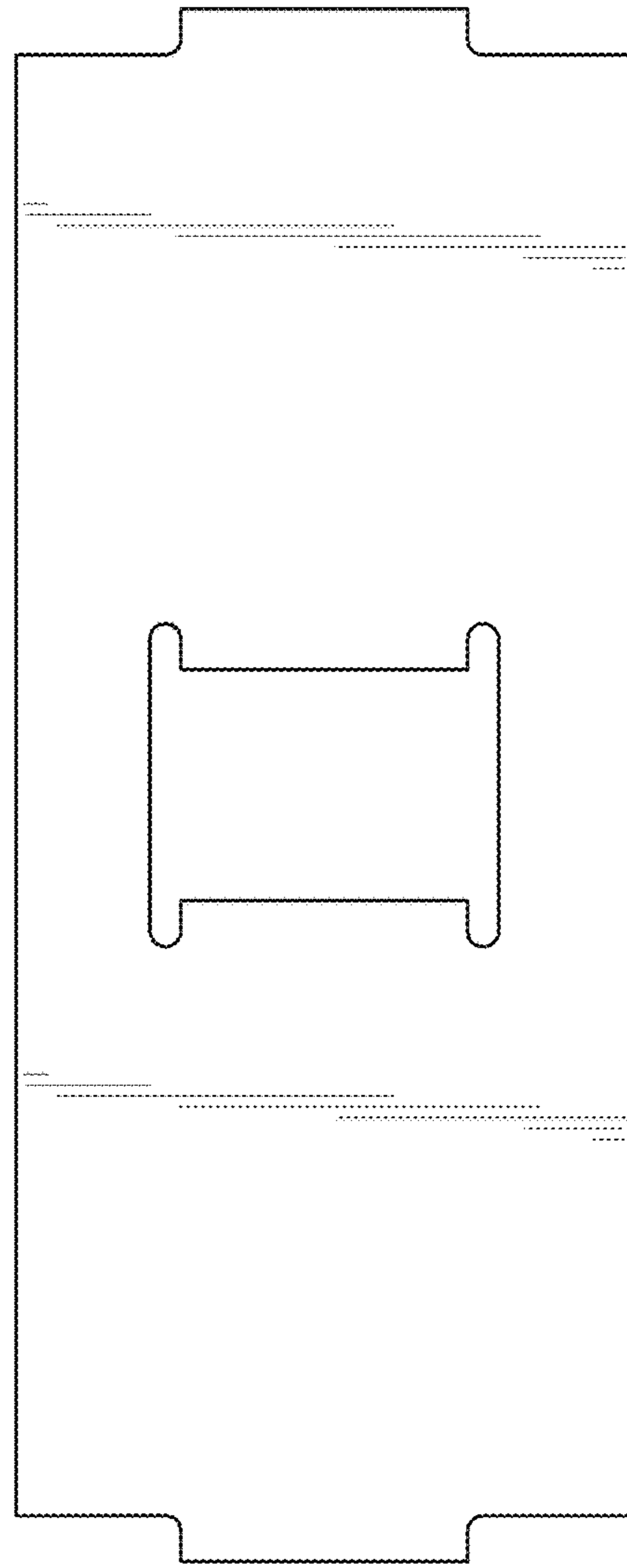


Fig. 5

UNITED STATES PATENT AND TRADEMARK OFFICE
CERTIFICATE OF CORRECTION

PATENT NO. : D830,329 S
APPLICATION NO. : 29/602248
DATED : October 9, 2018
INVENTOR(S) : George Trasmonte et al.

Page 1 of 1

It is certified that error appears in the above-identified patent and that said Letters Patent is hereby corrected as shown below:

On the Title Page

Under DESCRIPTION Line 3:

- FIG. 2 is a front view thereof, there rear view being identical; -

Should read:

- FIG. 2 is a front view thereof, the rear view being identical; -

Signed and Sealed this
Fourth Day of December, 2018



Andrei Iancu
Director of the United States Patent and Trademark Office