



US00D830328S

(12) **United States Design Patent** (10) **Patent No.:** **US D830,328 S**
Nugent et al. (45) **Date of Patent:** **** Oct. 9, 2018**

(54) **LOUDSPEAKER**

(71) Applicant: **Harman International Industries, Incorporated**, Northridge, CA (US)

(72) Inventors: **Tim Nugent**, Santa Monica, CA (US);
Derrick Rogers, Altadena, CA (US);
Andy Flint, Santa Clarita, CA (US)

(73) Assignee: **Harman International Industries, Incorporated**, Northridge, CA (US)

(**) Term: **15 Years**

(21) Appl. No.: **29/595,849**

(22) Filed: **Mar. 2, 2017**

Related U.S. Application Data

(62) Division of application No. 29/514,839, filed on Jan. 16, 2015, now Pat. No. Des. 788,067.

(51) **LOC (11) Cl.** **14-01**

(52) **U.S. Cl.**
USPC **D14/204**

(58) **Field of Classification Search**

USPC D14/172, 194, 204, 207, 209.1, 210–215,
D14/221, 222, 239; 181/148, 152, 153,
181/157, 192; 381/300–303, 332, 333,
381/336, 345, 361, 386–388

CPC H04M 1/03; H04M 1/035; H04R 1/02;
H04R 1/06; H04R 1/021; H04R 1/025;
H04R 1/026; H04R 1/105; H04R 1/323;
H04R 1/345; H04R 1/403; H04R 1/2803;
H04R 1/2834; H04R 3/12; H04R 2203/12

See application file for complete search history.

(56) **References Cited**

U.S. PATENT DOCUMENTS

6,454,646 B1 * 9/2002 Helgenberg H05K 5/0213
361/679.02
D496,049 S * 9/2004 Heinz D14/444

D506,755 S * 6/2005 Chen D14/349
D511,521 S * 11/2005 Schmidt D14/441
D575,779 S * 8/2008 Dearborn D14/300
D691,126 S * 10/2013 Morton D14/300

(Continued)

Primary Examiner — Derrick E Holland

Assistant Examiner — Janice Patyk

(74) *Attorney, Agent, or Firm* — Plumsea Law Group, LLC

(57) **CLAIM**

The ornamental design for a loudspeaker, as shown and described.

DESCRIPTION

FIG. 1 is a perspective view of embodiment one, of a loudspeaker, showing our new design;

FIG. 2 is a front elevational view thereof;

FIG. 3 is a side elevational view thereof;

FIG. 4 is a top plan view thereof;

FIG. 5 is a perspective view of embodiment two, of a loudspeaker, showing our new design;

FIG. 6 is a front elevational view thereof;

FIG. 7 is a side elevational view thereof;

FIG. 8 is a top plan view thereof;

FIG. 9 is a perspective view of embodiment three, of a loudspeaker, showing our new design;

FIG. 10 is a front elevational view thereof;

FIG. 11 is a side elevational view thereof;

FIG. 12 is a top plan view thereof;

FIG. 13 is a perspective view of embodiment four, of a loudspeaker, showing our new design;

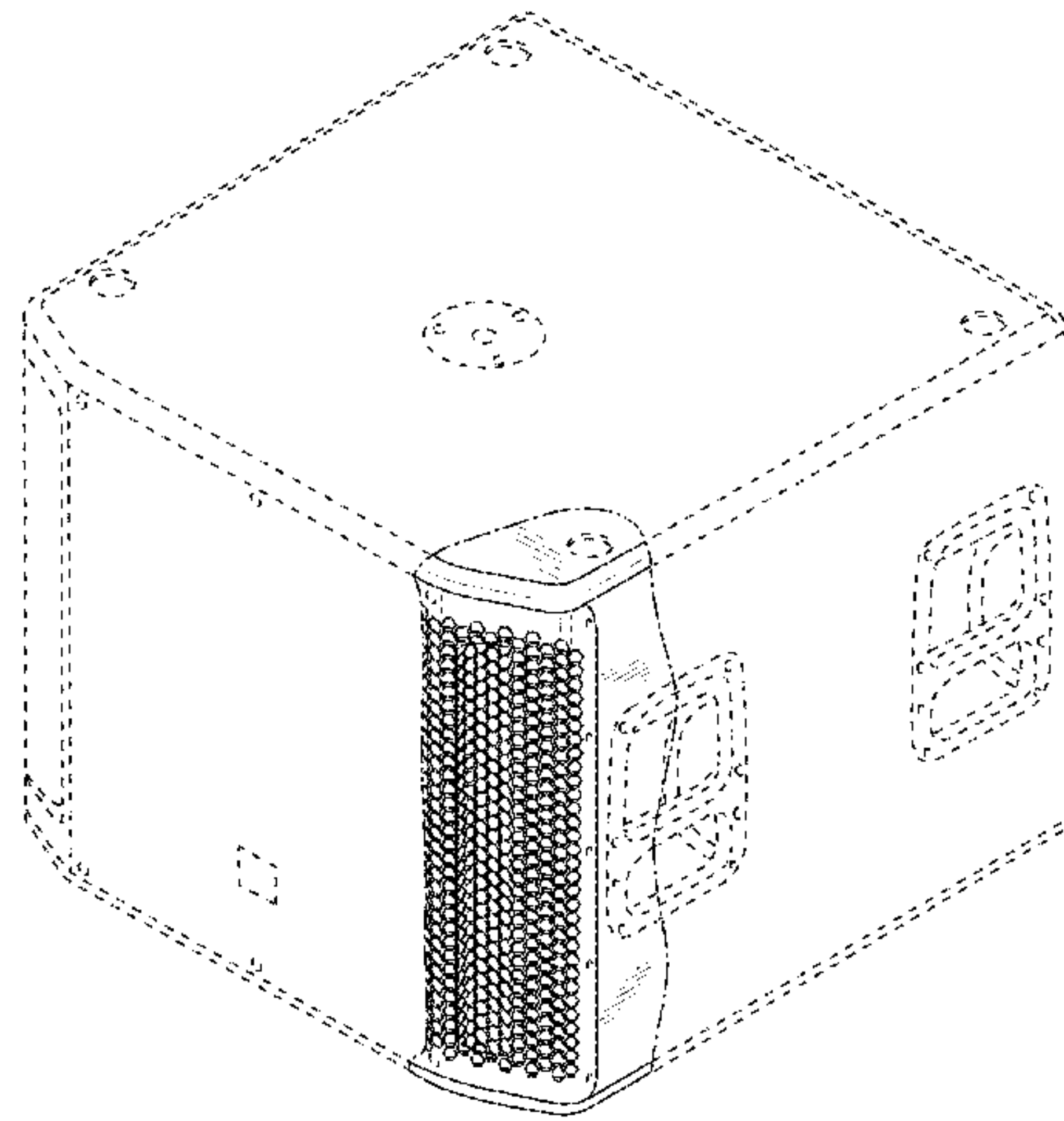
FIG. 14 is a front elevational view thereof;

FIG. 15 is a side elevational view thereof; and,

FIG. 16 is a top plan view thereof.

The broken line portions show unclaimed subject matter only and form no part of the claimed design. The dot-dash broken line portions are included to show the boundary between the claimed portion and unclaimed portion only and form no part of the claimed design.

1 Claim, 16 Drawing Sheets



(56)

References Cited

U.S. PATENT DOCUMENTS

D707,225 S * 6/2014 Shin D14/349
D754,667 S * 4/2016 Kwon D14/445

* cited by examiner

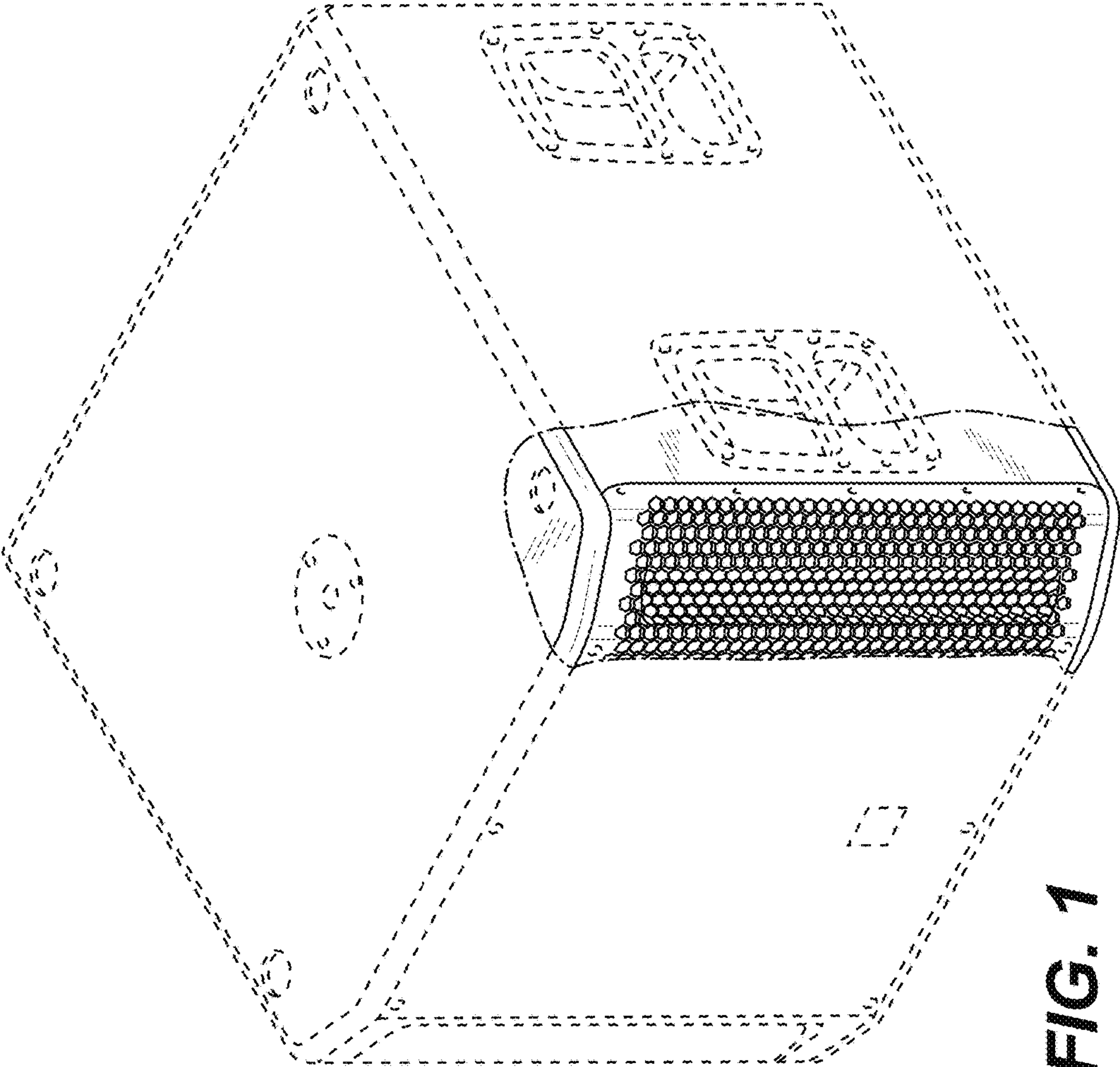


FIG. 1

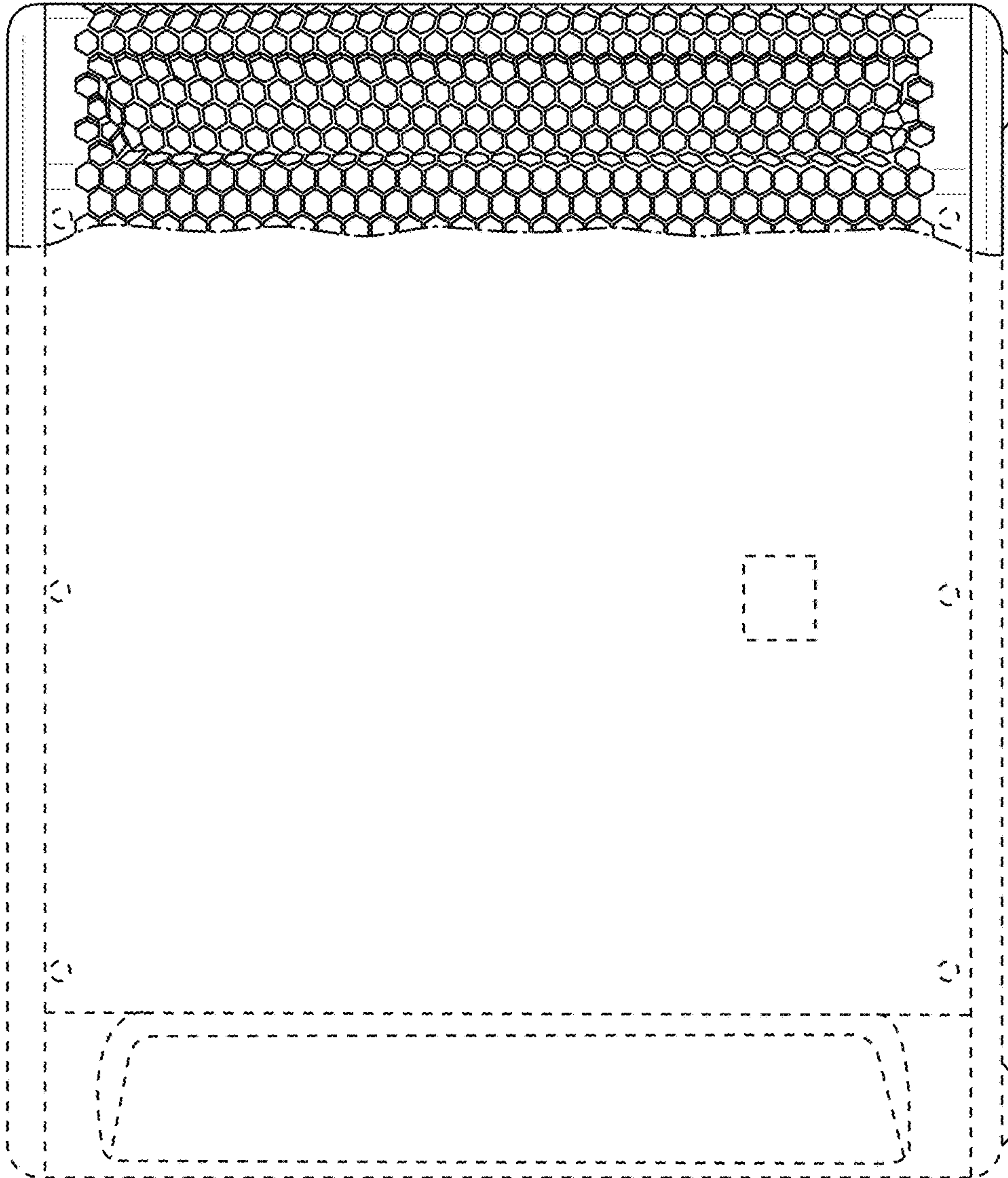


FIG. 2

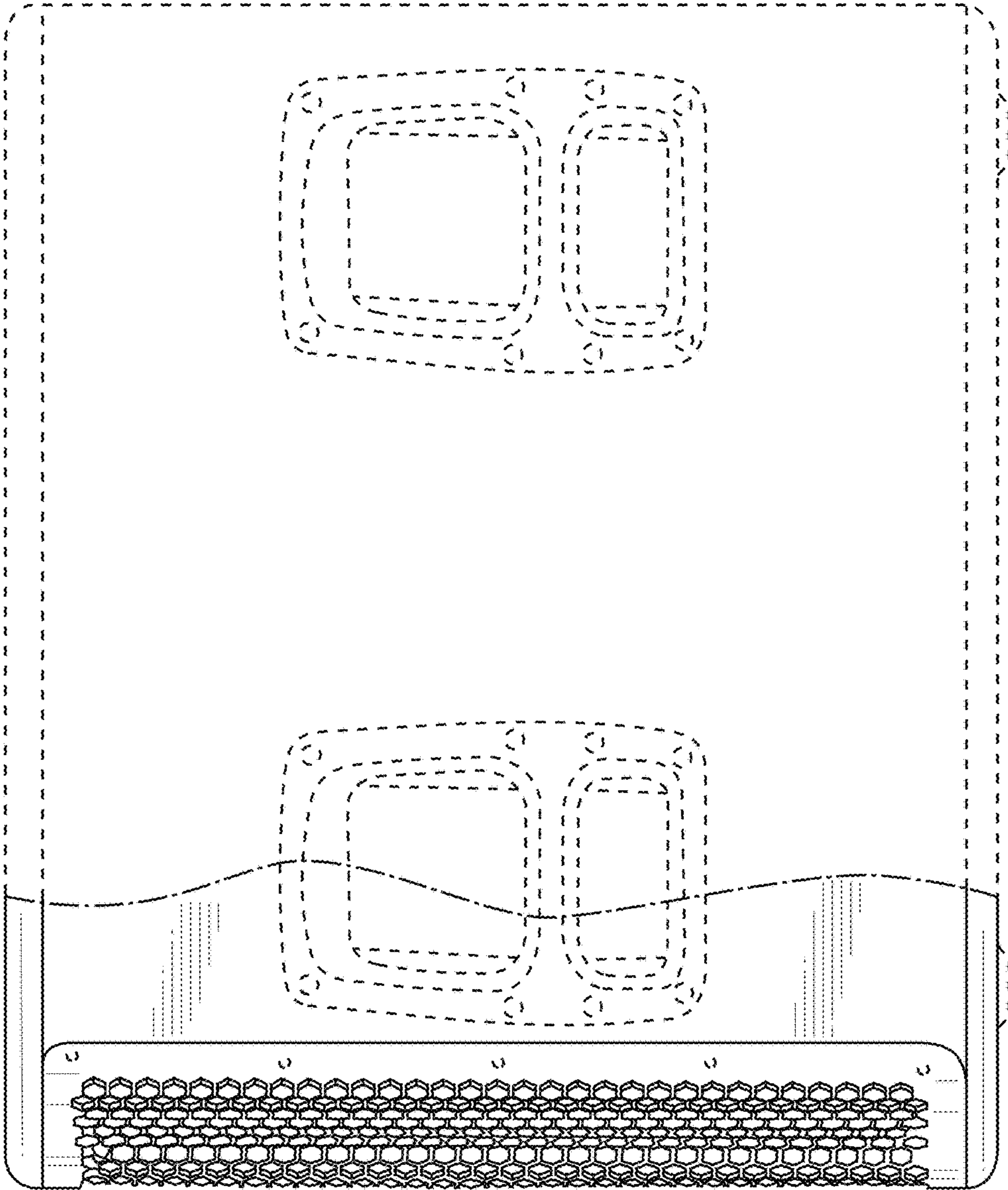


FIG. 3

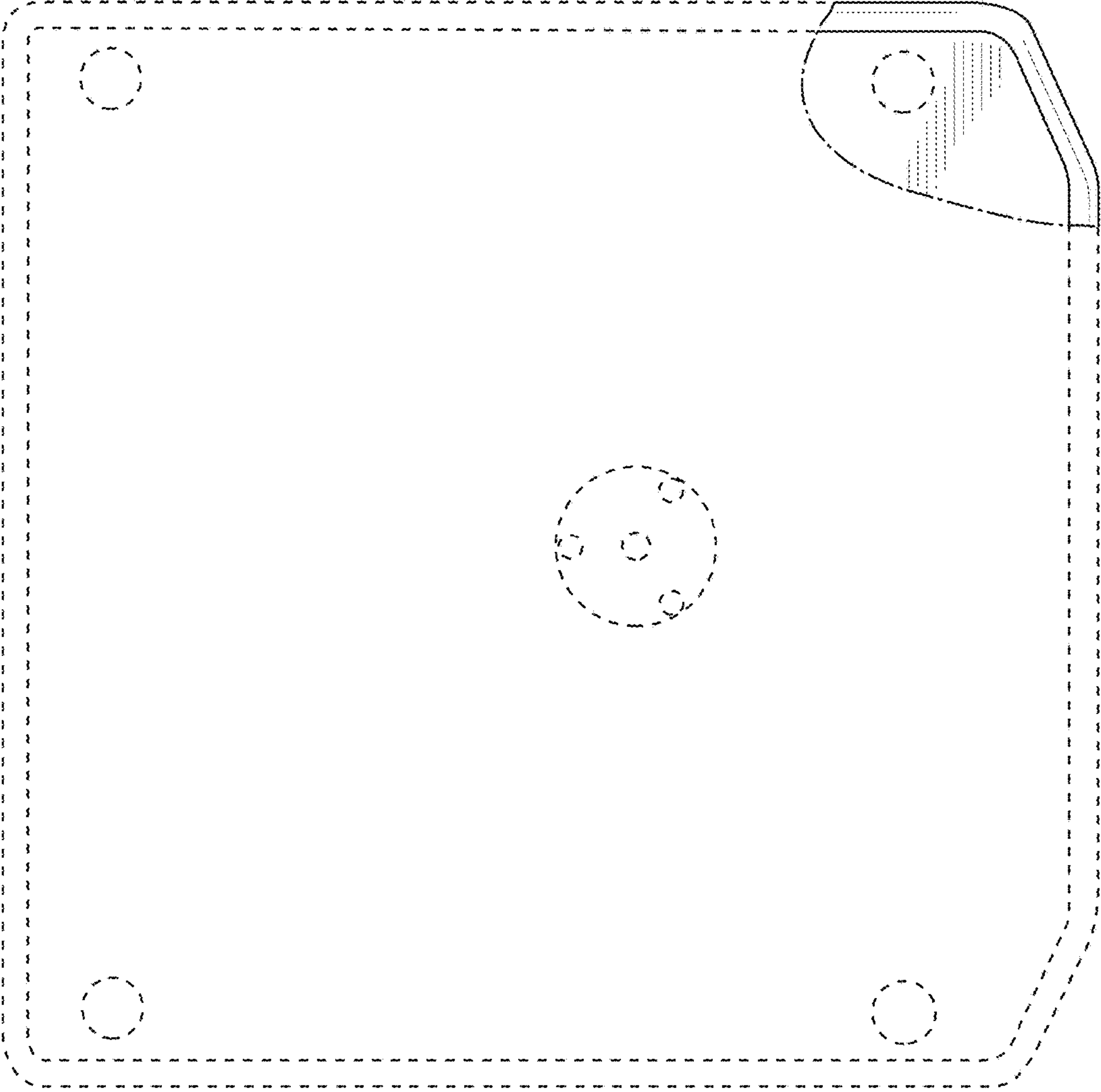


FIG. 4

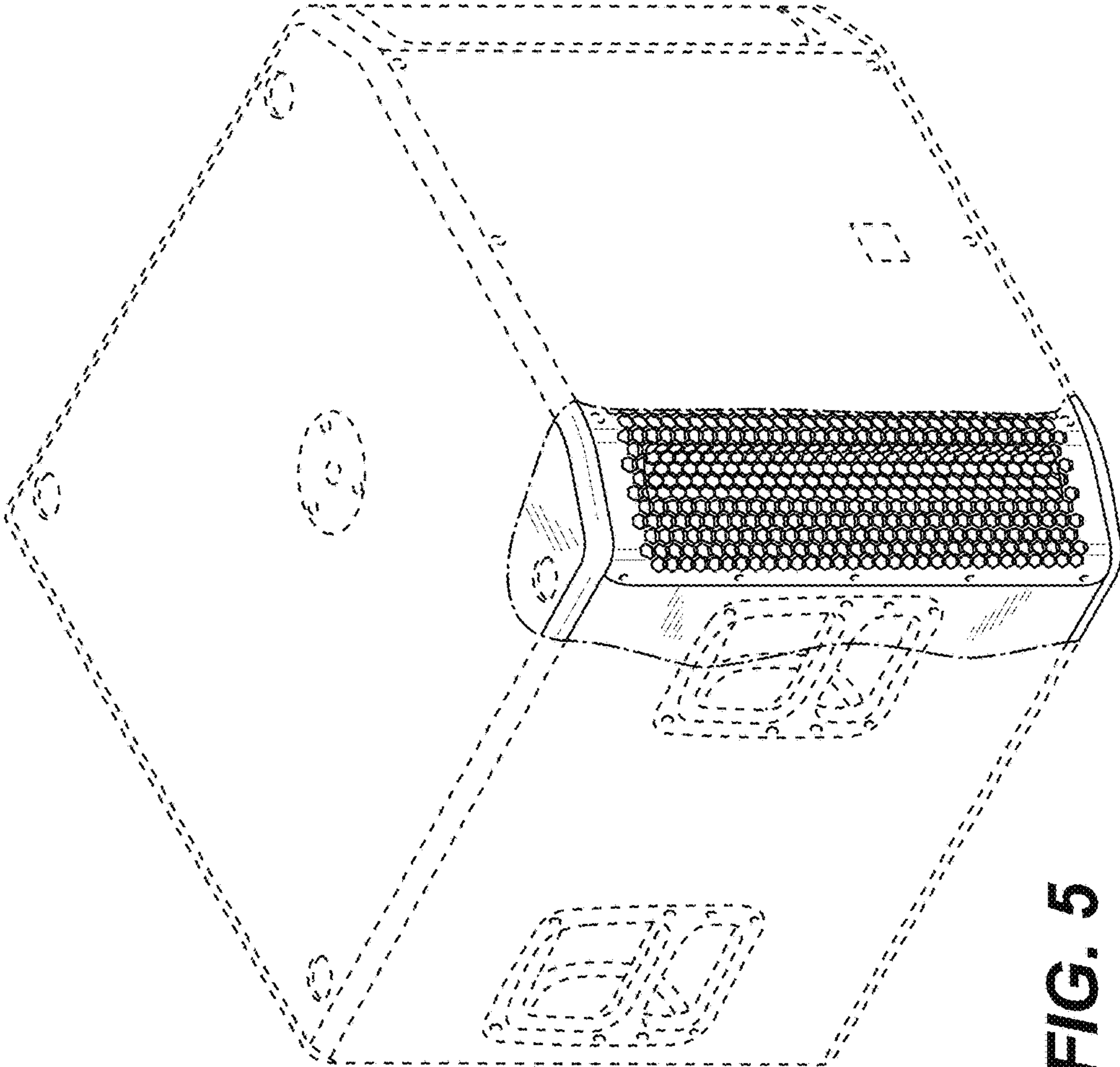


FIG. 5

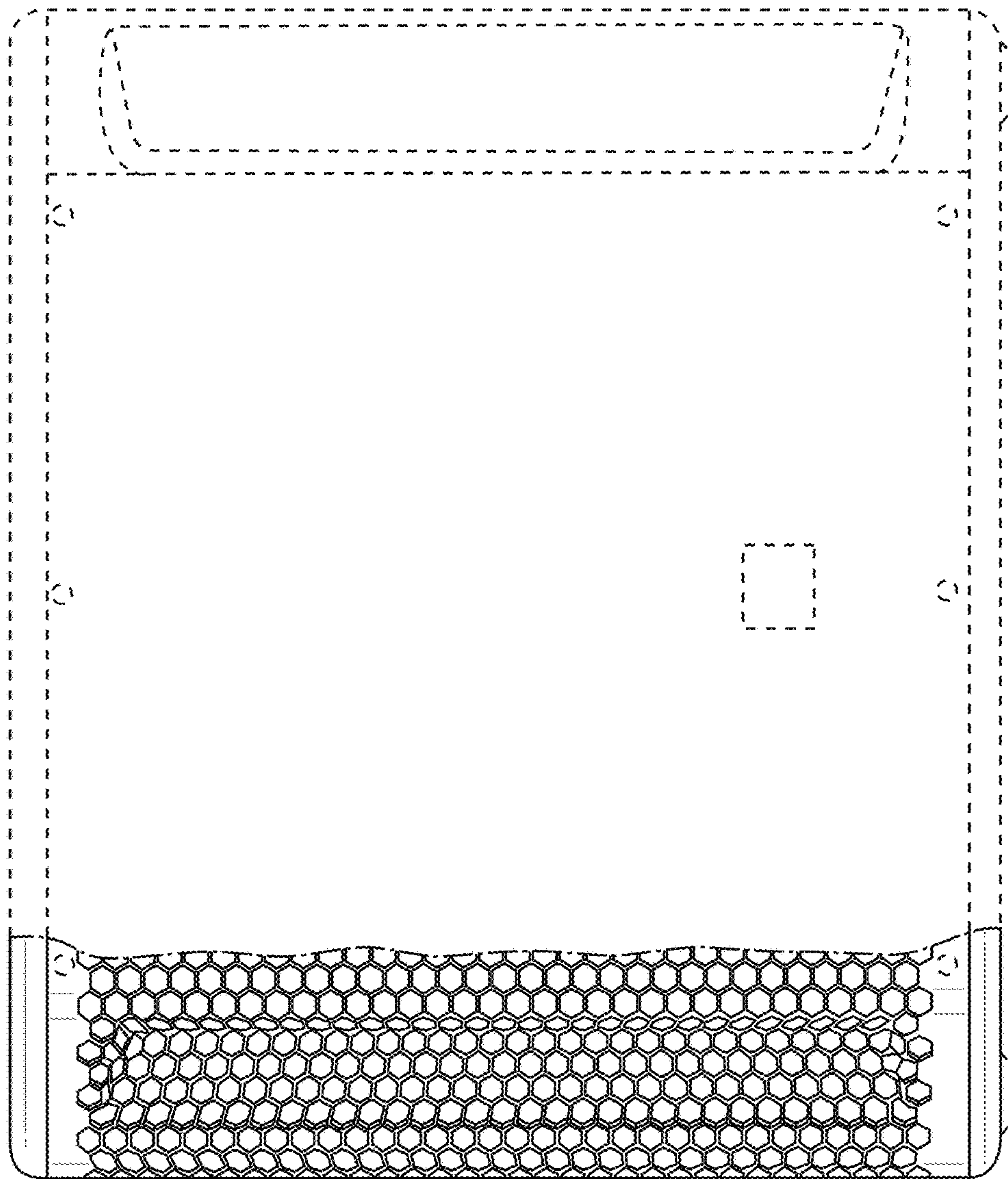


FIG. 6

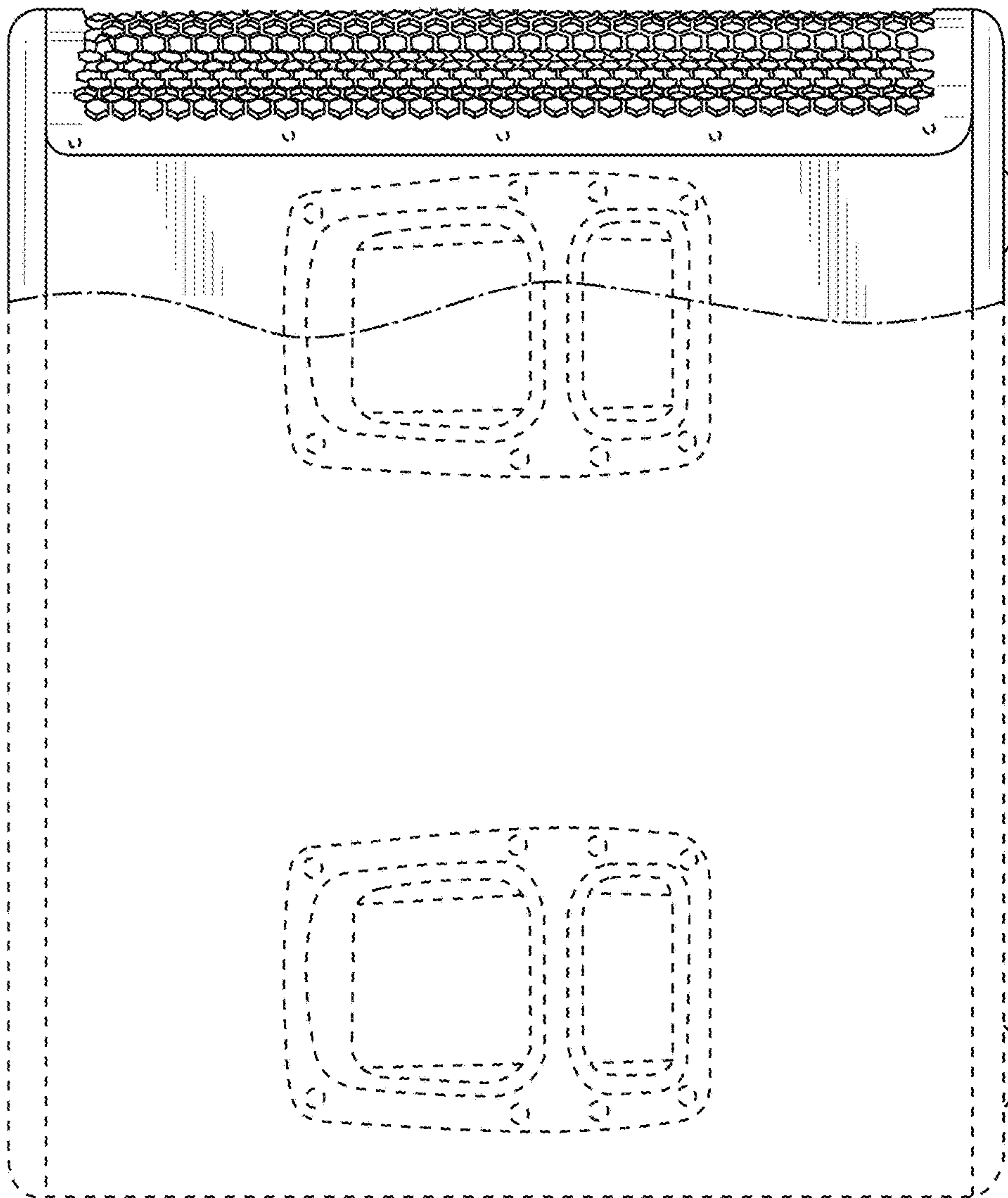


FIG. 7

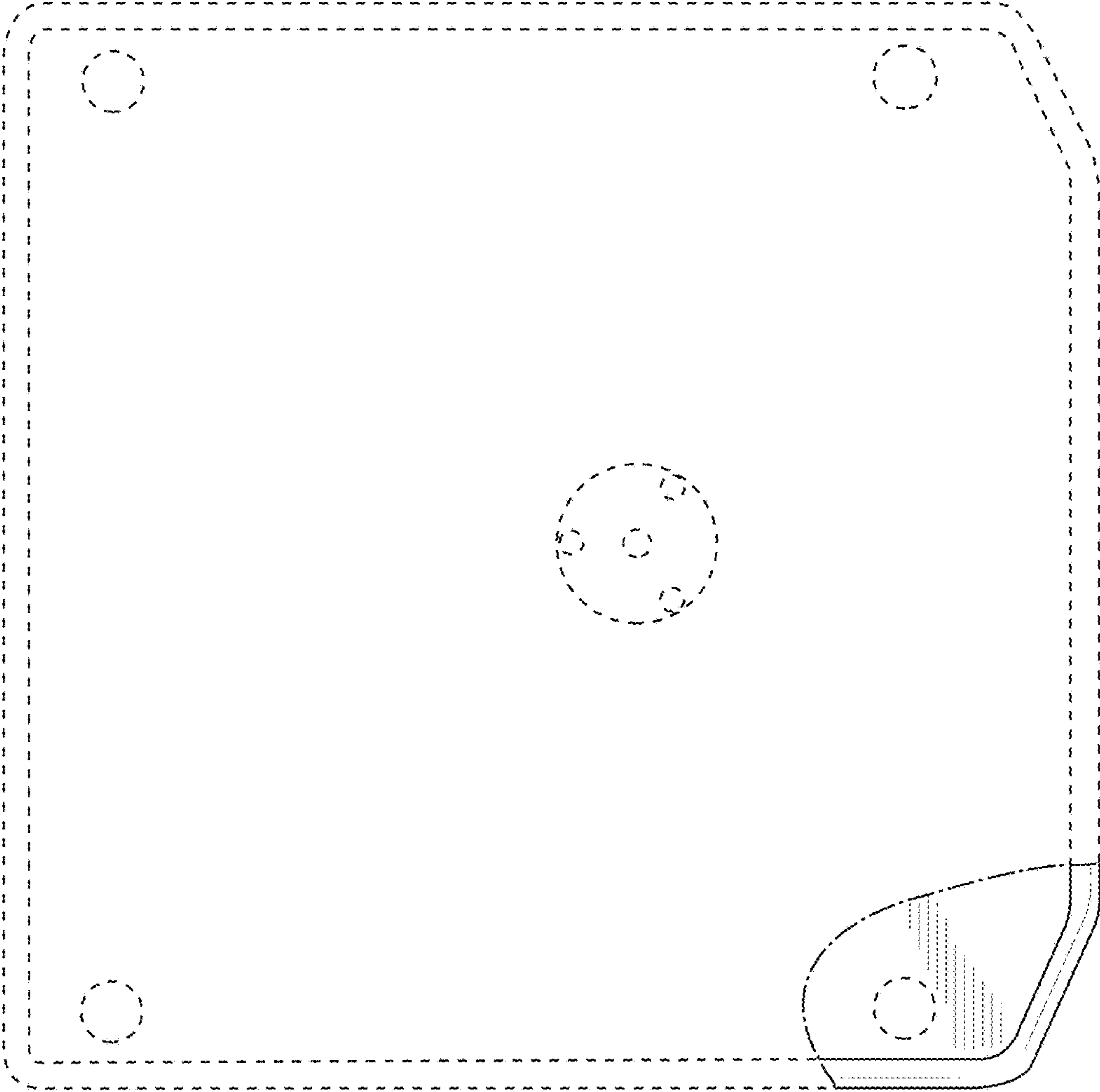


FIG. 8

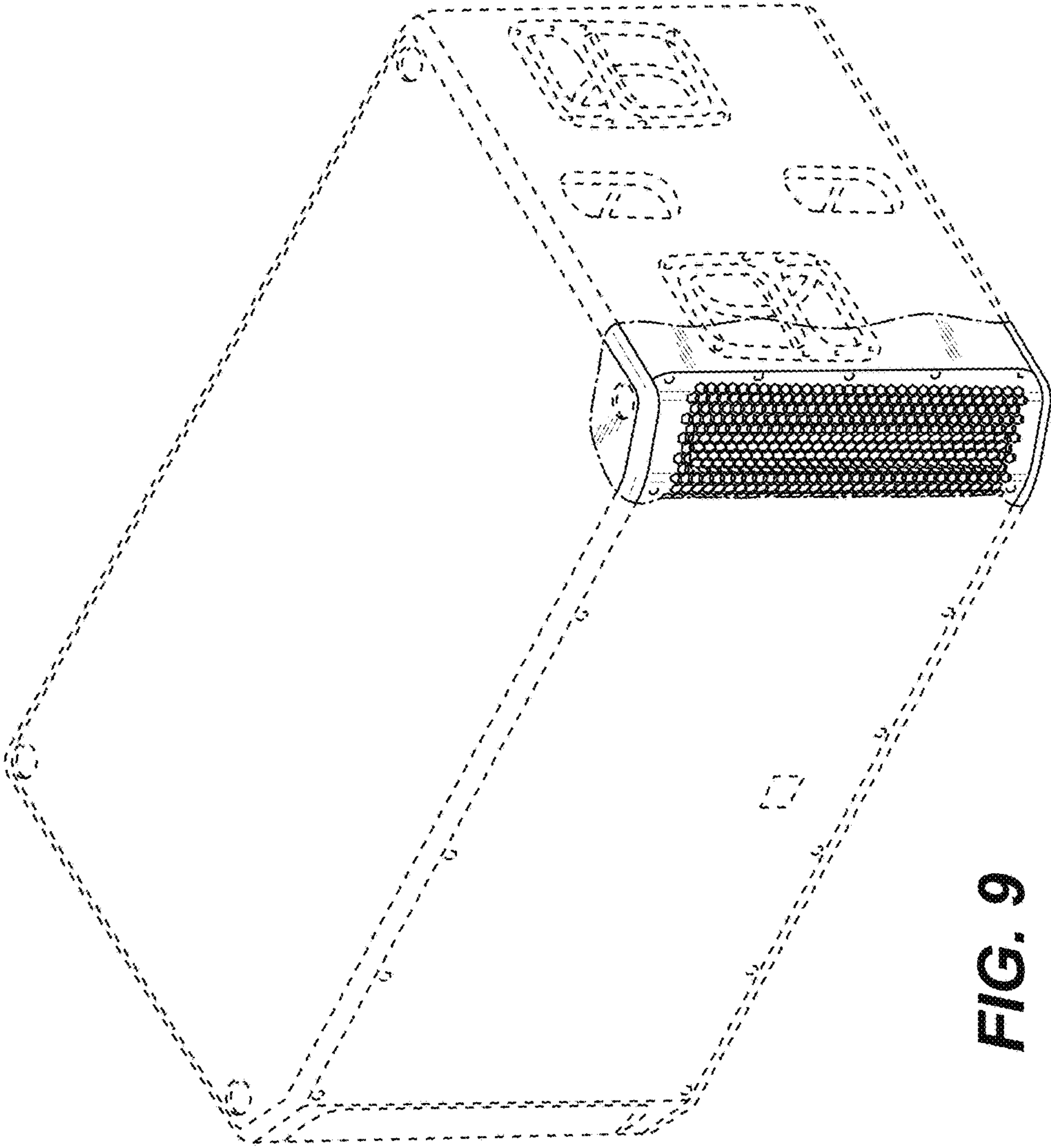


FIG. 9

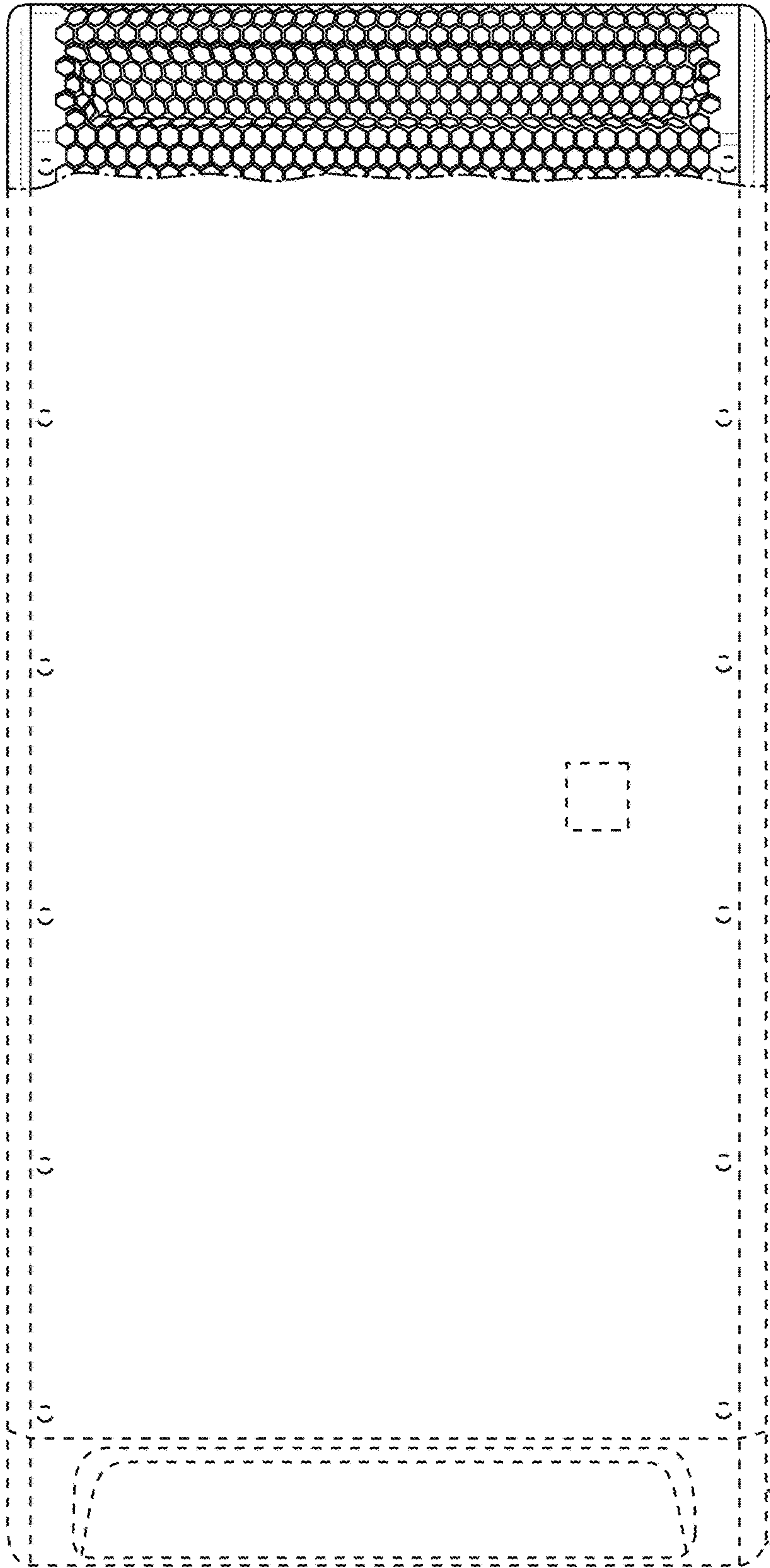


FIG. 10

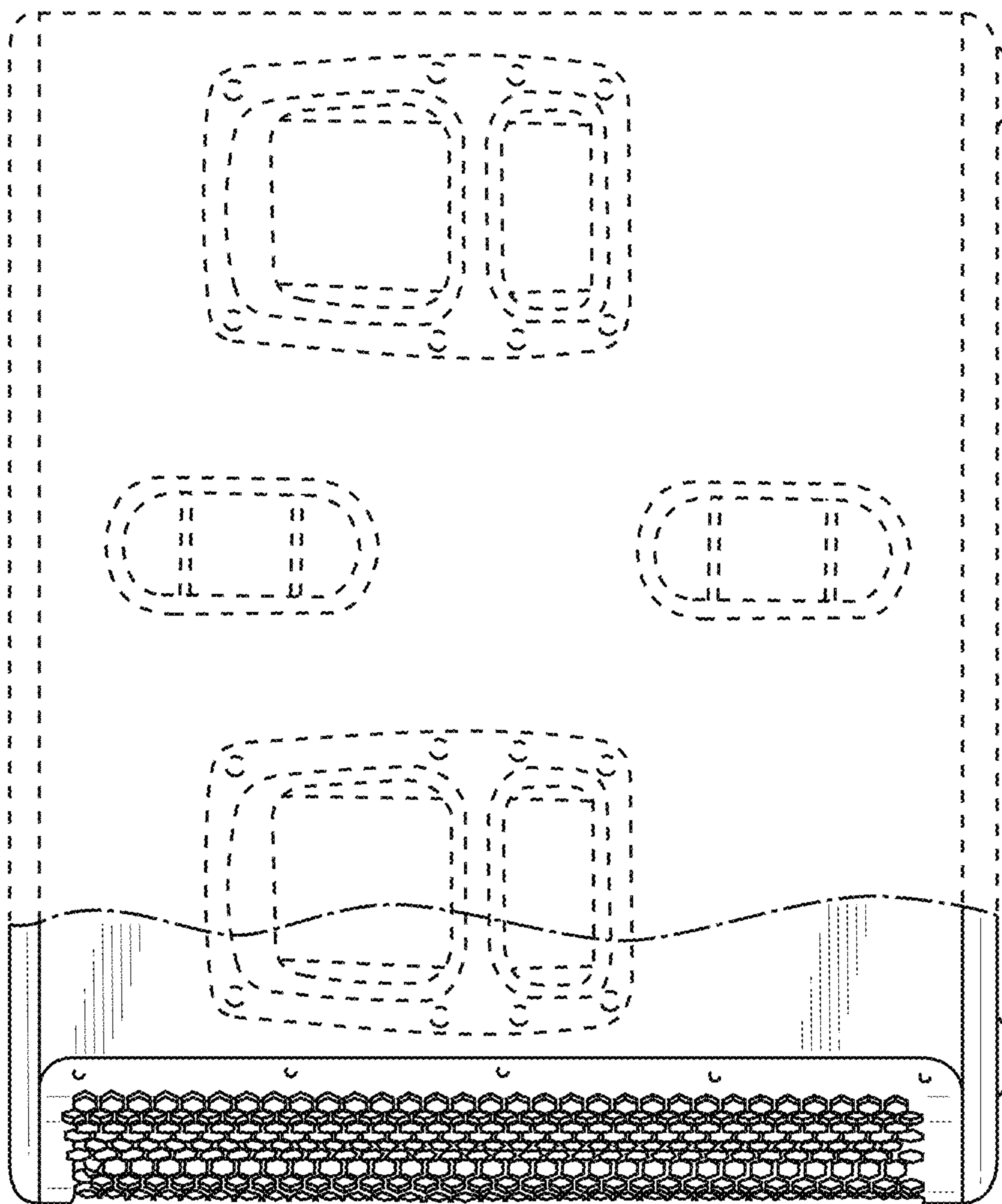


FIG. 11

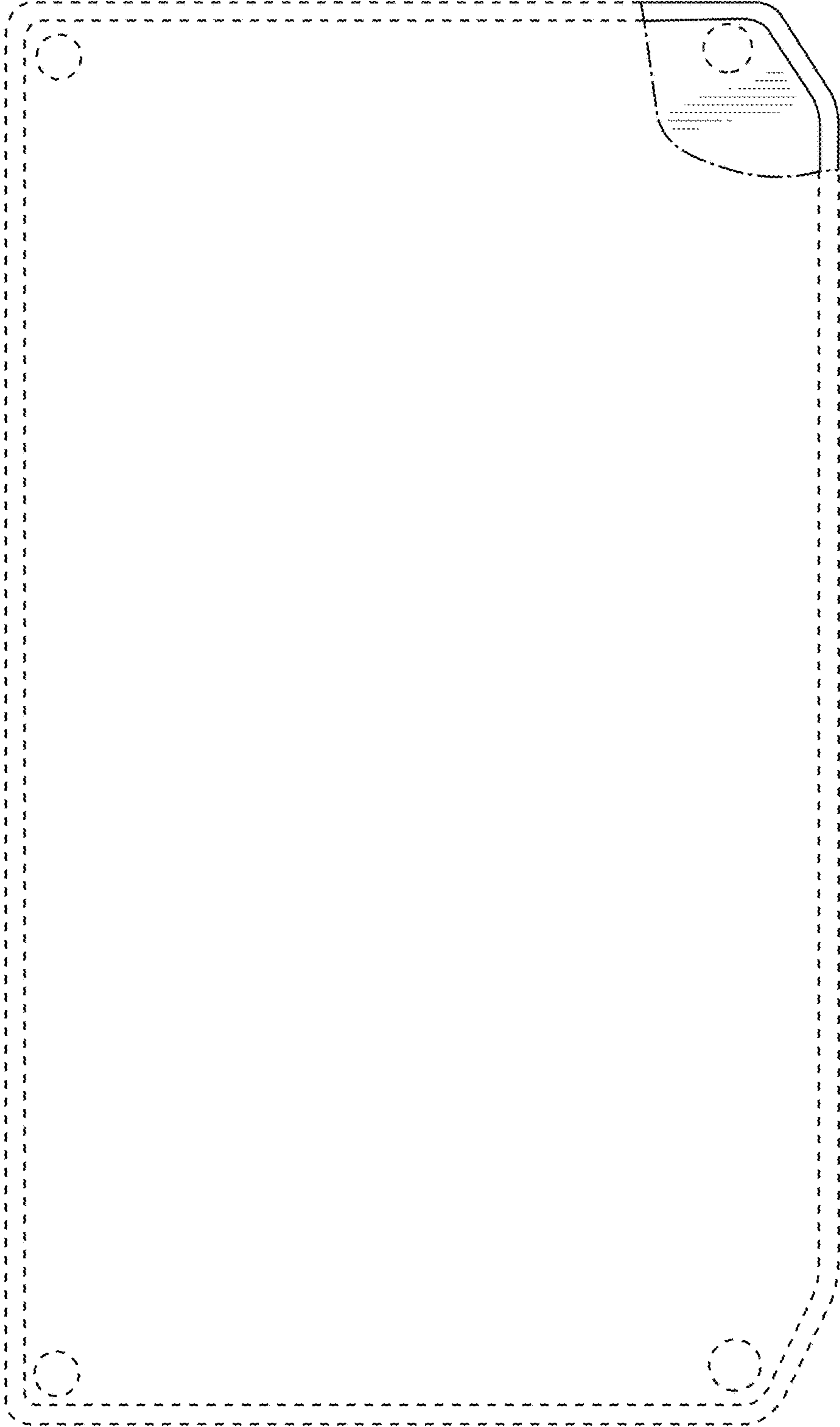


FIG. 12

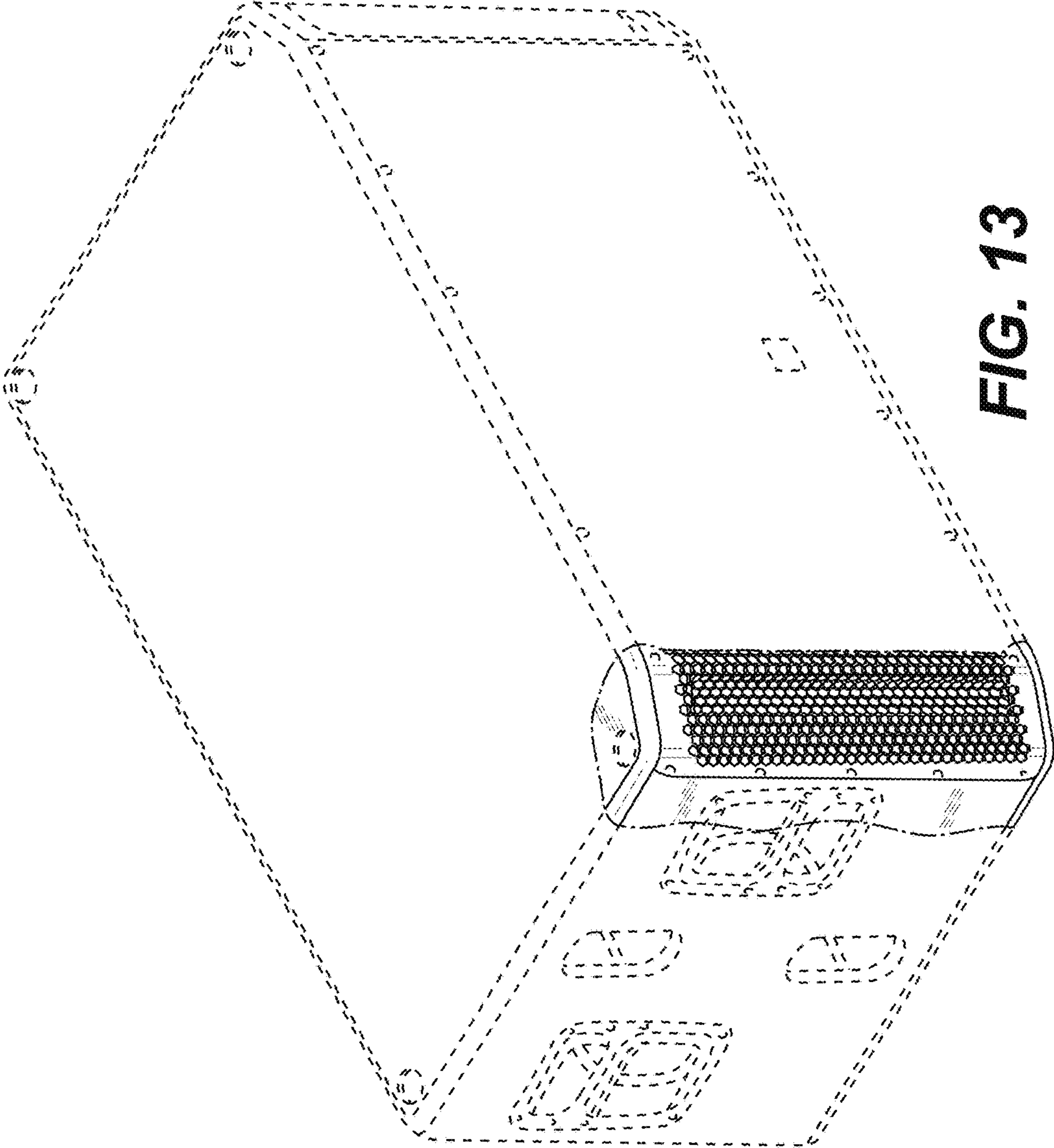


FIG. 13

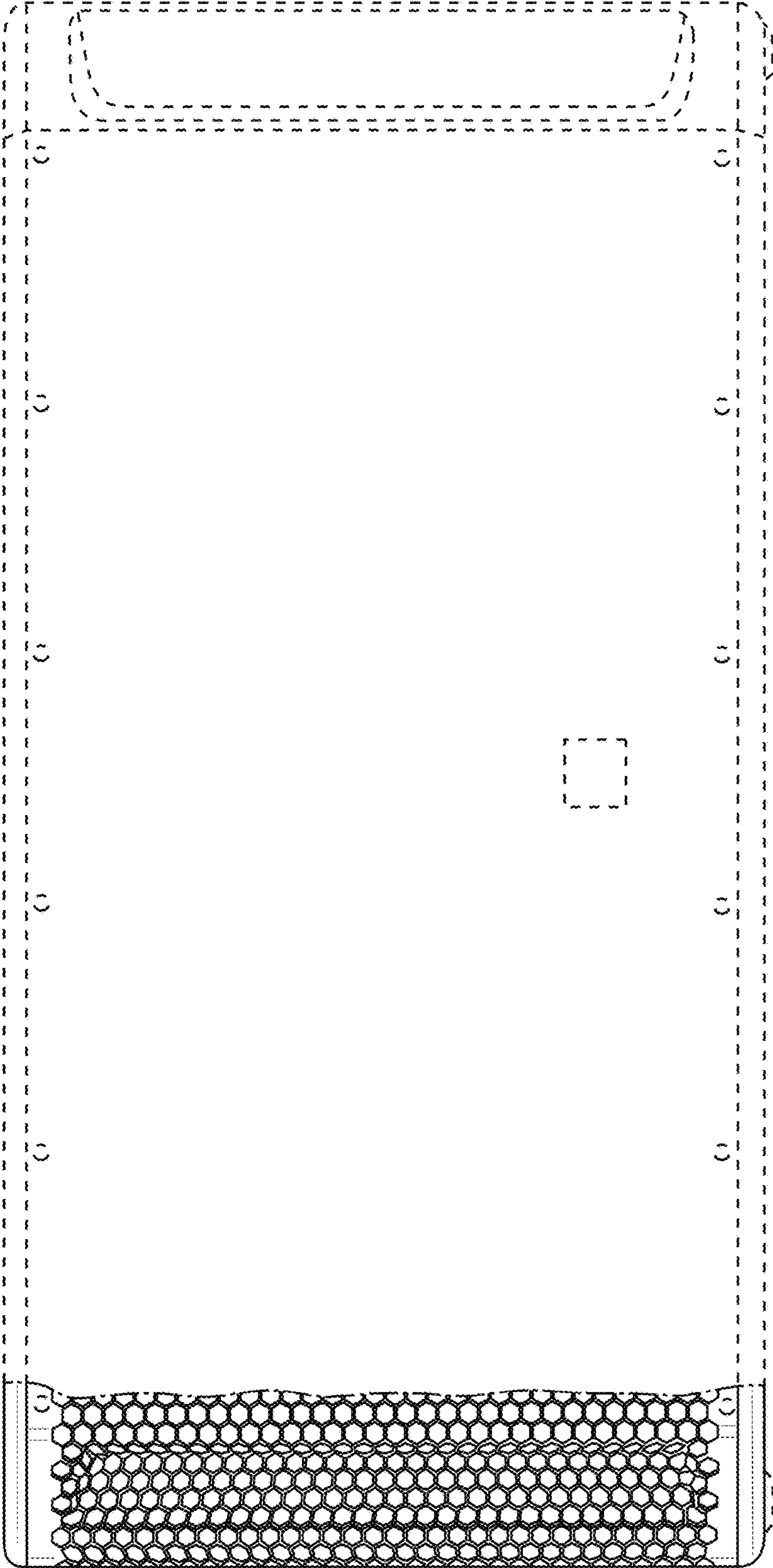


FIG. 14

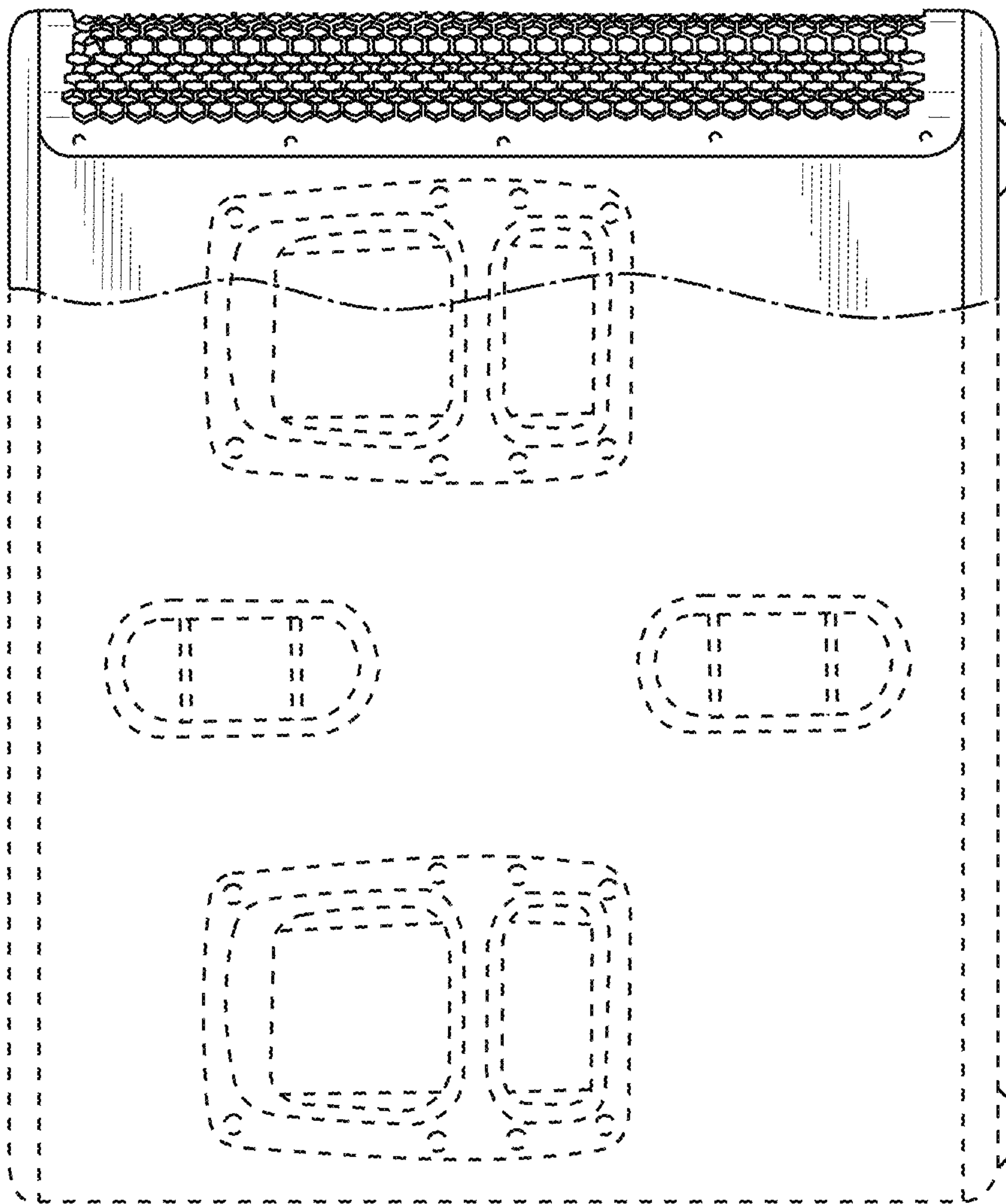


FIG. 15

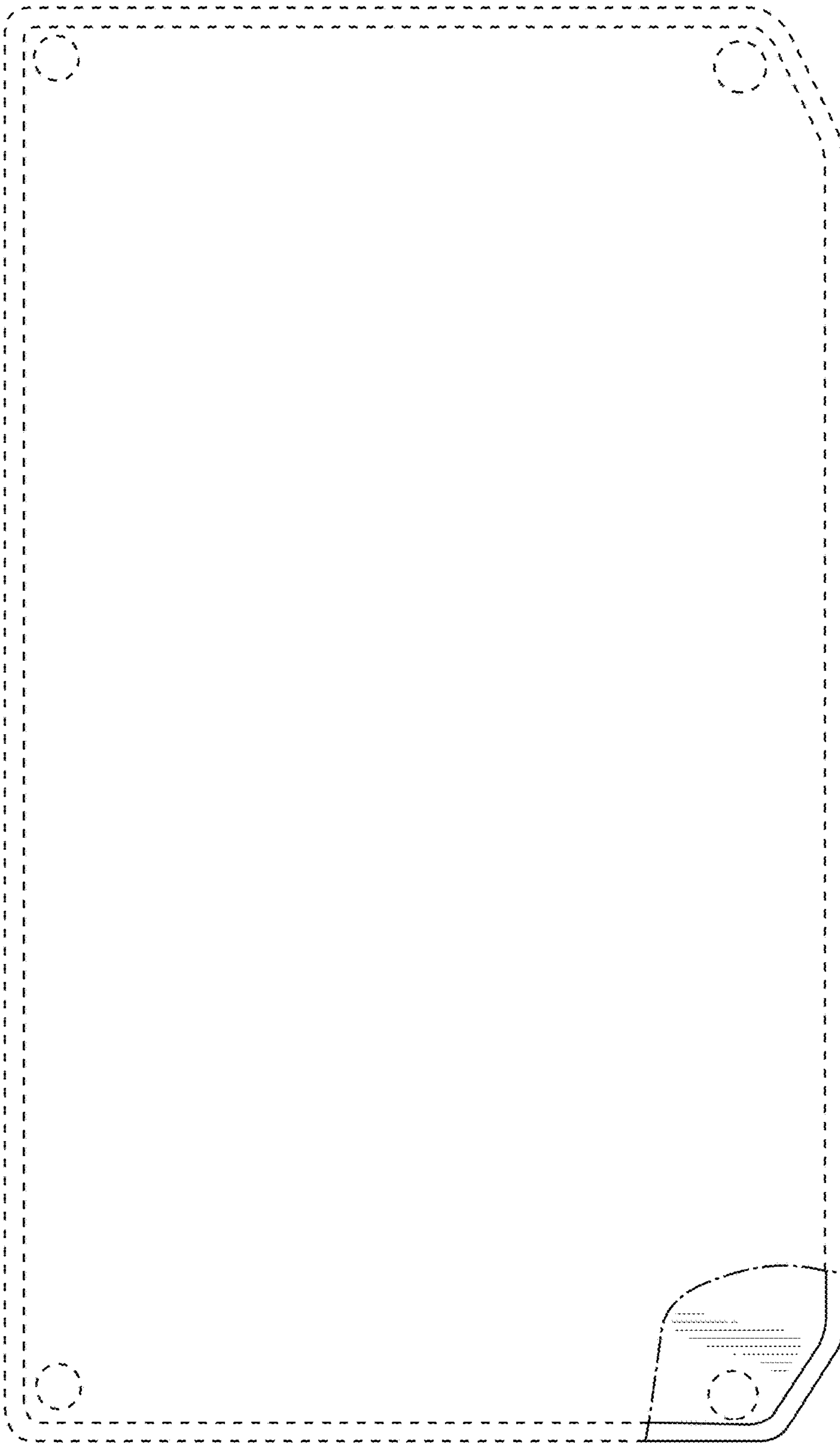


FIG. 16