



US00D830327S

(12) **United States Design Patent** (10) **Patent No.:** **US D830,327 S**
Jones (45) **Date of Patent:** **** Oct. 9, 2018**

(54) **COLLAR RADIO TRANSMITTER**
(71) Applicant: **KegSpeed, LLC**, Austin, TX (US)
(72) Inventor: **Timothy Leonard Jones**, Austin, TX (US)
(**) Term: **15 Years**
(21) Appl. No.: **29/604,979**
(22) Filed: **May 22, 2017**
(51) **LOC (11) Cl.** **14-03**
(52) **U.S. Cl.**
USPC **D14/155**
(58) **Field of Classification Search**
USPC D14/167, 154, 168, 188, 496, 156, 160,
D14/161, 162, 163, 164, 165, 158, 159,
D14/341, 346, 342, 345, 137, 155, 218,
D14/225; D16/208; D26/38; 455/351,
455/350; D10/104.1, 106, 65; D3/207
CPC H04B 1/385; H04M 1/6091; H04M 1/6066
See application file for complete search history.

(56) **References Cited**
U.S. PATENT DOCUMENTS
D388,721 S * 1/1998 Kinner D10/104.1
D391,943 S * 3/1998 Han D14/356
D426,515 S * 6/2000 Buckle D13/103
D464,630 S * 10/2002 Woodworth D13/171
D473,516 S * 4/2003 Gresham D13/139.4
D507,078 S * 7/2005 Greenfield D28/82
7,198,169 B2 * 4/2007 Silk B65D 43/0229
220/288
D577,009 S * 9/2008 Wilson D14/225
D598,003 S * 8/2009 Park D14/149
D656,130 S * 3/2012 Bailey D14/227
D671,921 S * 12/2012 Beall D14/230

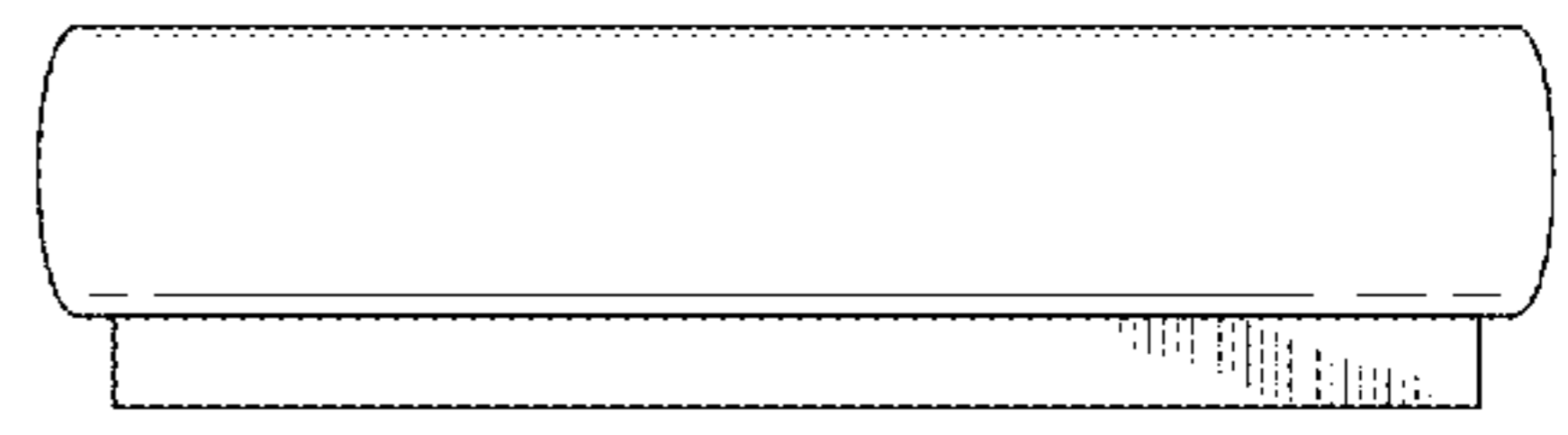
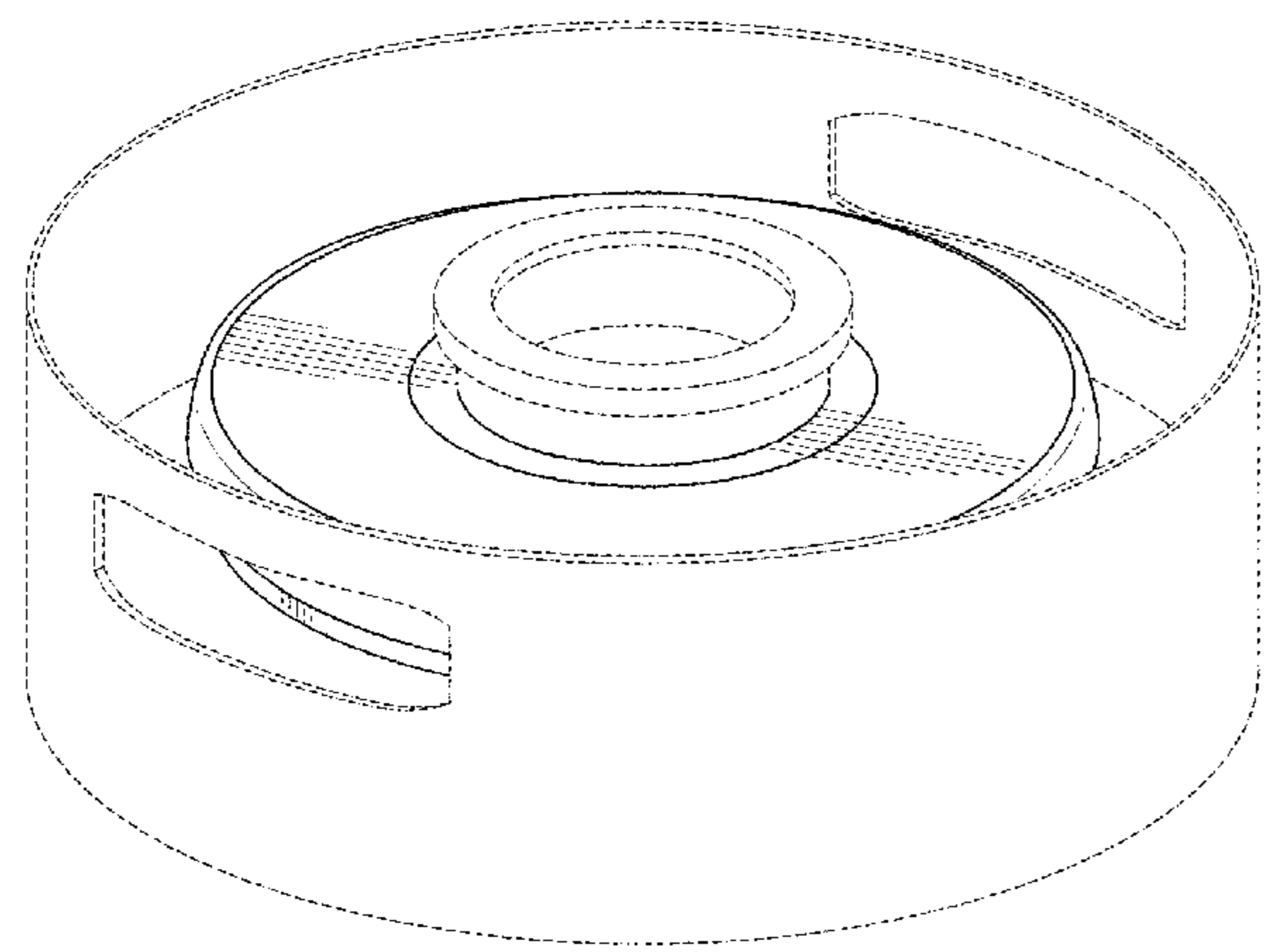
D680,015 S * 4/2013 Hauser D10/106.9
D687,009 S * 7/2013 Song D14/155
D695,258 S * 12/2013 Hauser D14/155
D724,060 S * 3/2015 Ahn D14/218
D743,383 S * 11/2015 Hinokio D14/225
D743,954 S * 11/2015 Chuang D13/168
D746,165 S * 12/2015 Li D10/104.1
D746,166 S * 12/2015 Li D10/104.1
D755,792 S * 5/2016 Lessel D14/435
D766,844 S * 9/2016 Turksu D10/104.1
D771,600 S * 11/2016 Hinokio D14/228
D802,404 S * 11/2017 Turksu D8/373
D806,072 S * 12/2017 Gummalla D14/358
D806,709 S * 1/2018 Gummalla D14/358
D812,577 S * 3/2018 Turksu D13/168
D816,053 S * 4/2018 Pallakoff D14/137
2005/0258066 A1 * 11/2005 Conley A61J 7/0472
206/538

* cited by examiner
Primary Examiner — Austin Murphy
(74) *Attorney, Agent, or Firm* — Hulseley PC

(57) **CLAIM**
The ornamental design for collar radio transmitter, as shown and described.

DESCRIPTION
FIG. 1 is a top perspective view of a collar radio transmitter with an access opening for securing to the top of a keg container in phantom, showing my new design.
FIG. 2 is a perspective view of a collar radio transmitter with an access opening, thereof.
FIG. 3 is a top view thereof.
FIG. 4 is a bottom plan view thereof.
FIG. 5. is a front/back elevation view thereof; and,
FIG. 6 is a right/left side elevation view thereof.

1 Claim, 2 Drawing Sheets



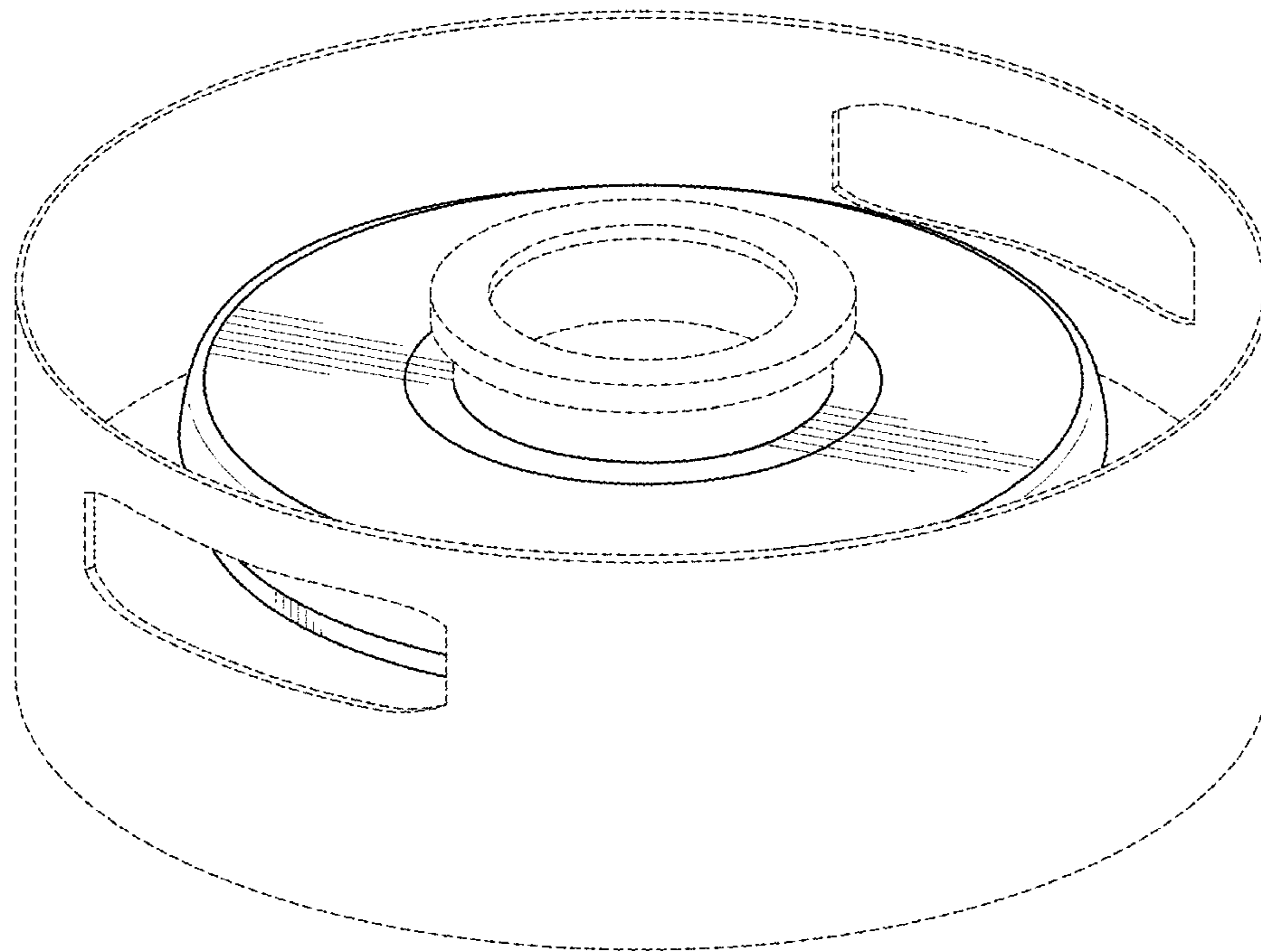


FIG. 1

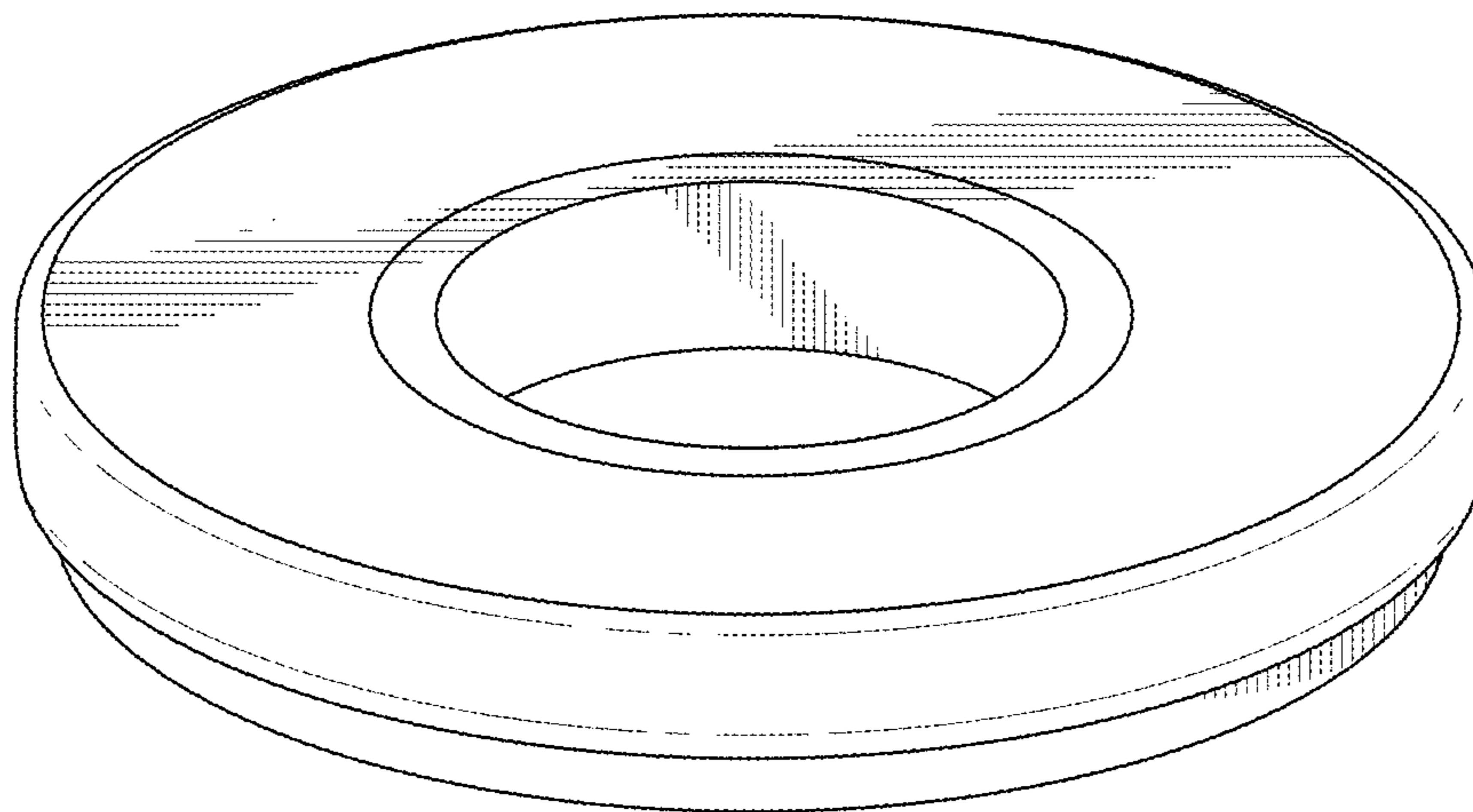


FIG. 2

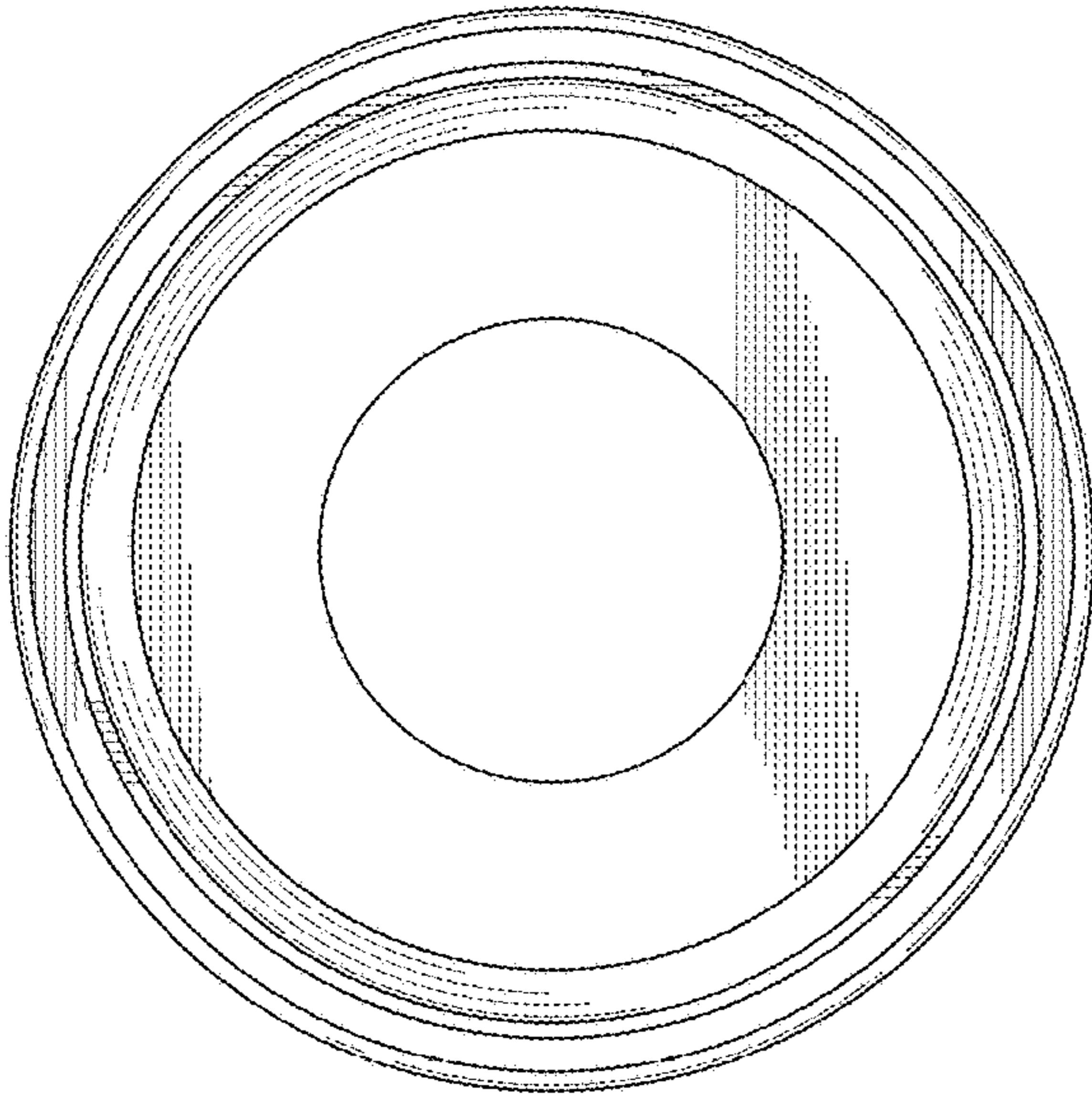


FIG. 4

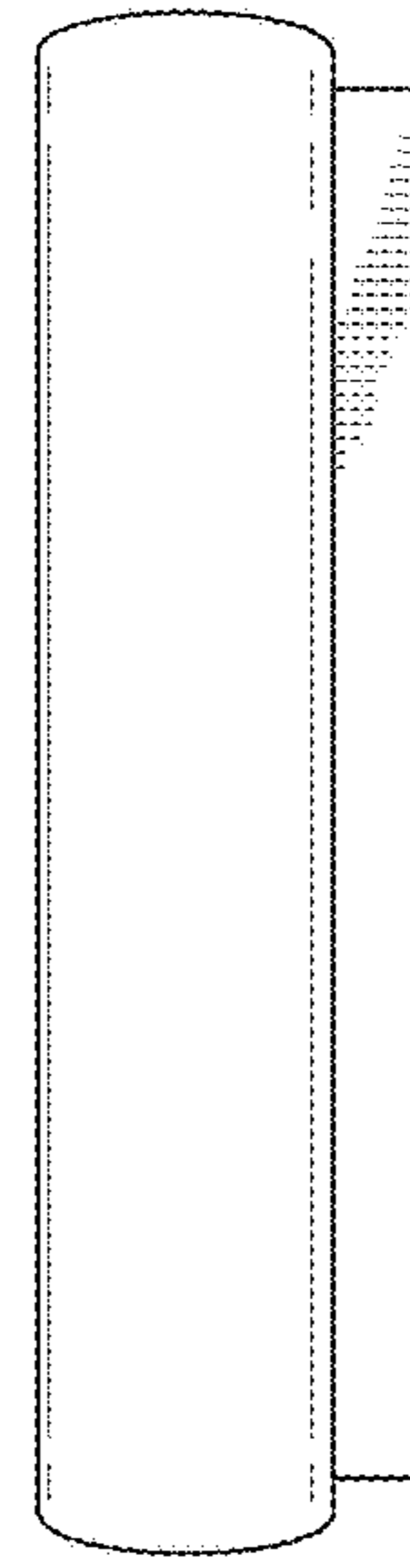


FIG. 6

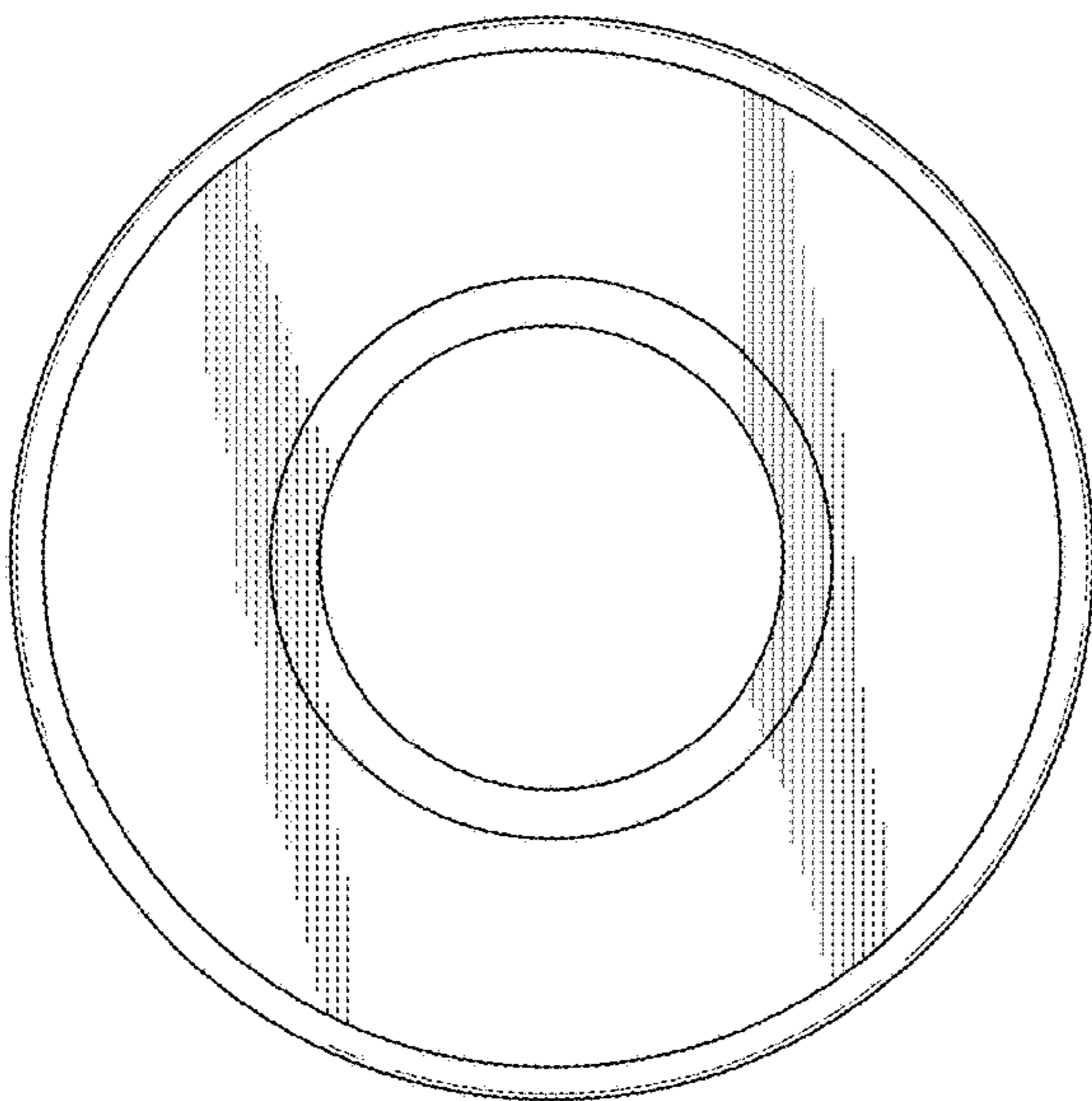


FIG. 3

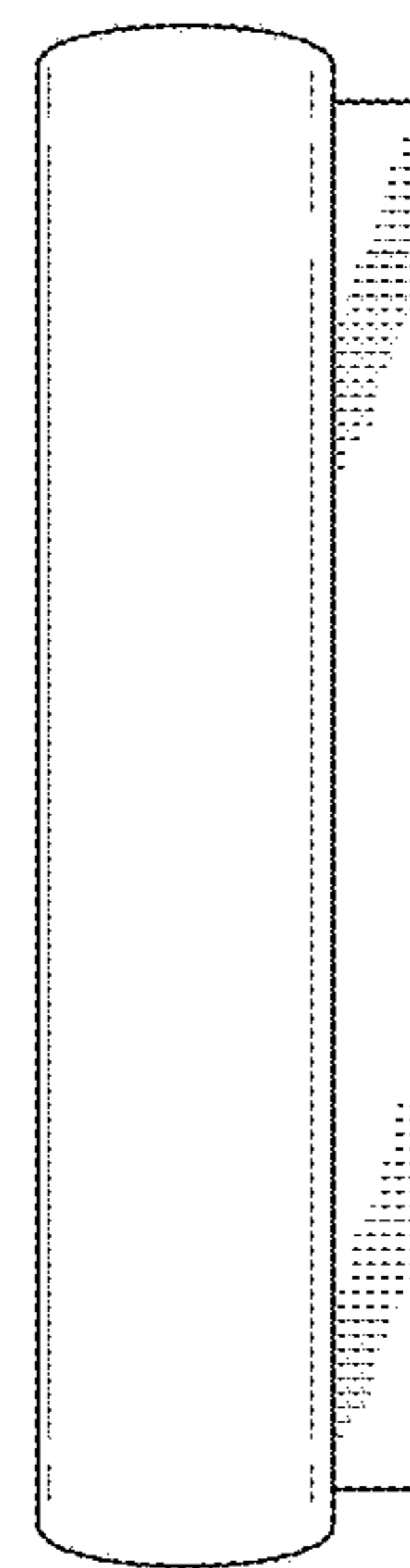


FIG. 5