



US00D830326S

(12) **United States Design Patent**
Lin et al.

(10) **Patent No.:** **US D830,326 S**
(45) **Date of Patent:** **** Oct. 9, 2018**

(54) **PHONE**

(71) Applicant: **SHENZHEN ROYOLE TECHNOLOGIES CO. LTD.**,
Shenzhen (CN)

(72) Inventors: **Qi Lin**, Shenzhen (CN); **Yijun Shi**,
Shenzhen (CN); **Chao Jiang**, Shenzhen
(CN); **Jianlei Zhu**, Shenzhen (CN)

(73) Assignee: **SHENZHEN ROYOLE TECHNOLOGIES CO., LTD.**,
Shenzhen (CN)

(**) Term: **15 Years**

(21) Appl. No.: **29/568,157**

(22) Filed: **Jun. 15, 2016**

(30) **Foreign Application Priority Data**

Dec. 16, 2015 (CN) 2015 3 0536437

(51) **LOC (11) Cl.** **14-03**

(52) **U.S. Cl.**
USPC **D14/147; D14/248**

(58) **Field of Classification Search**
USPC D14/248, 130, 140, 140.7, 140.8, 142,
D14/144, 147, 148, 149, 150, 155, 158,
D14/159, 168, 188, 217, 226, 229, 240,
D14/250, 329, 466-468, 496, 299, 138 R,
D14/138 AA, 138 G, 341; D21/517
CPC H04M 1/00; H04M 1/003; H04M 1/02;
H04M 1/03; H04M 1/04; H04M 1/21
See application file for complete search history.

(56) **References Cited**

U.S. PATENT DOCUMENTS

D211,472 S * 6/1968 Dreyfuss D14/149
D271,871 S * 12/1983 Shimizu D14/148

D292,798 S * 11/1987 Wu D14/150
D300,134 S * 3/1989 Hervatin 379/434
D314,379 S * 2/1991 Cheng D14/151
D315,904 S * 4/1991 Cheng D14/150
D390,844 S * 2/1998 Tung D14/148
D491,922 S * 6/2004 Poulet D14/218
D559,225 S * 1/2008 Denhez D14/140
D633,893 S * 3/2011 Harden D14/147
D681,595 S * 5/2013 Kim D14/138 G
D717,264 S * 11/2014 Lee D14/138 G
D734,308 S * 7/2015 Jeon D14/248
D764,430 S * 8/2016 Sovertkov D14/138 G
D783,568 S * 4/2017 Pista D14/144

(Continued)

OTHER PUBLICATIONS

Yet Another Transparent Cell Phone Design Concept. ladiesgadgets.com. [online] 3 pgs. Posted Oct. 5, 2010. [Retrieved on Sep. 8, 2017] <http://www.ladiesgadgets.com/transparent-cell-phone-design-concept/>.*

(Continued)

Primary Examiner — Susan Bennett Hattan
Assistant Examiner — Marie D. Fast Horse
(74) *Attorney, Agent, or Firm* — Hauptman Ham, LLP

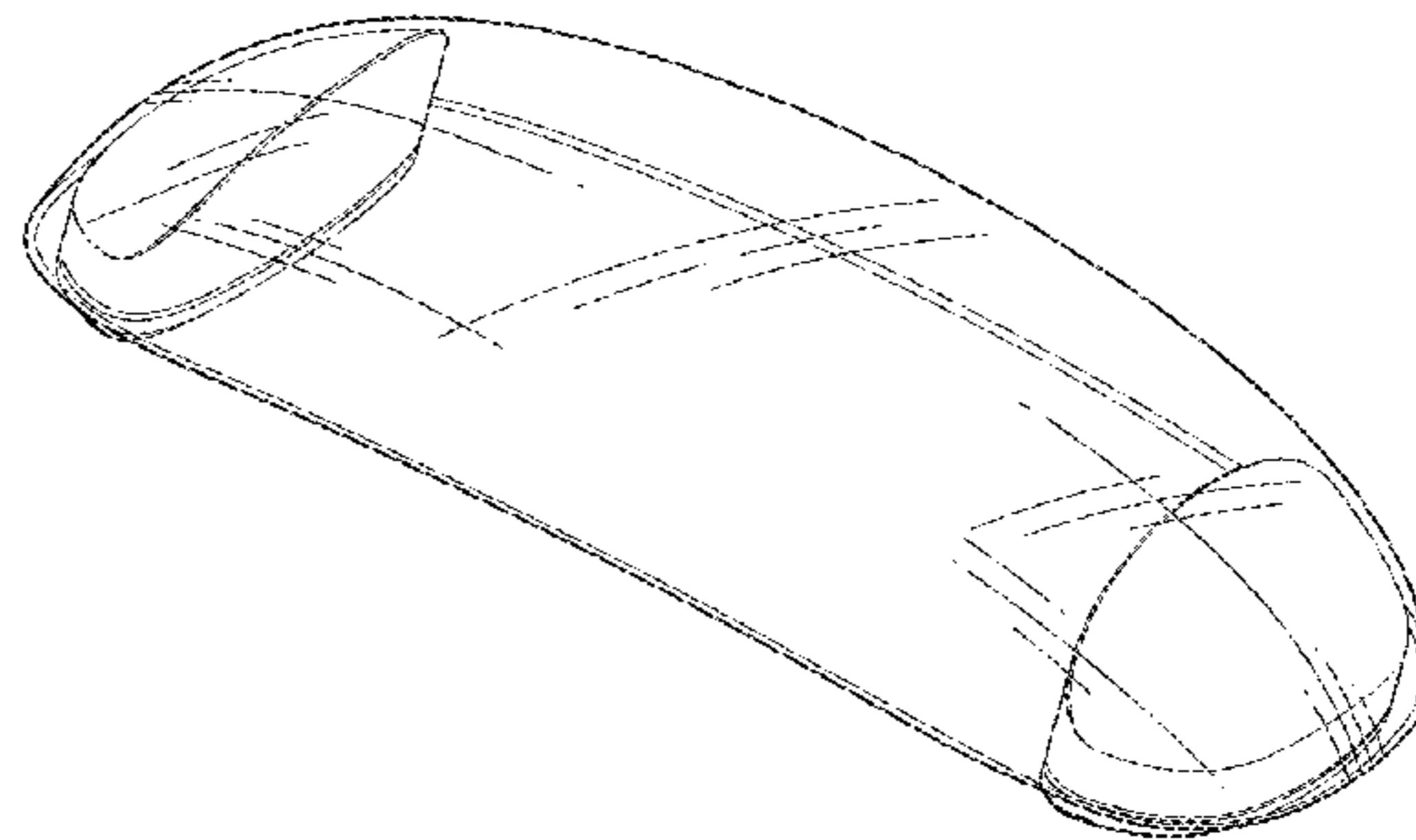
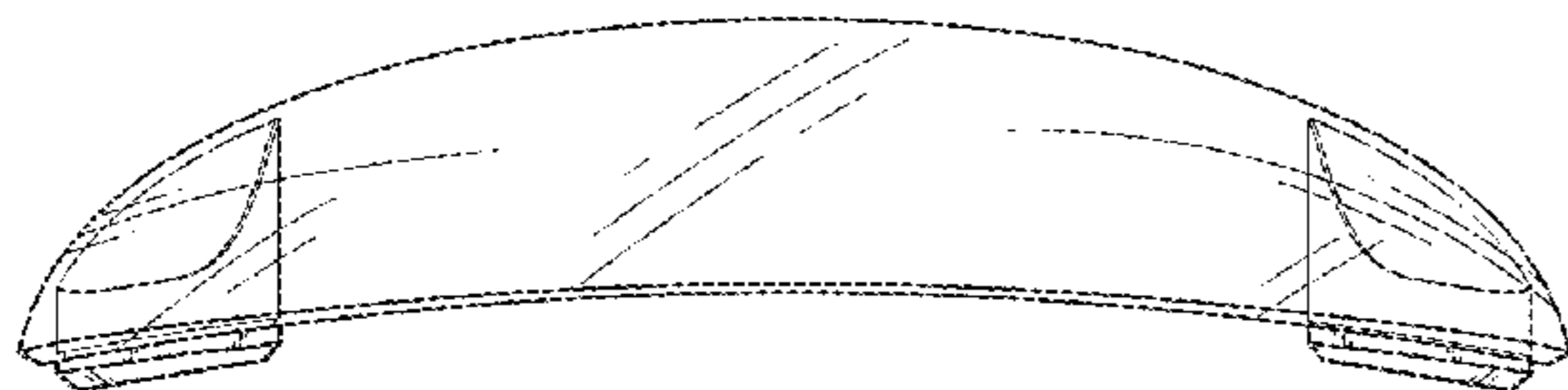
(57) **CLAIM**

The ornamental design for a phone, as shown and described.

DESCRIPTION

FIG. 1 is a front view of a phone showing my new design;
FIG. 2 is a rear view thereof;
FIG. 3 is a left side view thereof;
FIG. 4 is a right side view thereof;
FIG. 5 is a top view thereof;
FIG. 6 is a bottom view thereof; and,
FIG. 7 is a perspective view thereof.
The broken lines in FIG. 6 depict portions of the phone that form no part of the claimed design.

1 Claim, 3 Drawing Sheets



(56)

References Cited

U.S. PATENT DOCUMENTS

D792,864 S * 7/2017 Kim D14/138 C
D792,867 S * 7/2017 Maxwell D14/130
D793,366 S * 8/2017 Kato D14/218
D793,979 S * 8/2017 Lee D14/138 G
D793,980 S * 8/2017 Park D14/138 G
D793,987 S * 8/2017 Hoehn D14/148

OTHER PUBLICATIONS

Royole showcased its ultra-thin and smart flexible electronics applications at CES. royole.com. [online] p. 3 of 7. Posted Jan. 14, 2016. [Retrieved on Sep. 8, 2017] <http://www.royole.com/Royole%20Flexible%20Sensor%20Product%20Introduction>.*

Phones. (Design—© Questel). orbit.com.[online PDF] 32 pgs. Print Dates range Jul. 21, 1992 through Apr. 12, 2017 [retrieved on Sep. 8, 2017] <https://sobjprd.questel.fr/export/QPTUJ214/pdf2/2b903782-0a25-420c-927a-b61573dd3188-002808.pdf>.*

* cited by examiner

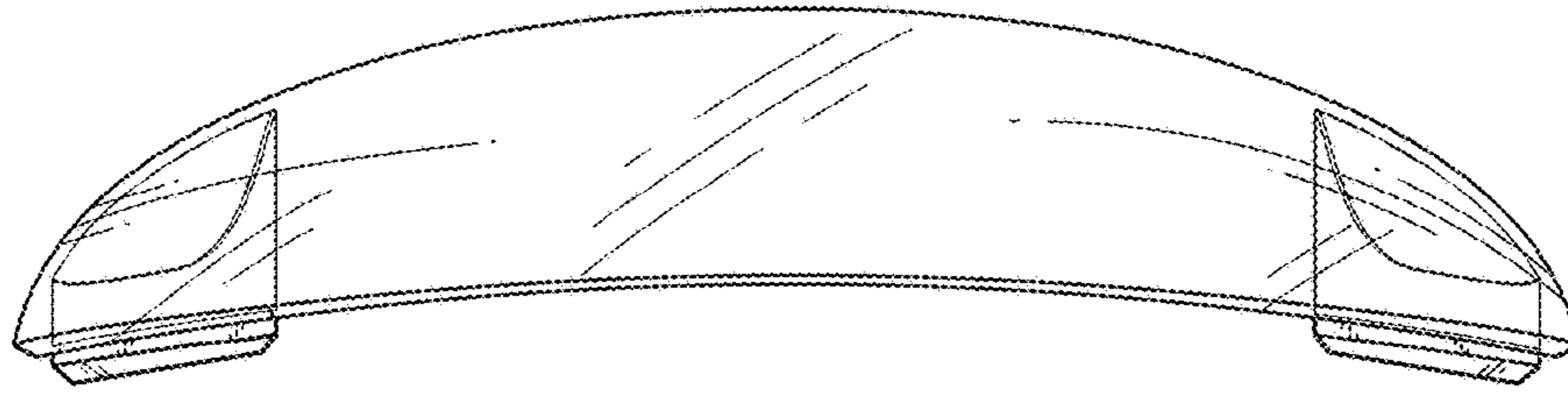


FIG. 1

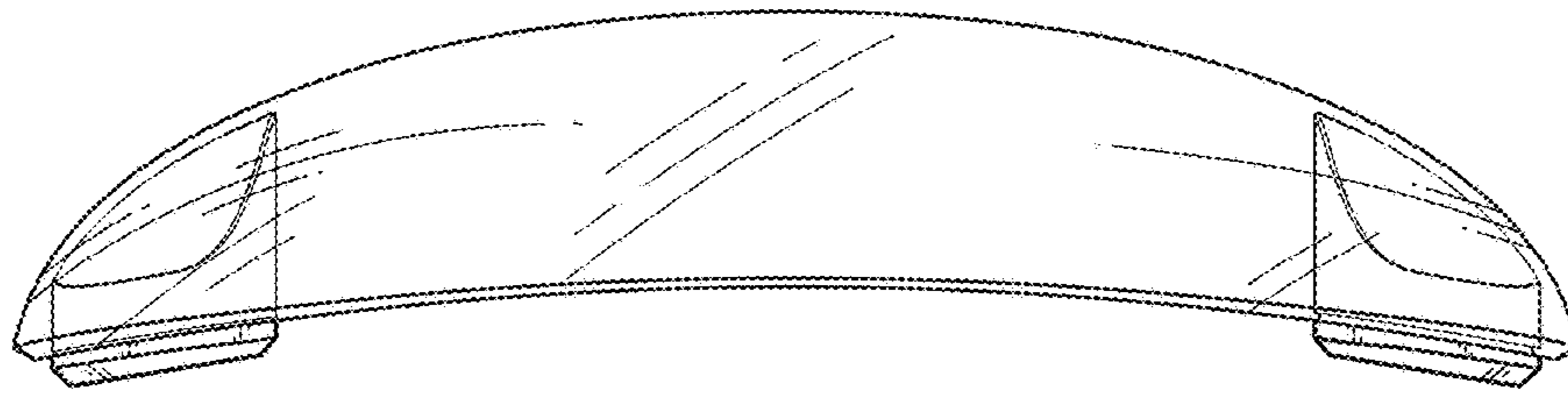


FIG. 2

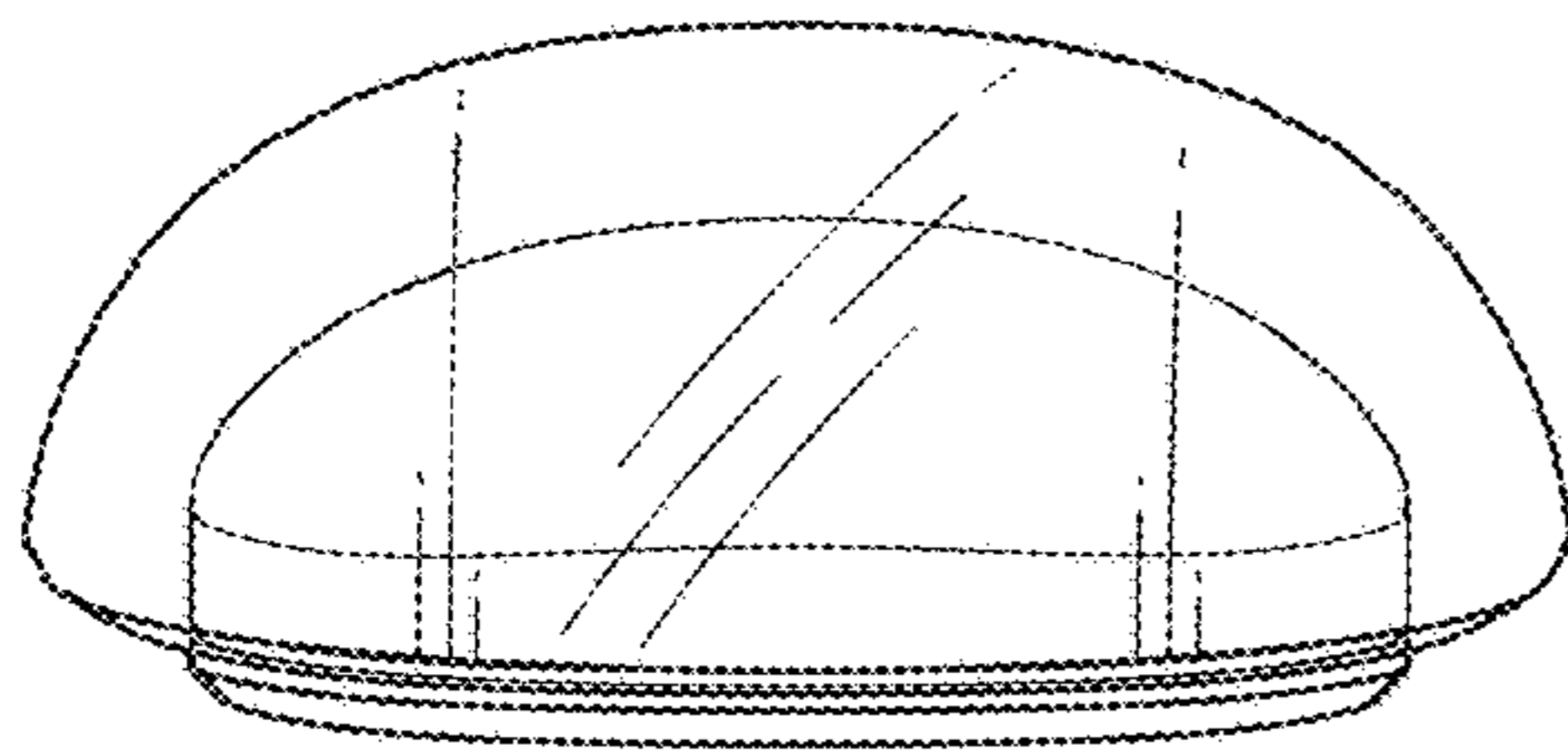


FIG. 3

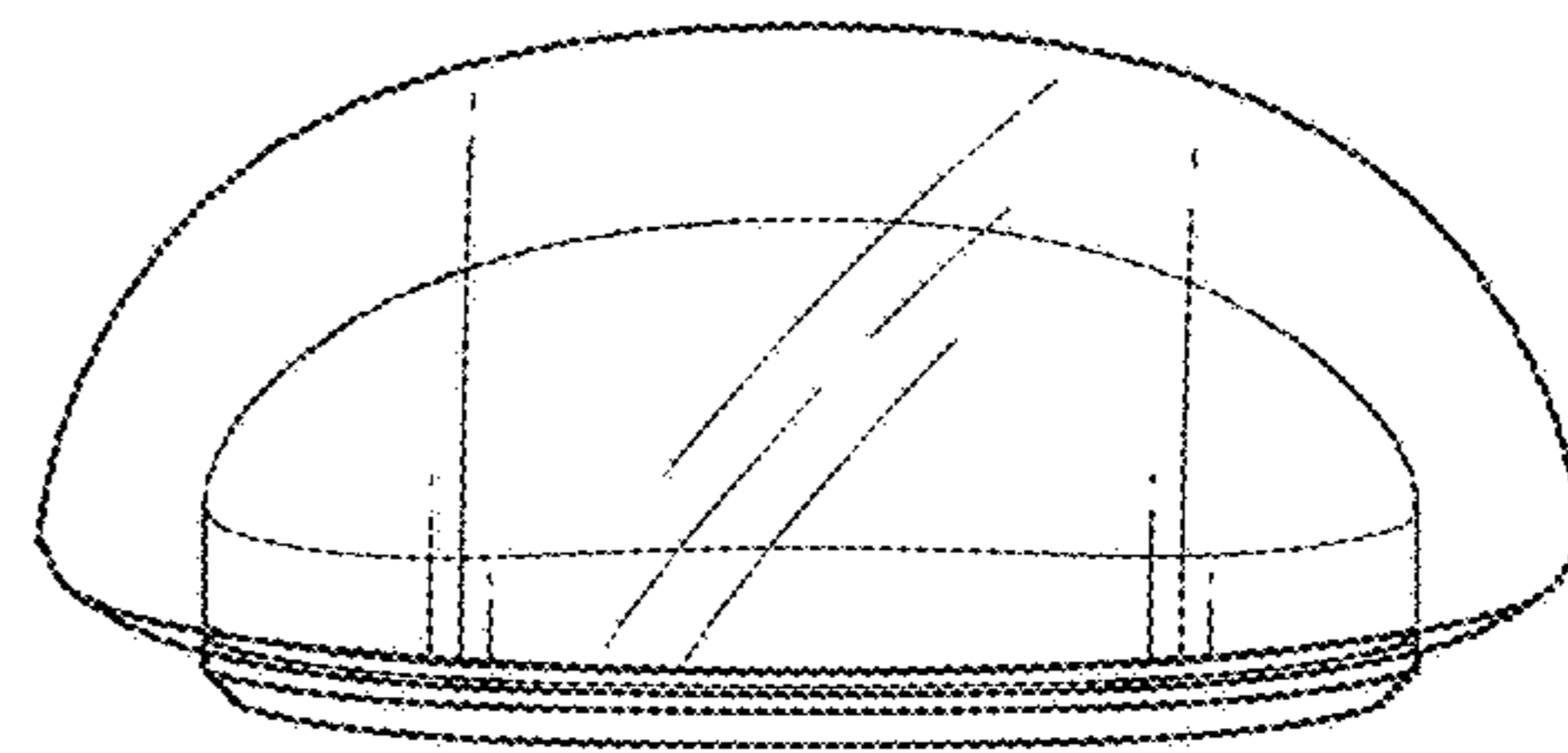


FIG. 4

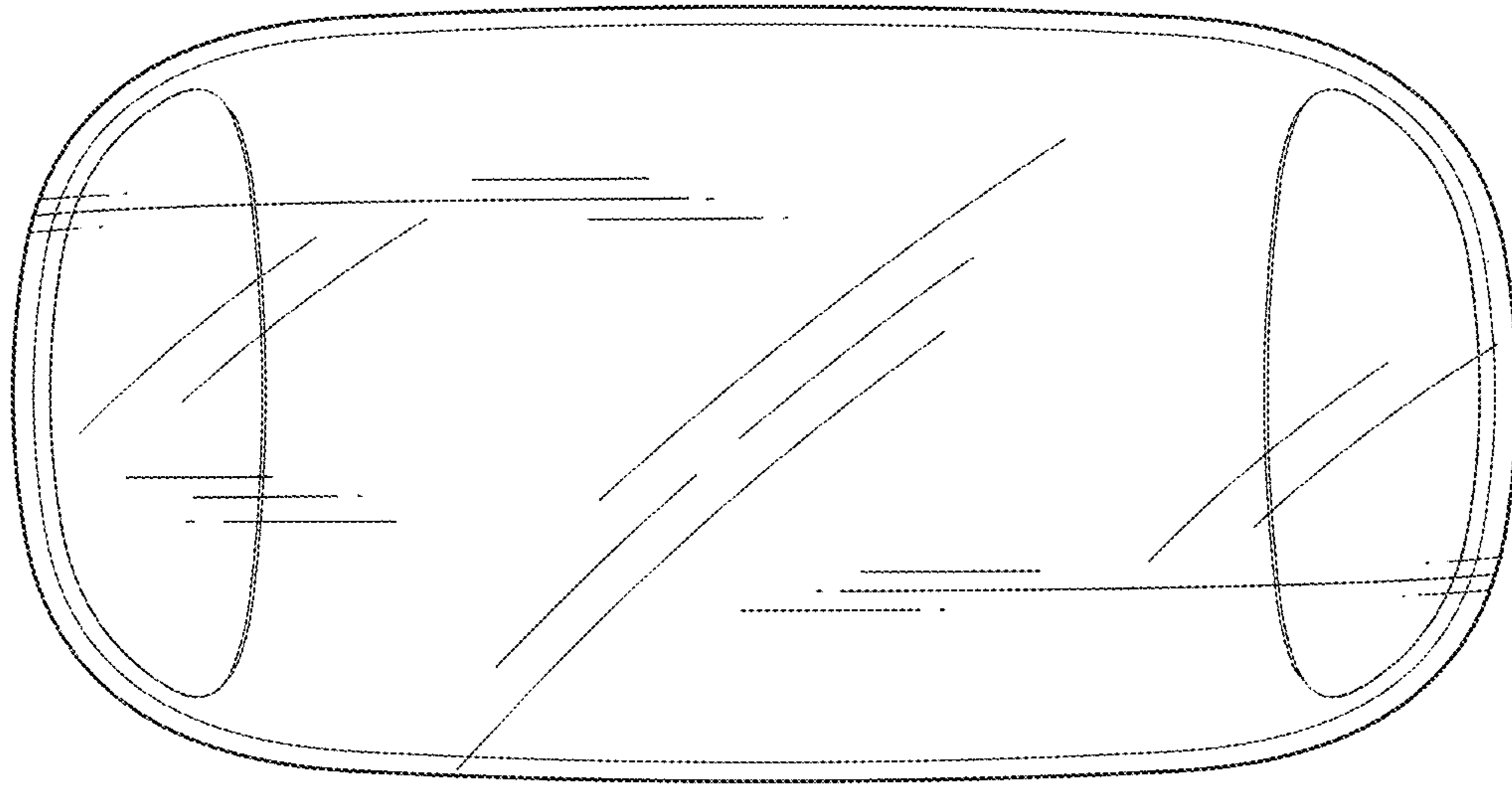


FIG. 5

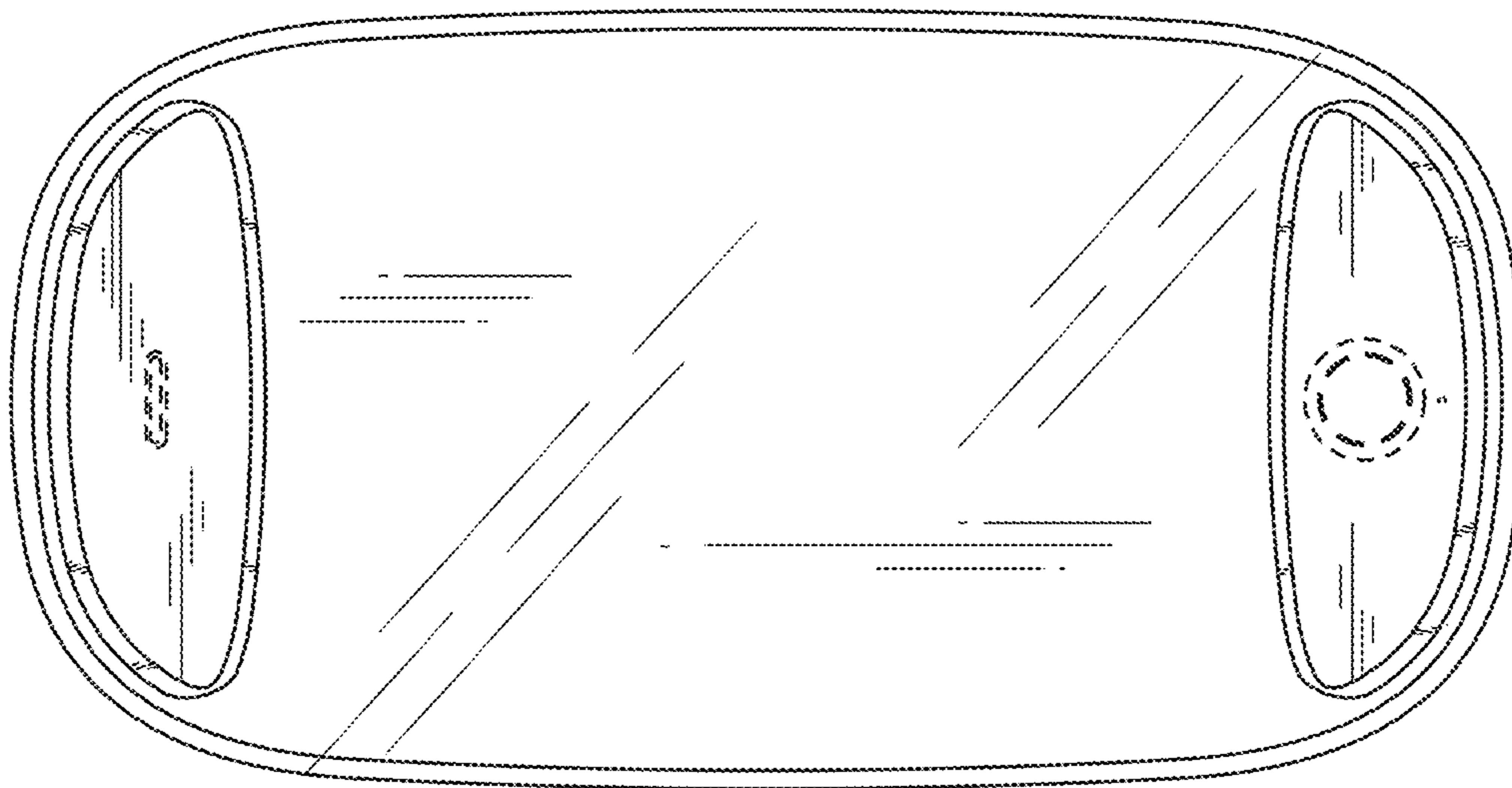


FIG. 6

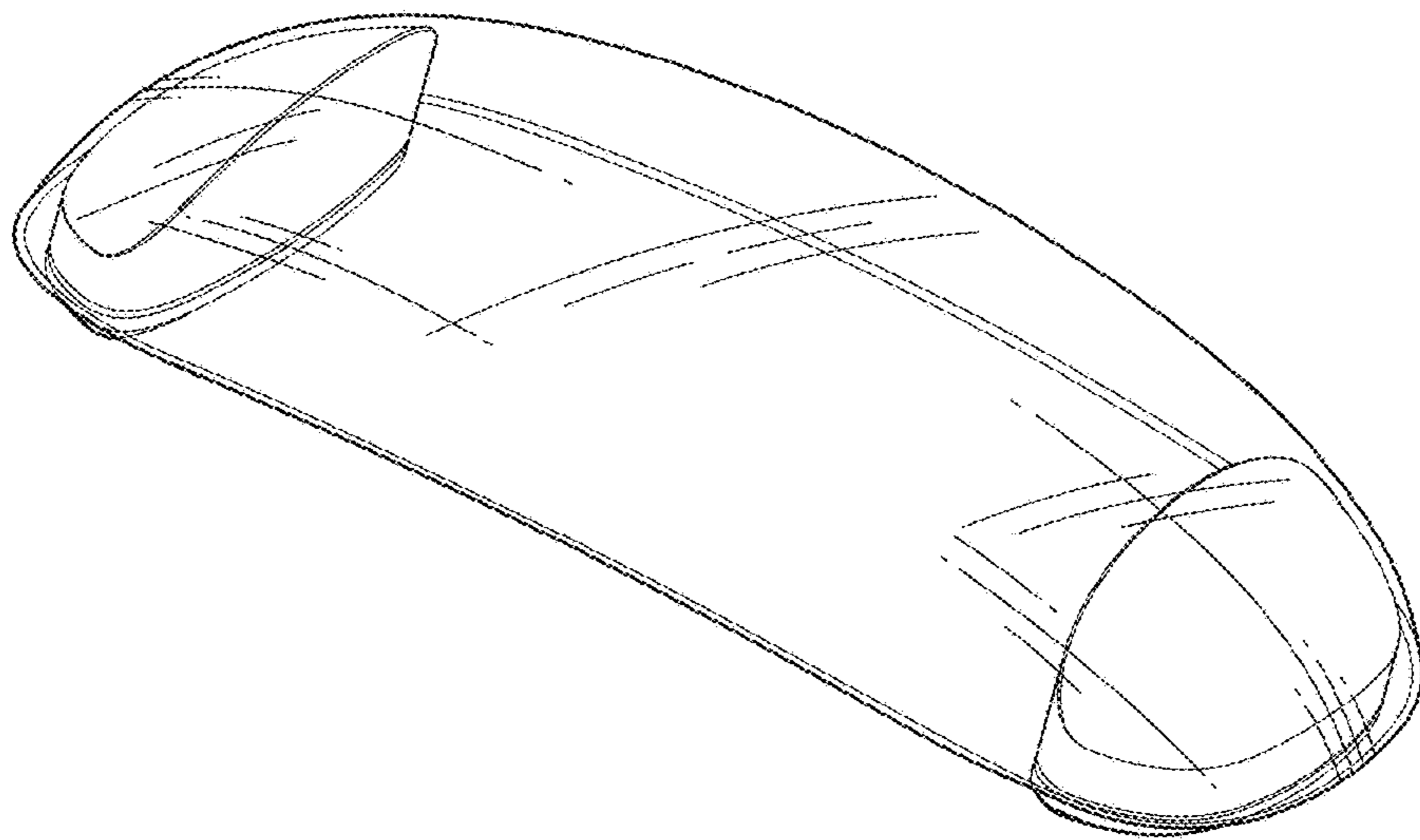


FIG.7