



US00D830324S

(12) **United States Design Patent** (10) **Patent No.:** **US D830,324 S**
Stawski et al. (45) **Date of Patent:** **** Oct. 9, 2018**

(54) **HEALTH INFORMATION COMMUNICATION DEVICE**

(56) **References Cited**

U.S. PATENT DOCUMENTS

(71) Applicant: **C. Rafin & Co Pty Ltd**, Wollongong NSW (AU)
(72) Inventors: **Victor Belina Stawski**, Cringila (AU); **Joshua Rafin**, Unanderra (AU); **Anna Cooper**, Unanderra (AU); **Claudio Giuseppe Rafin**, Unanderra (AU); **Massimo Feliciano Celima**, Shell Cove (AU)

4,653,086 A * 3/1987 Laube H04M 1/23 345/174
D299,030 S * 12/1988 Menn D14/151
D300,320 S * 3/1989 Watanabe D14/140.11
D304,564 S * 11/1989 Kido 379/440
D309,304 S * 7/1990 Takada D14/130
D315,557 S * 3/1991 Grewe D14/130
D321,870 S * 11/1991 Beecher, II D14/130
D323,156 S * 1/1992 Nishida D14/144

(Continued)

(73) Assignee: **C. Rafin & Co Pty Ltd**, Wollongong NSW (AU)

Primary Examiner — Susan Bennett Hattan
Assistant Examiner — Marie D. Fast Horse

(**) Term: **15 Years**

(74) *Attorney, Agent, or Firm* — The Webb Law Firm

(21) Appl. No.: **29/583,098**

(57) **CLAIM**

(22) Filed: **Nov. 2, 2016**

The ornamental design for a health information communication device, as shown and described.

(30) **Foreign Application Priority Data**

DESCRIPTION

May 3, 2016 (AU) 201612400

(51) **LOC (11) Cl.** **14-03**

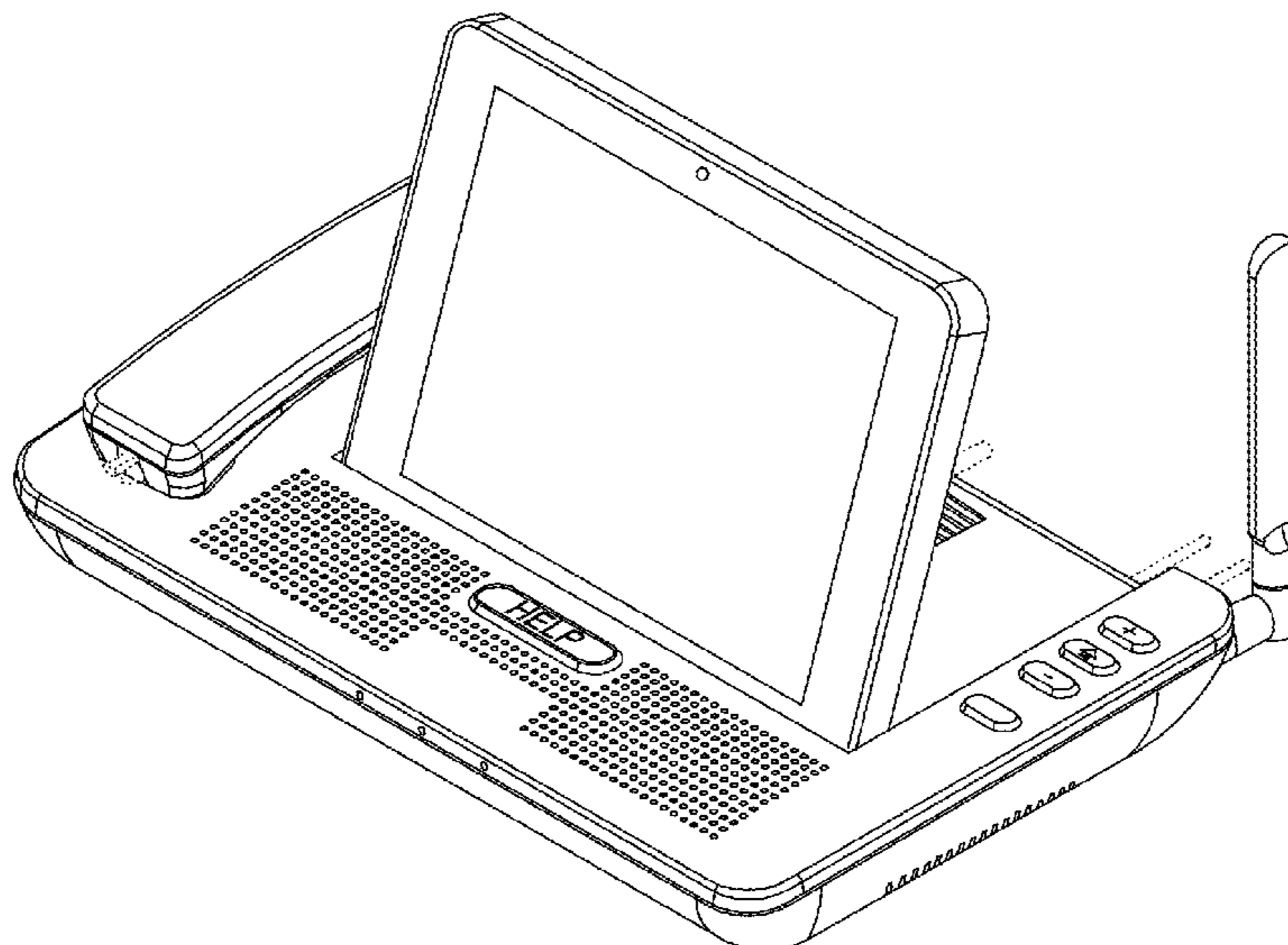
(52) **U.S. Cl.**
USPC **D14/130; D24/186**

(58) **Field of Classification Search**
USPC ... D14/140, 140.1, 140.7, 140.8, 141.2, 142, D14/144, 147, 148, 149, 150, 151, 158, D14/159, 188, 217, 240, 243, 247, 248, D14/251, 299, 329, 462, 467, 471, 130; D21/517; D24/107, 167, 185, 186
CPC H04M 1/00; H04M 1/003; H04M 1/006; H04M 1/02; H04M 1/0297; H04M 1/03; H04M 1/0214; H04M 1/6041; H04M 1/6066; H04M 1/23; H04M 1/253; H04M 1/2535; H04M 7/006; A61B 5/74; A61B 5/7465

FIG. 1 is a front perspective view of a health information communication device showing our new design;
FIG. 2 is a front view thereof;
FIG. 3 is a left side view thereof;
FIG. 4 is a right side view thereof;
FIG. 5 is a rear view thereof;
FIG. 6 is a top view thereof; and,
FIG. 7 is a bottom view thereof.
The dashed broken lines in FIGS. 2-5 and 7 depict portions of the health information communication device that form no part of the claimed design.
The dotted broken lines in FIGS. 1-7 showing the cables attached to the handset, the rear, and the bottom of the health information communication device depict environment only and form no part of the claimed design.

See application file for complete search history.

1 Claim, 7 Drawing Sheets



(56)

References Cited

U.S. PATENT DOCUMENTS

D323,657 S * 2/1992 Danielson 379/368
 D331,752 S * 12/1992 Kashiwabara D14/467
 D333,304 S * 2/1993 Taniuchi D14/140
 D350,743 S * 9/1994 Hicks, III D14/130
 5,412,417 A * 5/1995 Tozuka H04N 7/142
 348/14.01
 D385,881 S * 11/1997 Bressler D24/186
 D392,946 S * 3/1998 Elkins D14/130
 D396,451 S * 7/1998 Wicks D14/130
 D411,987 S * 7/1999 Mizusugi D14/130
 D418,489 S * 1/2000 Renard D14/130
 D425,053 S * 5/2000 Clark D14/130
 D463,780 S * 10/2002 Hung D14/130
 D469,072 S * 1/2003 Dickinson D14/130
 D472,536 S * 4/2003 Schramm D14/149
 D478,881 S * 8/2003 O'Leary D14/130
 6,618,903 B2 * 9/2003 Kim H04M 1/02
 16/337
 D490,516 S * 5/2004 Takahashi D24/107
 D499,713 S * 12/2004 Shibata D14/151
 D511,761 S * 11/2005 Robinson D14/151
 D512,705 S * 12/2005 Bhavnani D14/151
 D534,512 S * 1/2007 Kim D14/130

D550,364 S * 9/2007 Glover D24/186
 D555,790 S * 11/2007 McCulloch D24/165
 D605,615 S * 12/2009 Fuxen D14/130
 D609,662 S * 2/2010 Noreng D14/130
 D615,066 S * 5/2010 Huang D14/130
 D616,843 S * 6/2010 Jones D14/130
 D620,464 S * 7/2010 Quiros D14/130
 D652,039 S * 1/2012 Hwang D13/107
 D658,616 S * 5/2012 Van Der Flier D14/130
 D658,627 S * 5/2012 Katori D14/130
 D662,909 S * 7/2012 Dix D14/151
 D675,592 S * 2/2013 Fuxen D14/151
 D683,034 S * 5/2013 Shigeno D24/186
 D697,626 S * 1/2014 Laplante D24/186
 D702,355 S * 4/2014 Laplante D24/186
 D736,392 S * 8/2015 Kwon D24/185
 D743,924 S * 11/2015 Hillenmayer D14/142
 9,210,259 B2 * 12/2015 Schaade H04L 12/12
 D748,805 S * 2/2016 Wolfson D24/185
 D757,677 S * 5/2016 Hutt D14/151
 D758,984 S * 6/2016 Maxwell D14/130
 D772,836 S * 11/2016 Engelke D14/151
 2002/0018051 A1 * 2/2002 Singh G06F 3/0488
 345/173
 2011/0274013 A1 * 11/2011 Gass A61B 5/002
 370/261

* cited by examiner

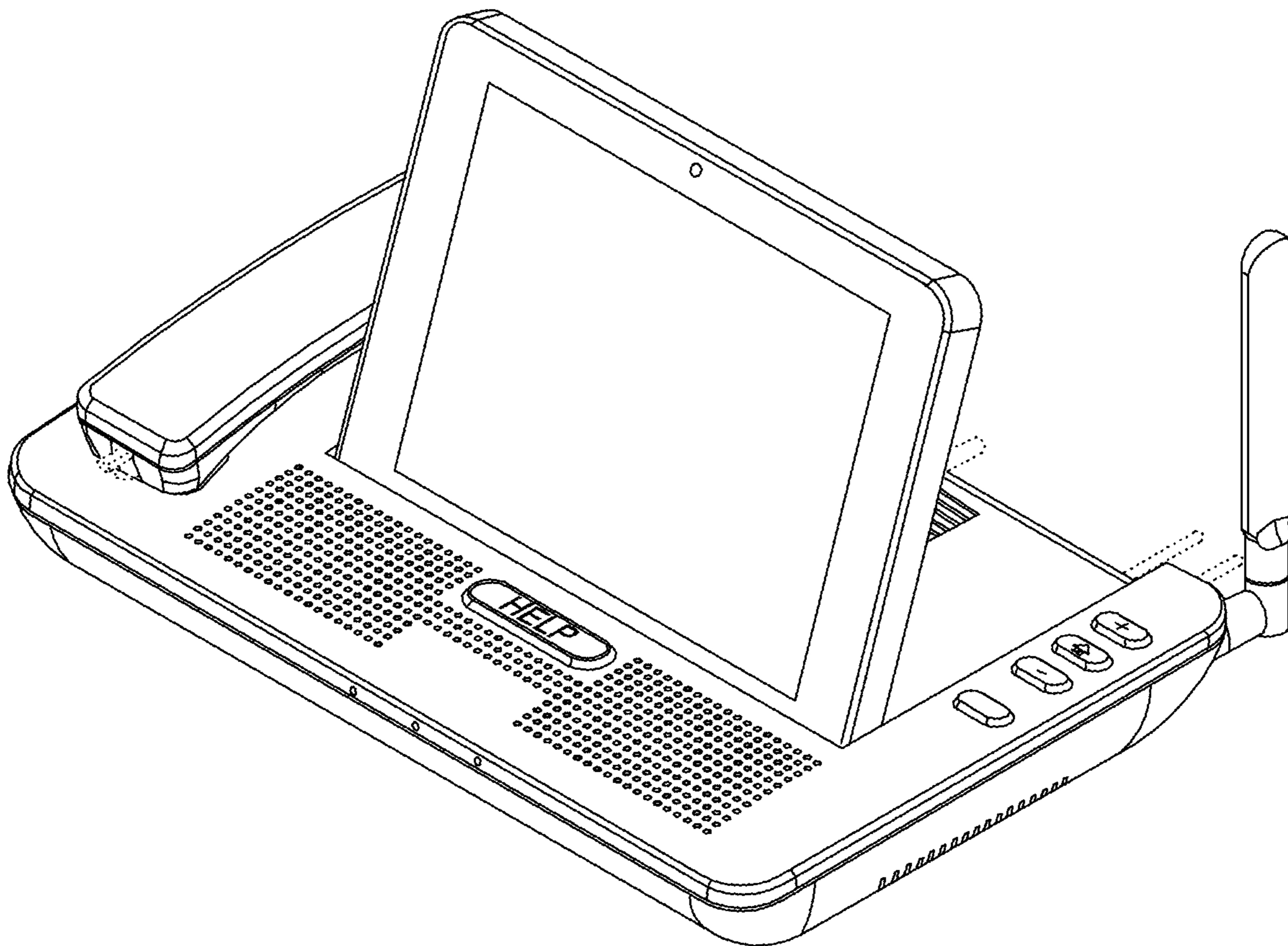


FIG. 1

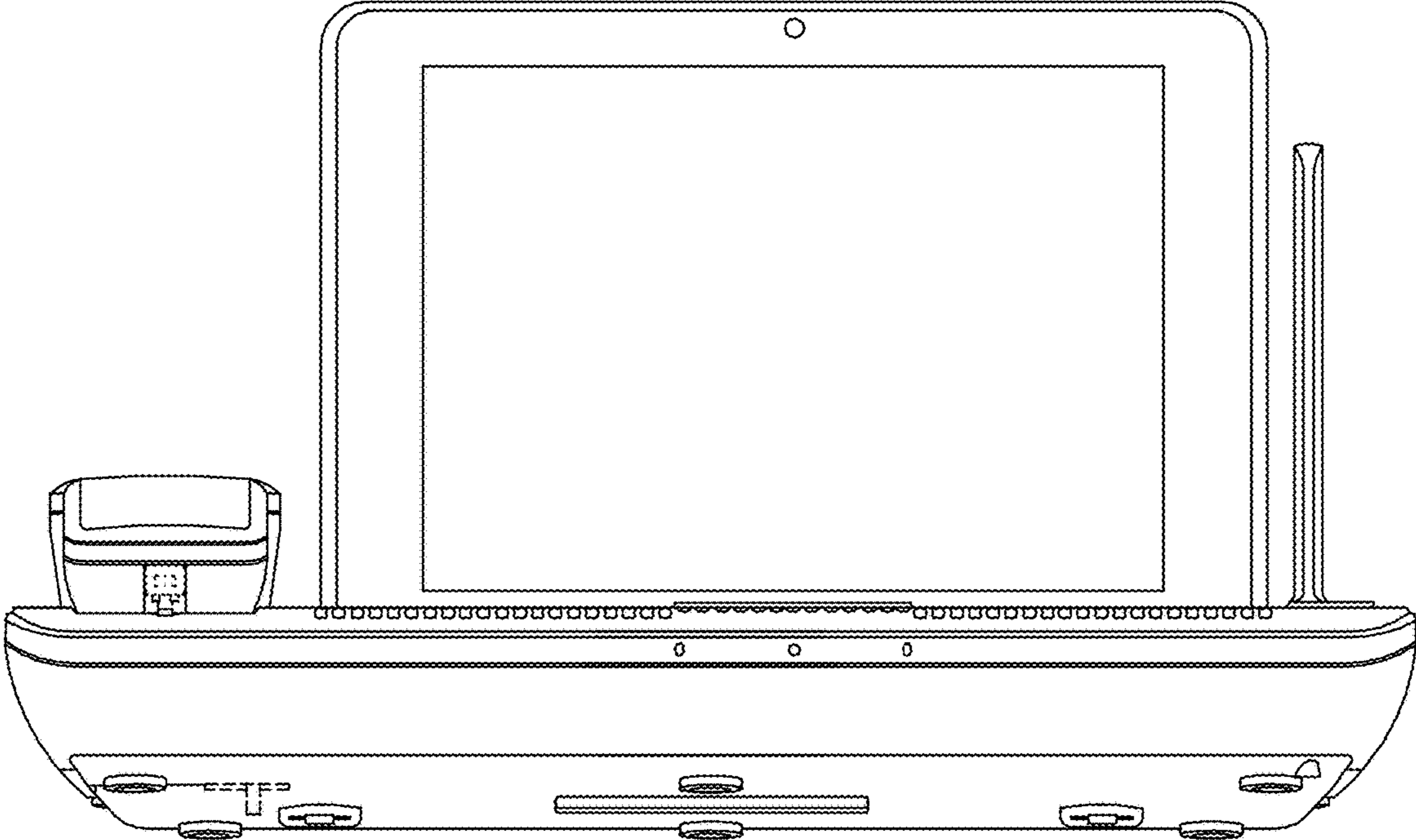


FIG. 2

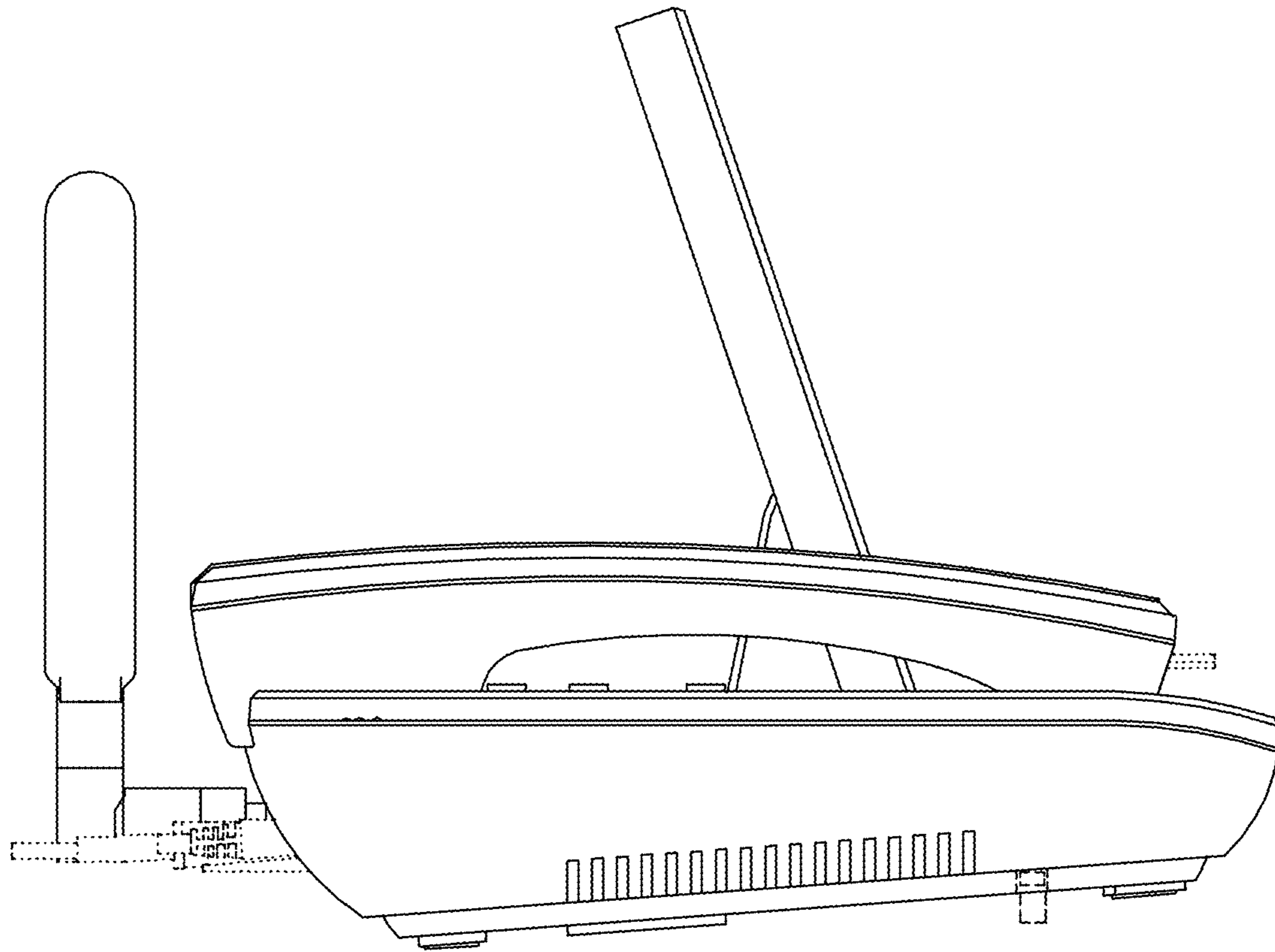


FIG. 3

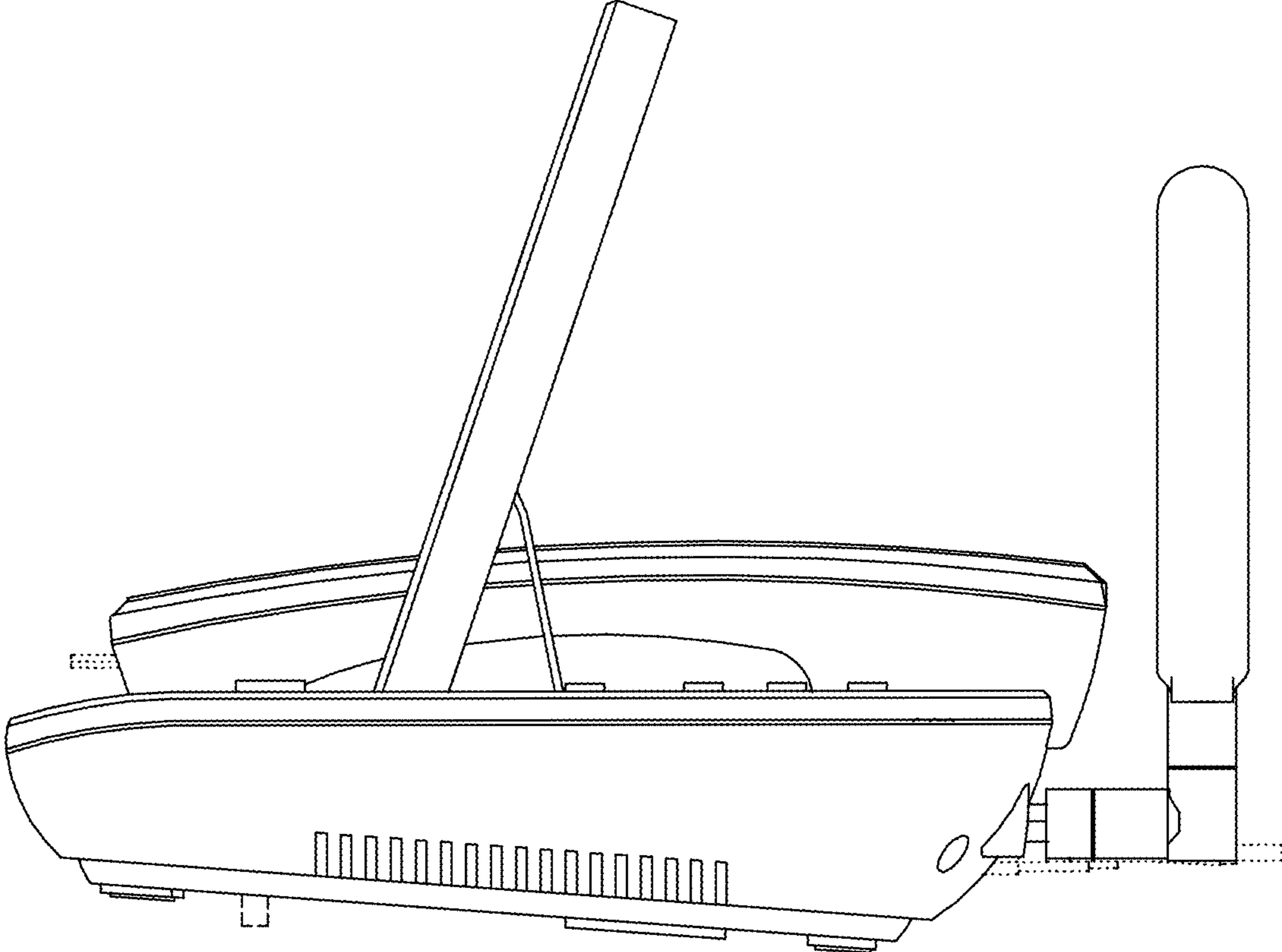


FIG. 4

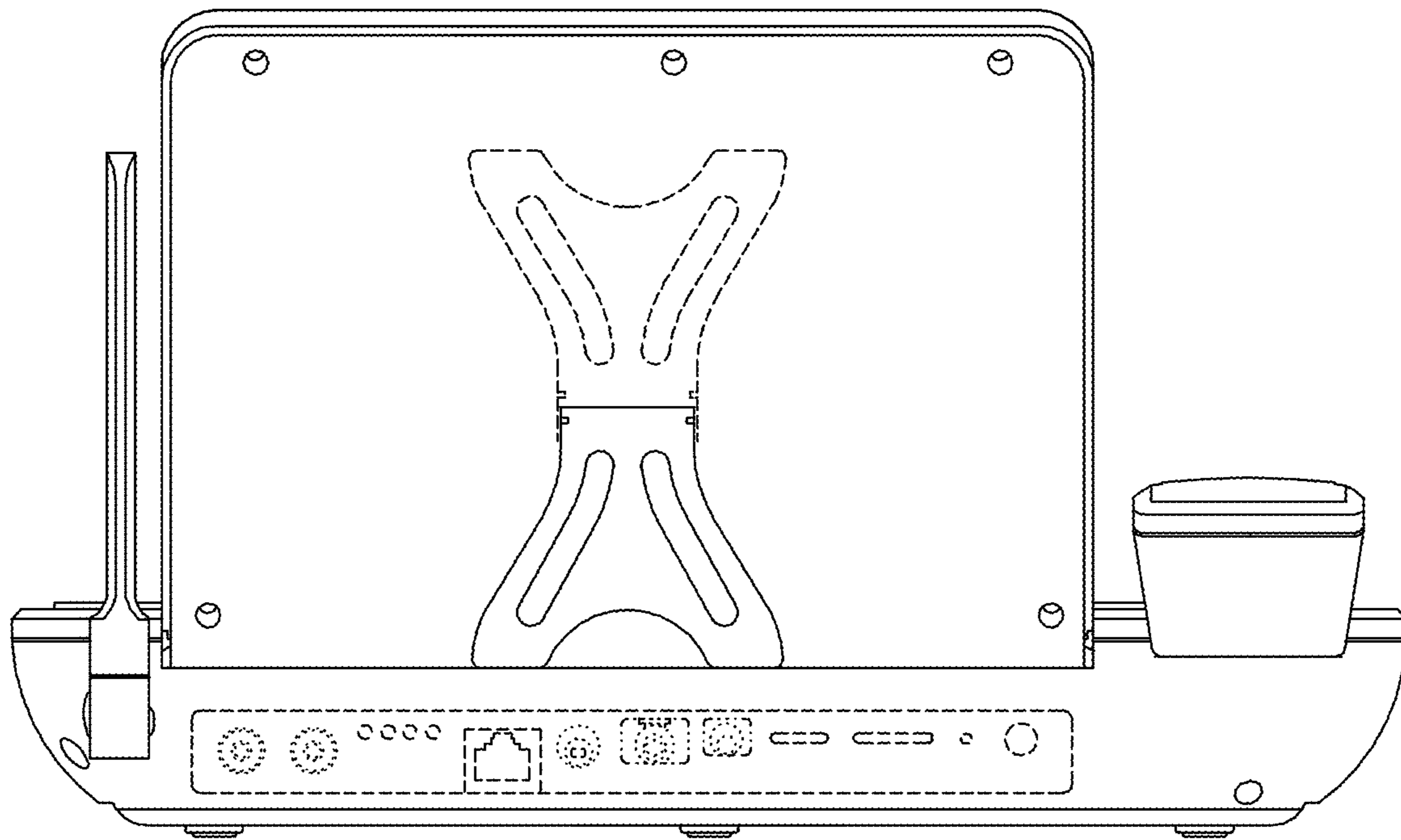


FIG. 5

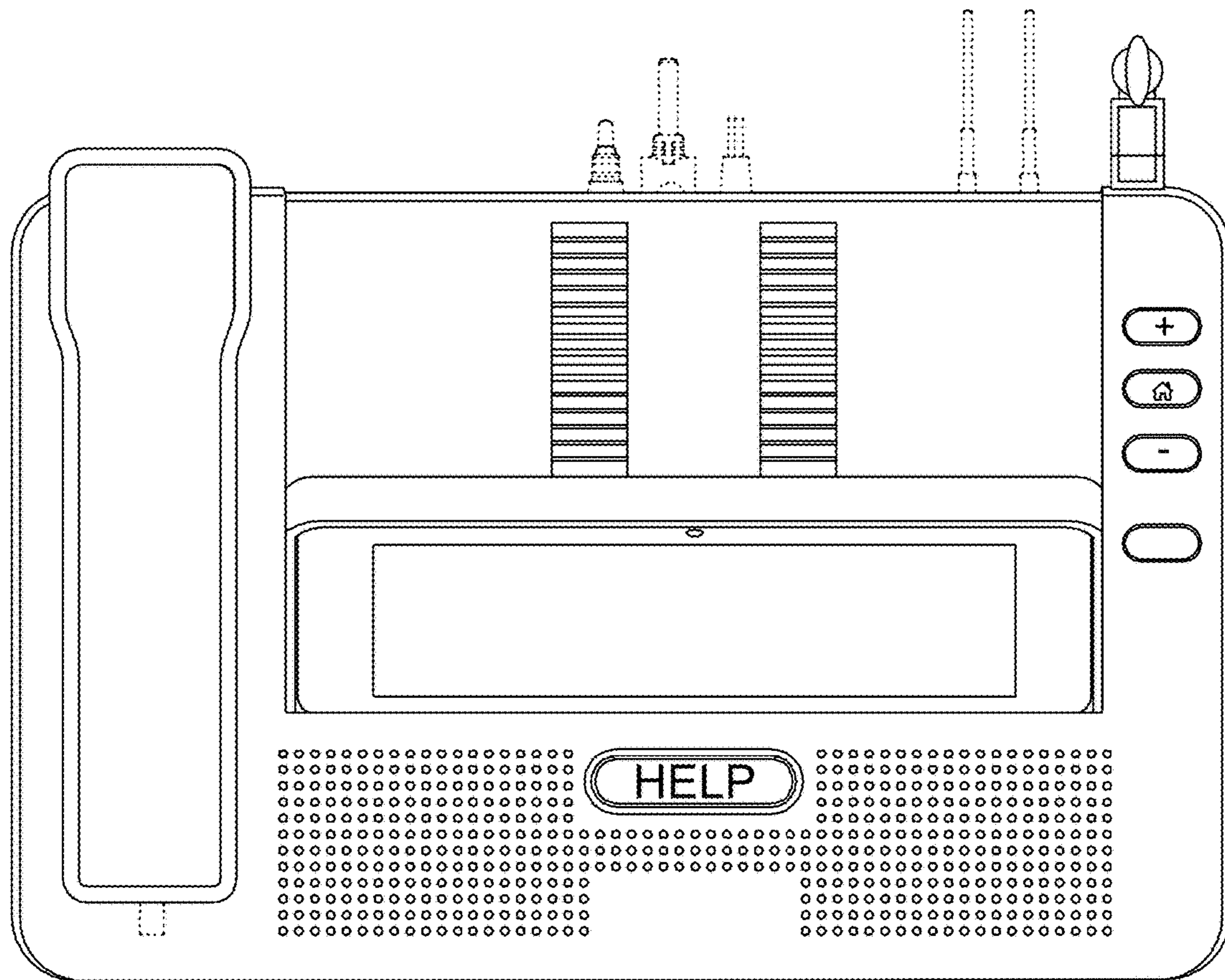


FIG. 6

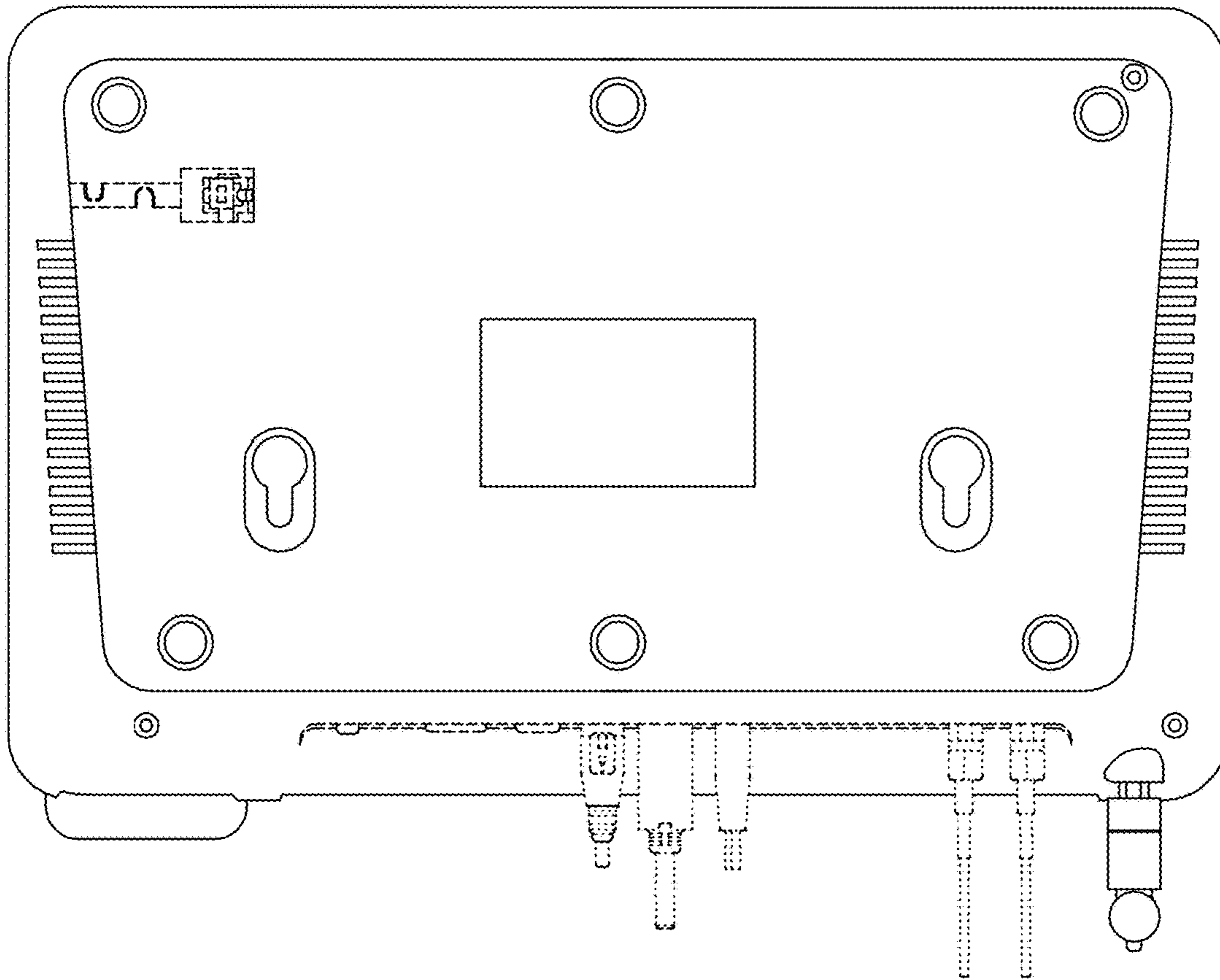


FIG. 7