



US00D830322S

(12) **United States Design Patent**
Yaprak et al.

(10) **Patent No.:** **US D830,322 S**
(45) **Date of Patent:** **** Oct. 9, 2018**

- (54) **HOUSING**
- (71) Applicant: **VORBECK MATERIALS CORP.**,
Jessup, MD (US)
- (72) Inventors: **Can Gun Yaprak**, Halethorpe, MD
(US); **Spencer Perkins**, Washington,
DC (US)
- (**) Term: **15 Years**
- (21) Appl. No.: **29/575,184**
- (22) Filed: **Aug. 23, 2016**
- (51) **LOC (11) Cl.** **13-03**
- (52) **U.S. Cl.**
USPC **D13/184**
- (58) **Field of Classification Search**
USPC D13/102–106, 110, 118, 119, 184;
D14/341, 346, 498, 507, 509, 299, 432
CPC Y02E 60/12; Y02E 60/122; Y02E 60/124;
Y02E 60/50; H01M 2/02; H01M 2/022;
H01M 2/0202; H01M 2/0207; H01M
2/0212; H01M 2/1061; H01M 2/1022;
H01M 2/1055; H01M 2/1066; H01M
2/105; H01M 2/204; H01M 10/4257;
H01M 10/0426; H01M 10/48
See application file for complete search history.

- D550,210 S * 9/2007 Polany D14/217
- D555,019 S * 11/2007 Au Yeung D10/70
- D593,884 S * 6/2009 Wang D10/70
- 7,559,877 B2 * 7/2009 Parks A63B 69/0028
482/3
- D597,425 S * 8/2009 Au Yeung D10/70
- D659,037 S * 5/2012 Madsen D10/65
- D674,715 S * 1/2013 Dalton B25C 7/00
D10/70
- D680,063 S * 4/2013 Sasada D13/103
- D682,126 S * 5/2013 Tello B42D 25/22
D10/70
- D717,680 S * 11/2014 Park D10/70
- D725,591 S * 3/2015 Chien D13/103
- D737,708 S * 9/2015 Jung D10/70
- D760,098 S * 6/2016 Benoit D10/70
- D815,292 S * 4/2018 Goldman D24/186
- D817,332 S * 5/2018 Yaprak D14/432

* cited by examiner

Primary Examiner — Brandon M Rosati
Assistant Examiner — Harold E Blackwell, II
(74) *Attorney, Agent, or Firm* — Trentice V. Bolar, Esq.

(57) **CLAIM**

The ornamental design for a housing, as shown.

DESCRIPTION

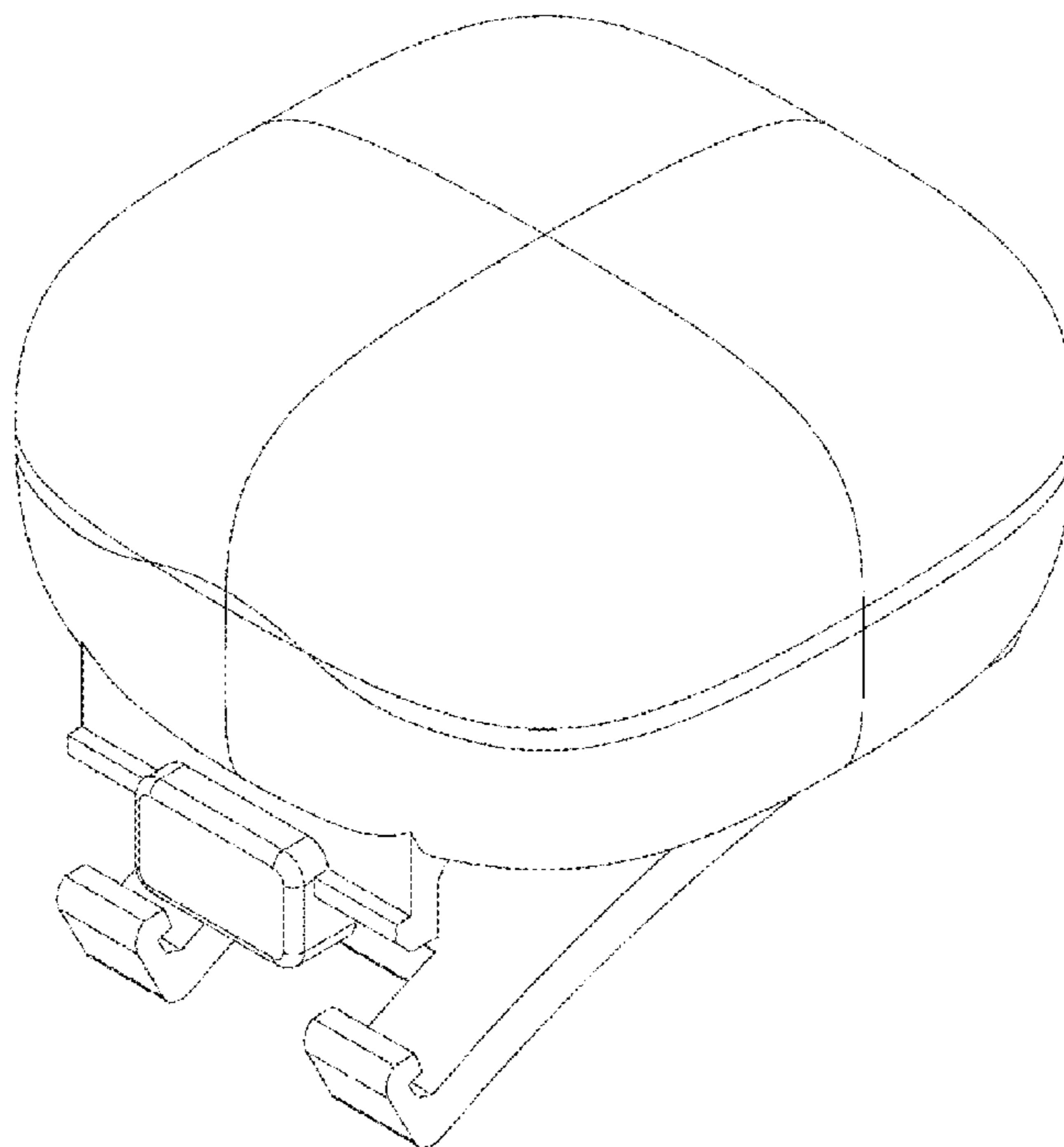
FIG. 1 is an isometric view of a housing of the new design.
FIG. 2 is a front view of a housing of the new design.
FIG. 3 is a side view of a housing of the new design; and,
FIG. 4 is a back view of a housing of the new design.

1 Claim, 4 Drawing Sheets

(56) **References Cited**

U.S. PATENT DOCUMENTS

- D375,695 S * 11/1996 Narai D10/70
- D511,699 S * 11/2005 Pan D10/70



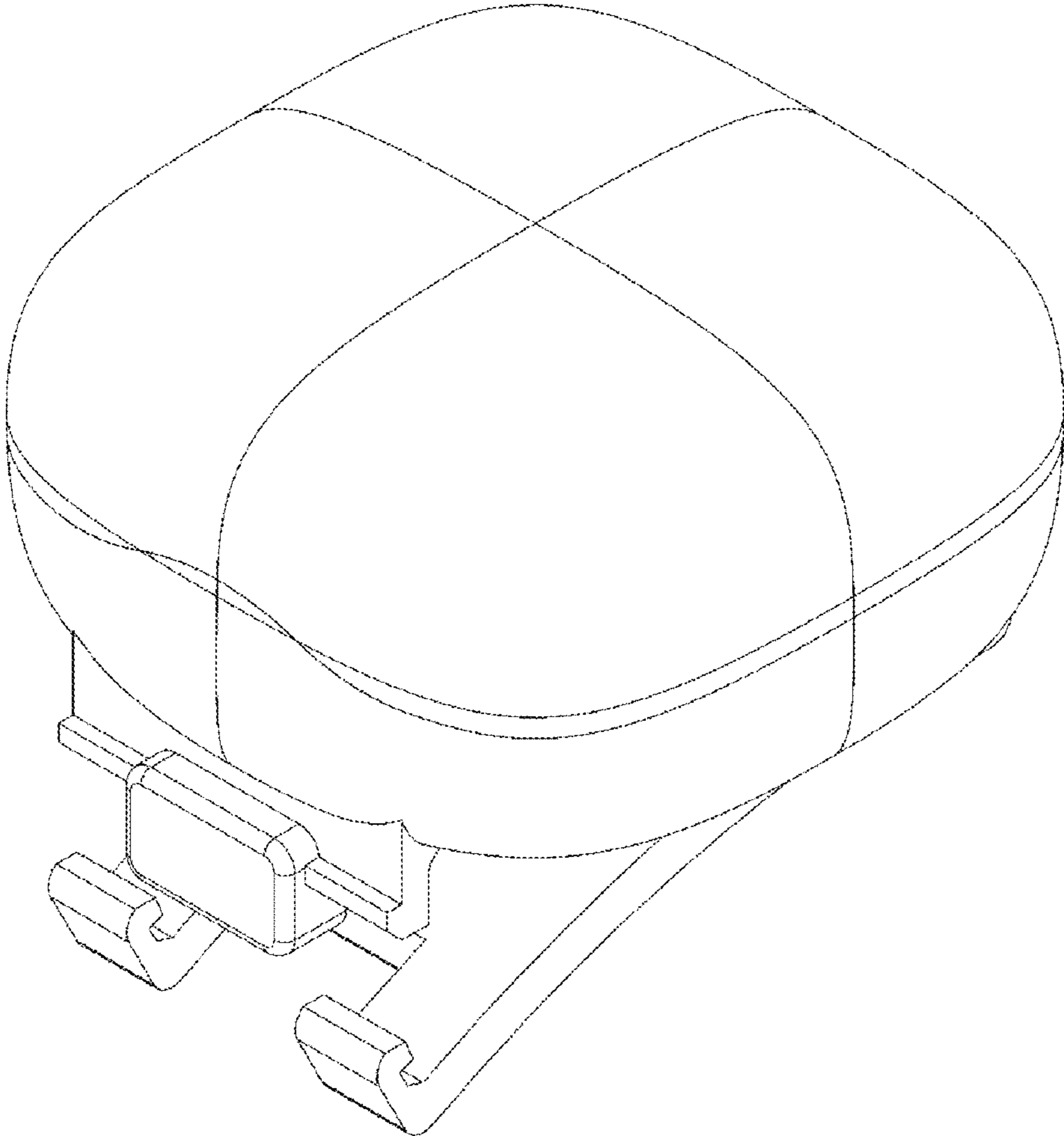


FIG. 1

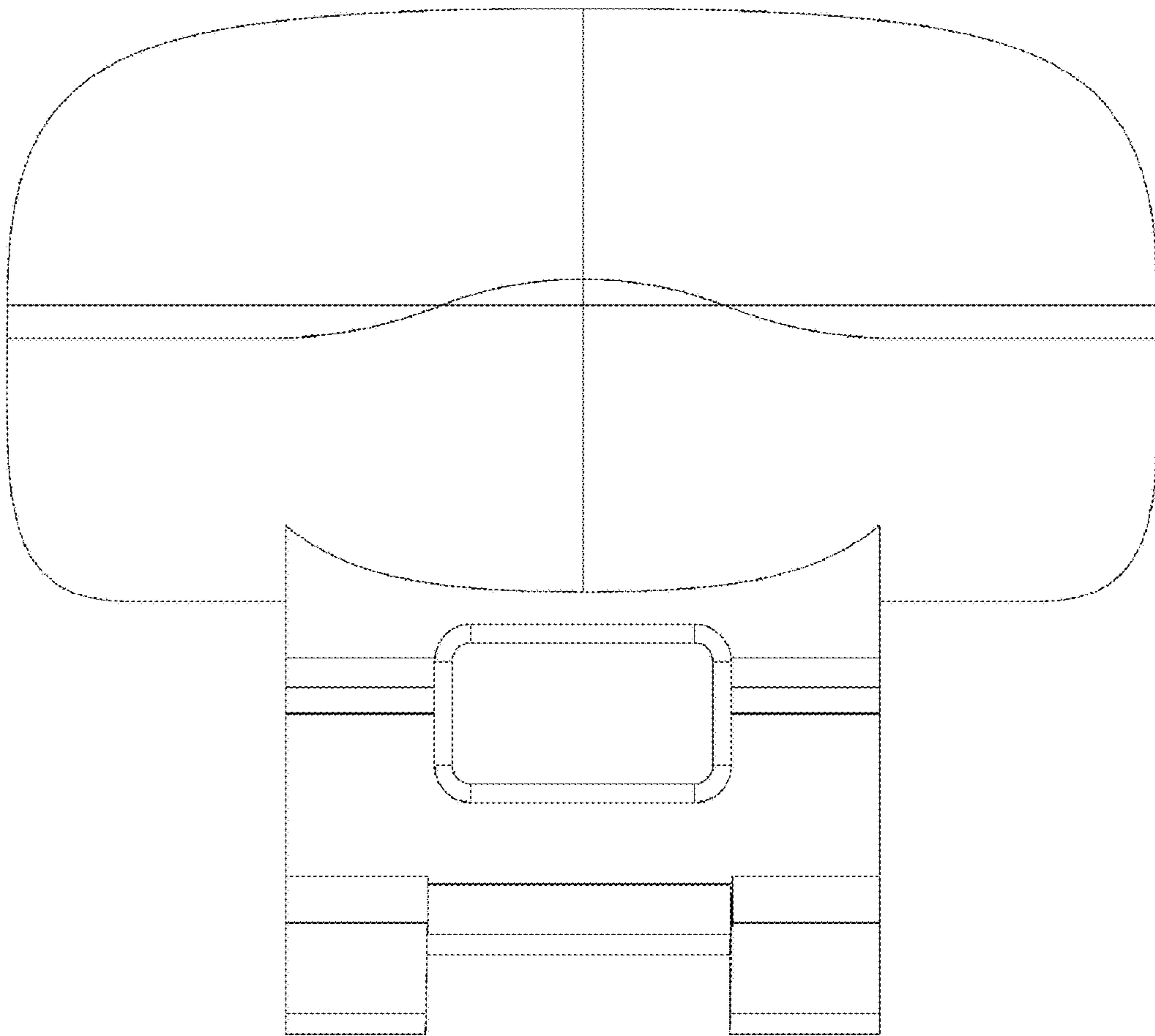


FIG. 2

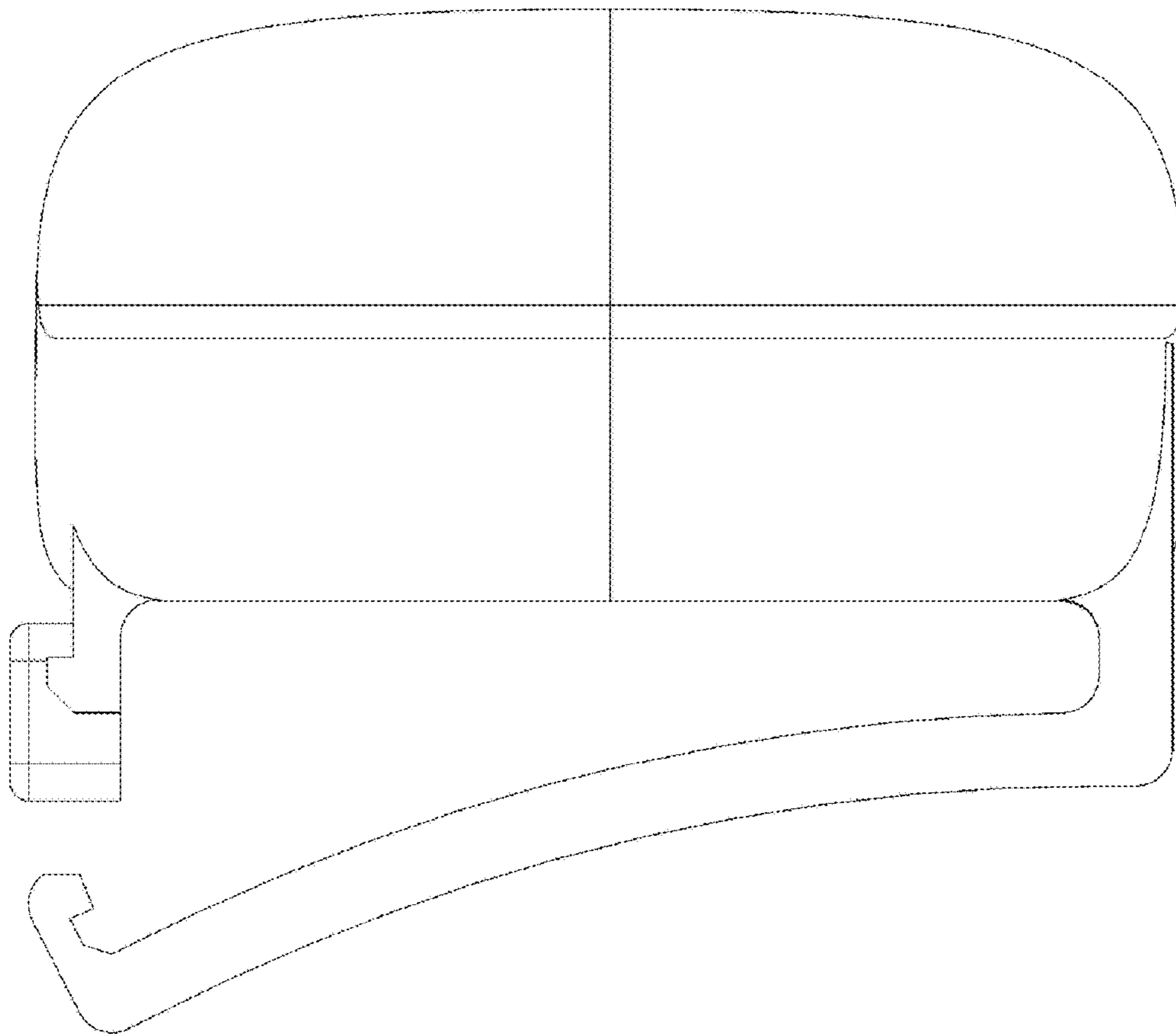


FIG. 3

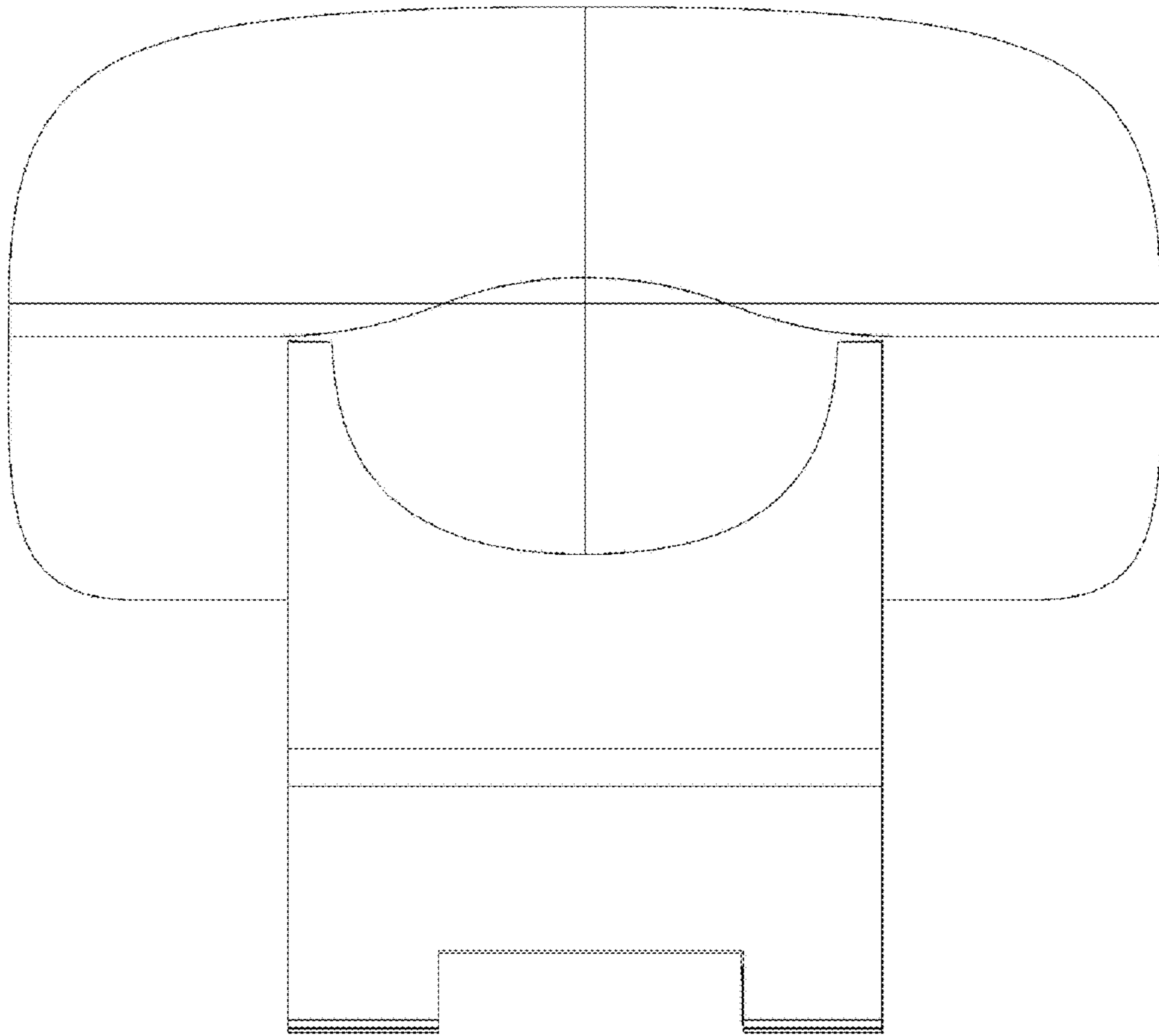


FIG. 4