



US00D830316S

(12) **United States Design Patent** (10) **Patent No.:** **US D830,316 S**  
**Min et al.** (45) **Date of Patent:** **\*\* Oct. 9, 2018**

(54) **SOCKET MODULE FOR AN ELECTRONIC RELAY**

(71) Applicant: **Phoenix Contact GmbH & Co. KG**,  
Blomberg (DE)

(72) Inventors: **Che Min**, Nanjing (CN); **Sun Degan**,  
Nanjing (CN); **Kay Lockstedt**, Hameln  
(DE); **Markus Becker**, Paderborn (DE)

(73) Assignee: **Phoenix Contact GmbH & Co. KG**,  
Blomberg (DE)

(\*\*) Term: **15 Years**

(21) Appl. No.: **29/540,939**

(22) Filed: **Sep. 29, 2015**

**Related U.S. Application Data**

(62) Division of application No. 29/479,572, filed on Jan.  
17, 2014, now Pat. No. Des. 741,814, which is a  
division of application No. 29/444,541, filed on Jan.  
31, 2013, now Pat. No. Des. 700,898.

(30) **Foreign Application Priority Data**

Jul. 31, 2012 (EM) ..... 002081927

(51) **LOC (11) Cl.** ..... **13-03**

(52) **U.S. Cl.**  
USPC ..... **D13/159**

(58) **Field of Classification Search**  
USPC ..... D13/101, 103, 110, 119, 123, 146, 147,  
D13/151, 158-164, 171, 173, 174, 177,  
D13/178, 184, 199; D14/240, 433, 434;  
200/237, 293, 294, 297, 302.3, 401;  
361/160, 166, 601, 622, 627, 628, 686;  
439/271, 535, 639, 652, 709, 715-718,  
439/736  
CPC ..... F24D 19/1096; G05B 19/042; G05B  
19/0426; G05B 2219/23043; G05B  
2219/23051; G05B 2219/23297; G05B

2219/23406; G05B 2219/25085; G05B  
2219/2625; H01H 35/027; H01H 19/64;  
H01H 1/365; H01H 2071/0292; H01H  
21/54; H01H 71/0271; H05B 1/0277;  
H05B 2203/032; H01R 4/36; H01R  
4/4827; H01R 9/2491; H01R 9/26; H01R  
9/2658; H01R 13/447; H01R 13/50;  
H01R 13/501; H01R 29/00; H01R 31/08;  
H01R 4/2433

See application file for complete search history.

(56) **References Cited**

U.S. PATENT DOCUMENTS

D471,158 S 3/2003 Mori et al.  
D472,878 S \* 4/2003 Kitamura ..... D13/147  
7,553,199 B2 6/2009 Correll  
D634,713 S 3/2011 Giordanino et al.  
D638,371 S 5/2011 Giordanino et al.

(Continued)

*Primary Examiner* — Thomas J Johannes

*Assistant Examiner* — Shawn T Gingrich

(74) *Attorney, Agent, or Firm* — David S. Safran

(57) **CLAIM**

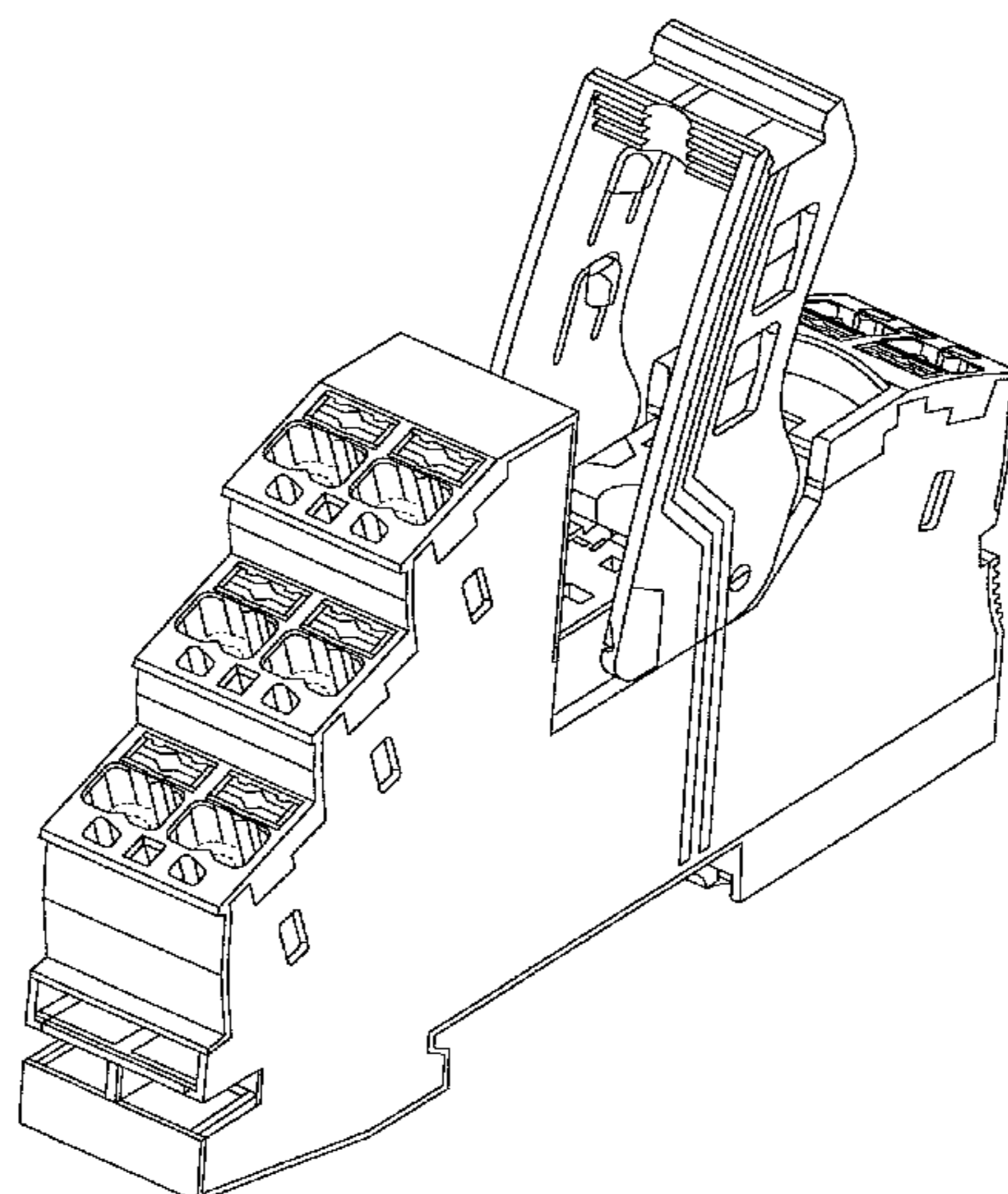
The ornamental design for a socket module for an electronic  
relay, as shown and described.

**DESCRIPTION**

FIG. 1 is a right front perspective view of a socket module  
for an electronic relay showing our new design;  
FIG. 2 is a front elevation view thereof;  
FIG. 3 is a rear elevation view thereof;  
FIG. 4 is a right side elevation view thereof;  
FIG. 5 is a left side elevation view thereof; and,  
FIG. 6 is a top plan view thereof.

The broken line portion of the figure drawings is included to  
show portions of the article that form no part of the claimed  
design.

**1 Claim, 6 Drawing Sheets**



(56)

**References Cited**

U.S. PATENT DOCUMENTS

8,062,076 B2 \* 11/2011 Henke ..... H01R 9/2633  
439/532  
D671,897 S 12/2012 Ketter et al.  
8,647,157 B2 \* 2/2014 Gan ..... H01H 50/048  
439/507  
D701,176 S \* 3/2014 Min ..... D13/159  
D740,231 S \* 10/2015 Min ..... D13/154  
D741,814 S \* 10/2015 Min ..... D13/159  
D742,331 S \* 11/2015 Min ..... D13/159  
D792,351 S \* 7/2017 Masaki ..... D13/159  
D800,074 S \* 10/2017 Masaki ..... D13/159  
2002/0132504 A1 9/2002 Mori et al.  
2009/0035997 A1 \* 2/2009 Correll ..... H01R 9/2675  
439/709  
2014/0242836 A1 \* 8/2014 Brand ..... H01R 9/2458  
439/569

\* cited by examiner

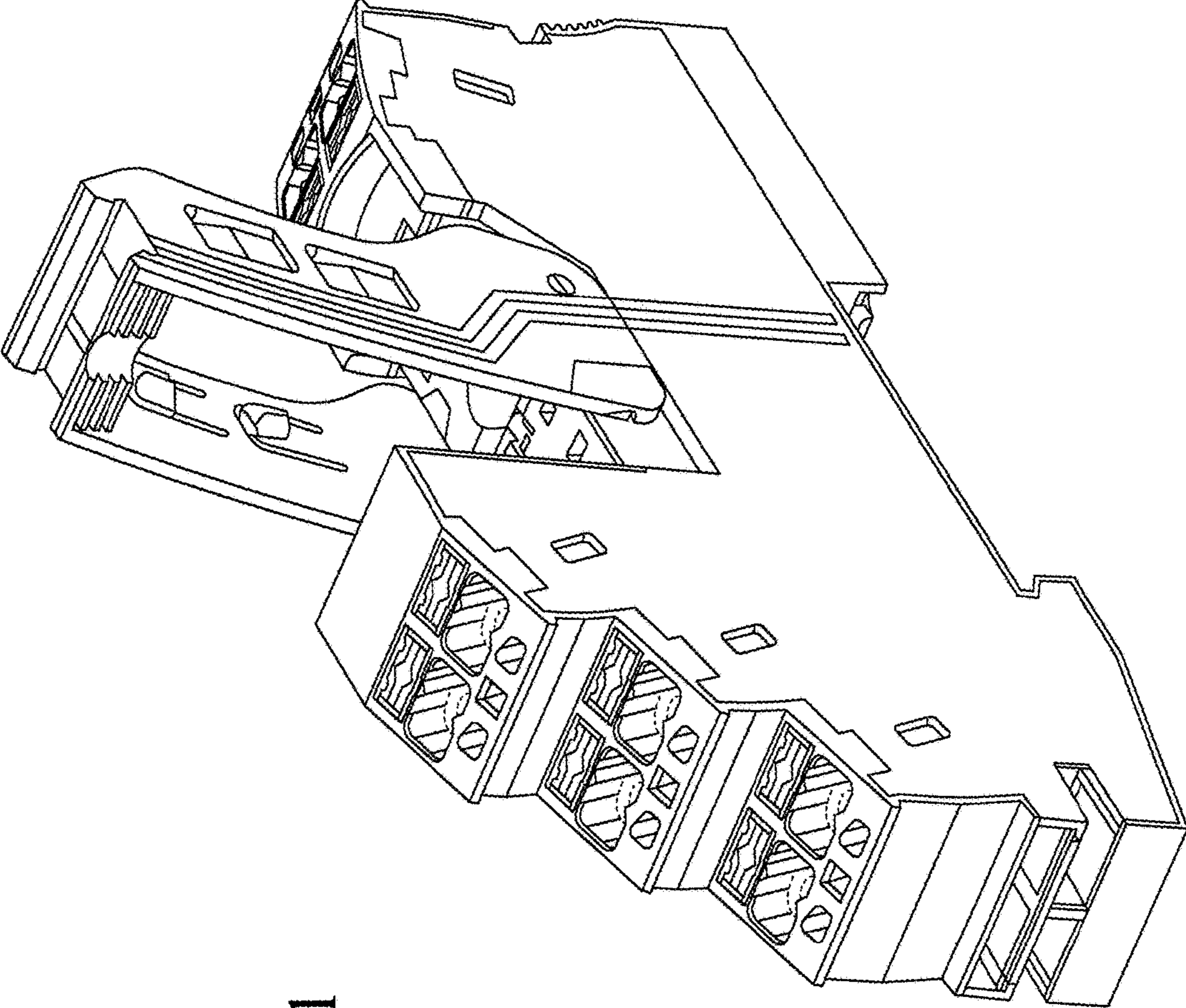


FIG. 1

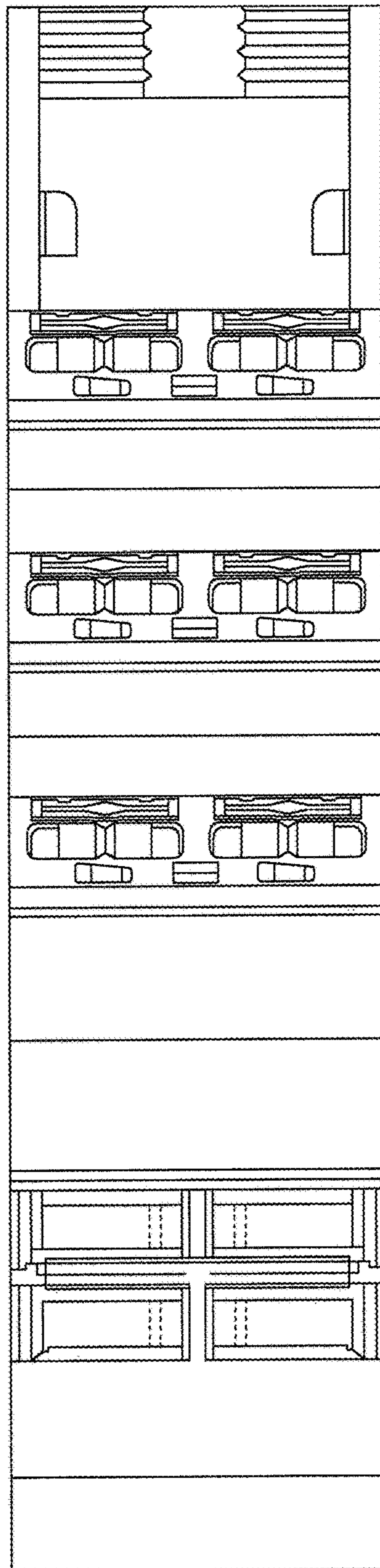


FIG. 2



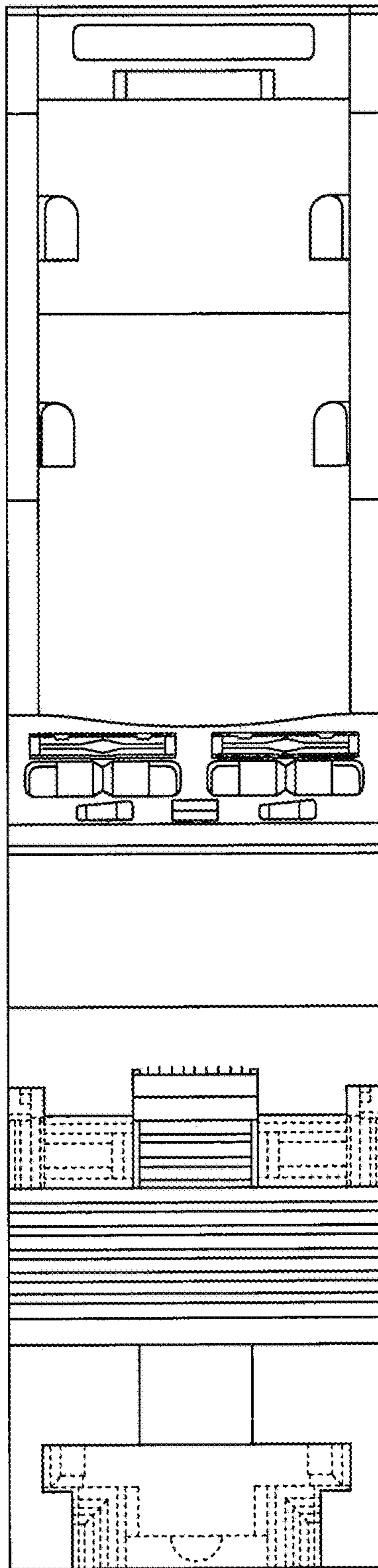


FIG. 3

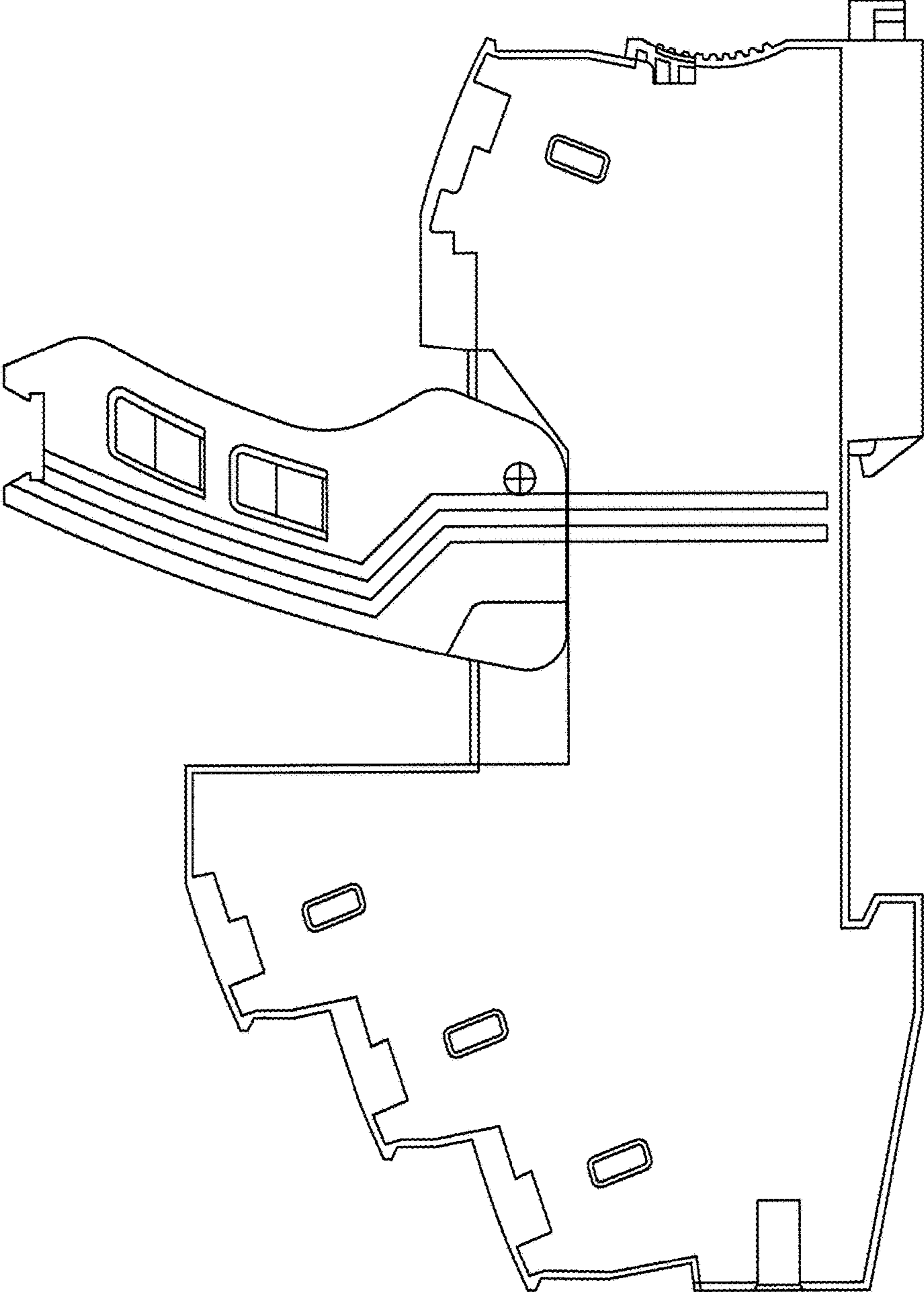


FIG. 4

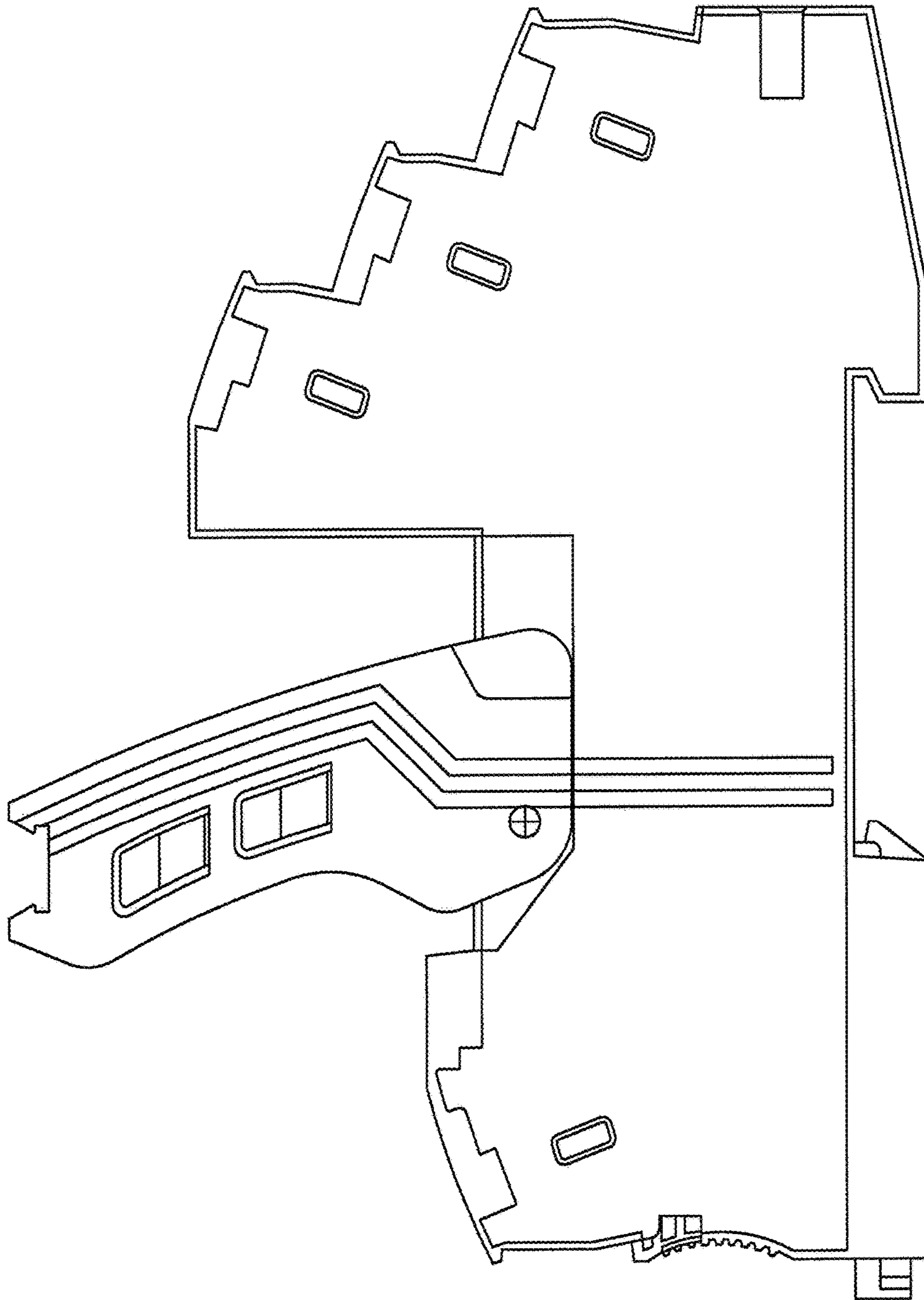


FIG. 5

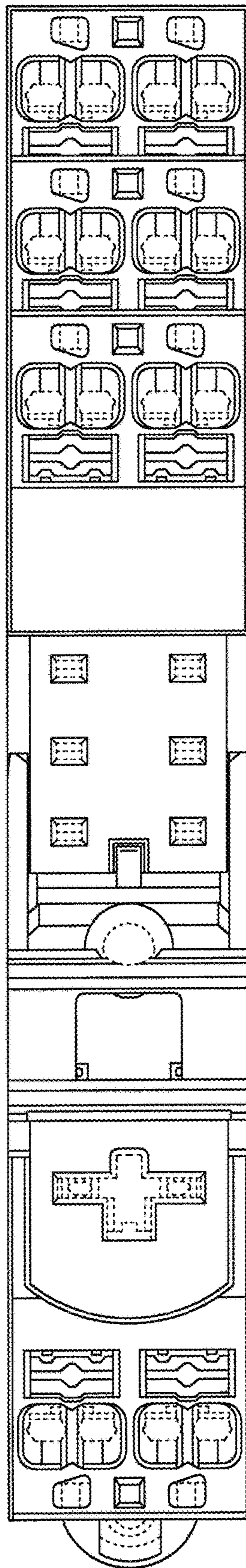


FIG. 6