



US00D830315S

(12) **United States Design Patent** (10) **Patent No.:** **US D830,315 S**
Otsuka et al. (45) **Date of Patent:** **** Oct. 9, 2018**

(54) **PUSH SWITCH**

(71) Applicant: **OMRON Corporation**, Kyoto-shi, Kyoto (JP)

(72) Inventors: **Hiroyuki Otsuka**, Okayama (JP); **Kazuaki Morita**, Izumo (JP); **Shinya Katsube**, Okayama (JP)

(73) Assignee: **OMRON Corporation**, Kyoto-shi (JP)

(**) Term: **15 Years**

(21) Appl. No.: **29/630,121**

(22) Filed: **Dec. 19, 2017**

Related U.S. Application Data

(62) Division of application No. 29/586,551, filed on Dec. 5, 2016, now Pat. No. Des. 817,896.

(30) **Foreign Application Priority Data**

Jun. 14, 2016 (JP) 2016-012728
Jun. 14, 2016 (JP) 2016-012729

(51) **LOC (11) Cl.** **13-03**

(52) **U.S. Cl.**
USPC **D13/158**

(58) **Field of Classification Search**
USPC D13/158, 162, 171, 173, 184
CPC H01H 1/20; H01H 3/3042; H01H 13/04;
H01H 13/14
See application file for complete search history.

(56) **References Cited**

U.S. PATENT DOCUMENTS

D387,453 S 12/1997 Protzek
D493,907 S 8/2004 Benensohn

D650,760 S 12/2011 Hussell et al.
D658,603 S 5/2012 Egawa et al.
D689,451 S 9/2013 Shimonishi et al.
D724,462 S 3/2015 Bould et al.
D817,896 S * 5/2018 Otsuka D13/158
2011/0315533 A1 12/2011 Chu
2012/0048707 A1 3/2012 Nakamura et al.
2013/0126322 A1 5/2013 Heiskanen
2014/0097073 A1 4/2014 Kikuchi
2016/0064158 A1 3/2016 Nakase et al.
2016/0064163 A1 3/2016 Chu
2016/0111231 A1 4/2016 Choi et al.
2017/0133168 A1* 5/2017 Katsube H01H 1/221

* cited by examiner

Primary Examiner — Selina Sikder

(74) *Attorney, Agent, or Firm* — Sterne, Kessler, Goldstein & Fox P.L.L.C.

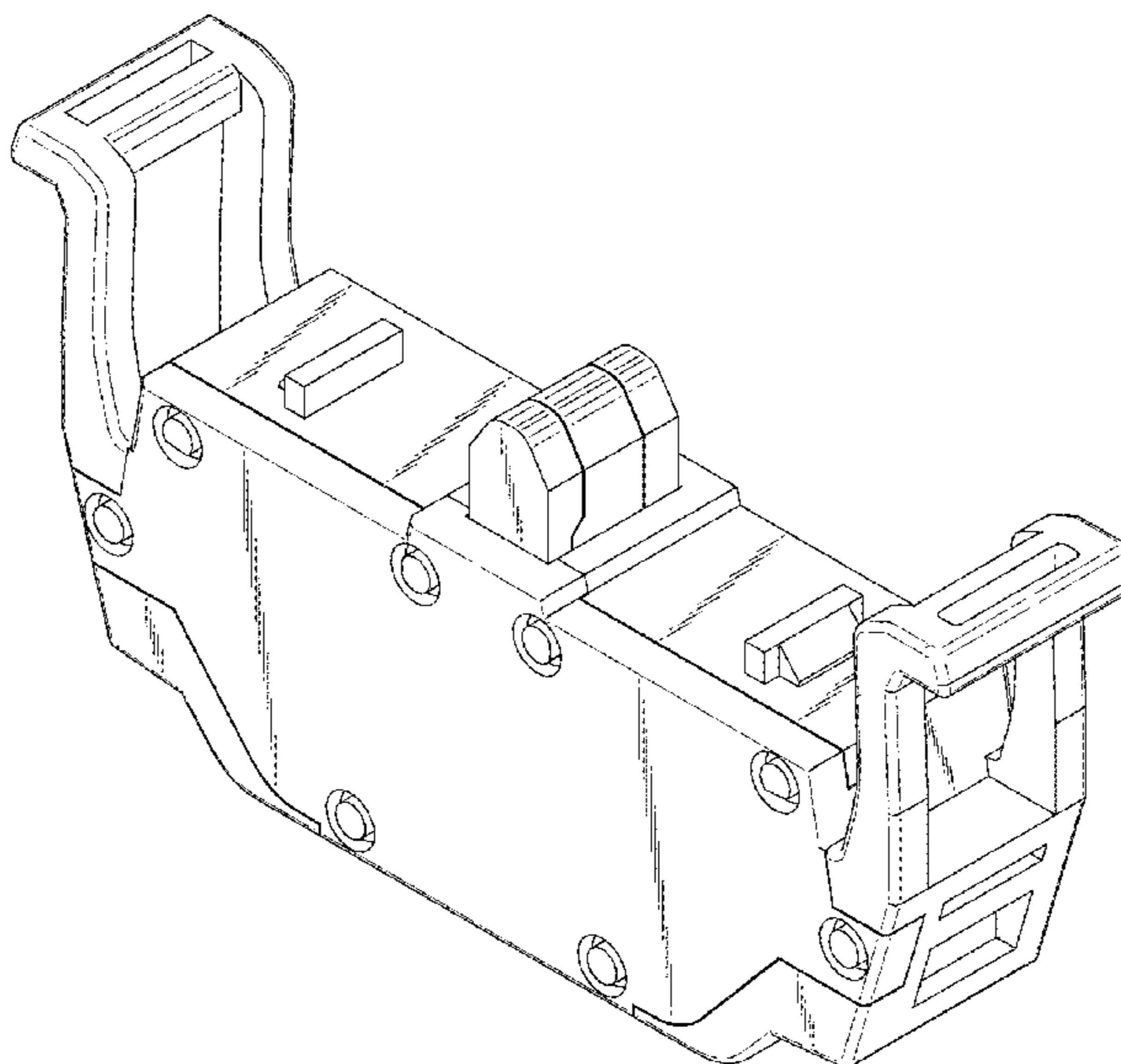
(57) **CLAIM**

The ornamental design for a push switch, as shown and described.

DESCRIPTION

FIG. 1 is a perspective view of a push switch showing the claimed design;
FIG. 2 is a front view thereof;
FIG. 3 is a rear view thereof;
FIG. 4 is a left side view thereof;
FIG. 5 is a right side view thereof;
FIG. 6 is a top view thereof; and,
FIG. 7 is a bottom view thereof.
The broken lines in the figures show portions of the push switch that form no part of the claimed design.

1 Claim, 5 Drawing Sheets



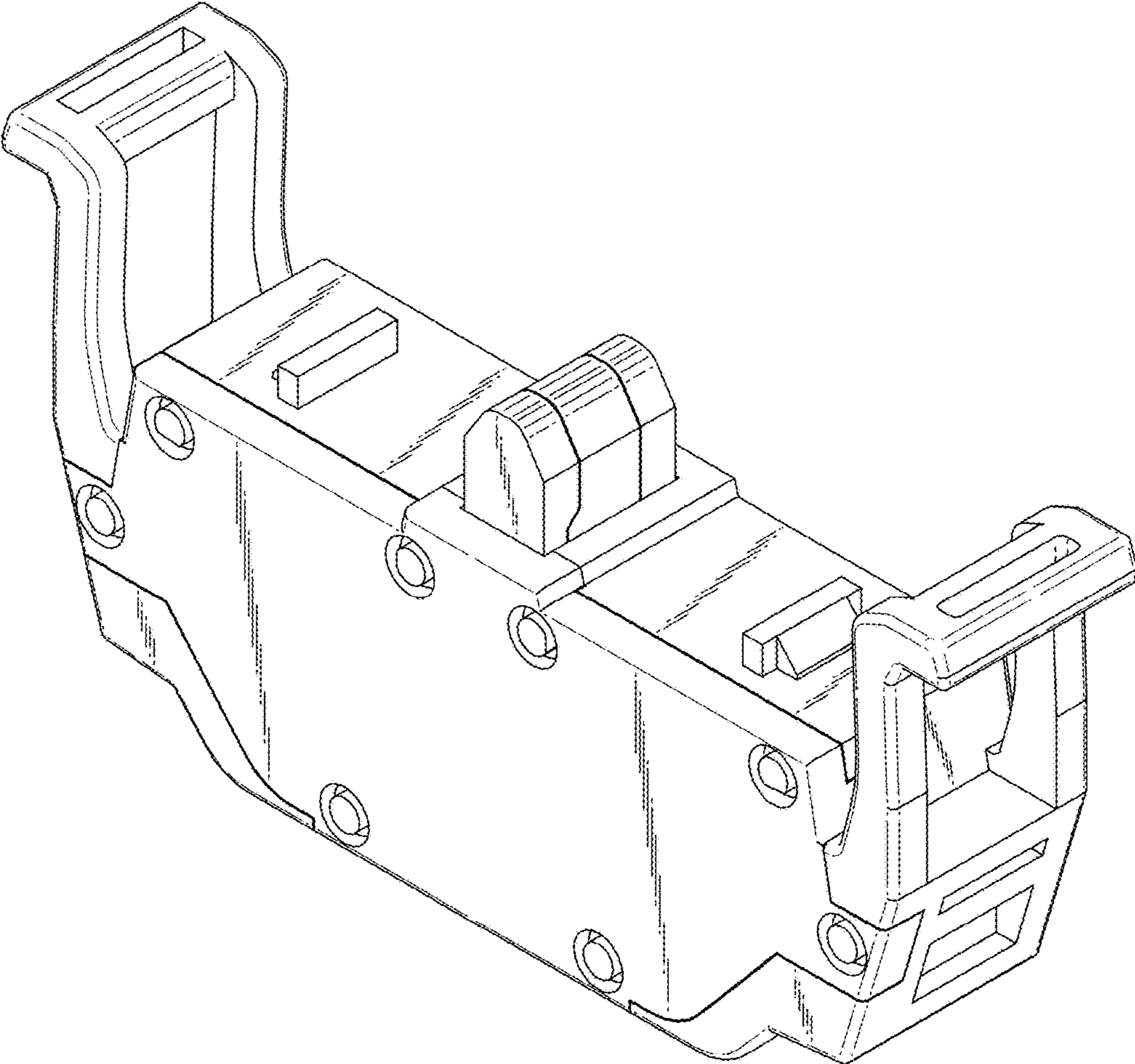


FIG. 1

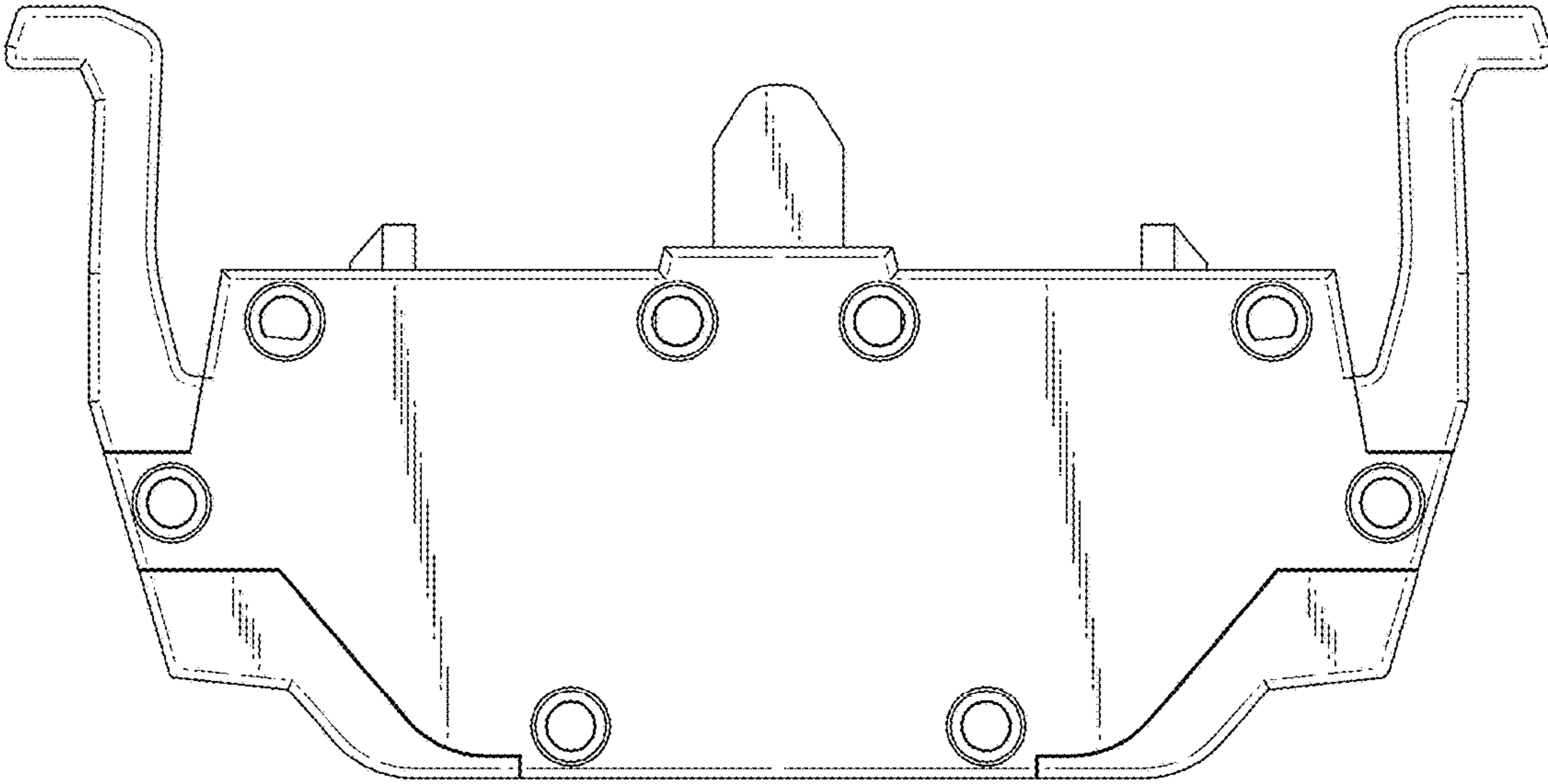


FIG. 2

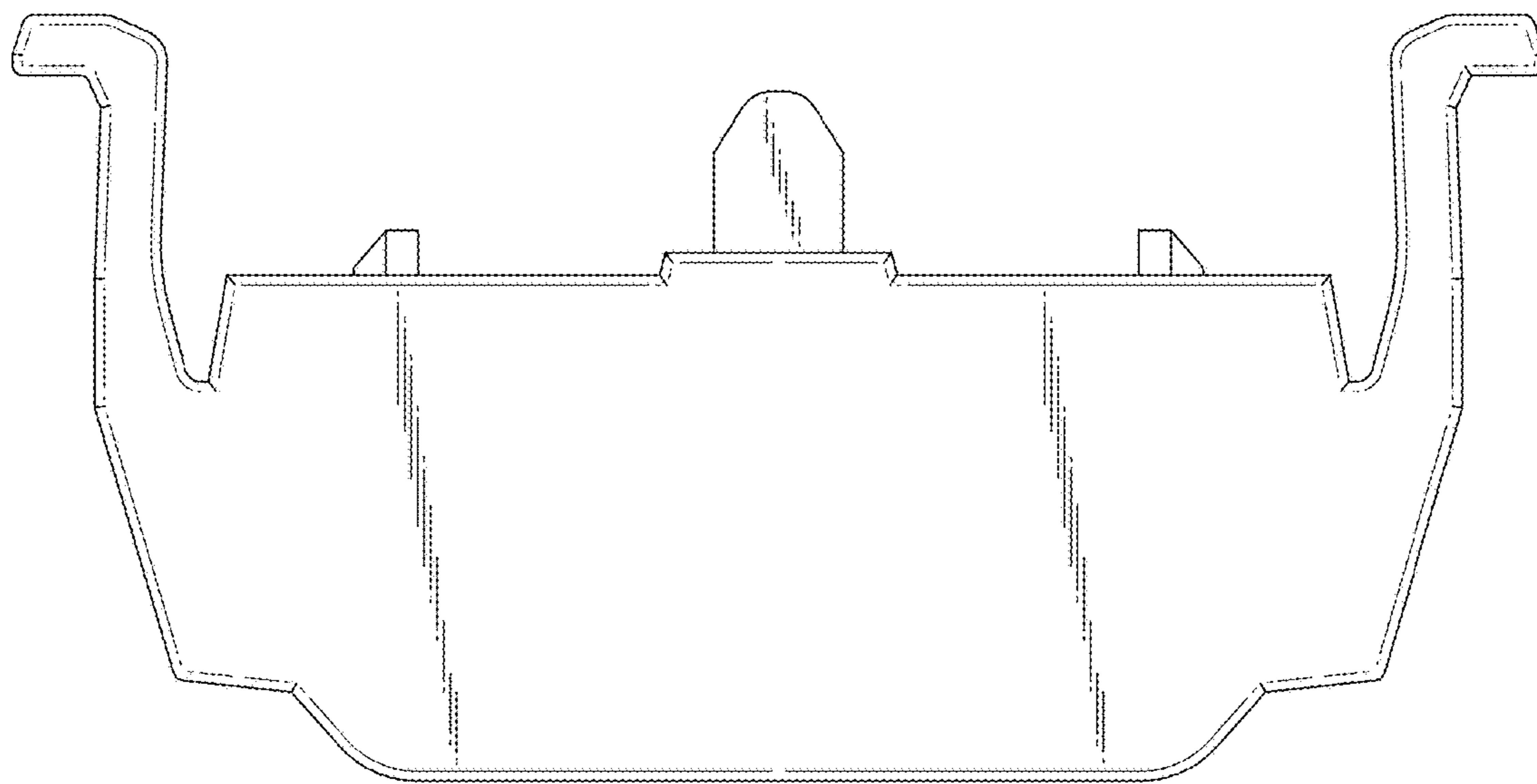


FIG. 3

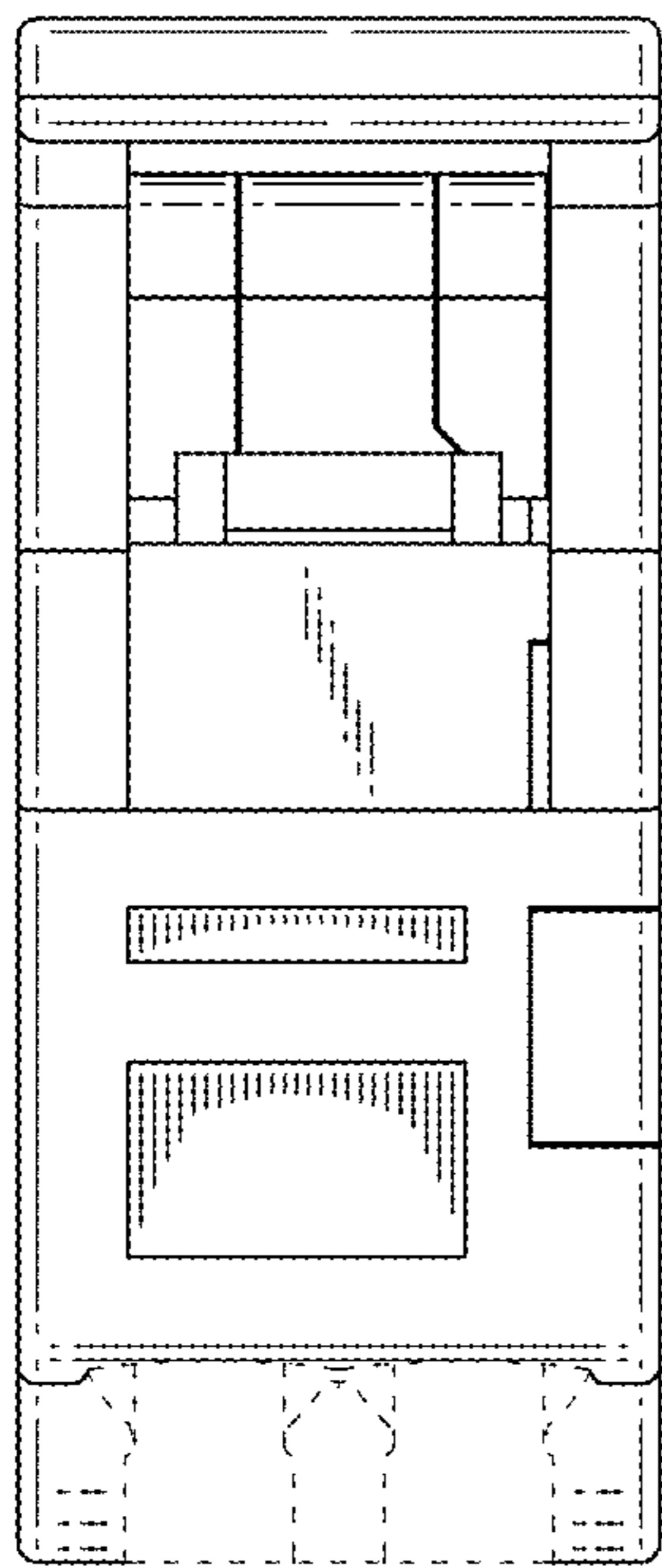


FIG. 4

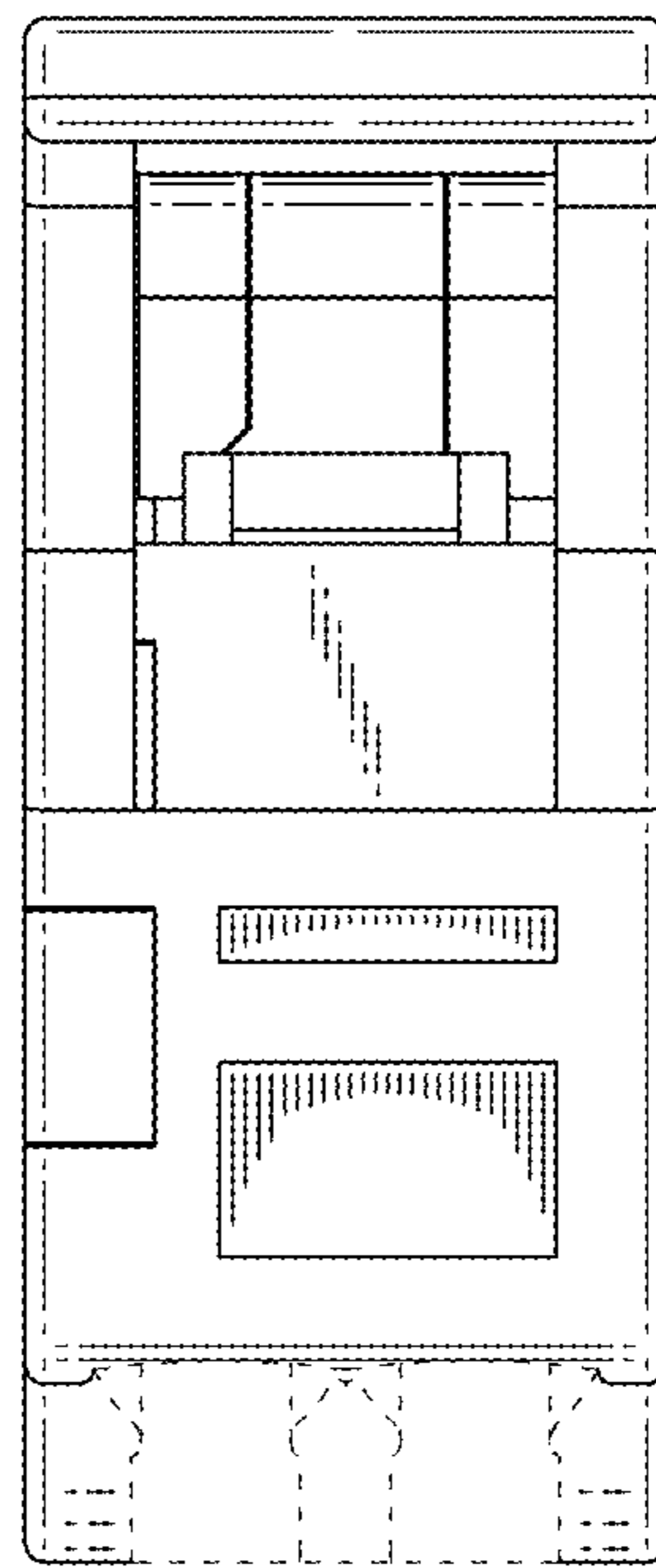


FIG. 5

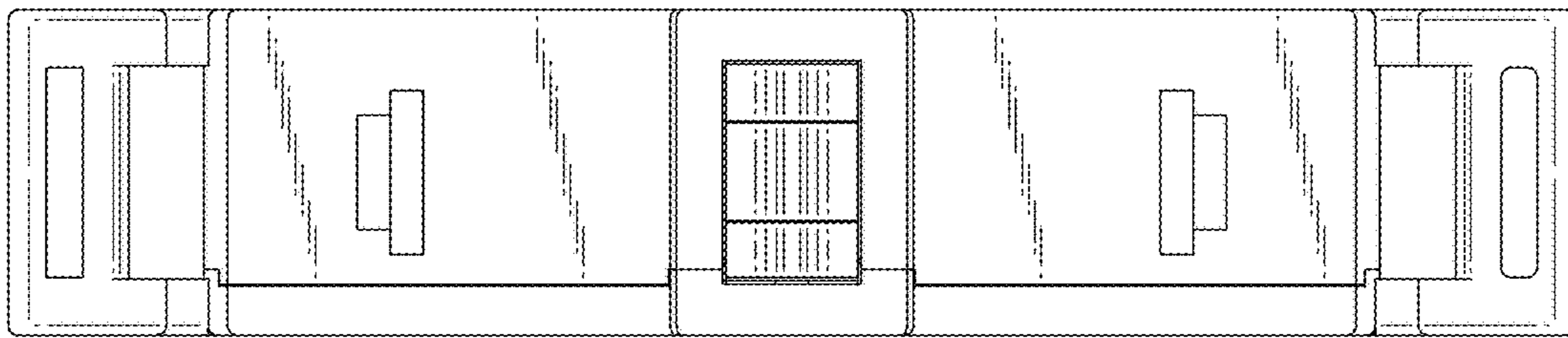


FIG. 6

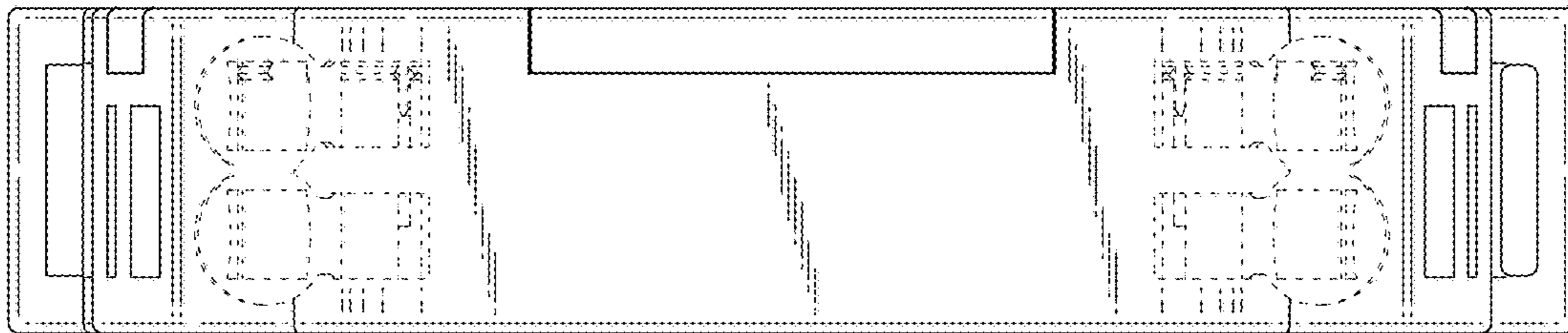


FIG. 7