

US00D830314S

(12) **United States Design Patent**
Huang et al.

(10) **Patent No.:** **US D830,314 S**
(45) **Date of Patent:** **** Oct. 9, 2018**

- (54) **SWITCH**
- (71) Applicant: **MAYAPPLE BABY LLC**, Brooklyn, NY (US)
- (72) Inventors: **Jianying Huang**, Brooklyn, NY (US);
Chris Hazzard, Brooklyn, NY (US);
Mingbo Zhang, Brooklyn, NY (US)
- (73) Assignee: **Mayapple Baby LLC**, Brooklyn, NY (US)
- (**) Term: **15 Years**
- (21) Appl. No.: **29/607,814**
- (22) Filed: **Jun. 16, 2017**
- (51) **LOC (11) Cl.** **13-03**
- (52) **U.S. Cl.**
USPC **D13/158; D13/170**
- (58) **Field of Classification Search**
USPC D13/158, 169, 170, 171, 173, 174;
D8/331
CPC H01H 9/00; H01H 9/0027; H01H 9/02;
H01H 9/16; H01H 89/00; H01H 15/00;
H01H 15/02; H01H 15/04; H01H 15/10;
H01H 15/14; H01H 23/08
See application file for complete search history.

- D495,666 S * 9/2004 Wong D13/170
- 6,841,749 B1 * 1/2005 Radosavljevic H01H 15/06
200/550
- D557,667 S * 12/2007 Kawamura D13/170
- D558,690 S * 1/2008 Anderson, Jr. D13/169
- D563,900 S * 3/2008 Tang D13/158
- D678,221 S * 3/2013 Lukito D13/158
- D691,964 S * 10/2013 Cucho D13/158
- D731,441 S * 6/2015 Cloran D13/158
- D798,688 S * 10/2017 Yong D8/331
- 2007/0249198 A1 * 10/2007 Nakase H01H 13/52
439/157
- 2013/0313090 A1 * 11/2013 Wu G06F 1/1616
200/320
- 2014/0008192 A1 * 1/2014 Christophy H01H 9/04
200/302.1
- 2014/0190805 A1 * 7/2014 Chou H01H 15/10
200/335

* cited by examiner

Primary Examiner — Selina Sikder

(74) *Attorney, Agent, or Firm* — Winston & Strawn LLP

(57) **CLAIM**

The ornamental design for a switch, as shown and described.

DESCRIPTION

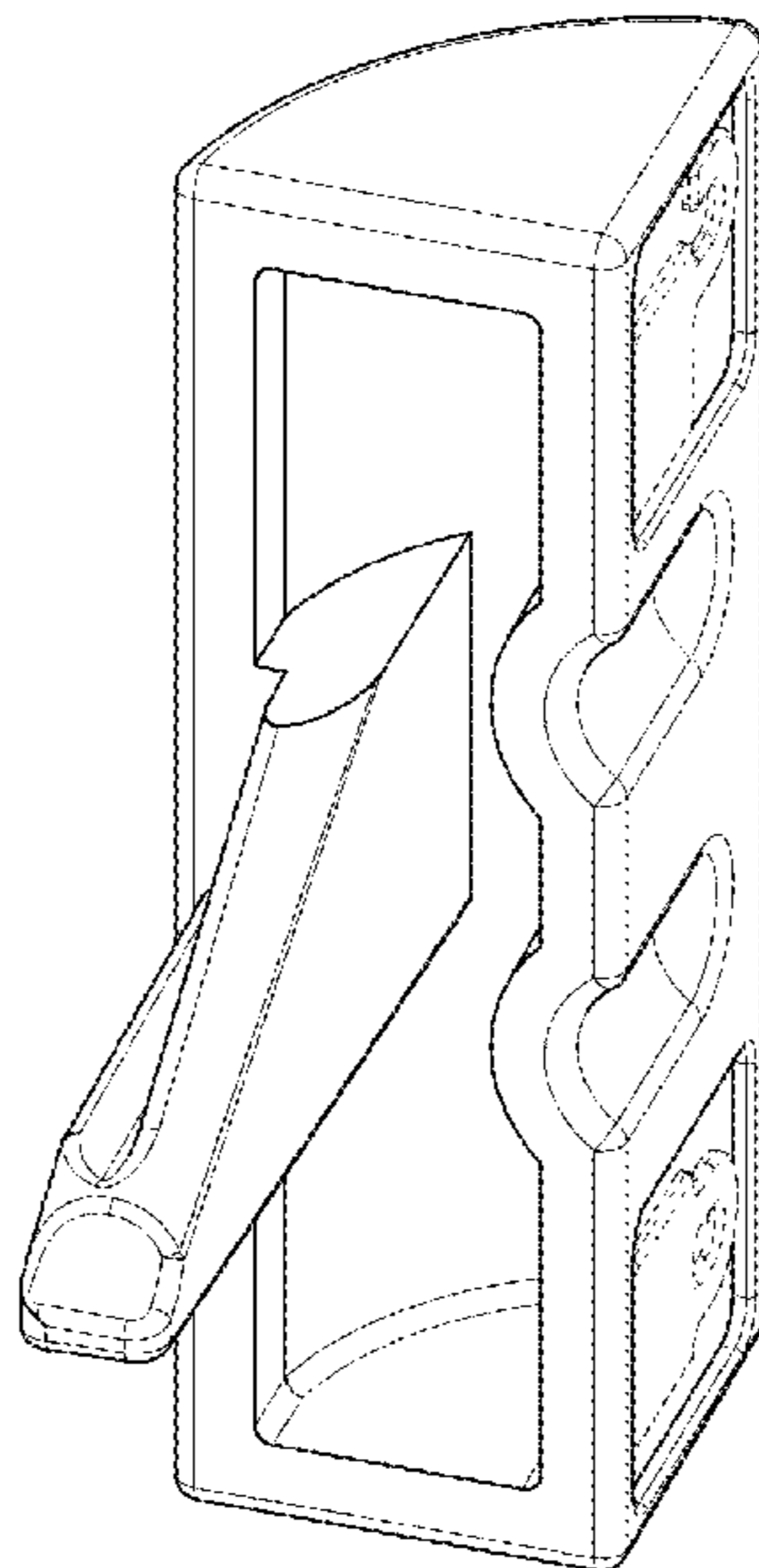
FIG. 1 is a perspective view of an embodiment of a switch according to our new design;
 FIG. 2 is a rear view of the switch of FIG. 1;
 FIG. 3 is a front view of switch of FIG. 1;
 FIG. 4 is a top view of the switch of FIG. 1;
 FIG. 5 is a bottom view of the switch of FIG. 1;
 FIG. 6 is a side view of the switch of FIG. 1; and,
 FIG. 7 is an opposite side view of the switch of FIG. 1.
 In these designs, any elements shown in broken lines form no part of the illustrated designs.

1 Claim, 7 Drawing Sheets

(56) **References Cited**

U.S. PATENT DOCUMENTS

- D286,769 S * 11/1986 Gepner D13/158
- D349,528 S * 8/1994 Ruskai D13/158
- D421,247 S * 2/2000 Hoshino D13/173
- 6,506,985 B2 * 1/2003 Konda H01H 9/085
200/16 E
- D484,101 S * 12/2003 Long D13/158



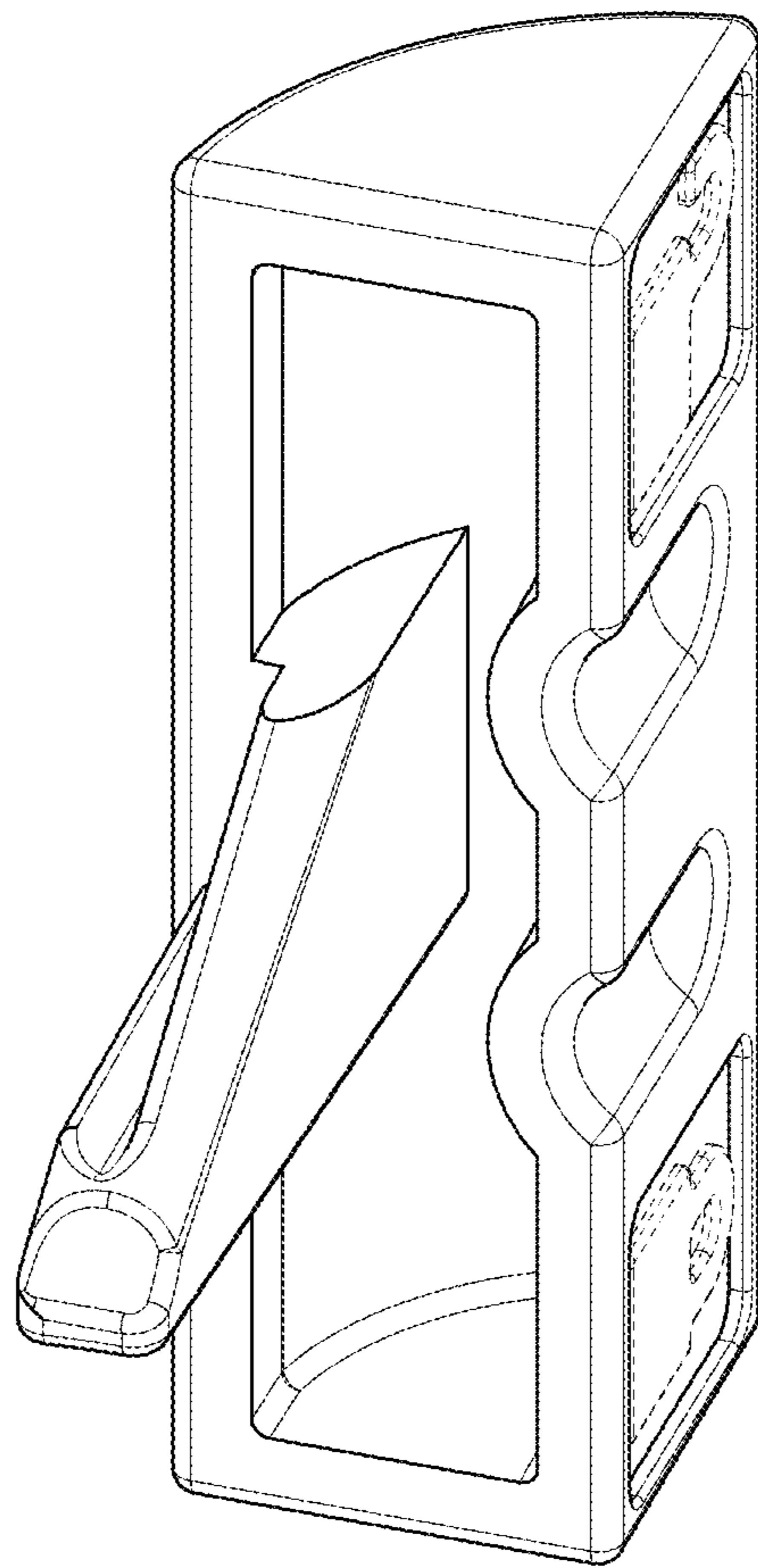


FIG. 1

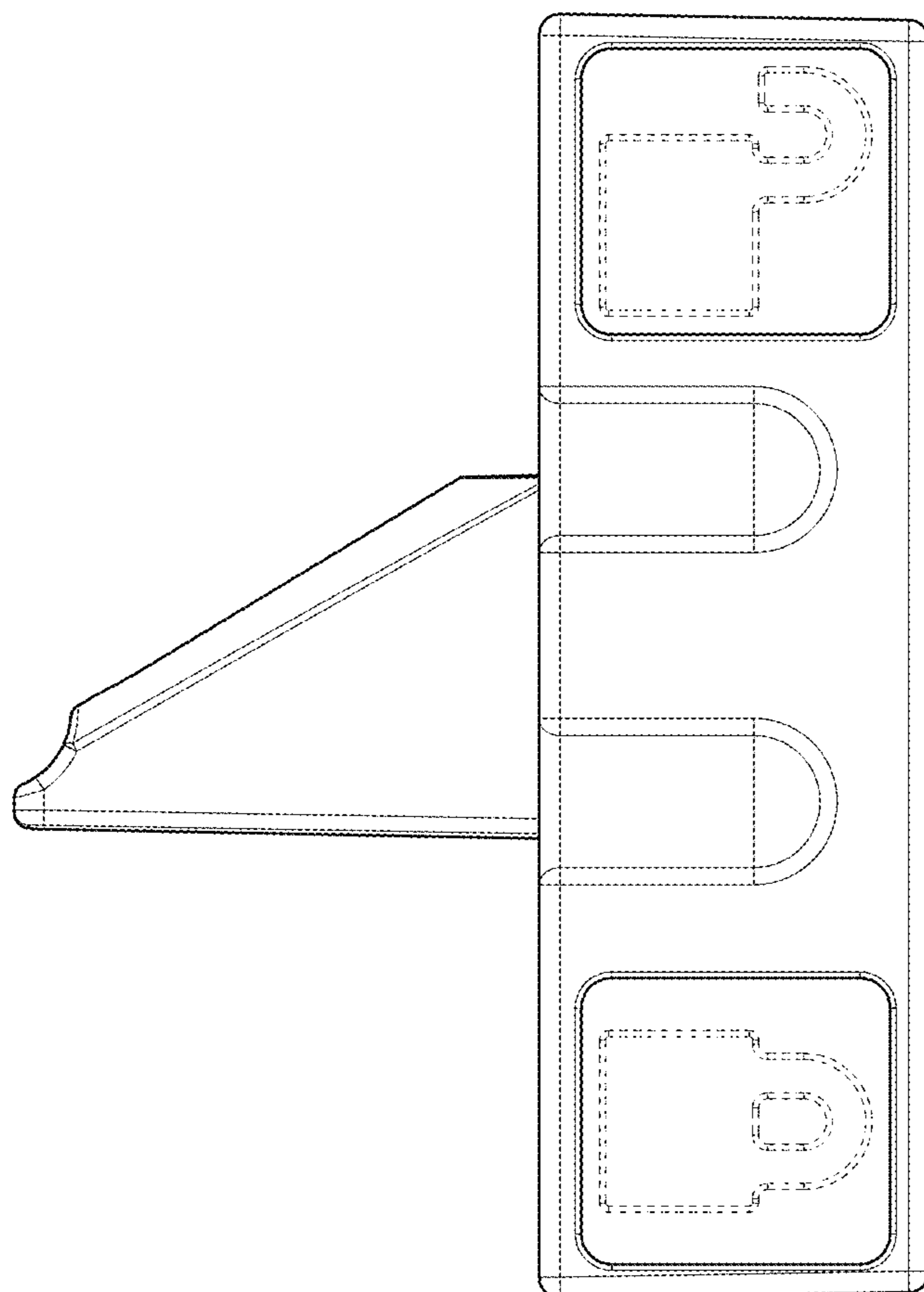


FIG. 2

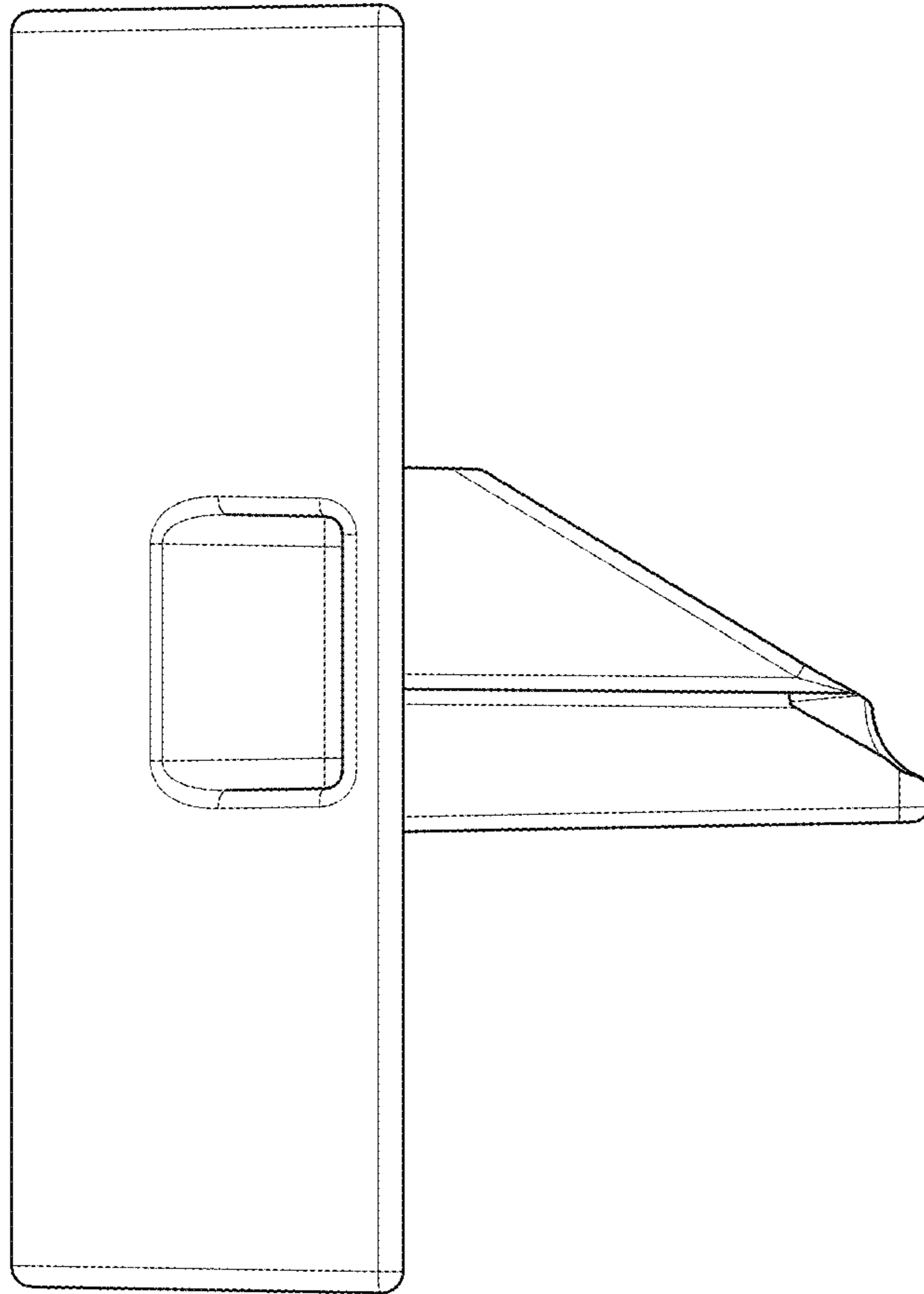


FIG. 3

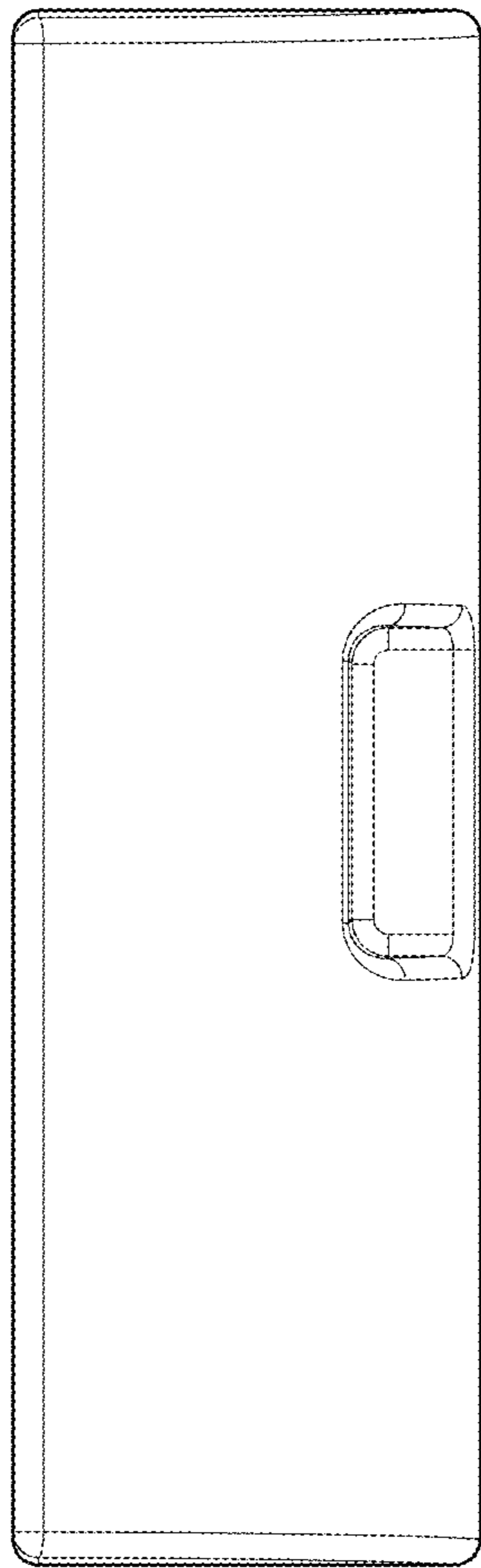


FIG. 4

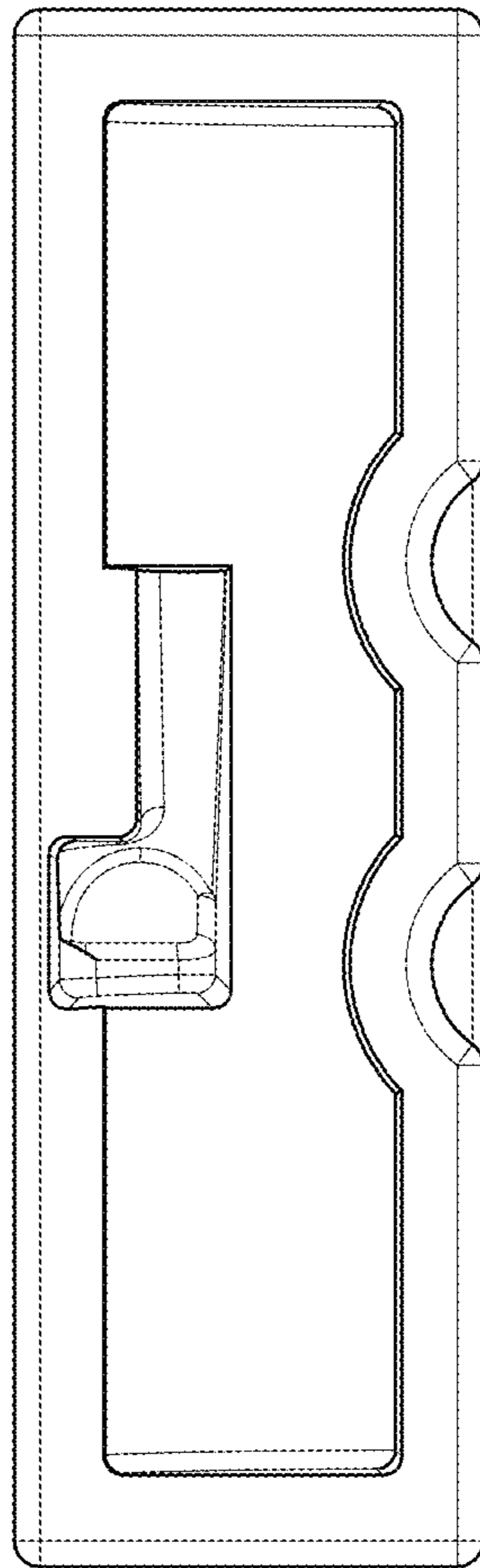


FIG. 5

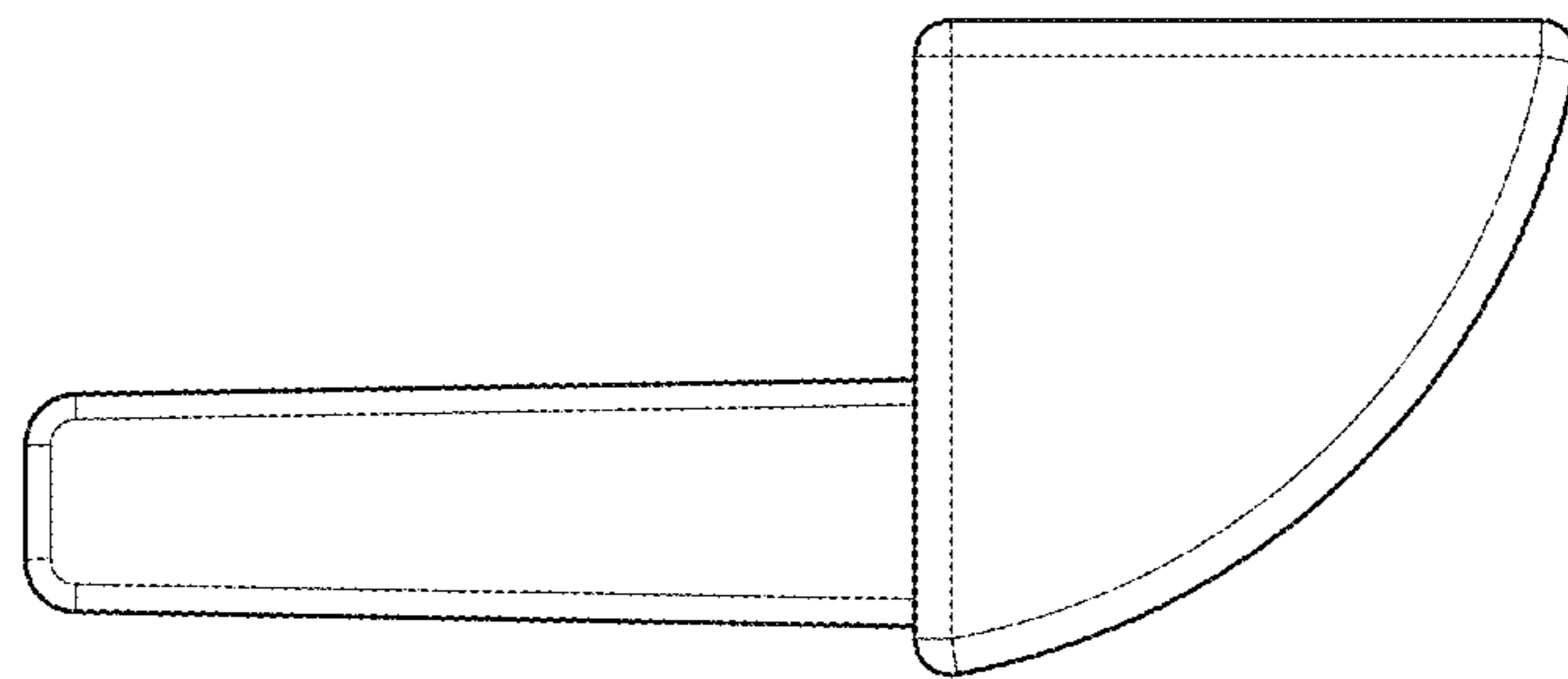


FIG. 6

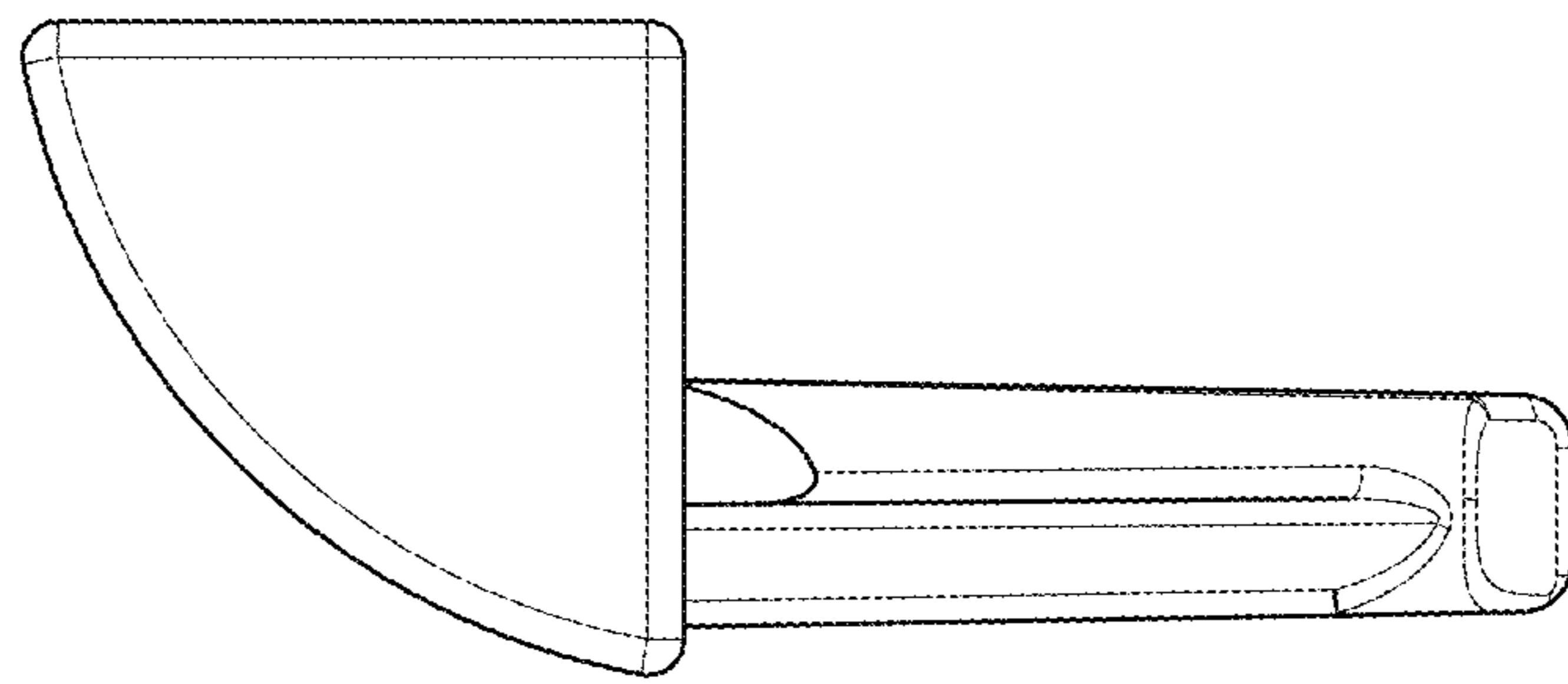


FIG. 7