



US00D830309S

(12) **United States Design Patent**
Holley et al.

(10) **Patent No.:** **US D830,309 S**

(45) **Date of Patent:** **** Oct. 9, 2018**

(54) **ATTACHMENT FOR AN ELECTRICAL CABLE**

(71) Applicant: **Axcel Electronics Thailand Co., Ltd.**,
Phetchaburi OT (TH)

(72) Inventors: **Shane Holley**, Windermere, FL (US);
Karl St. George, Phetchaburi (TH)

(73) Assignee: **Axcel Electronics Thailand Co. Ltd.**,
Phetchaburi (TH)

(**) Term: **15 Years**

(21) Appl. No.: **29/542,883**

(22) Filed: **Oct. 19, 2015**

(51) **LOC (11) Cl.** **13-03**

(52) **U.S. Cl.**
USPC **D13/153**

(58) **Field of Classification Search**
USPC D13/153, 133; D26/38, 26, 125;
D21/801, 710, 698, 712; D14/433, 232,
D14/480.2; D6/337, 515; D11/127, 81
CPC G02B 6/387; G02B 6/3897; H01R 4/70
See application file for complete search history.

(56) **References Cited**

U.S. PATENT DOCUMENTS

D424,064 S *	5/2000	Suh	D14/232
D425,367 S *	5/2000	Cragg	D7/332
D426,541 S *	6/2000	Morgan	D14/232
D466,237 S *	11/2002	Yu	D26/26
D484,082 S *	12/2003	Burden	D12/204
D495,069 S *	8/2004	Yu	D26/26
D496,802 S *	10/2004	Hightower	D6/337
D500,103 S *	12/2004	Lowinger	D21/698
D505,462 S *	5/2005	Horkan	D21/712
D505,463 S *	5/2005	Horkan	D21/712
D515,280 S *	2/2006	Luciano	D2/615
D523,858 S *	6/2006	Landau	D14/480.2
D550,077 S *	9/2007	Lagreca	D9/428

D550,393 S *	9/2007	VanderSchuit	D26/125
D550,396 S *	9/2007	VanderSchuit	D26/125
D561,852 S *	2/2008	Frey	D21/710
D562,177 S *	2/2008	Cohen	D11/81
D574,267 S *	8/2008	Cowen	D10/46.1
D580,817 S *	11/2008	Zarzaur	D11/157

(Continued)

Primary Examiner — Rhea Shields

(74) *Attorney, Agent, or Firm* — Christopher M. Ramsey;
GrayRobinson, P.A.

(57) **CLAIM**

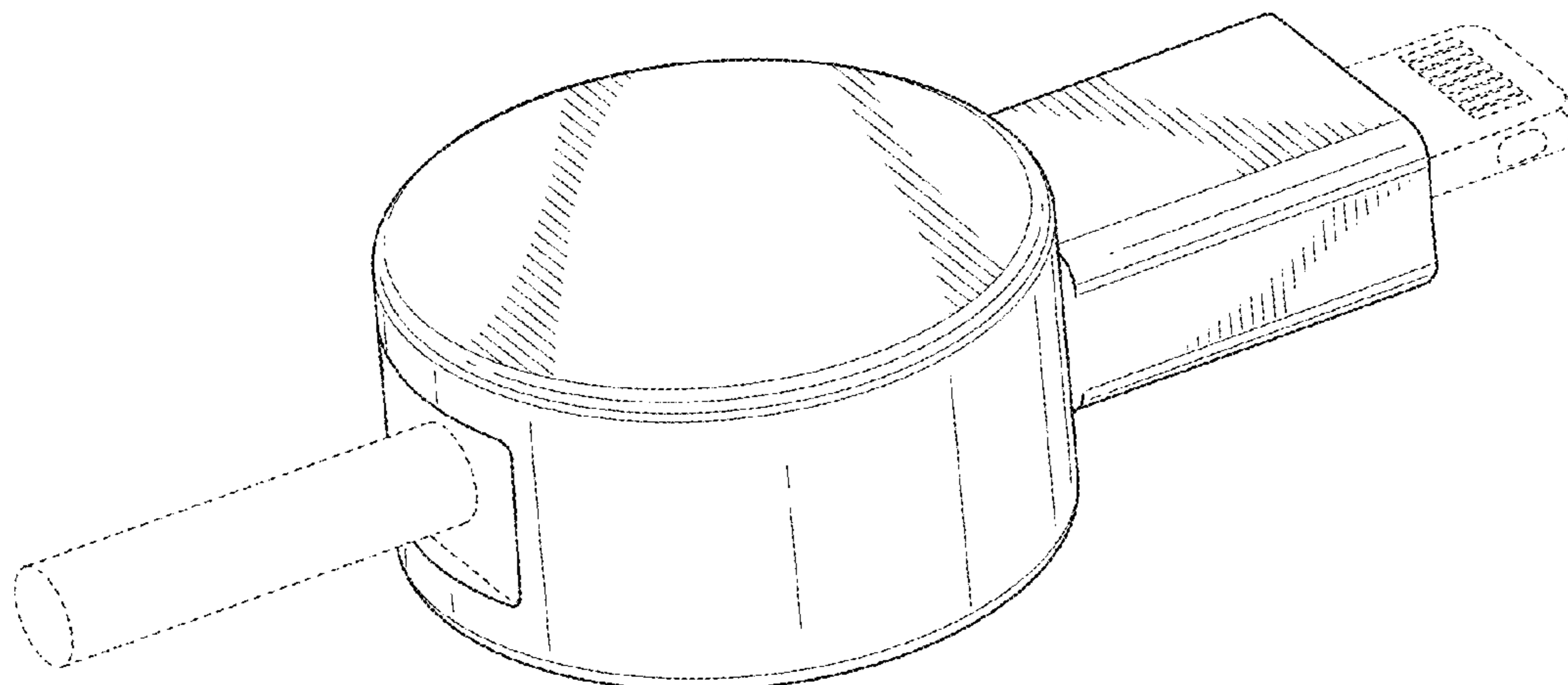
The ornamental design for an attachment for an electrical cable, as shown and described.

DESCRIPTION

FIG. 1 is a top rear perspective view of a first embodiment of an attachment for an electrical cable;
 FIG. 2 is a top front perspective view of the attachment in FIG. 1;
 FIG. 3 is a top view thereof;
 FIG. 4 is bottom view thereof;
 FIG. 5 is a front view thereof;
 FIG. 6 is a rear view thereof;
 FIG. 7 is a left side view thereof;
 FIG. 8 is a right side view thereof;
 FIG. 9 is a top rear perspective view of a second embodiment of an attachment for an electrical cable;
 FIG. 10 is a top front perspective view of the attachment in FIG. 9;
 FIG. 11 is a top view thereof;
 FIG. 12 is bottom view thereof;
 FIG. 13 is a front view thereof;
 FIG. 14 is a rear view thereof;
 FIG. 15 is a left side view thereof; and,
 FIG. 16 is a right side view thereof.

In the drawings, the broken lines are for the purpose of illustrating environment only and form no part of the claimed design.

1 Claim, 10 Drawing Sheets



(56)

References Cited

U.S. PATENT DOCUMENTS

D604,073	S	*	11/2009	Lochen	D6/515
D607,248	S	*	1/2010	Lochen	D6/515
D622,667	S	*	8/2010	Lin	D13/147
D640,808	S	*	6/2011	Weiser	D22/120
D640,809	S	*	6/2011	Weiser	D22/120
D684,122	S	*	6/2013	Strater	D13/153
D691,780	S	*	10/2013	Hodges	D2/719
D736,849	S	*	8/2015	Swift	D17/22
D747,722	S	*	1/2016	Webb	D14/433
D749,458	S	*	2/2016	Vaughan	D11/81
D750,184	S	*	2/2016	Gordon	D21/698
D781,976	S	*	3/2017	Rubey	D21/801
D795,194	S	*	8/2017	Knight	D13/133
D801,271	S	*	10/2017	Tanaka	D13/133
D802,188	S	*	11/2017	Chan	D26/38
D806,034	S	*	12/2017	Knight	D13/133
D806,041	S	*	12/2017	Holley	D13/153

* cited by examiner

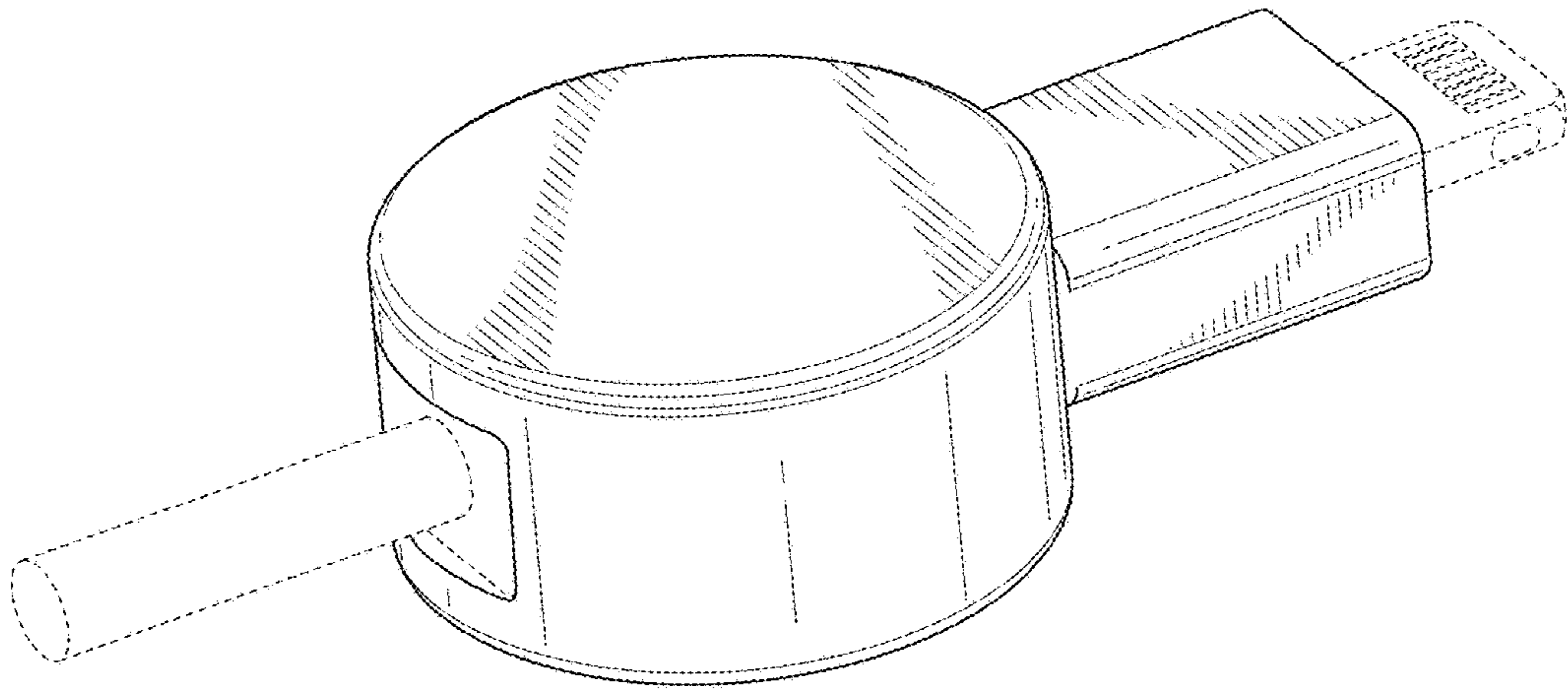


FIG. 1

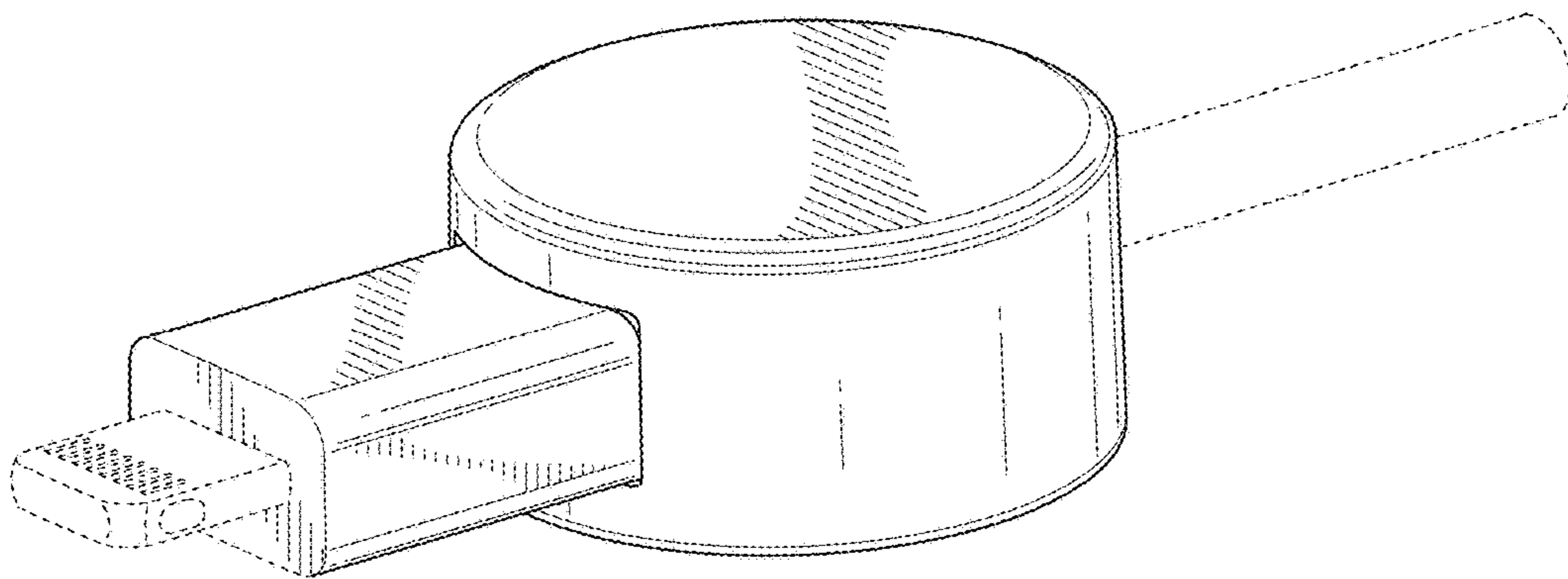


FIG. 2

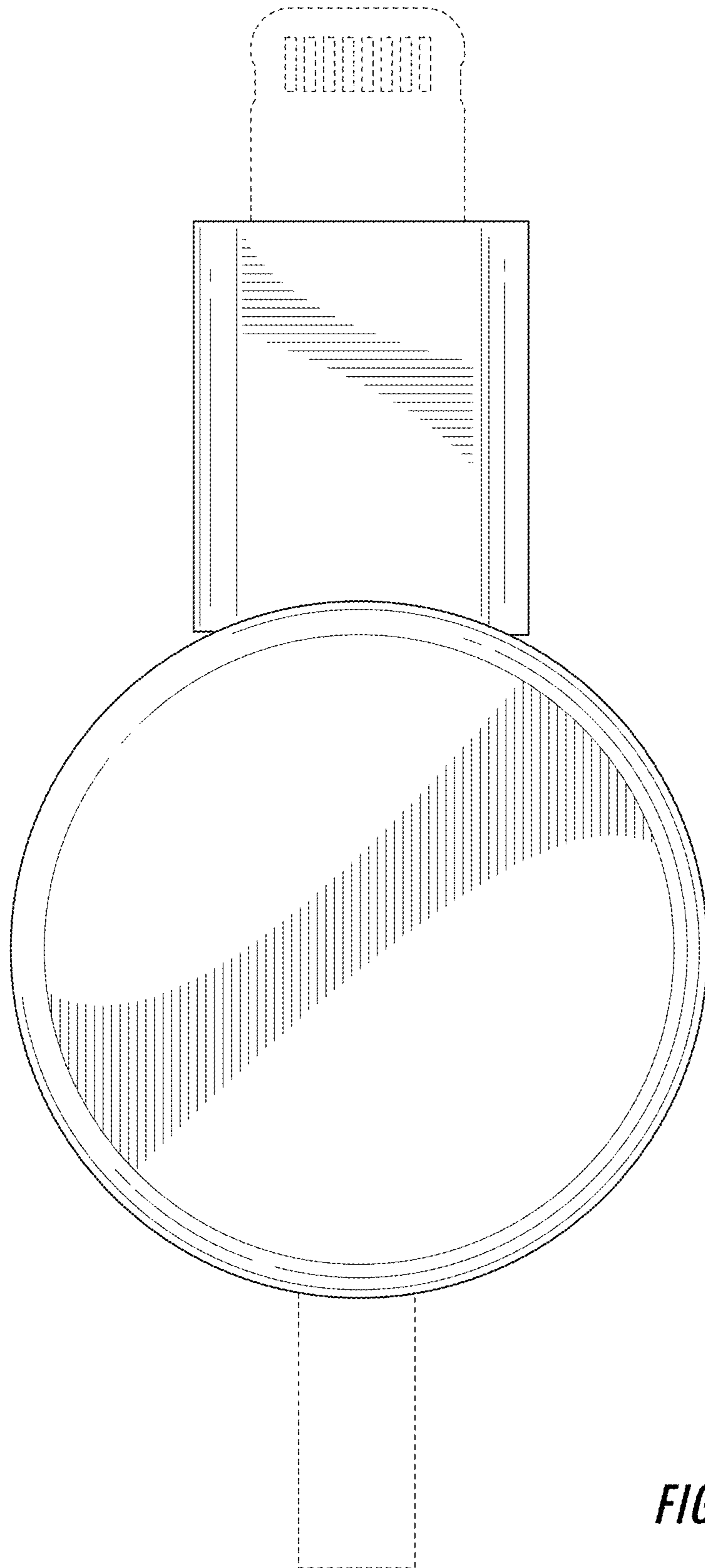


FIG. 3

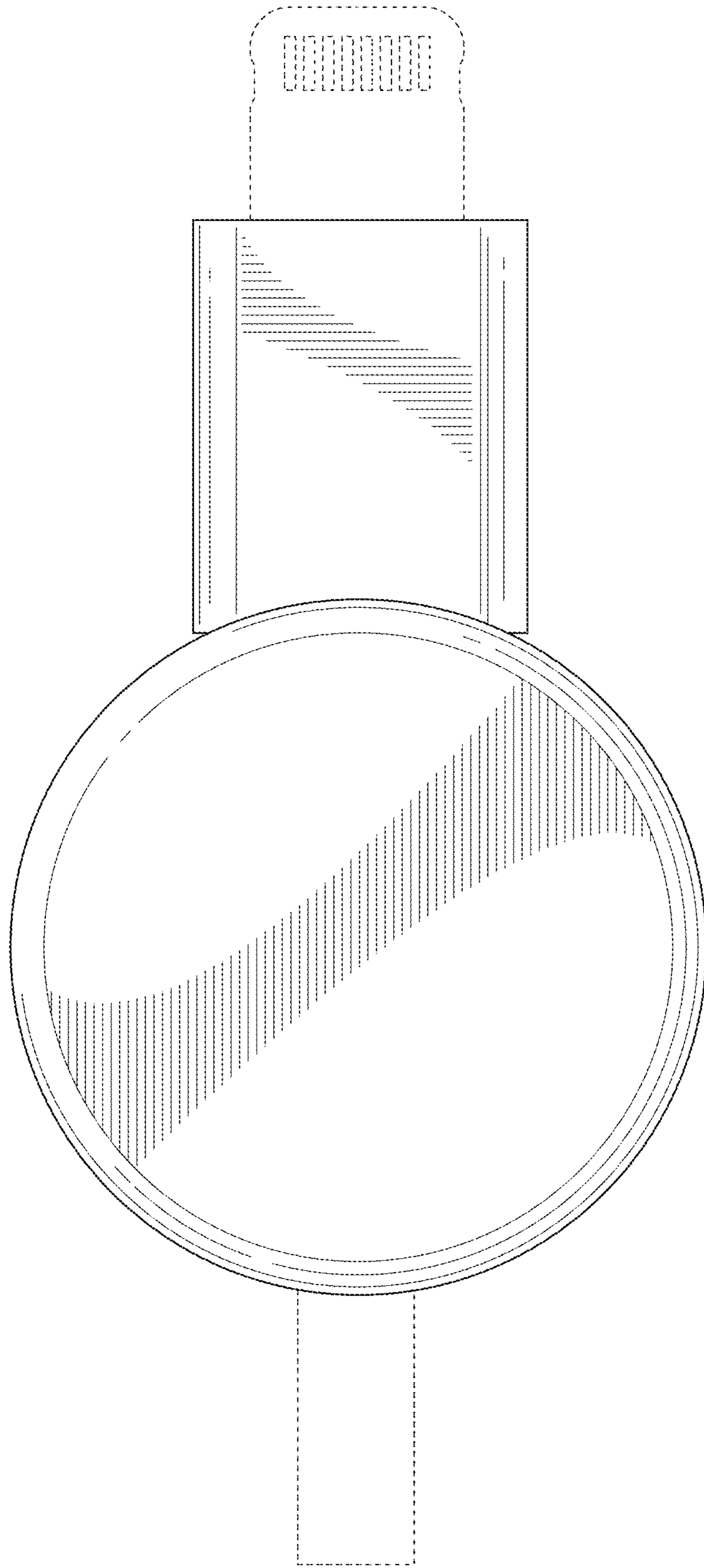


FIG. 4

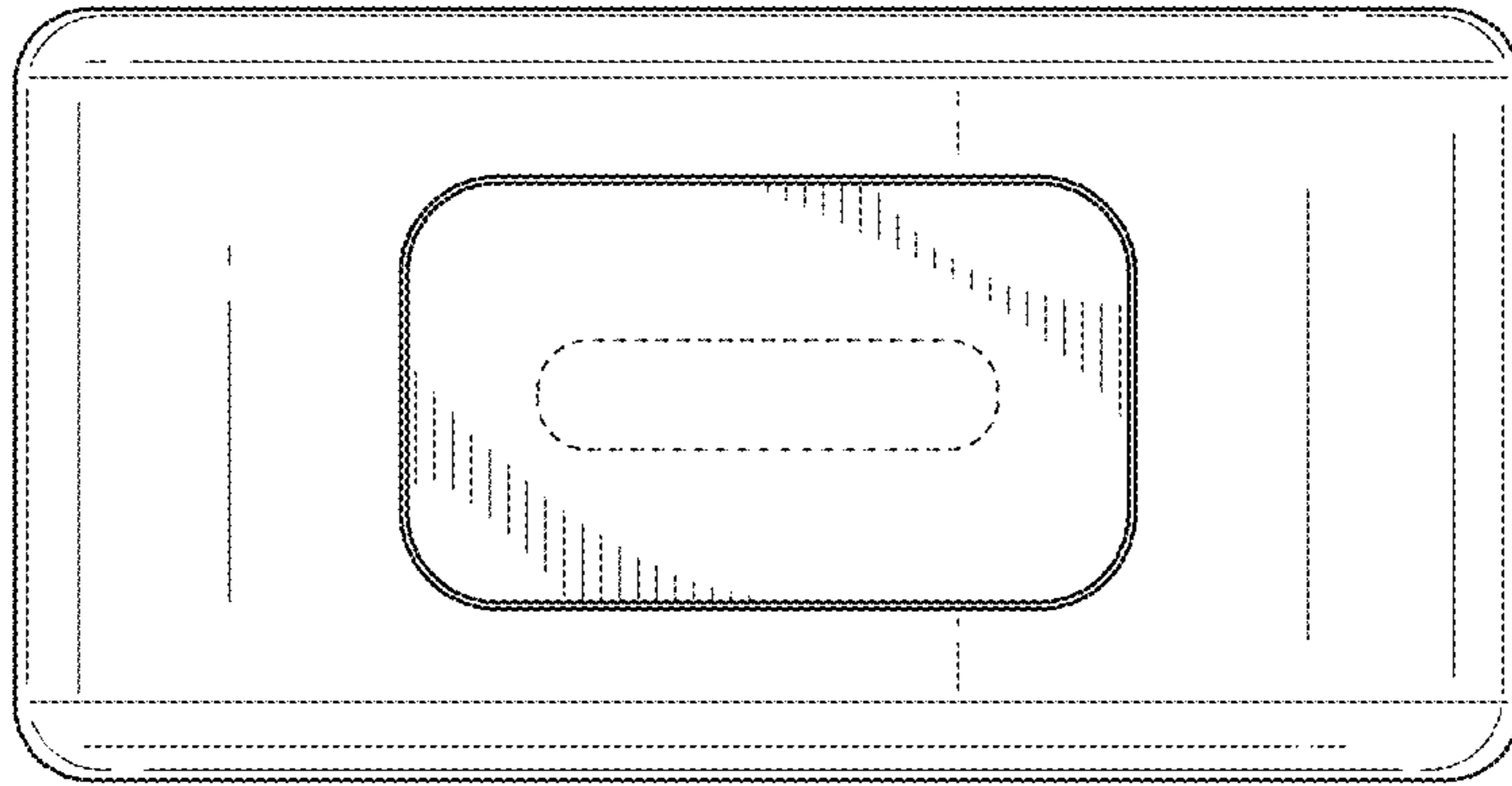


FIG. 5

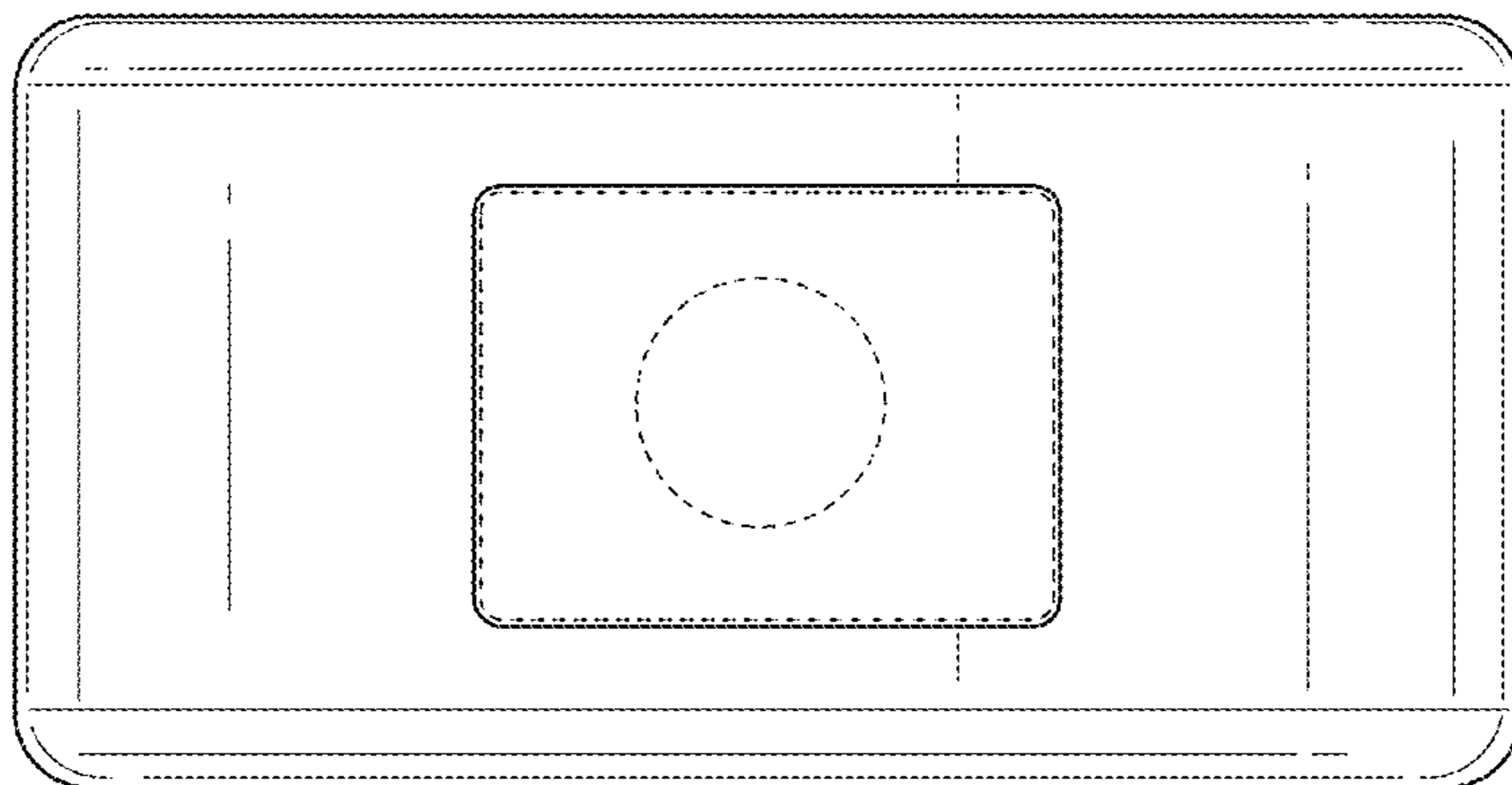


FIG. 6

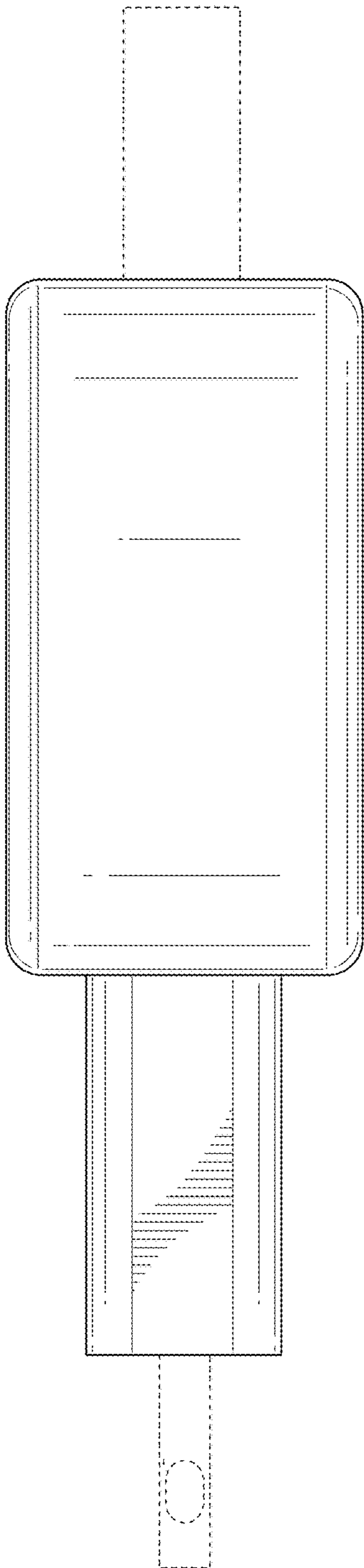


FIG. 7

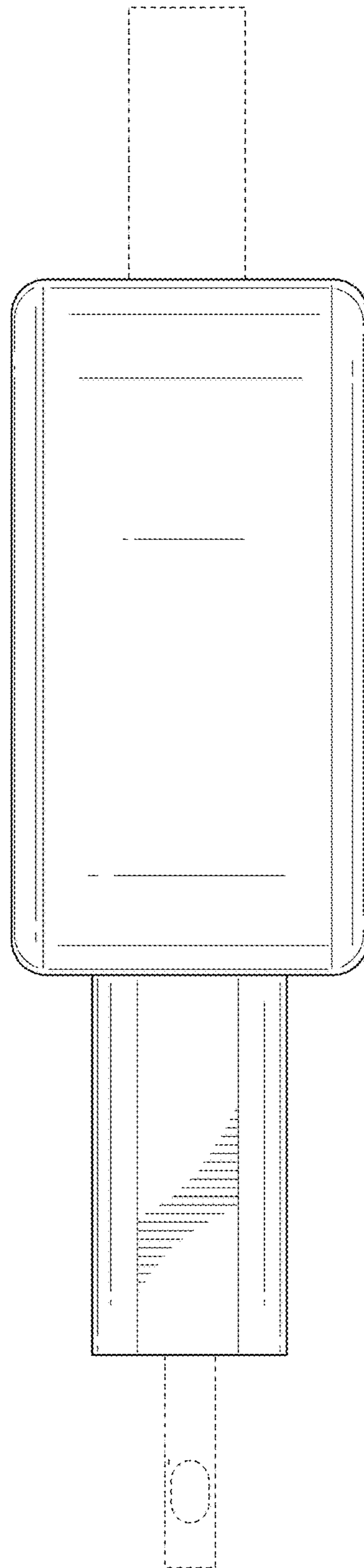


FIG. 8

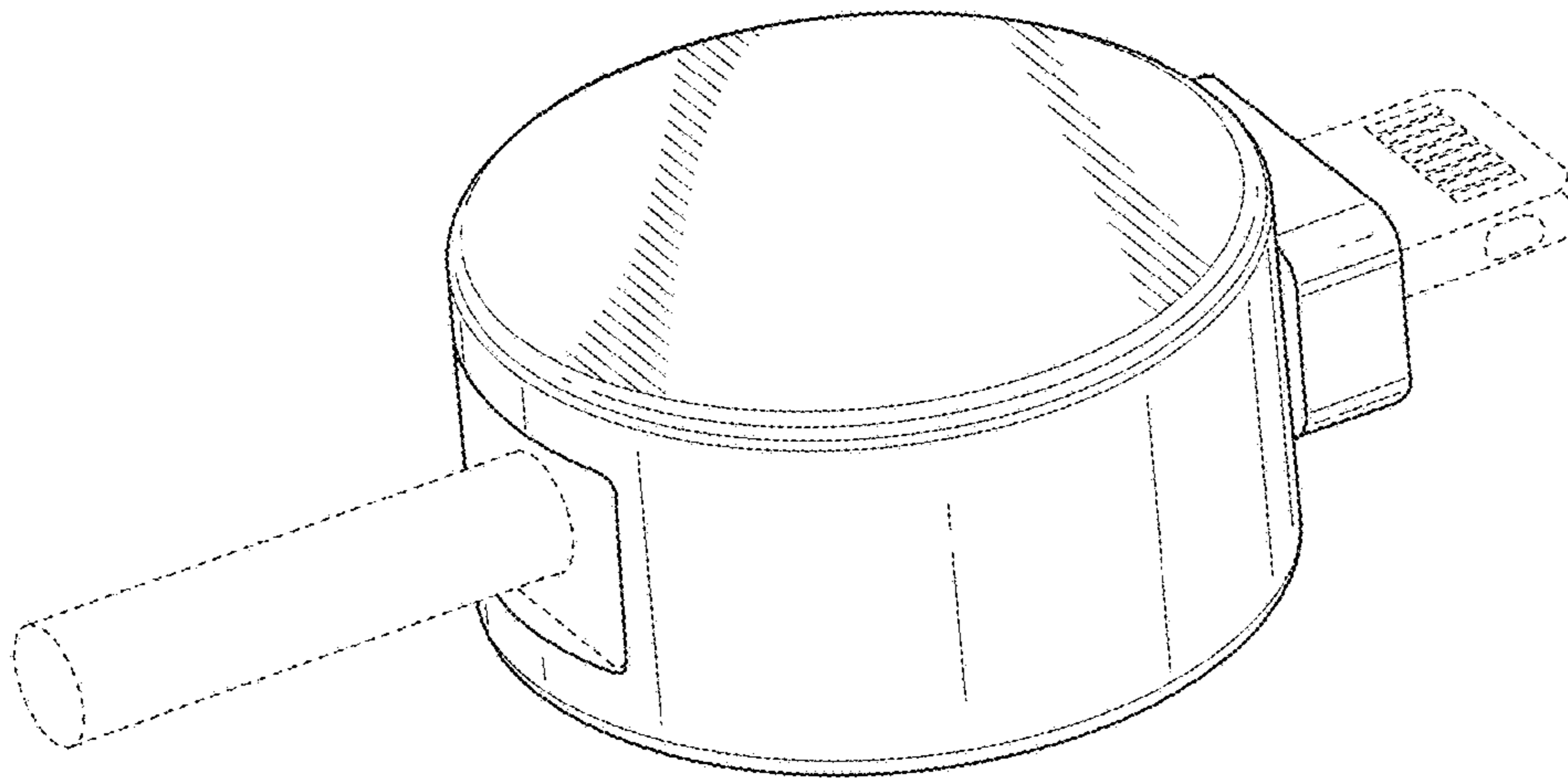


FIG. 9

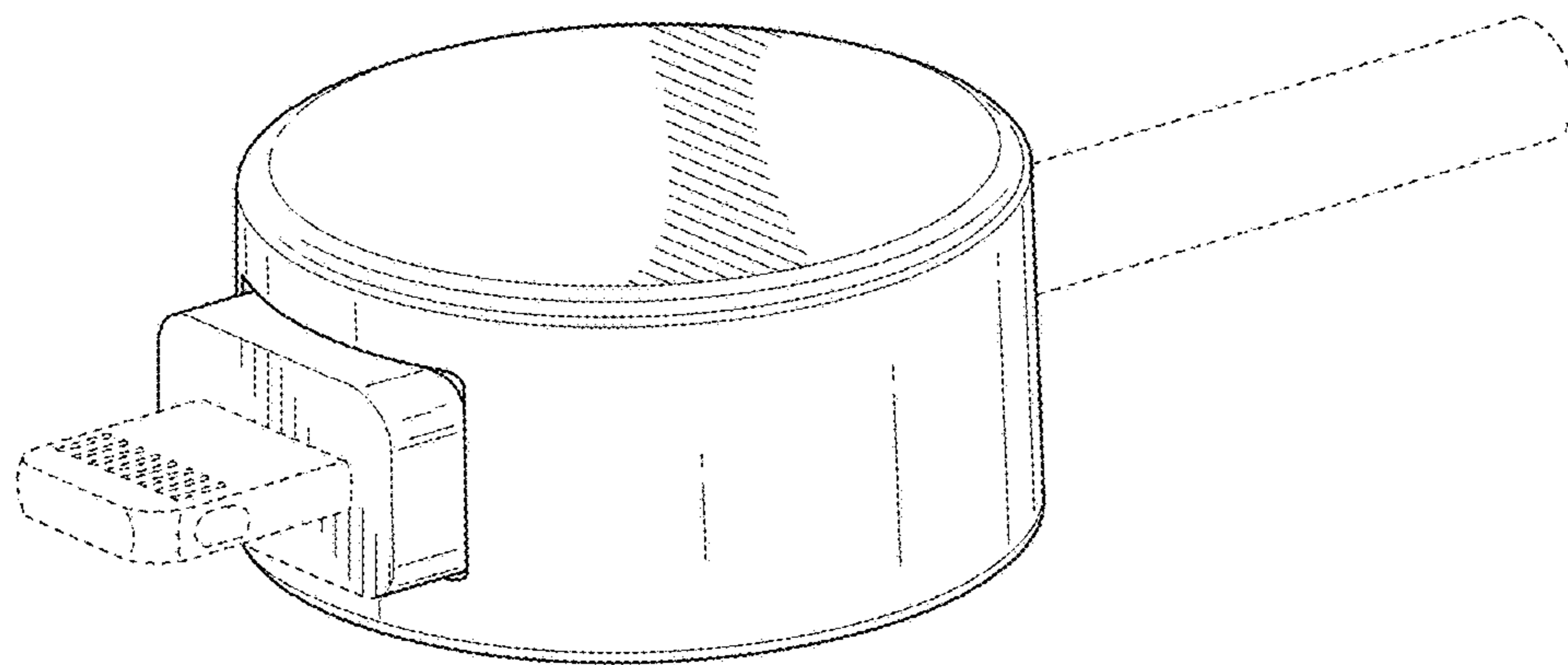


FIG. 10

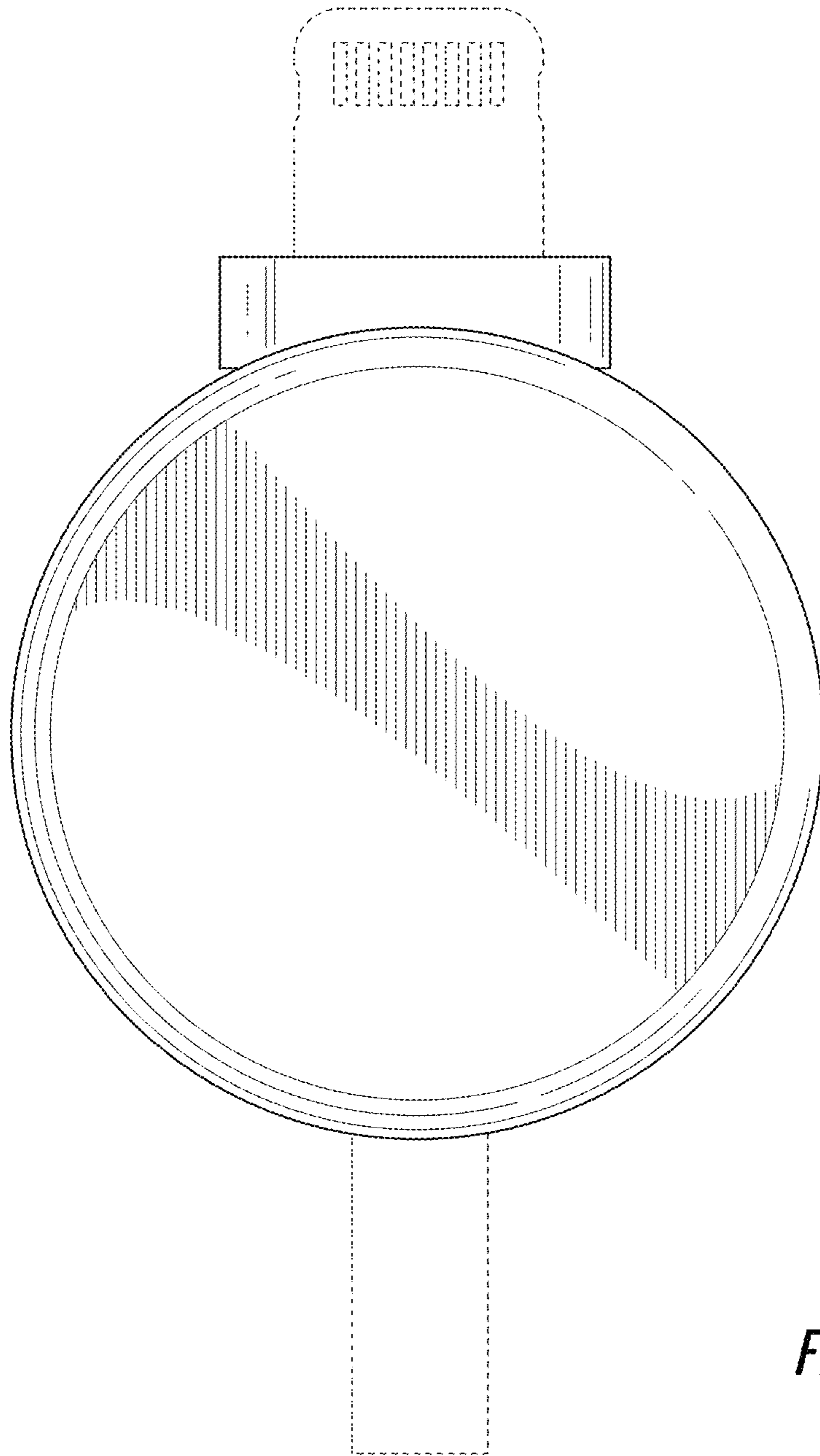


FIG. 11

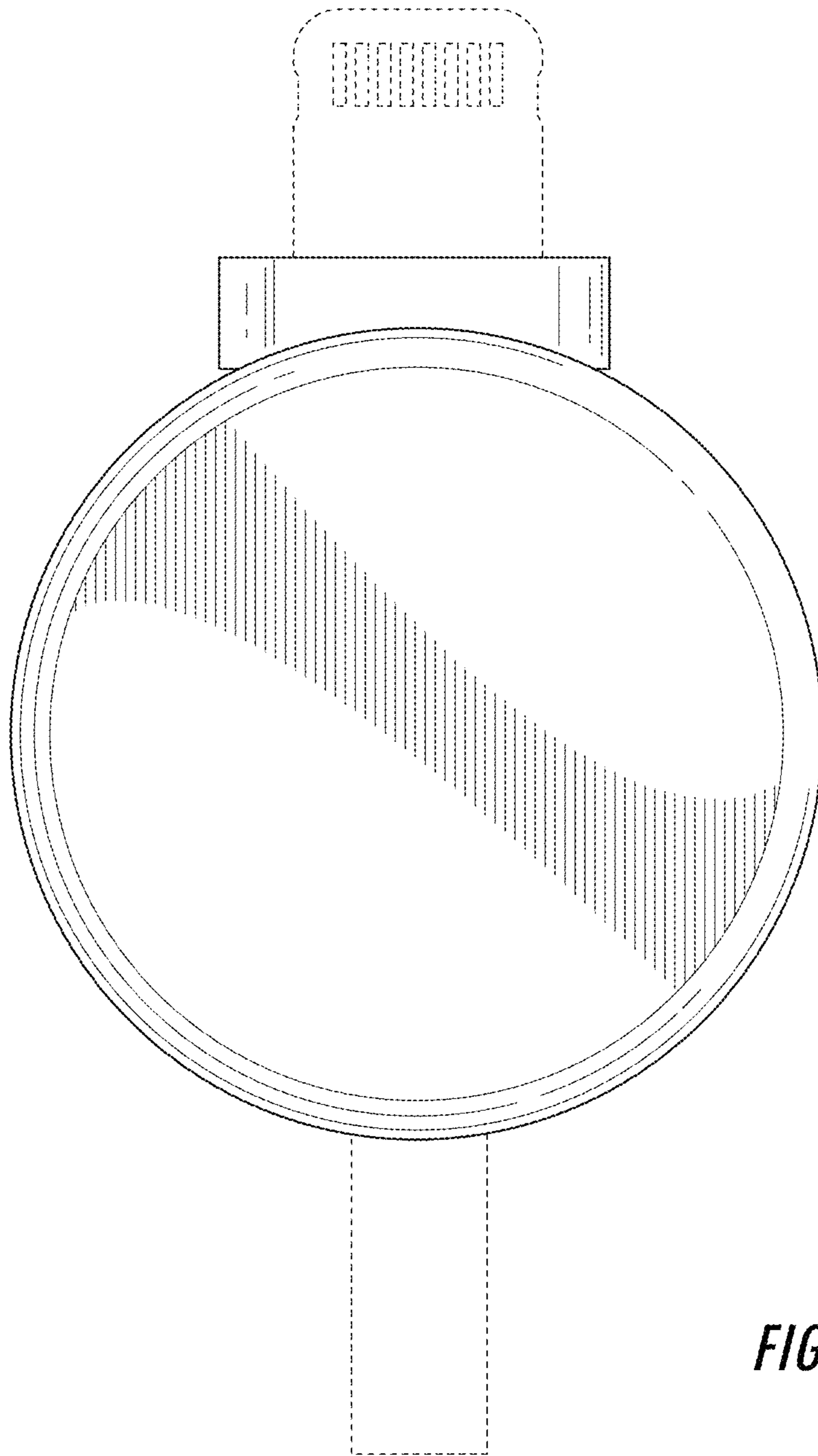


FIG. 12

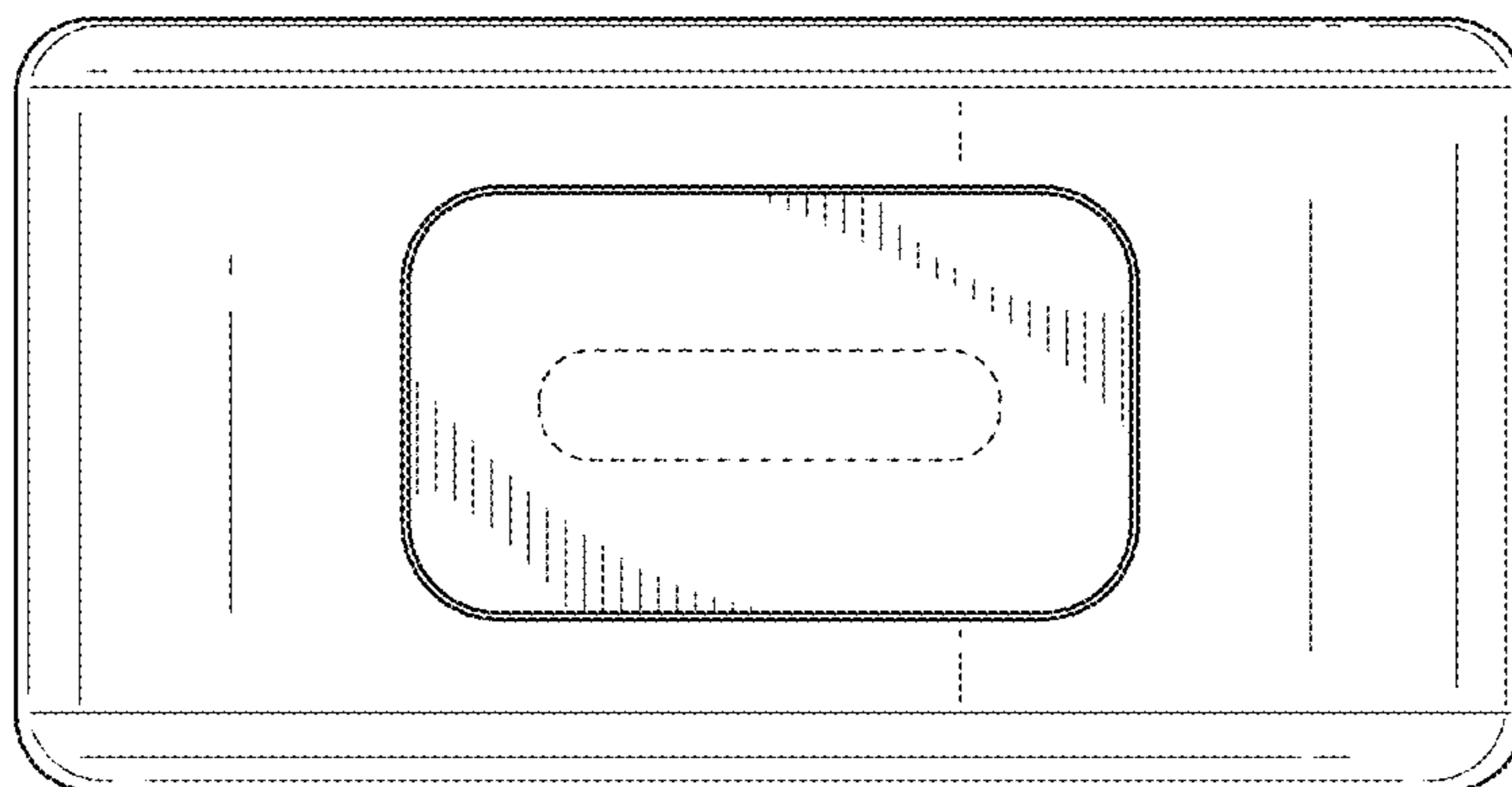


FIG. 13

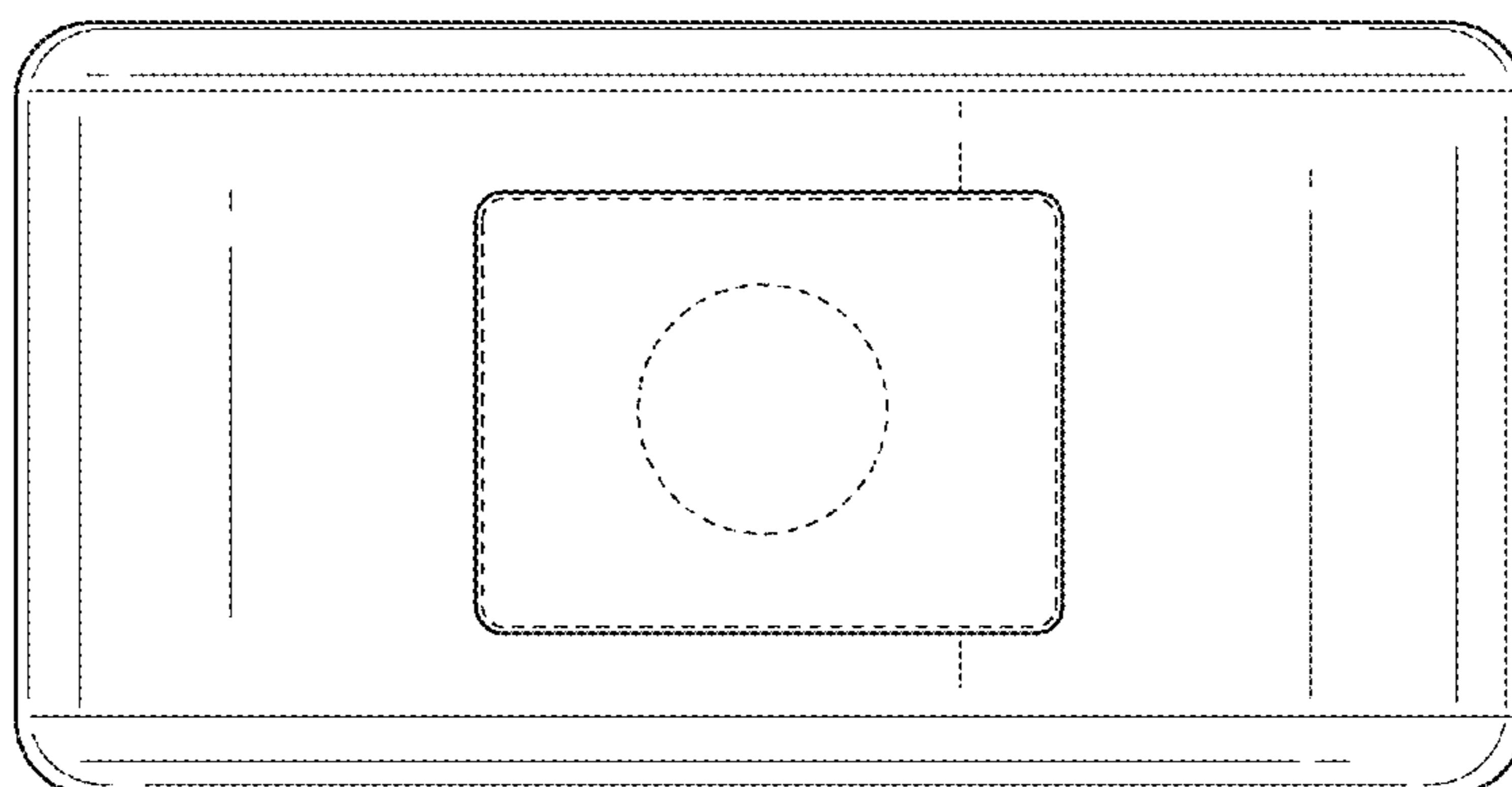


FIG. 14

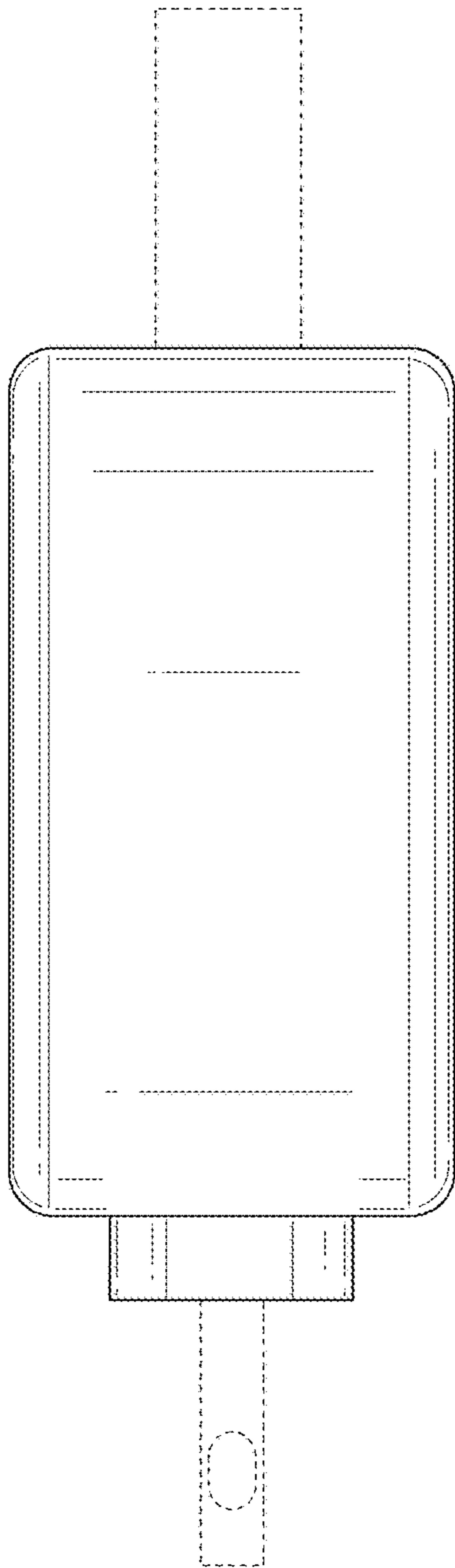


FIG. 15

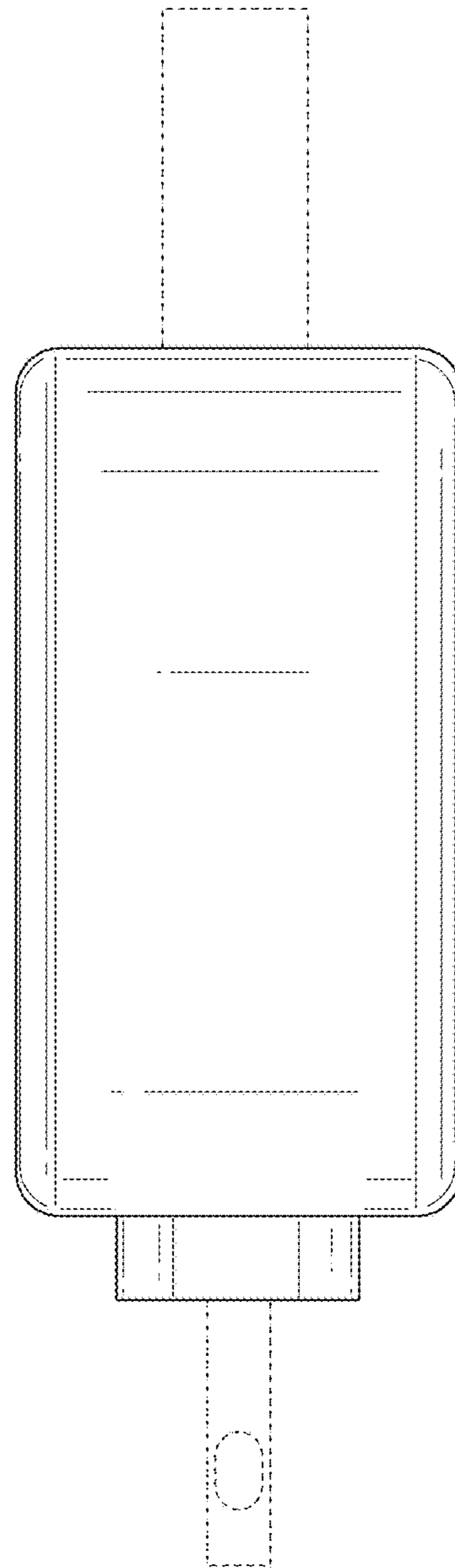


FIG. 16