



US00D830308S

(12) **United States Design Patent**  
**Zhou**

(10) **Patent No.:** **US D830,308 S**

(45) **Date of Patent:** **\*\* Oct. 9, 2018**

(54) **CONNECTOR**

(71) Applicant: **Shenzhen Qintong Technology Limited**, Shenzhen (CN)

(72) Inventor: **Shengling Zhou**, Shenzhen (CN)

(73) Assignee: **Shenzhen Qintong Technology Limited**, Shenzhen (CN)

(\*\*) Term: **15 Years**

(21) Appl. No.: **29/593,055**

(22) Filed: **Feb. 6, 2017**

(30) **Foreign Application Priority Data**

Aug. 4, 2016 (CN) ..... 2016 3 0367865

(51) **LOC (11) Cl.** ..... **13-03**

(52) **U.S. Cl.**  
USPC ..... **D13/147**

(58) **Field of Classification Search**

USPC ..... D13/123, 133, 146, 147, 154, 184, 199

CPC ..... H01R 12/51; H01R 12/52; H01R 12/57;

H01R 12/592; H01R 12/61; H01R 12/63;

H01R 12/7005; H01R 12/716; H01R

12/72; H01R 12/732; H01R 12/777;

H01R 12/79; H01R 12/87; H01R 12/89;

H01R 13/213; H01R 13/2464; H01R

13/2492; H01R 13/26; H01R 13/28;

H01R 13/428; H01R 13/434; H01R

13/4362; H01R 13/4534; H01R 13/506;

H01R 13/508; H01R 13/5804; H01R

13/5816; H01R 13/585; H01R 13/6271;

H01R 13/635

See application file for complete search history.

(56) **References Cited**

U.S. PATENT DOCUMENTS

D260,513 S \* 9/1981 Comstock ..... D13/126

D304,028 S \* 10/1989 Matsuzaki ..... D13/147

D399,047 S \* 10/1998 Yoshida ..... D13/147

D460,342 S \* 7/2002 Luu ..... D13/146

D637,971 S \* 5/2011 Canning ..... D13/154

D768,083 S \* 10/2016 Zhou ..... D13/147

D768,574 S \* 10/2016 Zhou ..... D13/147

\* cited by examiner

*Primary Examiner* — Daniel Bui

(74) *Attorney, Agent, or Firm* — Michael Best & Friedrich LLP

(57) **CLAIM**

The ornamental design for a connector, as shown and described.

**DESCRIPTION**

FIG. 1 is a front elevation view of a connector showing my new design;

FIG. 2 is a rear elevation view thereof;

FIG. 3 is a left side elevation view thereof;

FIG. 4 is a right side elevation view thereof;

FIG. 5 is a top plan view thereof.

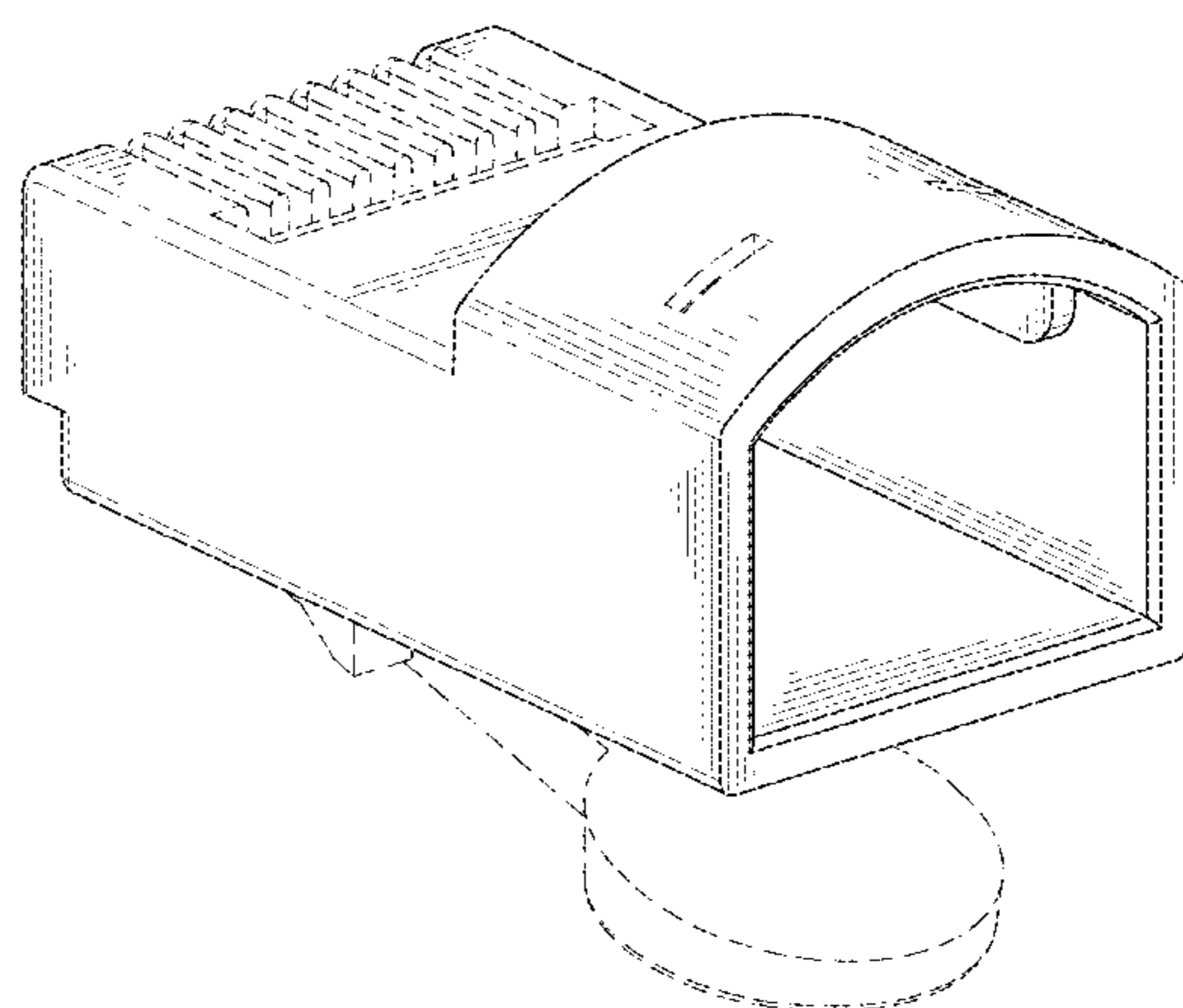
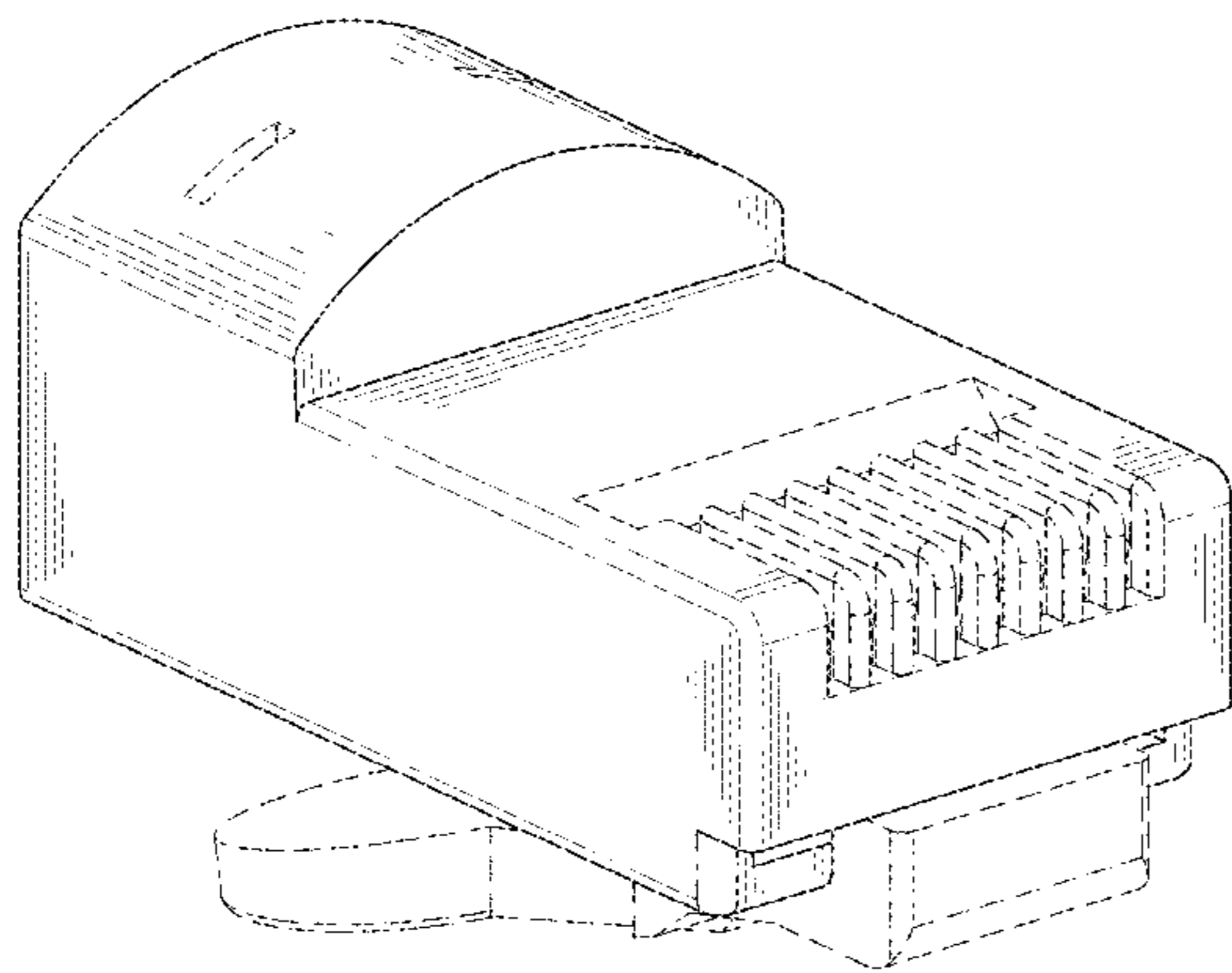
FIG. 6 is a bottom plan view thereof;

FIG. 7 is a front, right and top perspective view thereof; and,

FIG. 8 is a rear, left and top perspective view thereof.

The broken line showing of the environment is for illustrative purposes only and forms no part of the claimed design.

**1 Claim, 8 Drawing Sheets**



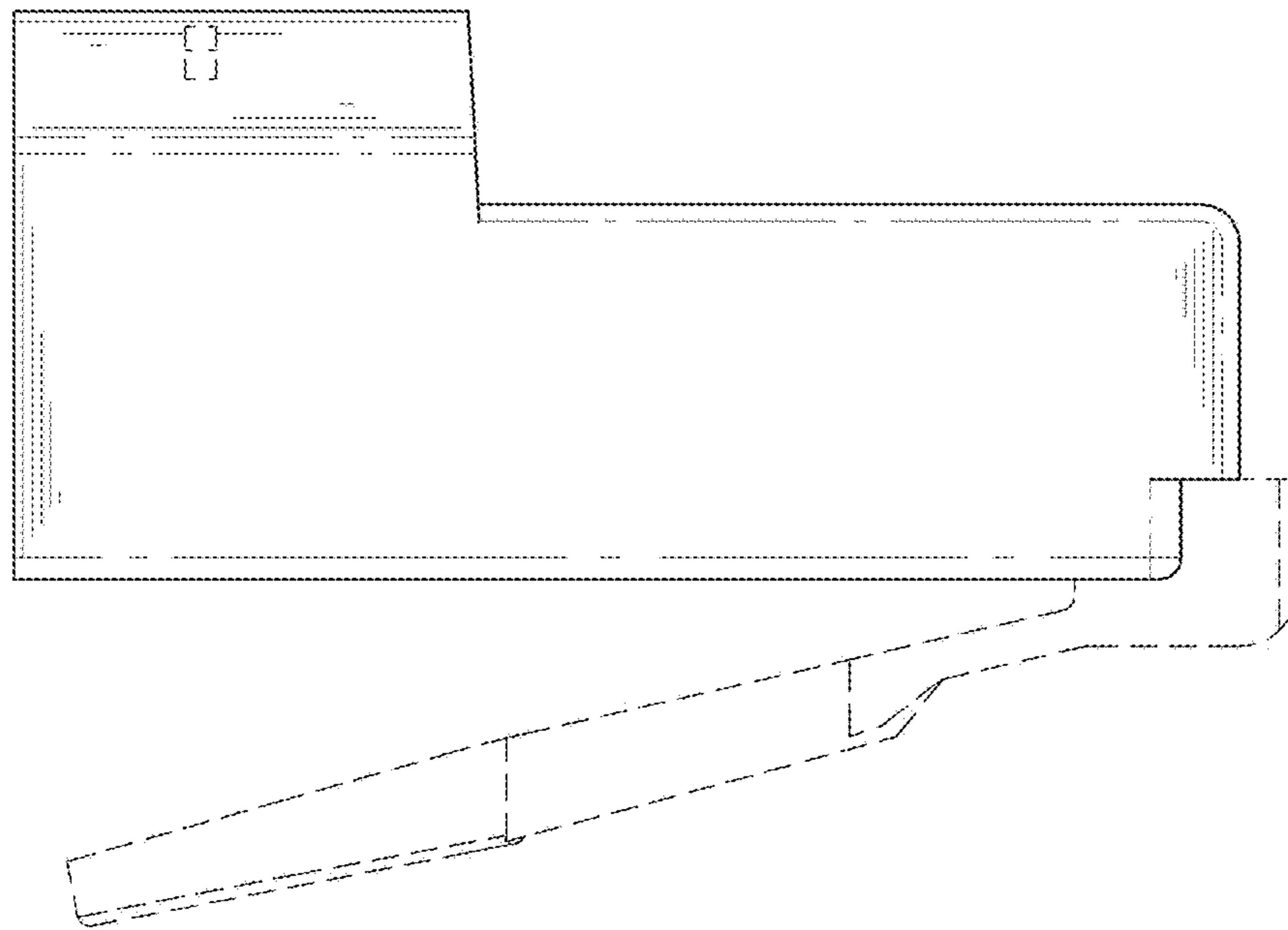


FIG. 1

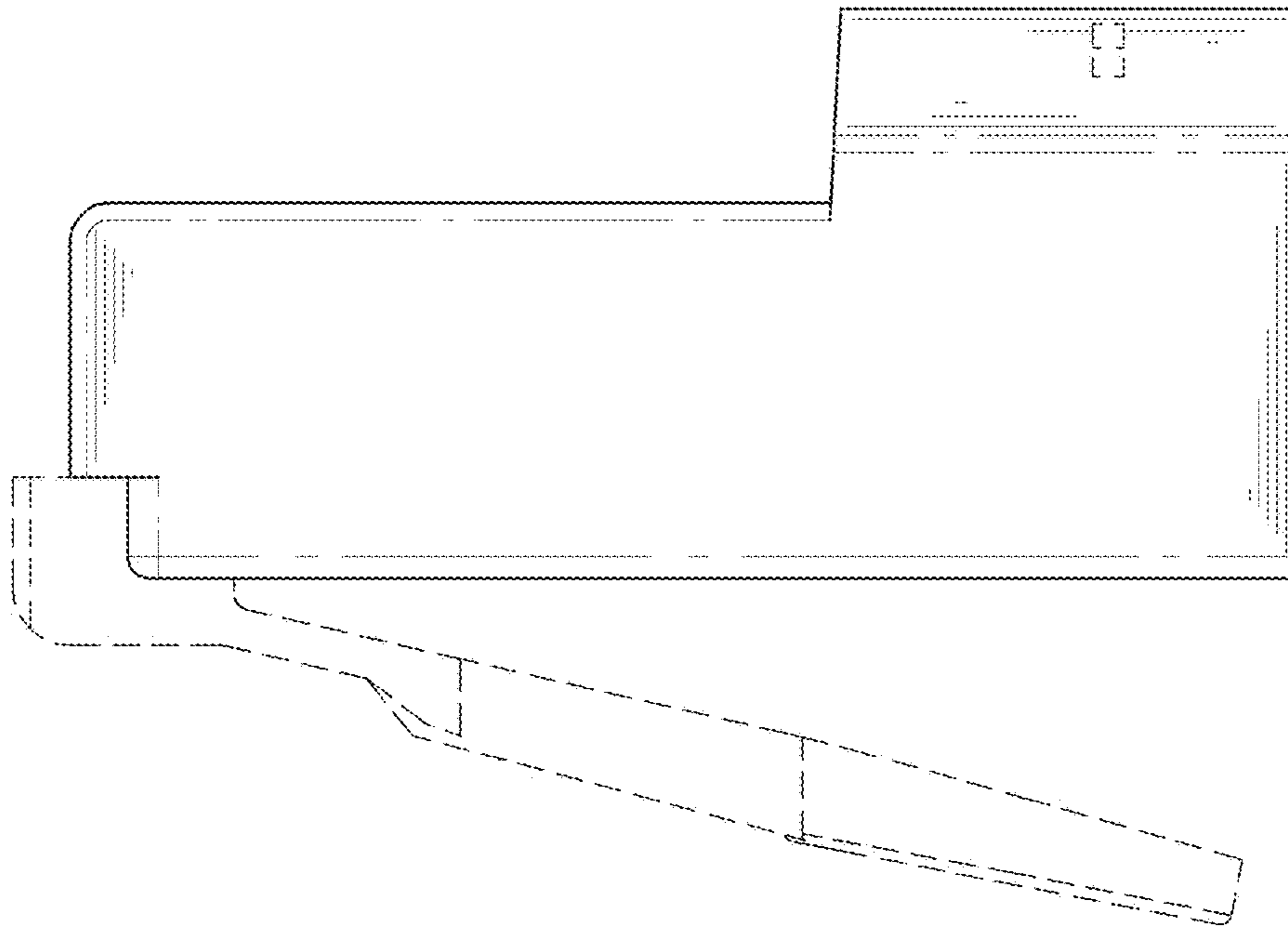


FIG. 2

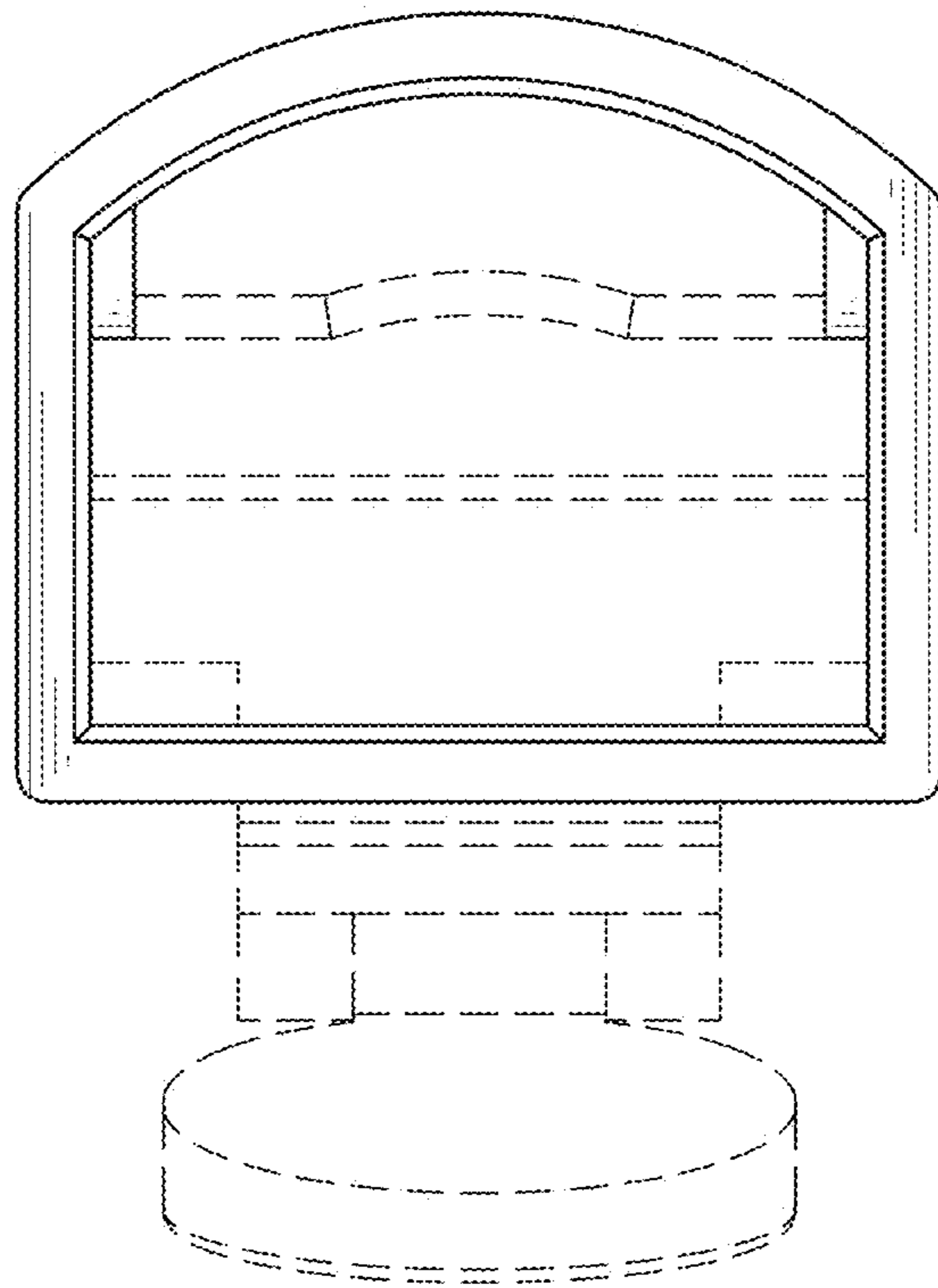


FIG. 3

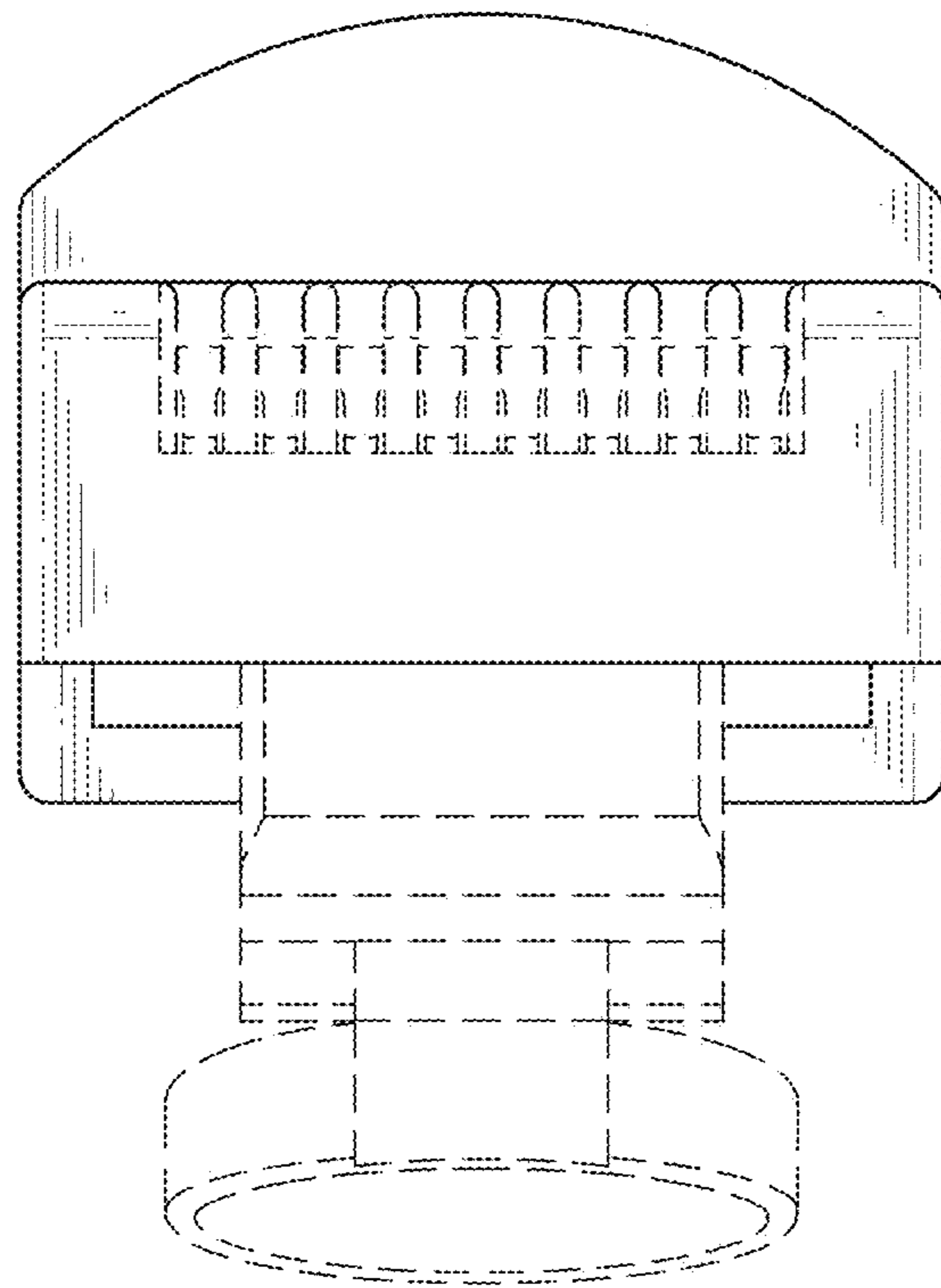


FIG. 4

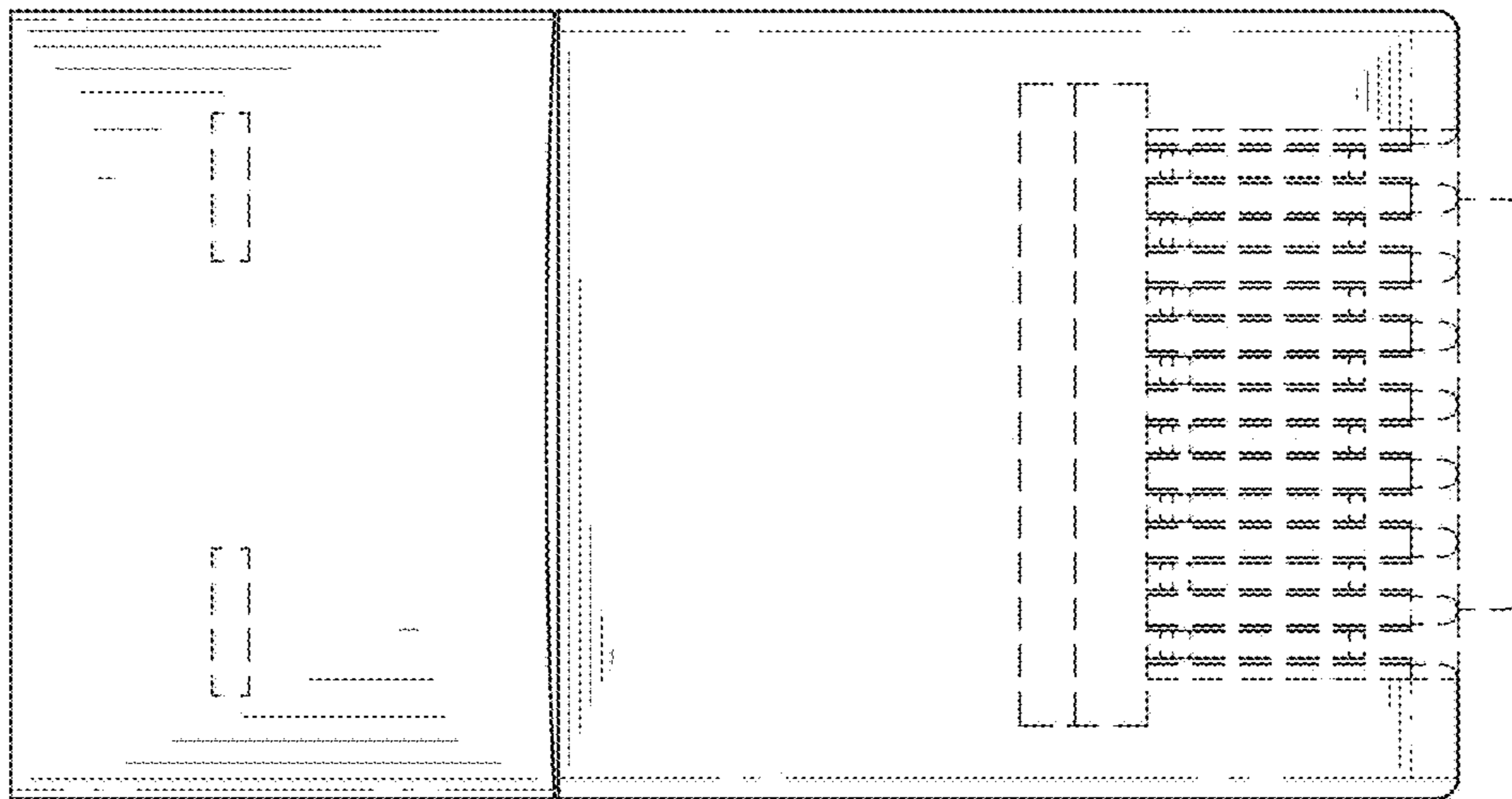


FIG. 5

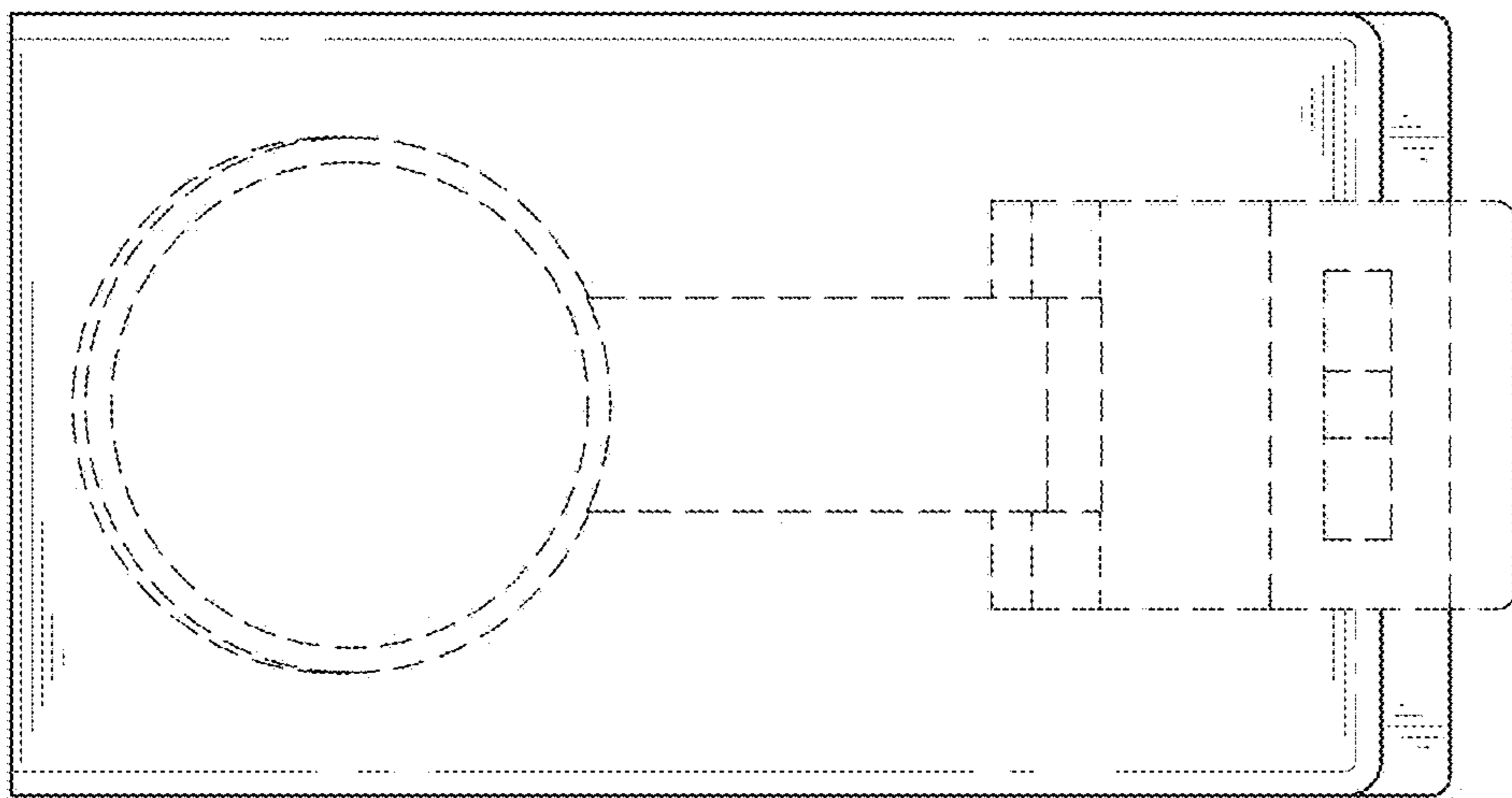


FIG. 6

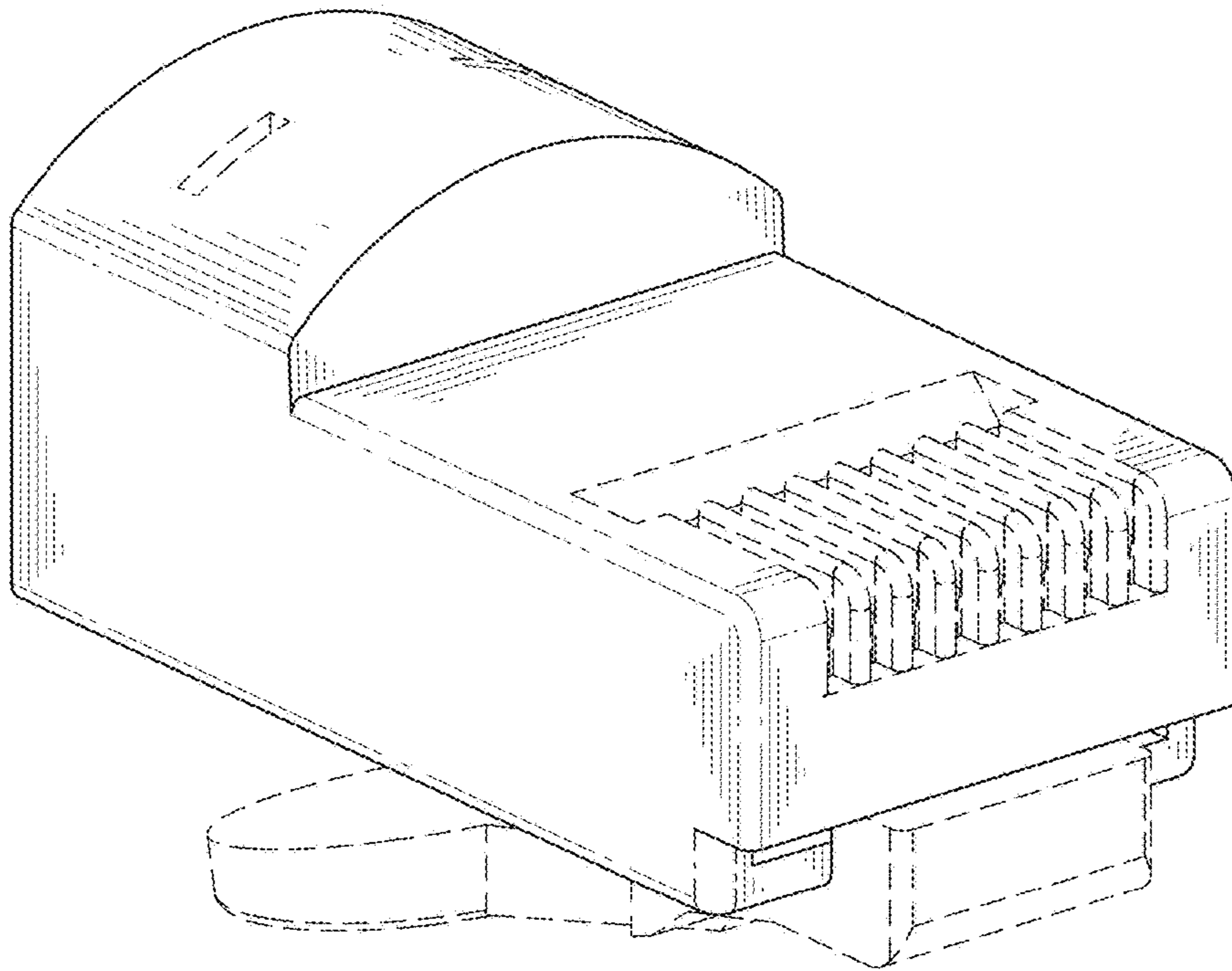


FIG. 7



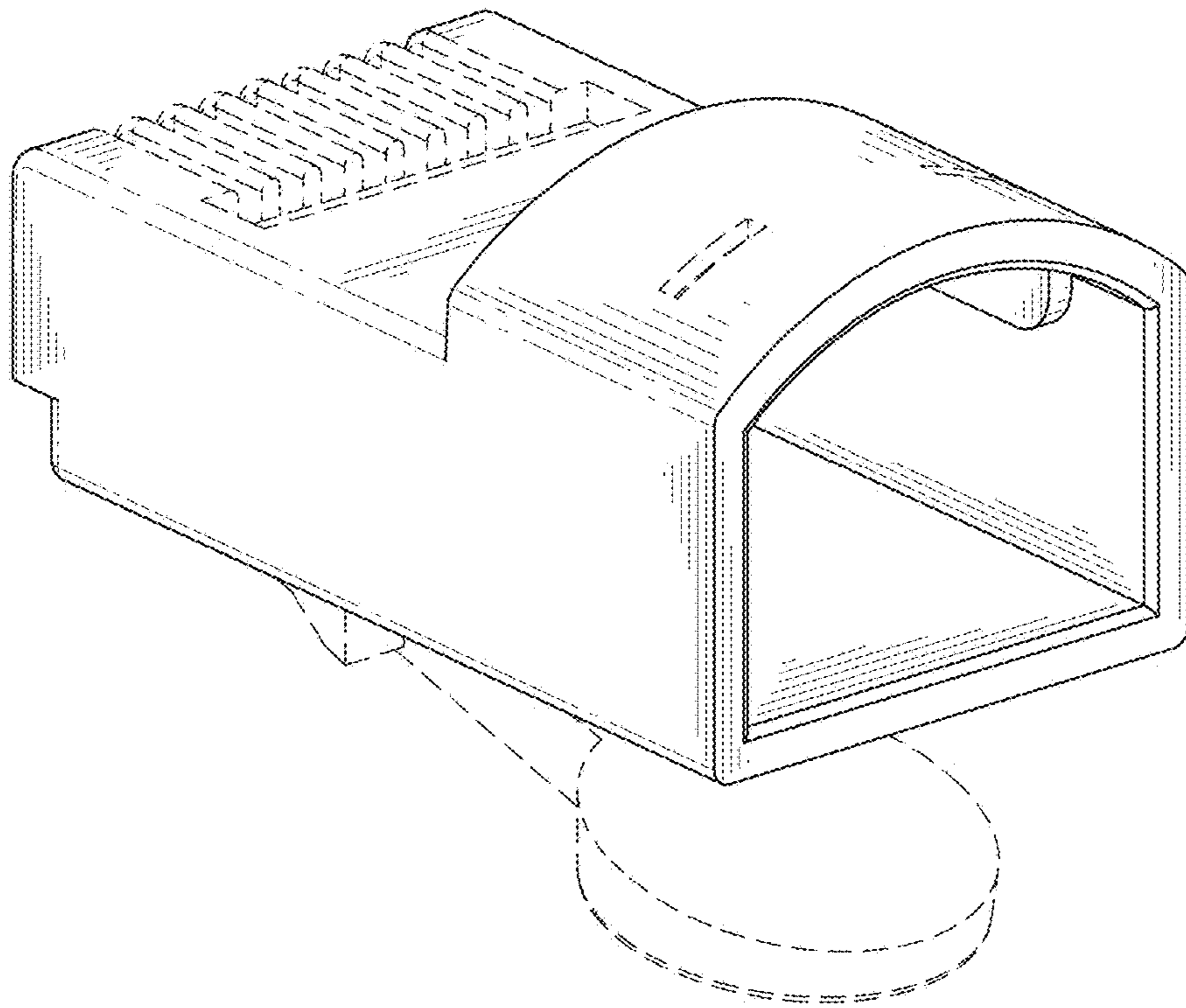


FIG. 8