



US00D830307S

(12) **United States Design Patent**
Liu

(10) **Patent No.:** **US D830,307 S**

(45) **Date of Patent:** **** Oct. 9, 2018**

(54) **POWER PLUG ADAPTER**

(71) Applicant: **Song Liu**, Ganzhou (CN)

(72) Inventor: **Song Liu**, Ganzhou (CN)

(**) Term: **15 Years**

(21) Appl. No.: **29/604,486**

(22) Filed: **May 17, 2017**

(51) **LOC (11) Cl.** **13-03**

(52) **U.S. Cl.**
USPC **D13/137.2**

(58) **Field of Classification Search**
USPC D13/108, 110, 123, 133, 137.1–137.4,
D13/138.1–138.2, 139.1–139.8, 152–154,
D13/146, 147, 156, 158; D14/433;
D8/350–353
CPC H01R 11/00; H01R 9/00; H01R 25/00;
H01R 25/006; H01R 13/11; H01R 24/76
See application file for complete search history.

(56) **References Cited**

U.S. PATENT DOCUMENTS

D623,595 S * 9/2010 Ruffner D13/110
D657,314 S * 4/2012 Ruffner D13/139.1
D664,094 S * 7/2012 Ruffner D13/138.2
D702,639 S * 4/2014 Ruffner D13/110

D720,695 S * 1/2015 Shen D13/110
D741,265 S * 10/2015 Lee D13/137.2
2015/0099380 A1* 4/2015 Ruffner H01R 13/4534
439/137

* cited by examiner

Primary Examiner — Rosemary K Tarcza

Assistant Examiner — Christy M Nemeth

(74) *Attorney, Agent, or Firm* — Novoclaims Patent
Services LLC; Mei Lin Wong

(57) **CLAIM**

The ornamental design for a power plug adapter, as shown
and described.

DESCRIPTION

FIG. 1 is a front, top, right-side perspective view of a power
plug adapter showing my new design.

FIG. 2 is a rear, bottom, left-side perspective view thereof.

FIG. 3 is a front view thereof.

FIG. 4 is a rear view thereof.

FIG. 5 is a left end view thereof.

FIG. 6 is a right end view thereof.

FIG. 7 is a top view thereof; and,

FIG. 8 is a bottom view thereof.

The broken lines in the drawings are for the purpose of
illustrating portions of the power plug adapter that form no
part of the claimed design.

1 Claim, 8 Drawing Sheets

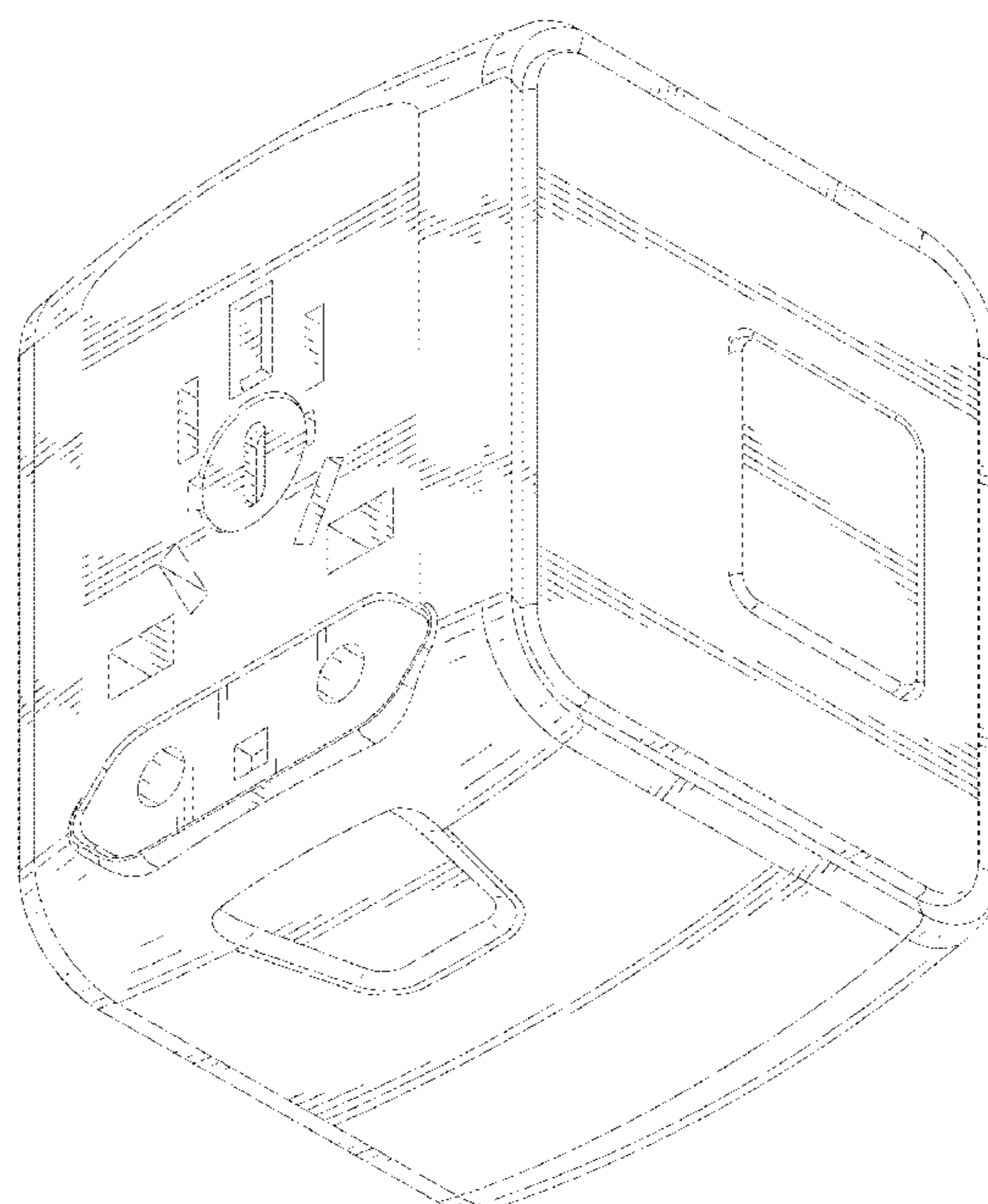
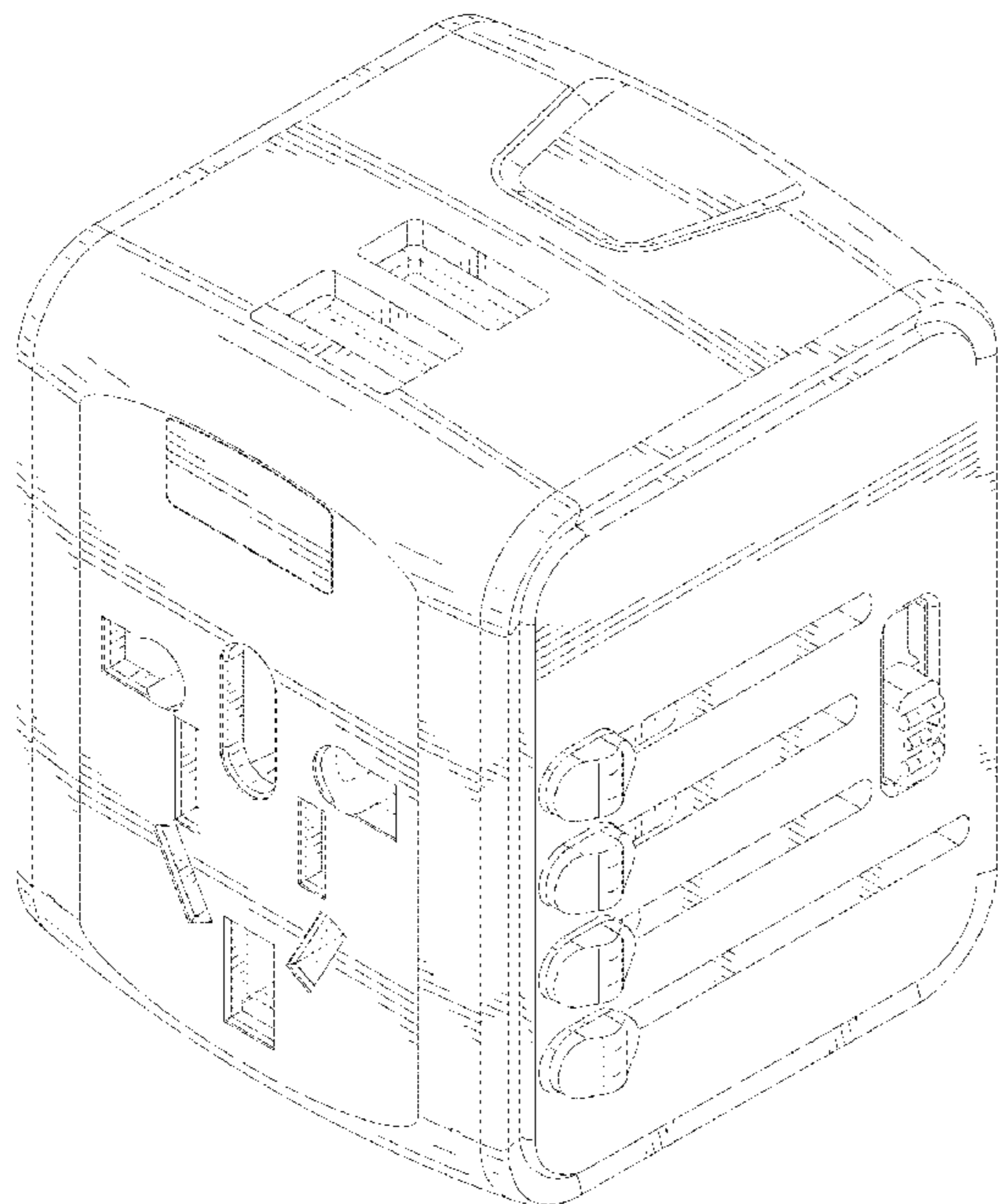




FIG.1

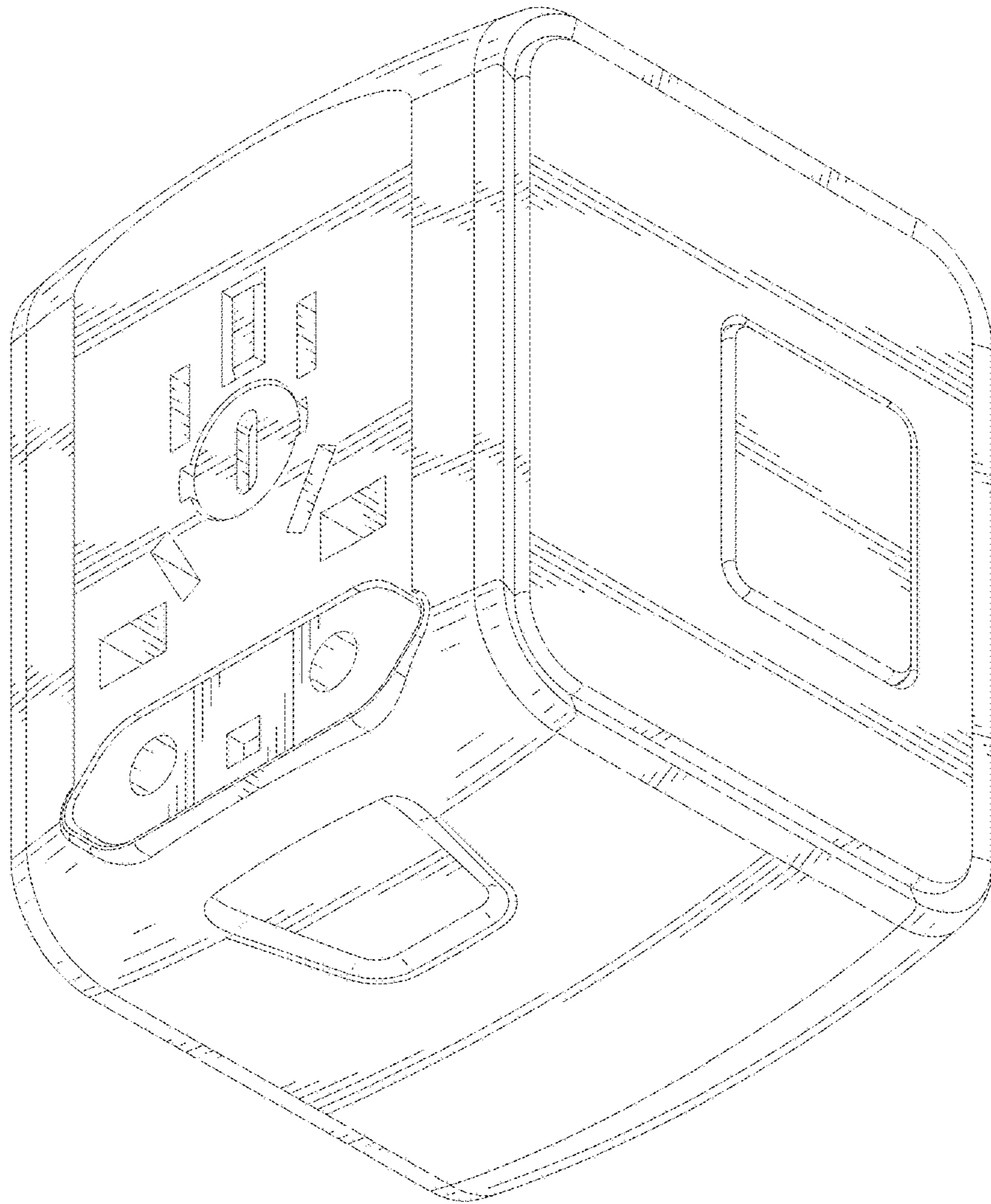


FIG.2

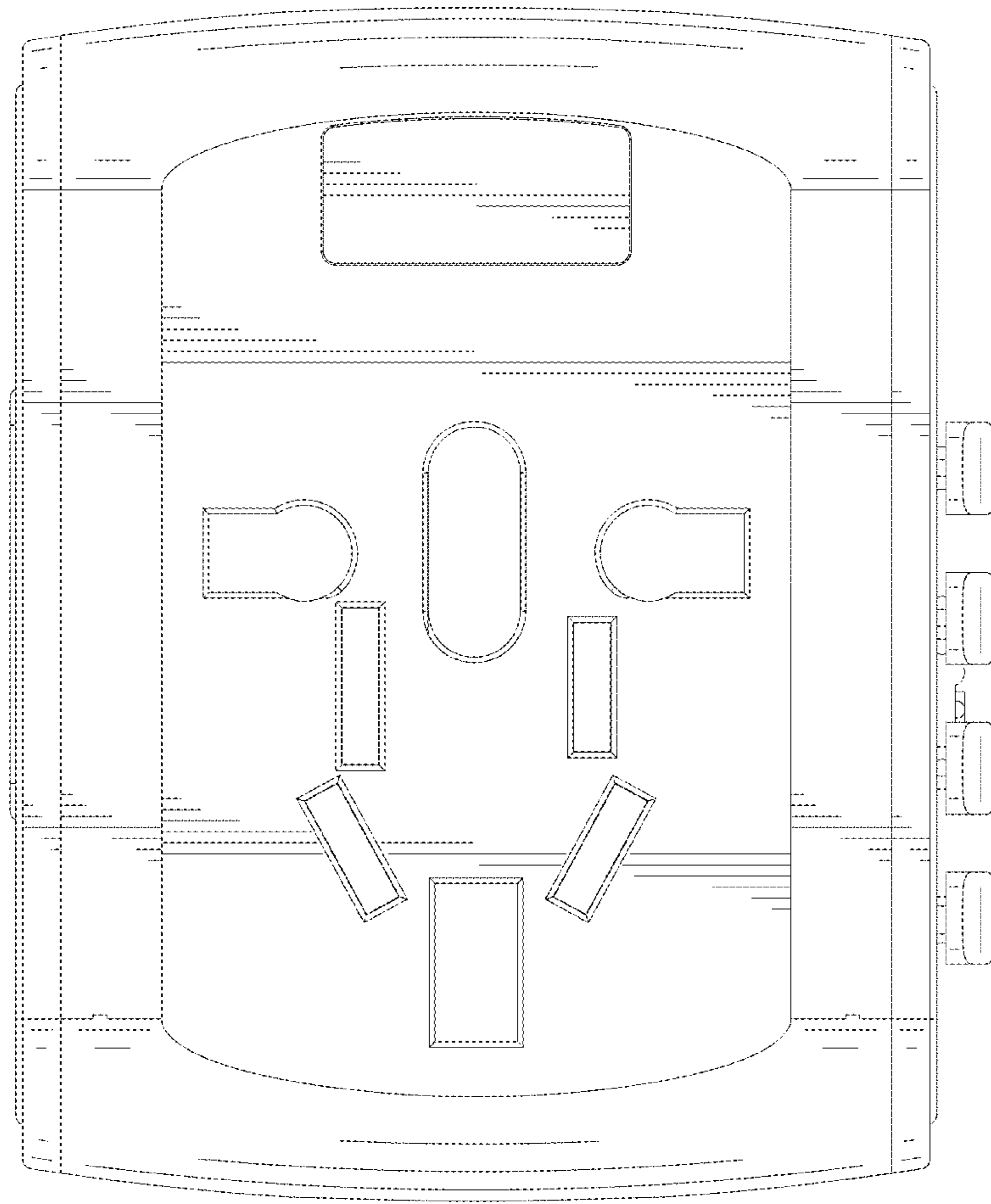


FIG.3

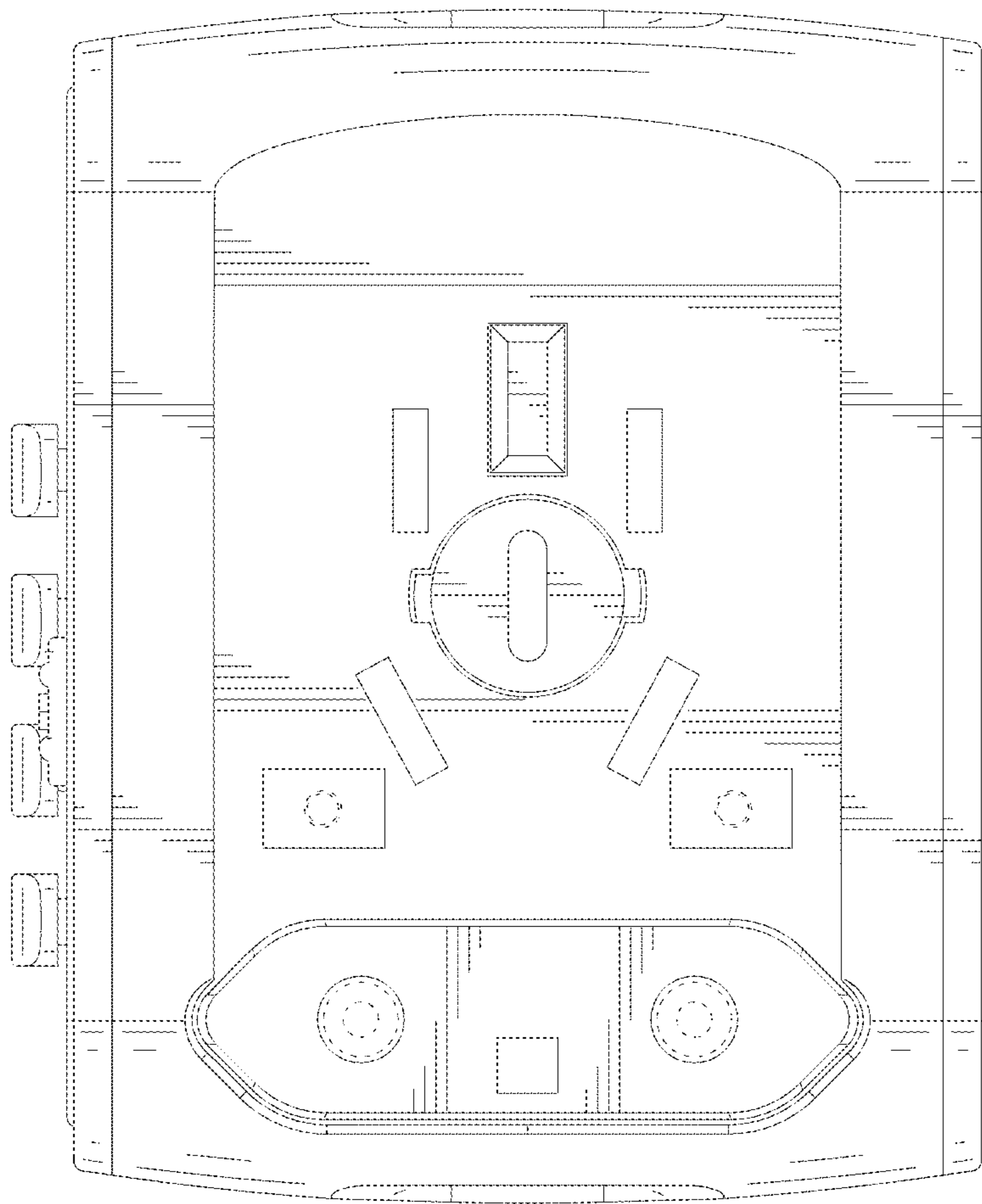


FIG.4

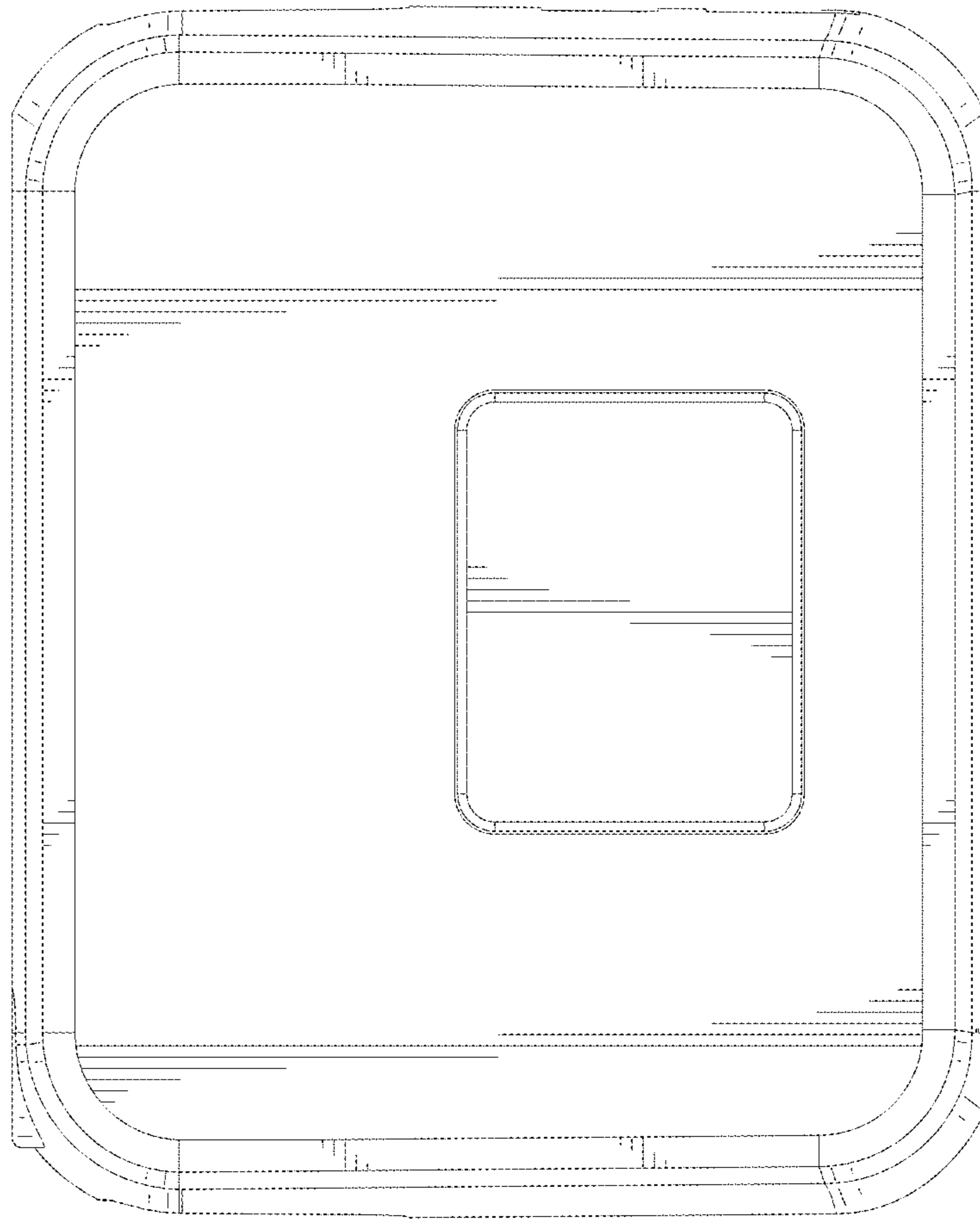


FIG.5

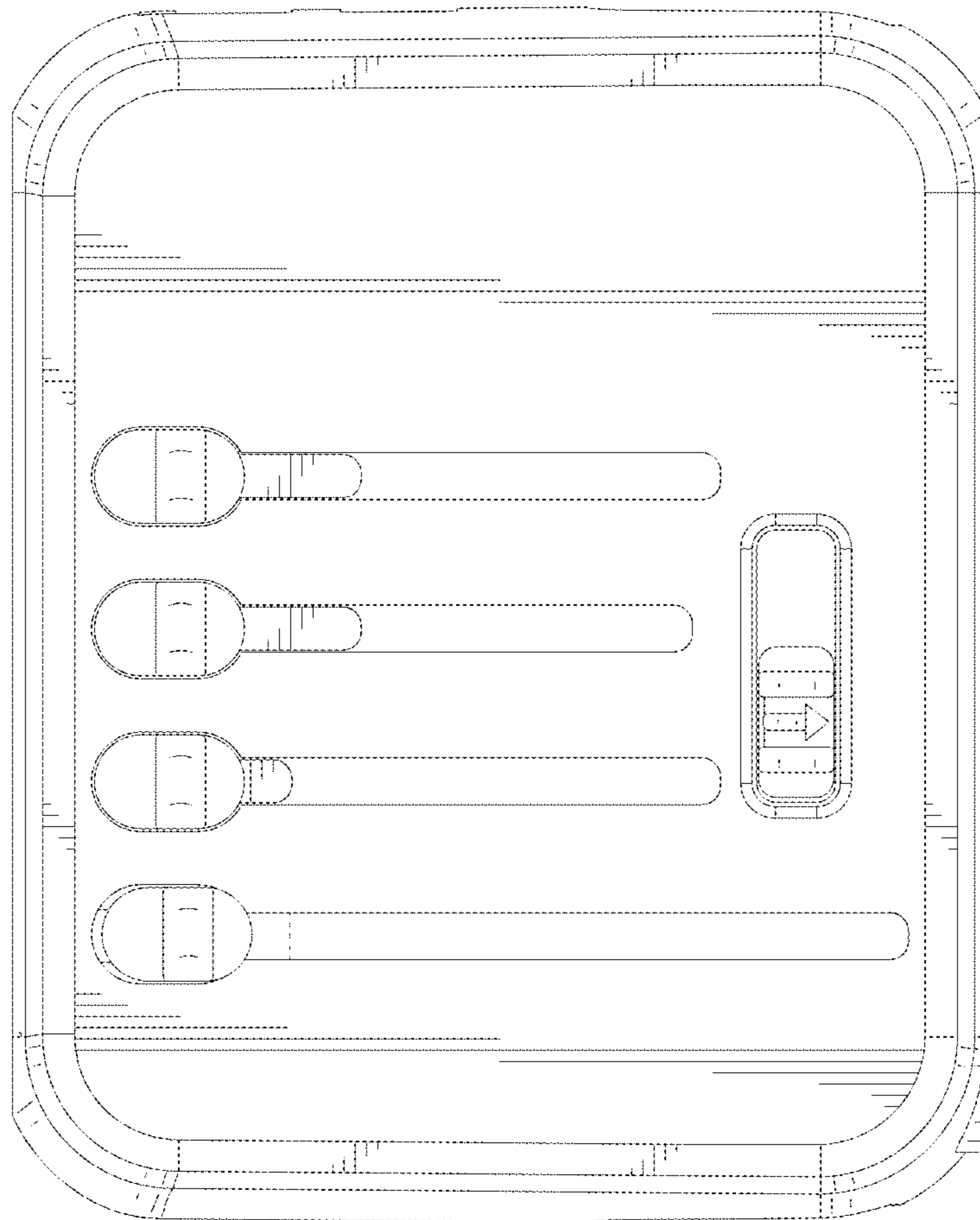


FIG.6

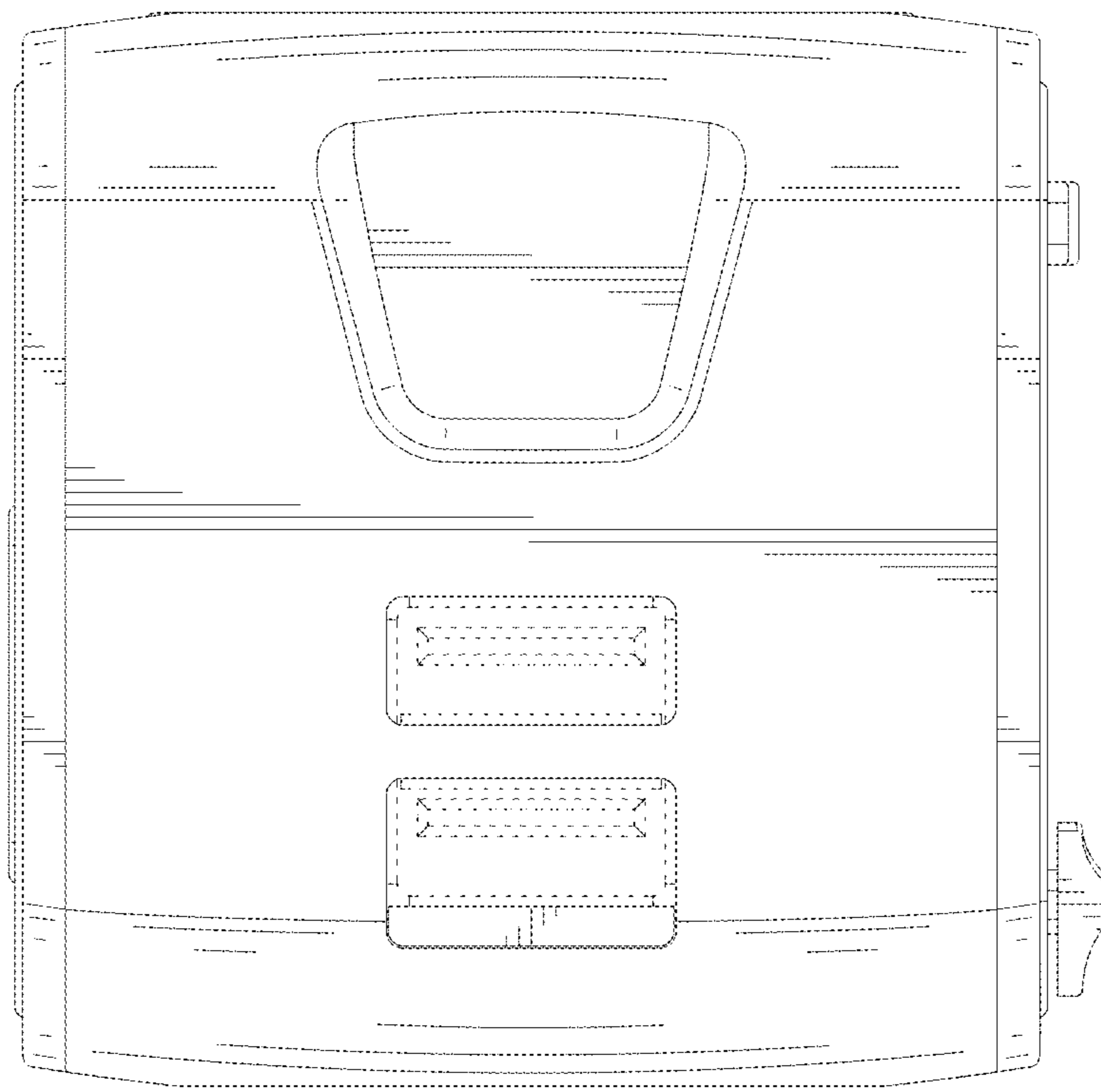


FIG.7

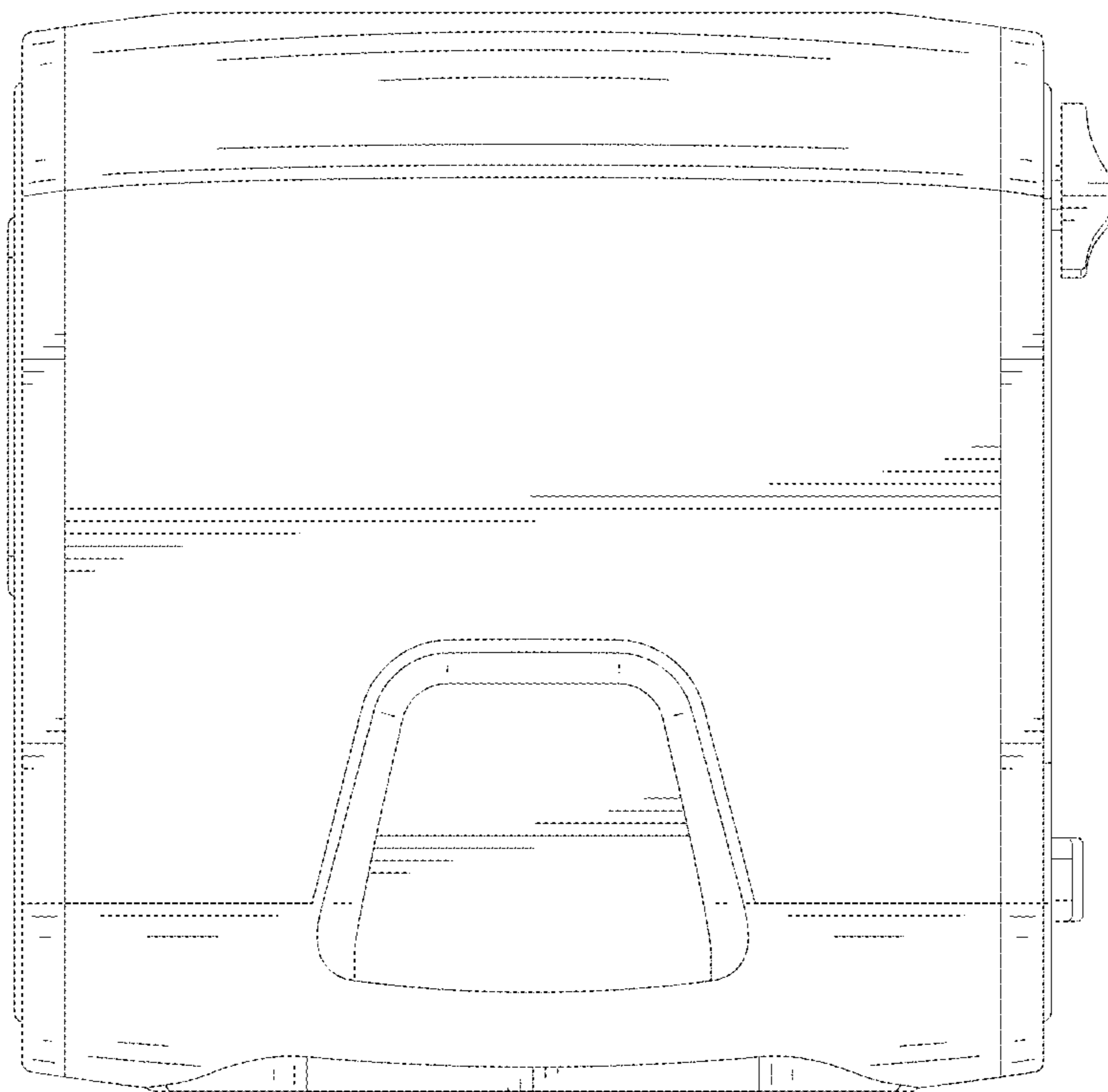


FIG.8