



US00D830305S

(12) **United States Design Patent**
Lin

(10) **Patent No.:** **US D830,305 S**
(45) **Date of Patent:** **** Oct. 9, 2018**

(54) **CONNECTION TERMINAL**
(71) Applicant: **Excel Cell Electronic Co., LTD.,**
Taichung (TW)
(72) Inventor: **Chih-Ming Lin,** Taichung (TW)
(73) Assignee: **Excel Cell Electronics Co., LTD.,**
Taichung (TW)
(**) Term: **15 Years**
(21) Appl. No.: **29/597,978**
(22) Filed: **Mar. 22, 2017**

6,749,440 B1 * 6/2004 Szu H01R 13/2435
439/515
D555,093 S * 11/2007 Chien D13/133
D555,095 S * 11/2007 Ho D13/133
D569,801 S * 5/2008 Chuang D13/133
D570,288 S * 6/2008 Ma D13/133
D582,348 S * 12/2008 Shiu D13/133

(Continued)

Primary Examiner — Angela J Lee
Assistant Examiner — Shawn T Gingrich
(74) *Attorney, Agent, or Firm* — LeClairRyan

(30) **Foreign Application Priority Data**

Dec. 13, 2016 (TW) 105307547

(51) **LOC (11) Cl.** **13-03**
(52) **U.S. Cl.**
USPC **D13/133**

(58) **Field of Classification Search**
USPC D13/118–123, 133, 146, 147, 149,
D13/154–156, 161, 173, 178, 184, 199
CPC . H01R 4/24; H01R 4/48; H01R 12/00; H01R
13/11; H01R 13/18; H01R 13/22; H01R
13/24; H01R 13/62; H01R 9/00; H01R
9/03; H01R 9/05; H01R 9/22; H01R
12/71; H01R 13/02; H01R 13/74; H05K
7/12; H05K 7/14

See application file for complete search history.

(56) **References Cited**

U.S. PATENT DOCUMENTS

5,234,349 A * 8/1993 Matsuoka H01R 13/22
439/331
D409,143 S * 5/1999 Yoshiura D13/133
6,162,103 A * 12/2000 Ono H01R 13/2421
439/700
D483,330 S * 12/2003 Chen D13/133

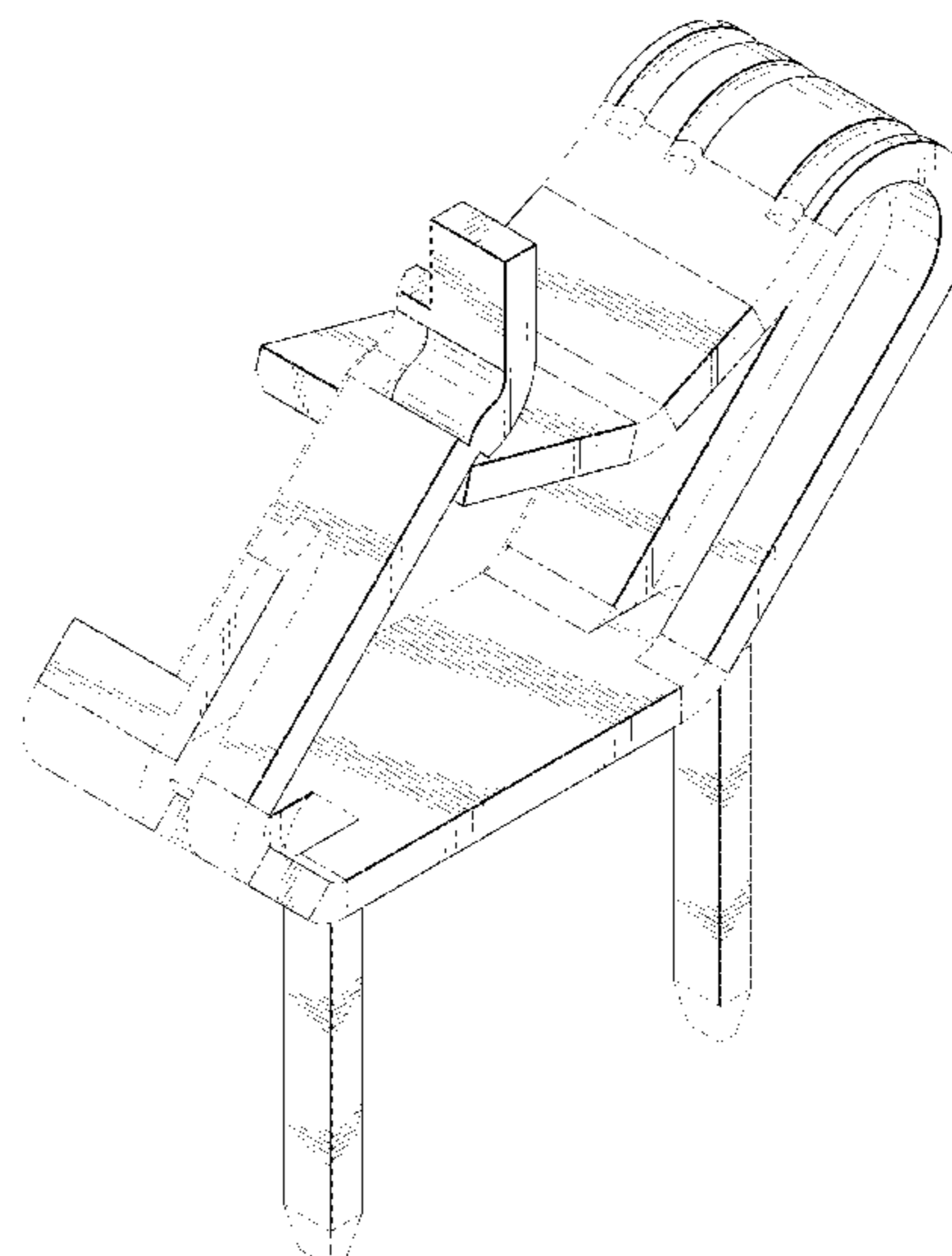
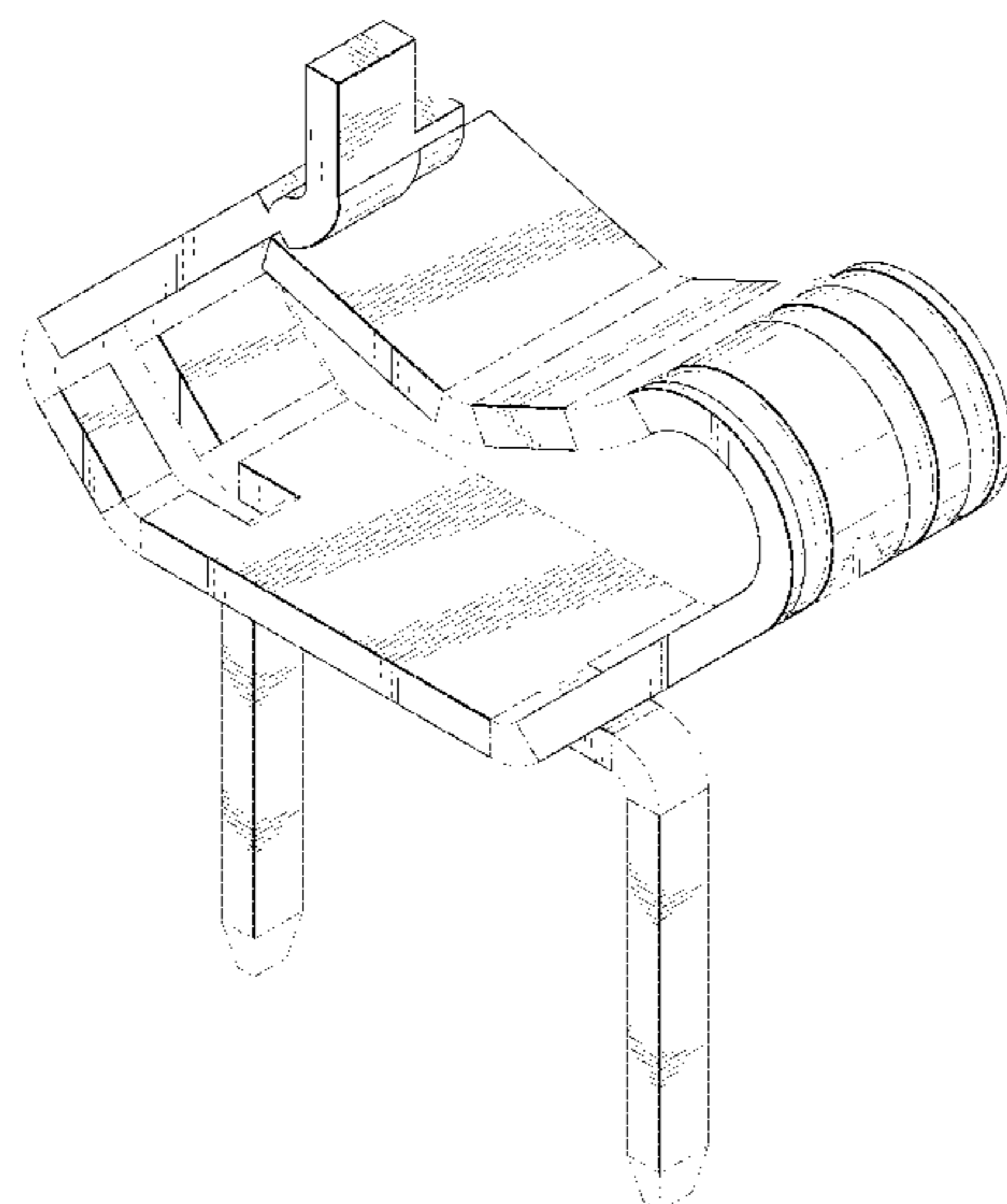
(57) **CLAIM**

The ornamental design for a connection terminal, as shown and described.

DESCRIPTION

FIG. 1 is a perspective view of a connection terminal showing my new design;
FIG. 2 is a front elevational view thereof;
FIG. 3 is a rear elevational view thereof;
FIG. 4 is a left side elevational view thereof;
FIG. 5 is a right side elevational view thereof;
FIG. 6 is a top plan view thereof;
FIG. 7 is a bottom plan view thereof;
FIG. 8 is a perspective view thereof taken from a different angle;
FIG. 9 is a perspective view showing the design being connected to a terminal seat; and,
FIG. 10 is another perspective view showing the designs being connected to two terminal seats.
The dotted broken lines showing the terminal seats are for illustrating environment structure only and form no part of the claimed design, while all other dotted broken lines depict portions of a connection terminal in which the design is embodied that form no part of the claimed design.
The dash-dot broken lines are for defining the bounds of the claimed design only and form no part of the claimed design.

1 Claim, 9 Drawing Sheets



(56)

References Cited

U.S. PATENT DOCUMENTS

D624,017 S * 9/2010 Liu D13/120
D642,981 S * 8/2011 de Bruijn D13/120
D644,177 S * 8/2011 de Bruijn D13/120
8,070,498 B2 * 12/2011 Shen H01R 12/714
439/66
D660,248 S * 5/2012 Zhang D13/154
D660,249 S * 5/2012 Chen D13/154
D704,145 S * 5/2014 Sasano D13/154
D704,666 S * 5/2014 Sasano D13/154
D728,487 S * 5/2015 Chen D13/154
D729,742 S * 5/2015 Wu D13/149
D744,958 S * 12/2015 Chen D13/154
2008/0268690 A1 * 10/2008 Lu H01R 13/2442
439/345
2011/0189902 A1 * 8/2011 Haans H01R 12/57
439/816
2012/0231679 A1 * 9/2012 Zhang H01R 13/26
439/884
2015/0038001 A1 * 2/2015 Kiryu H01R 12/714
439/370
2017/0069978 A1 * 3/2017 Giefers H01R 4/4809

* cited by examiner

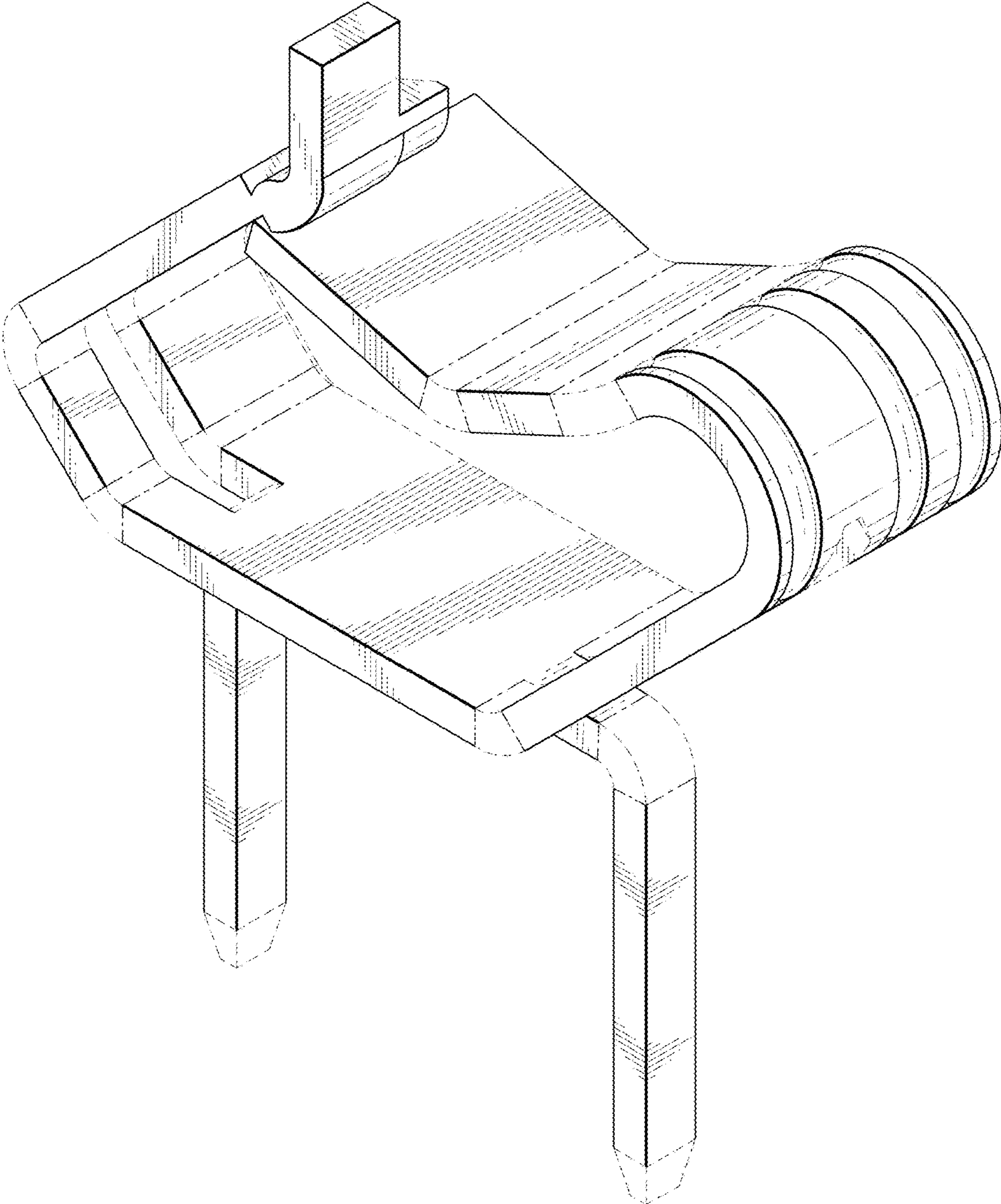


FIG.1

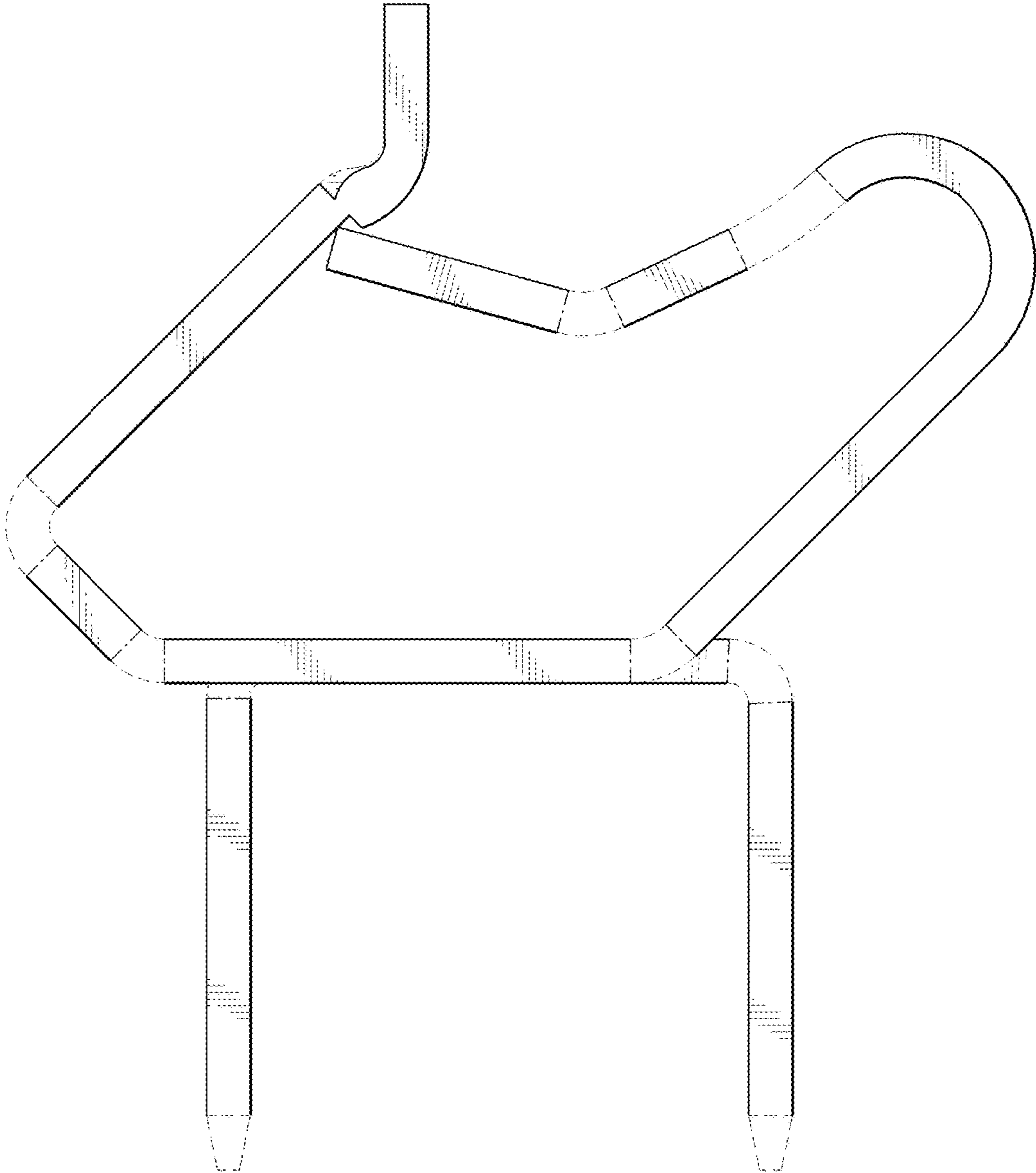


FIG.2

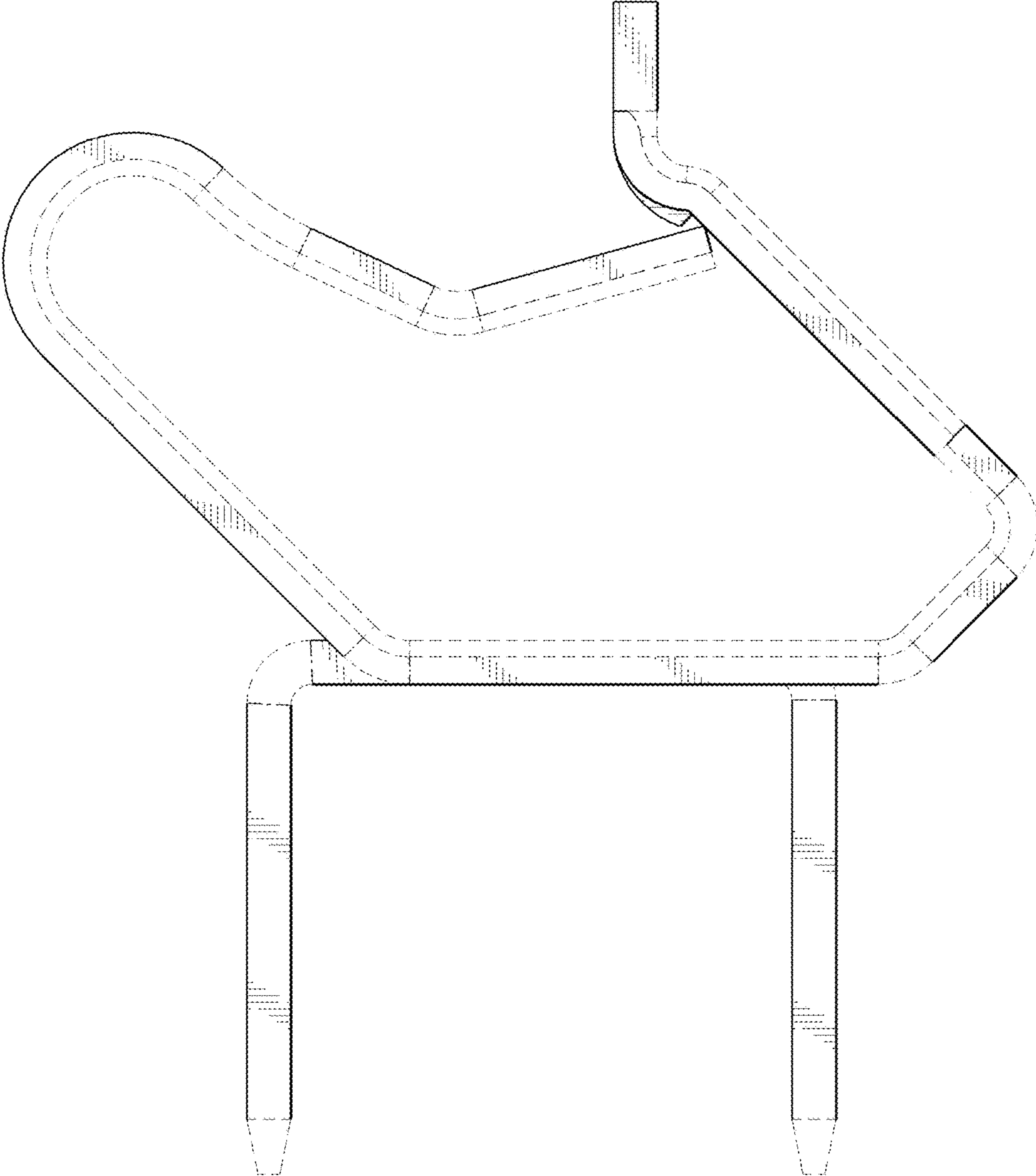


FIG.3

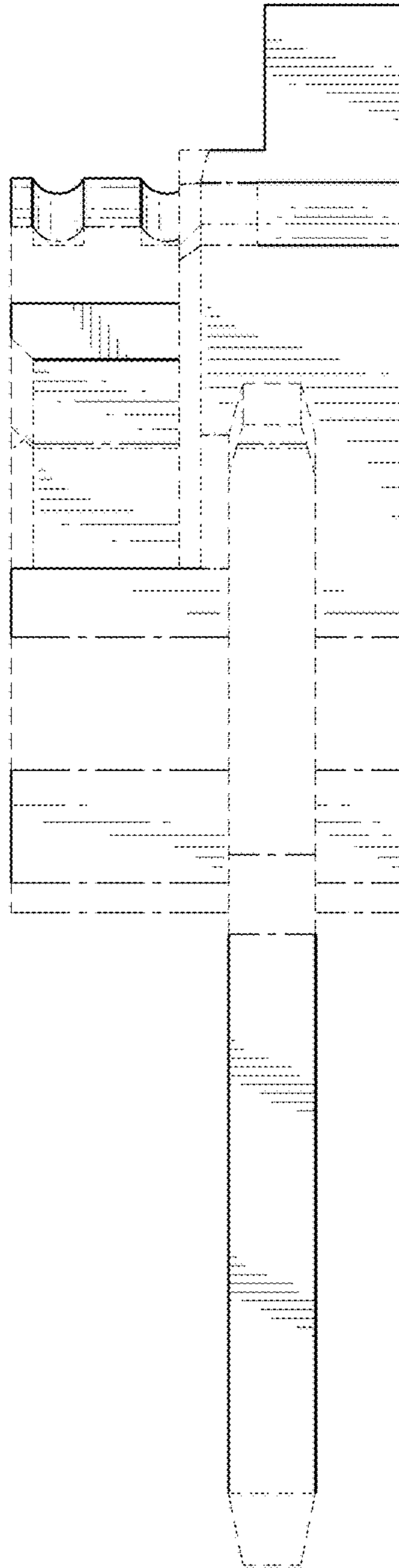


FIG. 4

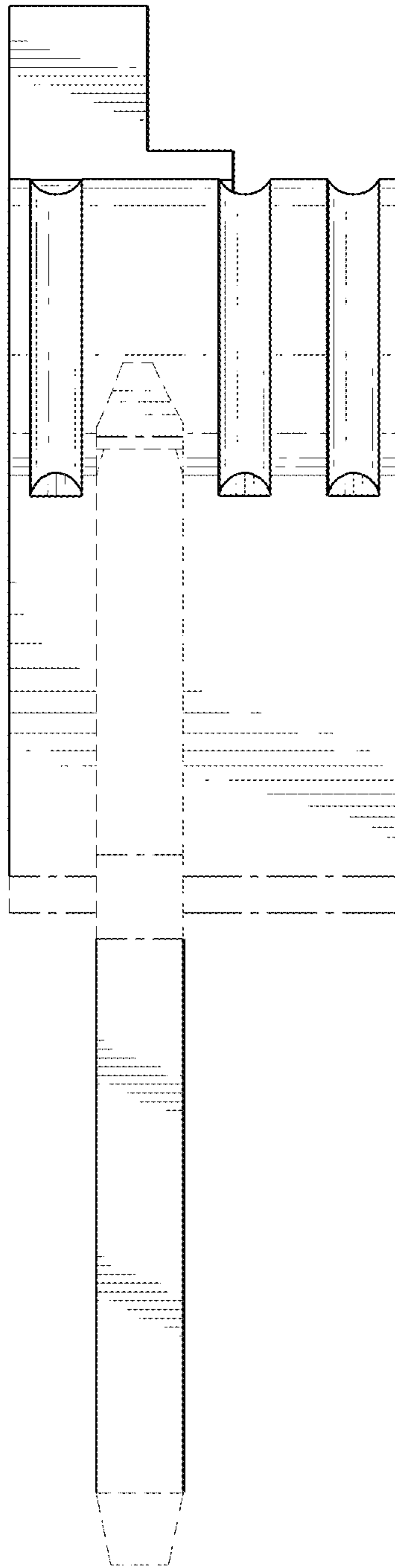


FIG. 5

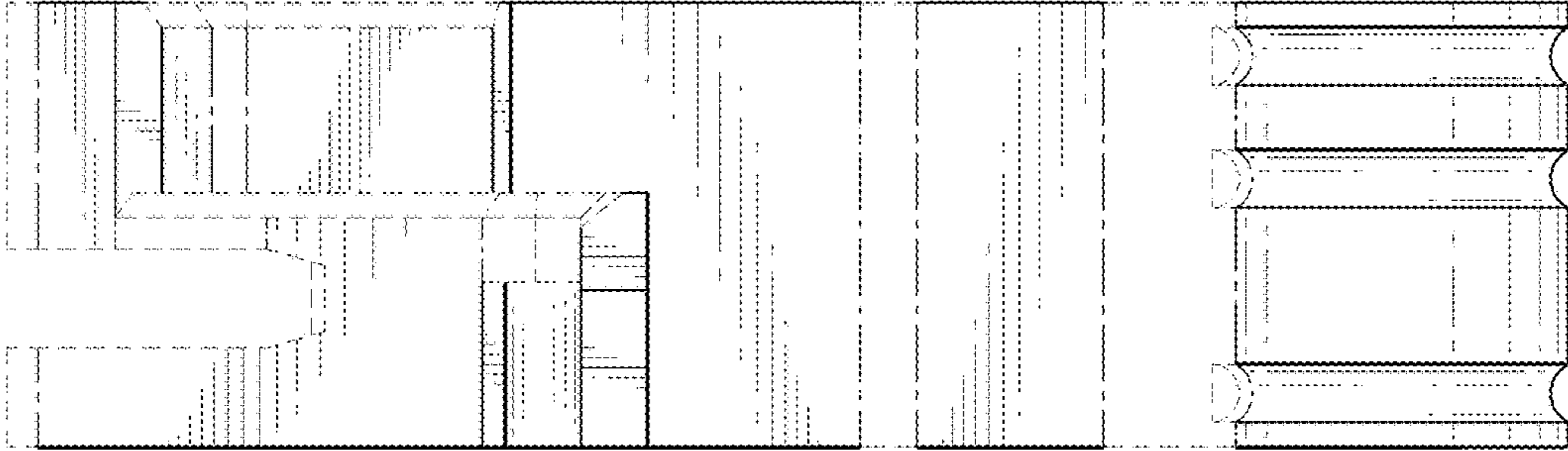


FIG. 6

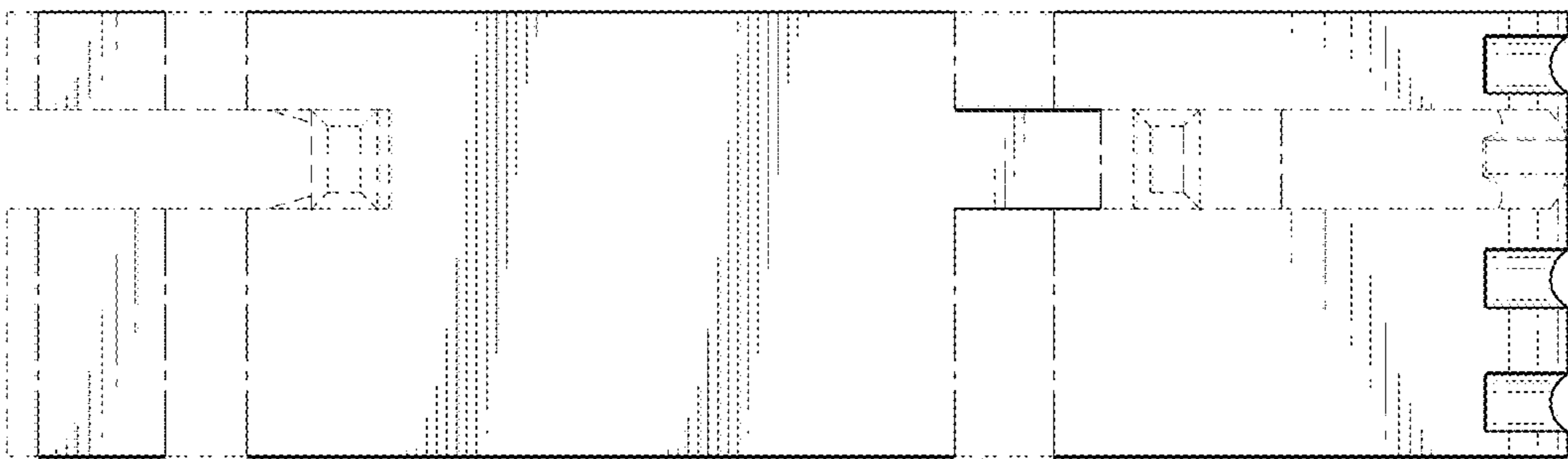


FIG. 7

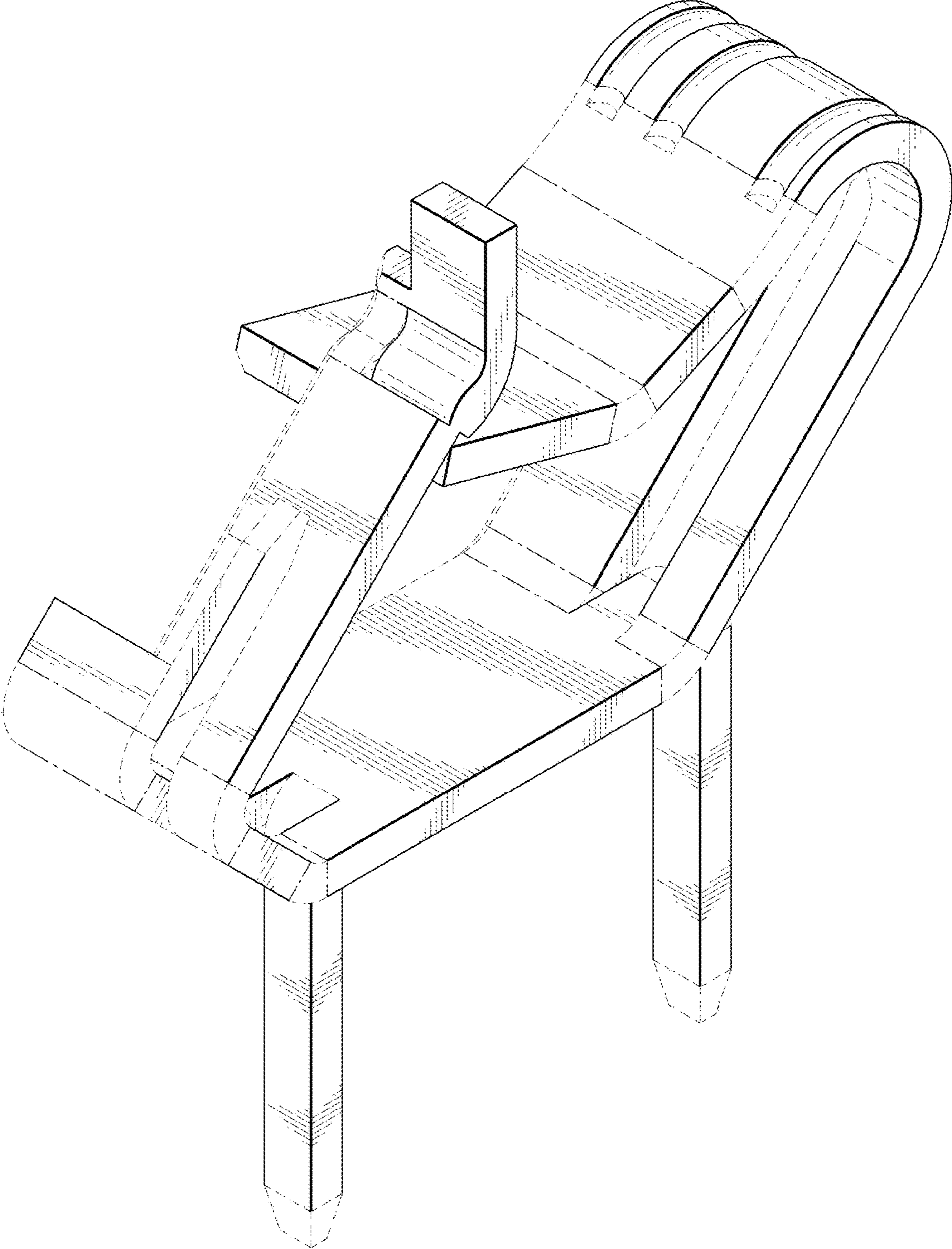


FIG.8

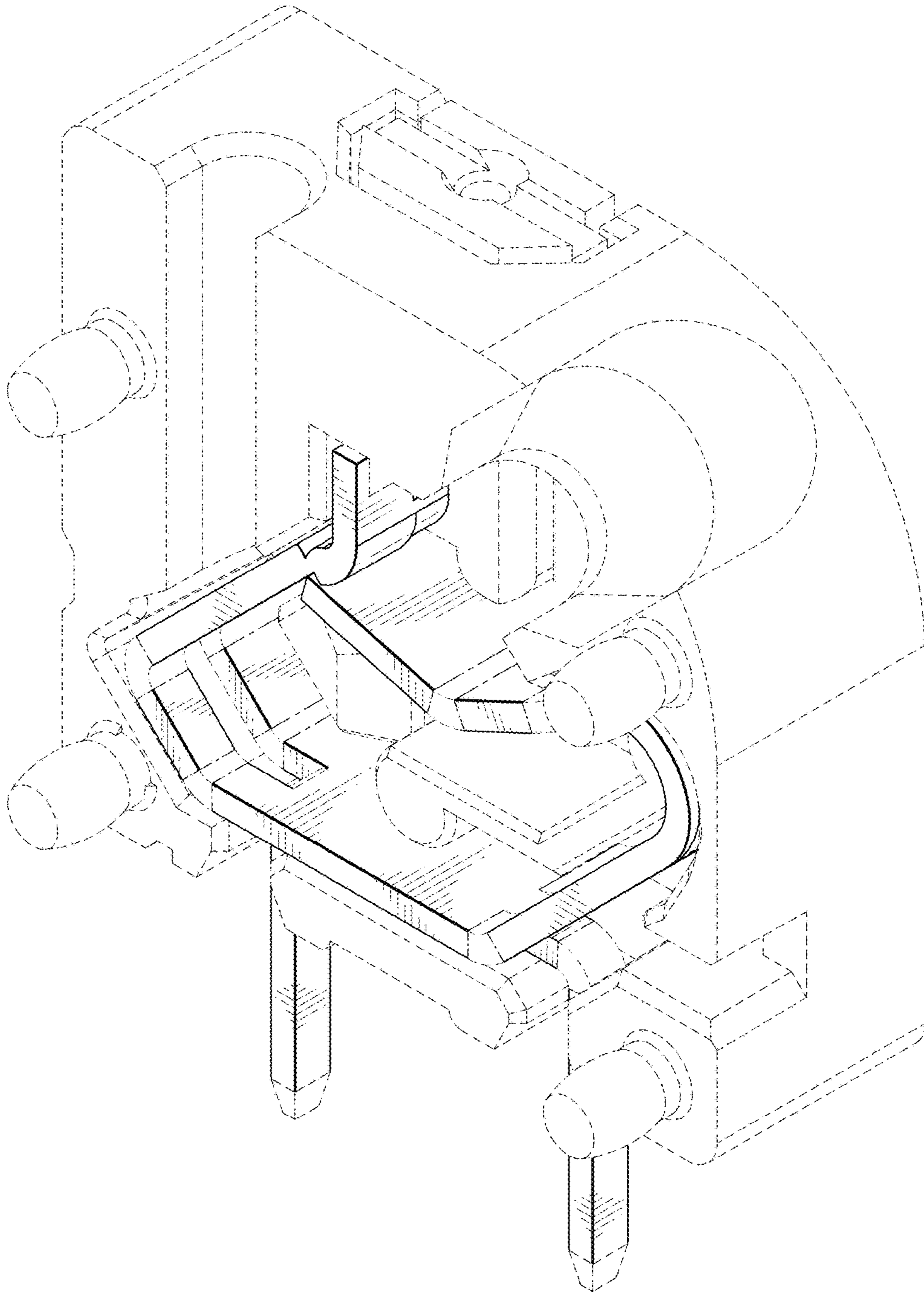


FIG.9

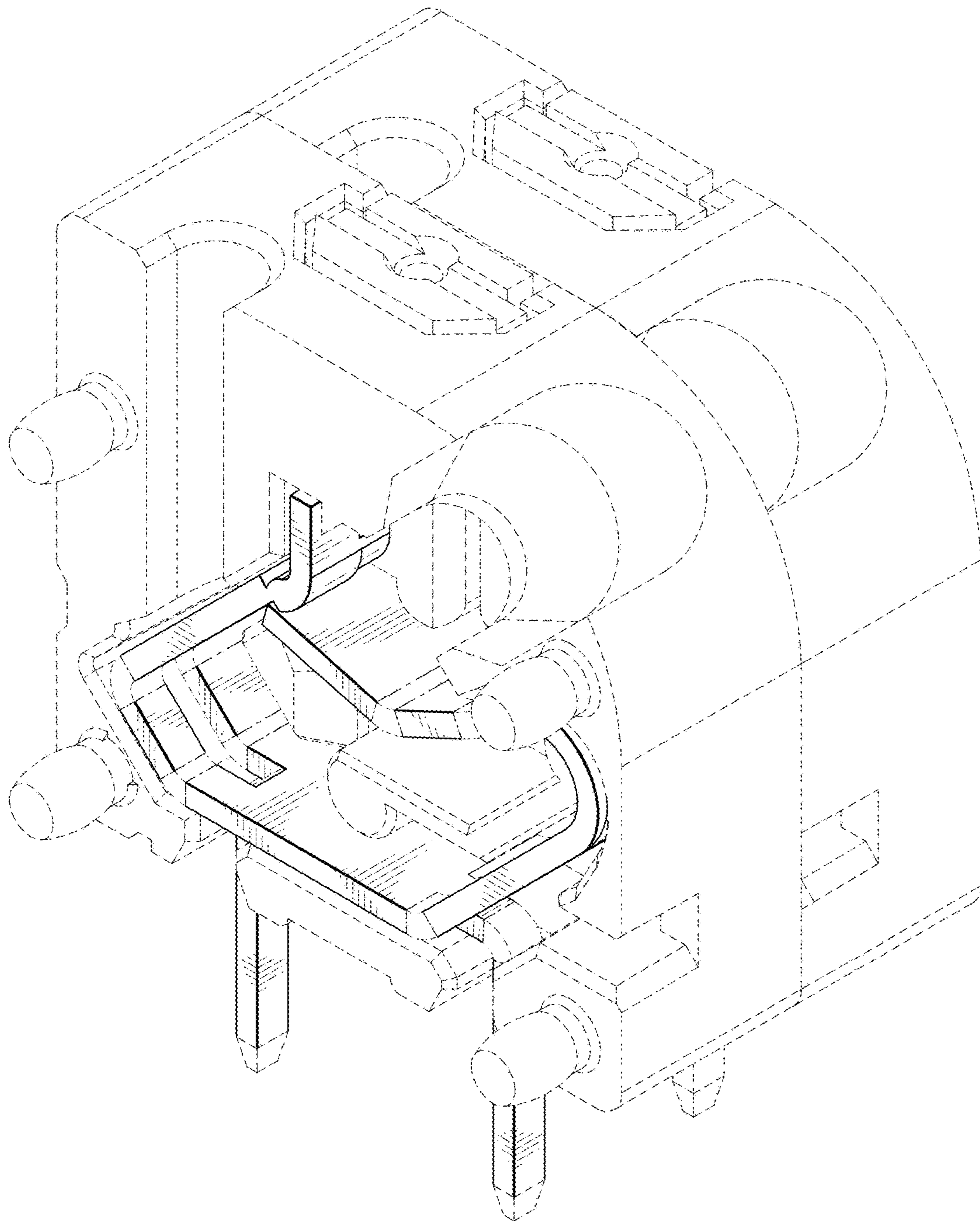


FIG.10