

US00D830304S

(12) **United States Design Patent** (10) **Patent No.:** **US D830,304 S**
Choi (45) **Date of Patent:** **** Oct. 9, 2018**

(54) **OPTICAL CONNECTOR FOR OPTICAL FIBER**

(71) Applicant: **A.J. World Co., Ltd.**, Seoul (KR)

(72) Inventor: **An Joon Choi**, Seoul (KR)

(73) Assignee: **A. J. World Co., Ltd.**, Seoul (KR)

(**) Term: **15 Years**

(21) Appl. No.: **29/545,990**

(22) Filed: **Nov. 18, 2015**

(30) **Foreign Application Priority Data**

Jun. 23, 2015 (KR) 30-2015-0031643

(51) **LOC (11) Cl.** **13-03**

(52) **U.S. Cl.**
USPC **D13/133**

(58) **Field of Classification Search**
USPC D13/110, 118, 123, 133, 134,
D13/137.1-137.4, 138.1, 138.2, 139.1,
D13/139.7, 144-147, 149, 15, 156, 173,
D13/184, 199

CPC ... H01B 7/00; H01R 9/00; H01R 9/05; H01R
9/24; H01R 13/00; H01R 13/44; H01R
13/62; G02B 6/36; G02B 6/38; G02B
6/04

See application file for complete search history.

(56) **References Cited**

U.S. PATENT DOCUMENTS

- 6,565,262 B2* 5/2003 Childers G02B 6/3869
385/76
- 7,658,551 B1* 2/2010 Wu G02B 6/3887
385/78
- D619,100 S* 7/2010 Larson D13/154
- 8,221,007 B2* 7/2012 Peterhans 385/53
- 9,146,364 B2* 9/2015 Chen G02B 6/387
- D783,618 S* 4/2017 Wu D13/133
- 9,618,703 B2* 4/2017 Lizumi G02B 6/3857

- 2004/0202431 A1* 10/2004 Bates, III G02B 6/3893
385/78
- 2009/0269014 A1* 10/2009 Winberg G02B 6/3846
385/78
- 2010/0284656 A1* 11/2010 Morra G02B 6/3829
385/78
- 2011/0243506 A1* 10/2011 Hsu G02B 6/3869
385/76
- 2012/0027360 A1* 2/2012 Larson G02B 6/3818
385/78
- 2013/0051734 A1* 2/2013 Shen G02B 6/3869
385/78

(Continued)

OTHER PUBLICATIONS

Field Assembly Optical Connector, dated Oct. 14, 2016, [online], [site visited Mar. 1, 2017]. Available from Internet, <URL: <http://ajw.co.kr/portfolio-item/field-assembly-optical-connector/>>.*

Primary Examiner — Thomas Johannes
Assistant Examiner — Shawn T Gingrich

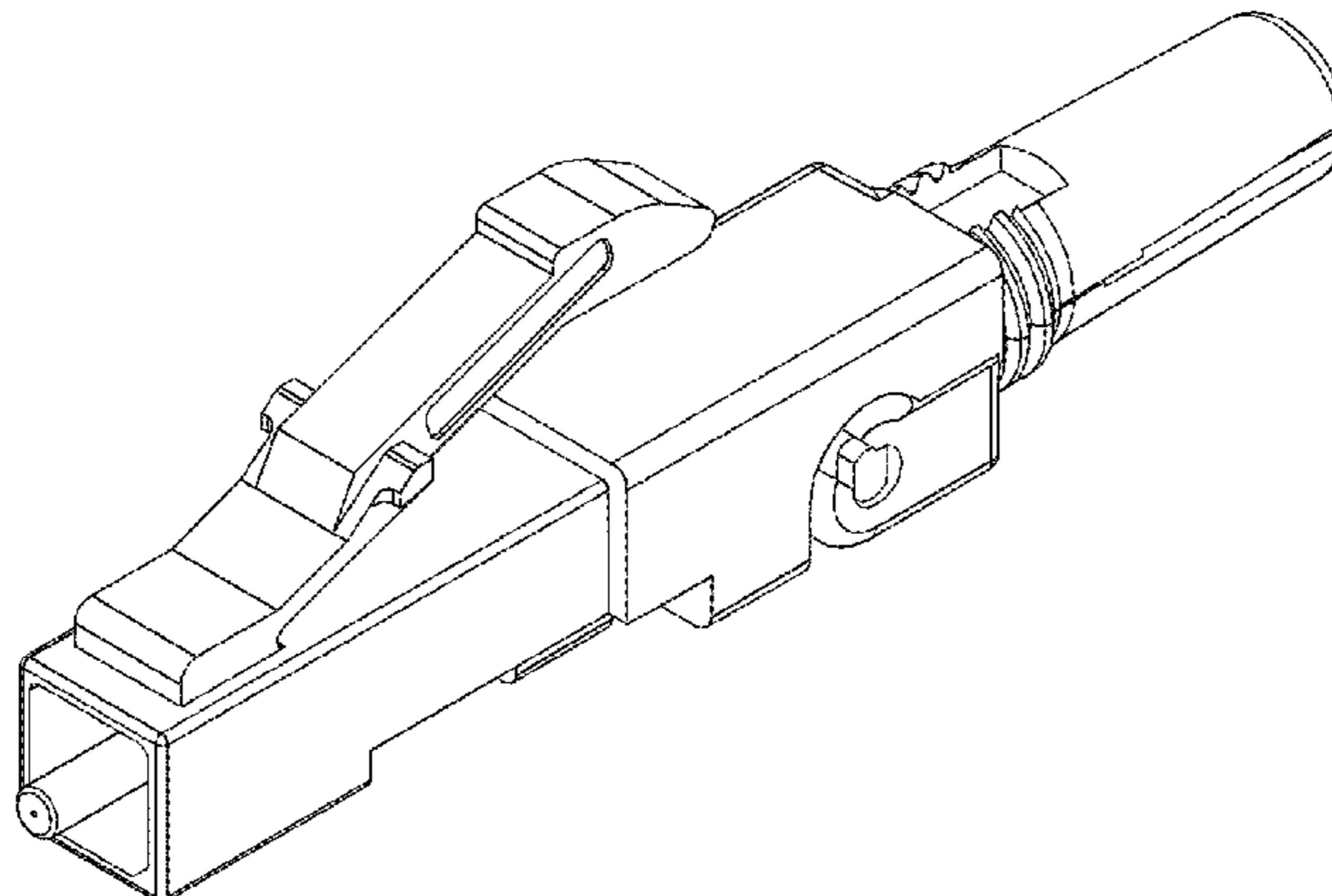
(57) **CLAIM**

The ornamental design for an optical connector for optical fiber, as shown and described.

DESCRIPTION

FIG. 1 is a perspective view of an optical connector for optical fiber;
FIG. 2 is a front view thereof;
FIG. 3 is a rear view thereof;
FIG. 4 is a left view thereof;
FIG. 5 is a right view thereof;
FIG. 6 is a top view thereof;
FIG. 7 is a bottom view thereof; and,
FIG. 8 is a perspective view showing the design together with a screw cap and an optical cable.
The broken lines portion of the figure drawings is included to show portions of the article that forms no part of the claimed design.

1 Claim, 8 Drawing Sheets



(56)

References Cited

U.S. PATENT DOCUMENTS

2015/0049989 A1* 2/2015 Yoshizaki G02B 6/3825
385/78
2015/0268424 A1* 9/2015 Koreeda G02B 6/4292
385/60
2015/0331202 A1* 11/2015 Rosson G02B 6/3826
156/66
2016/0231512 A1* 8/2016 Seki G02B 6/3893

* cited by examiner

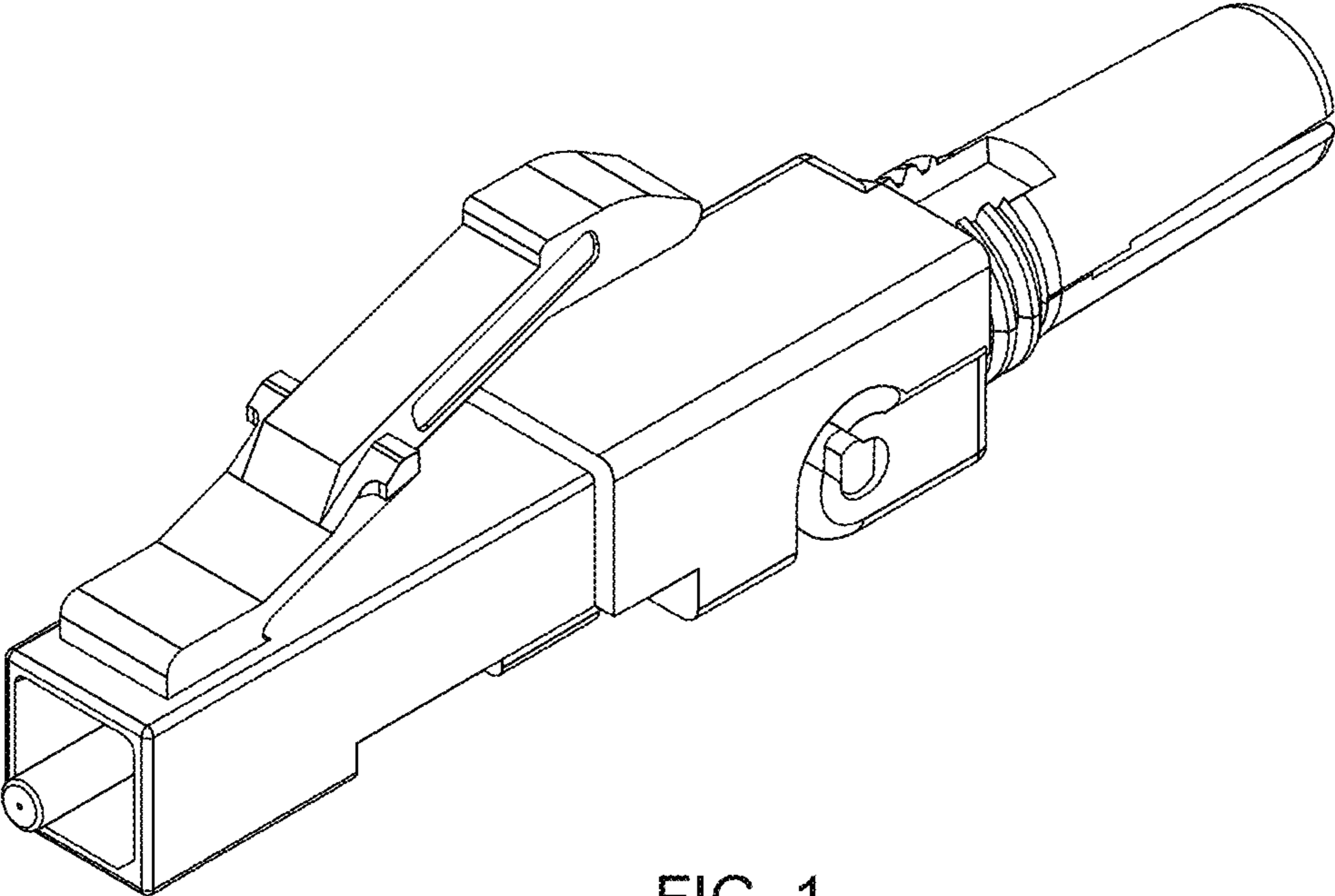


FIG. 1

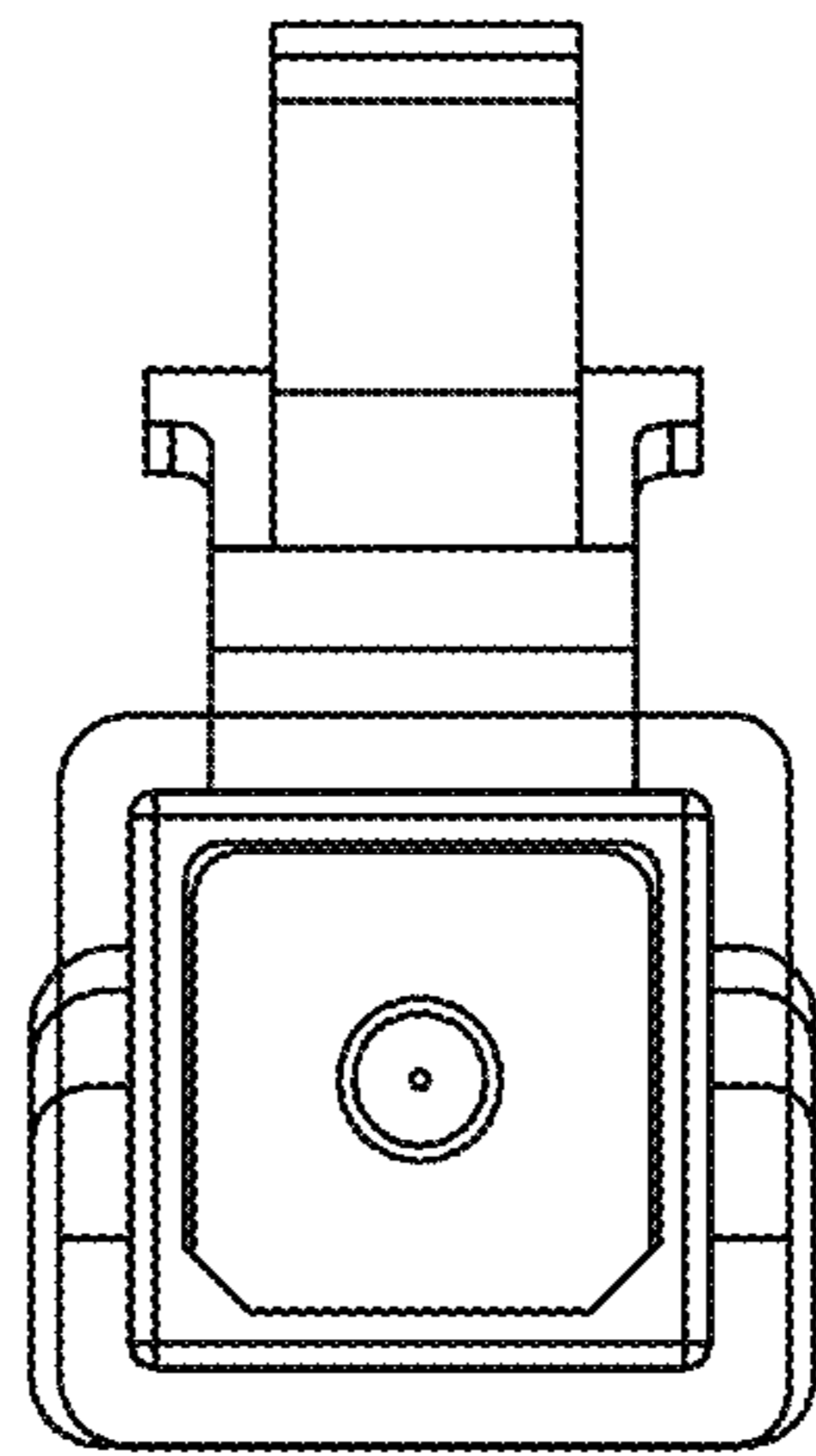


FIG. 2

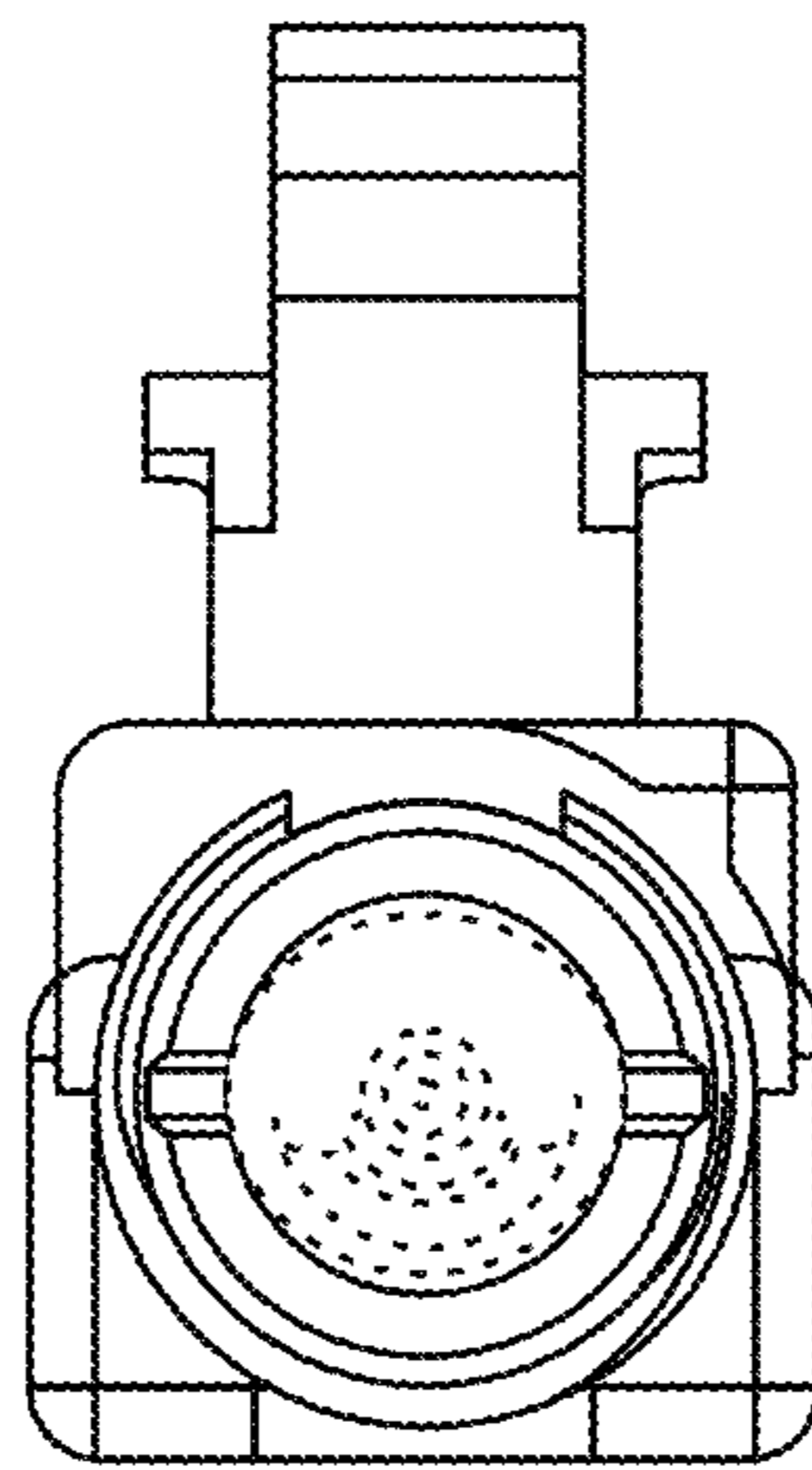


FIG. 3

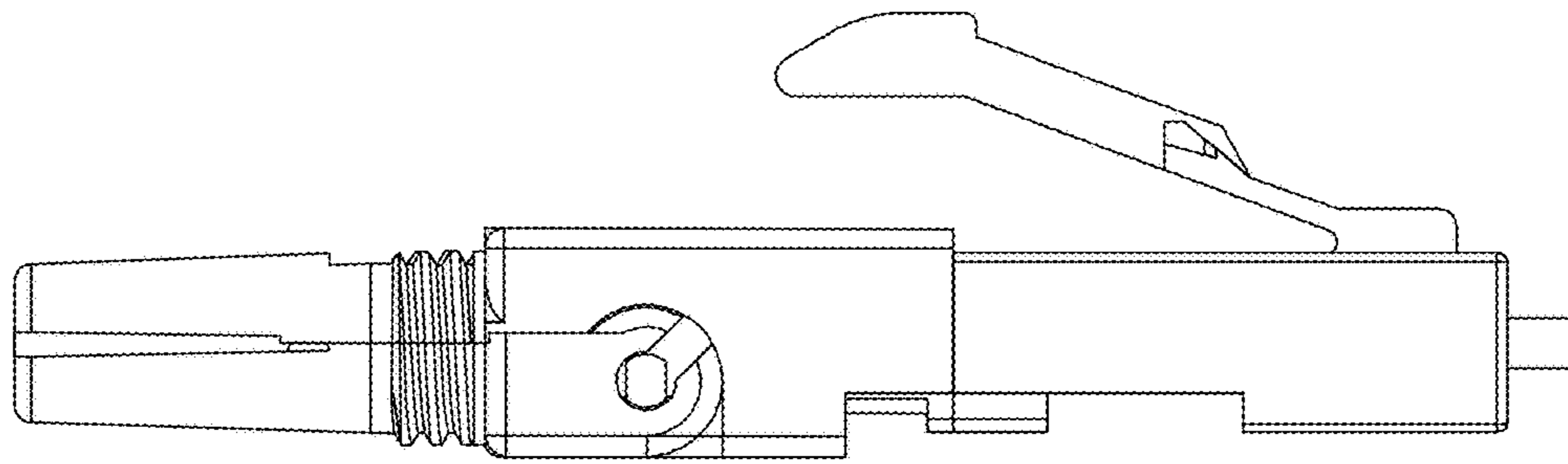


FIG. 4

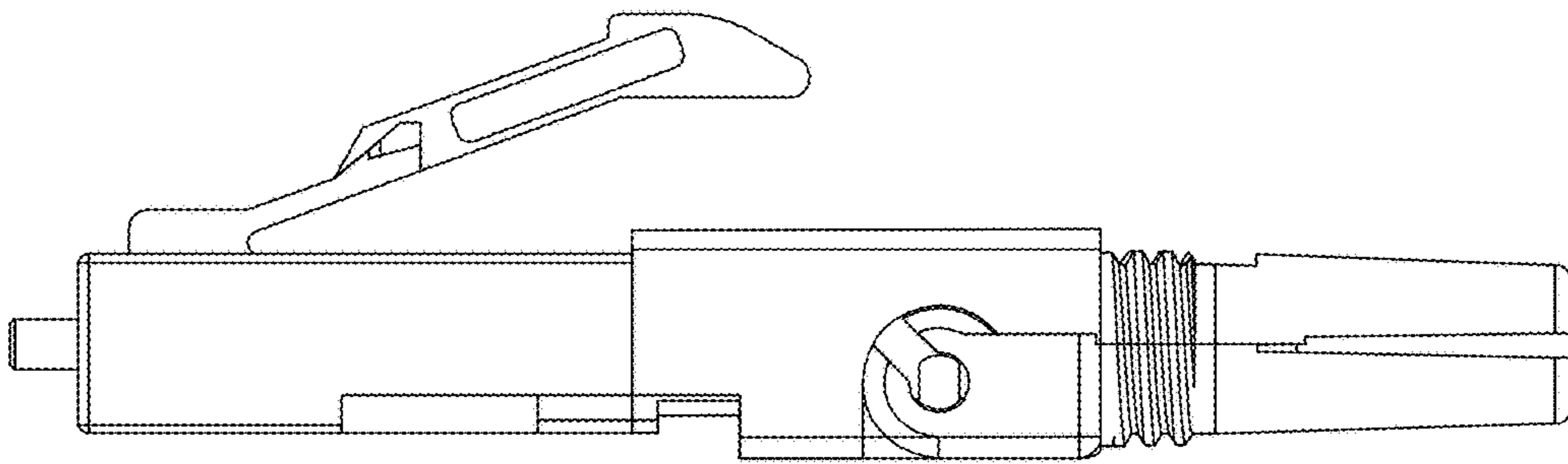


FIG. 5

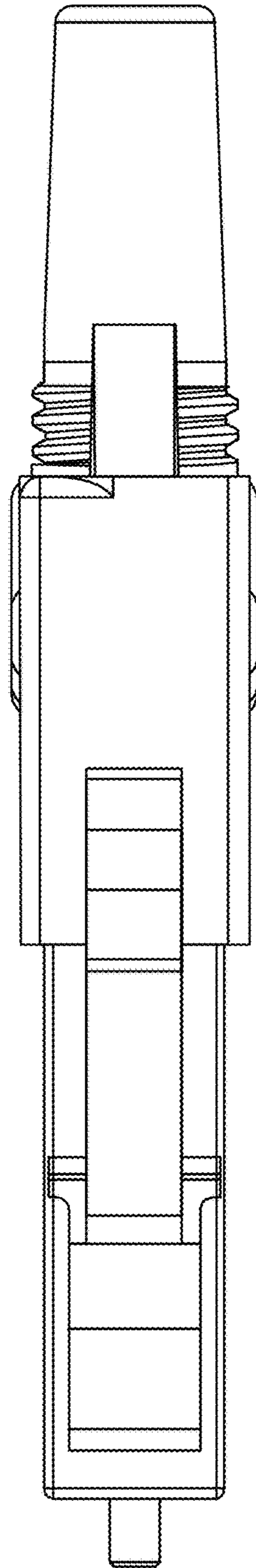


FIG. 6

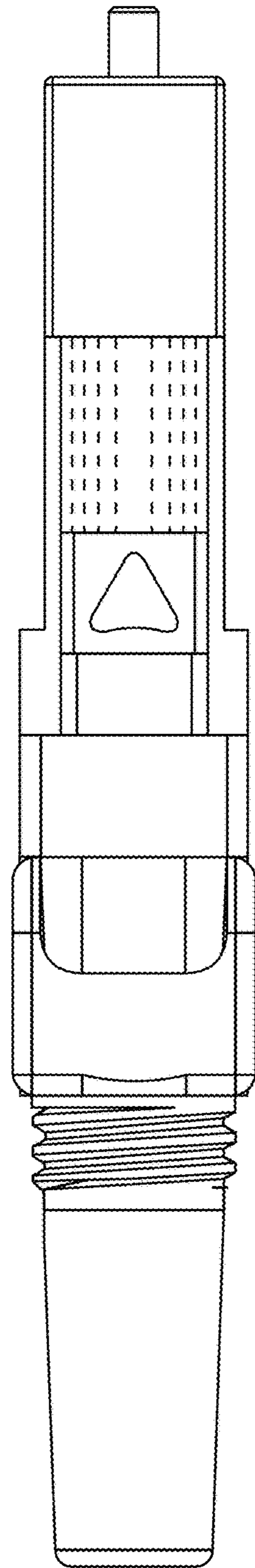


FIG. 7

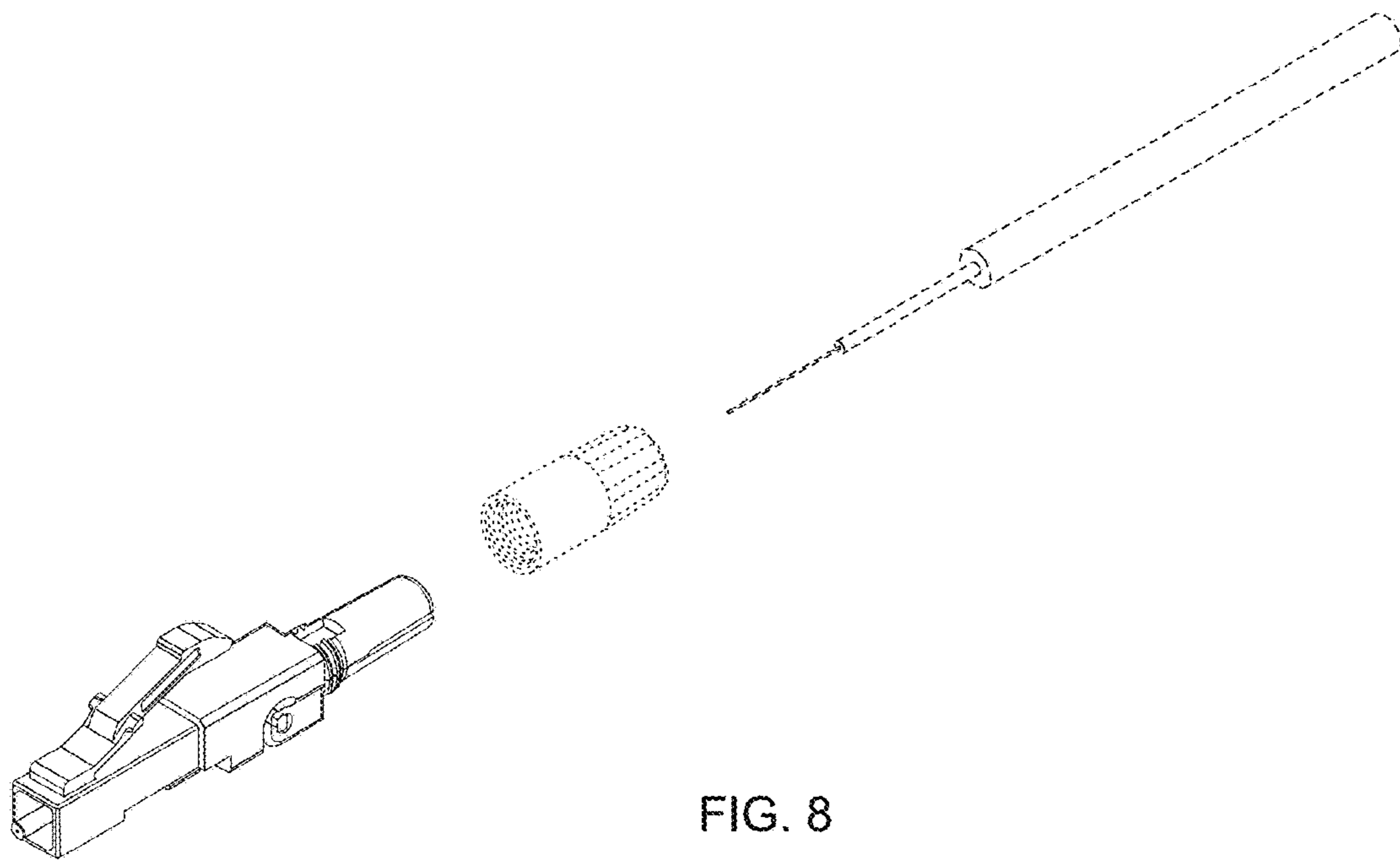


FIG. 8