



US00D830302S

(12) **United States Design Patent** (10) **Patent No.:** **US D830,302 S**
Toscani et al. (45) **Date of Patent:** **** Oct. 9, 2018**

(54) **JUMPER CLAMP**

(71) Applicants: **Gerard M Toscani**, Moorestown, NJ (US); **Michael Creighton**, Warrington, PA (US)

(72) Inventors: **Gerard M Toscani**, Moorestown, NJ (US); **Michael Creighton**, Warrington, PA (US)

(73) Assignee: **Paris Business Products, Inc.**, Westampton, NJ (US)

(**) Term: **15 Years**

(21) Appl. No.: **29/607,438**

(22) Filed: **Jun. 13, 2017**

(51) **LOC (11) Cl.** **13-03**

(52) **U.S. Cl.**

USPC **D13/120**

(58) **Field of Classification Search**

USPC D13/102-106, 110, 119-121, 184, 199; 429/163, 176; 439/504; D8/395

CPC H01R 11/24; H01R 11/281; H01R 11/286
See application file for complete search history.

(56) **References Cited**

U.S. PATENT DOCUMENTS

D55,524 S *	6/1920	Mueller	D8/395
1,492,657 A *	5/1924	Walker	H01R 11/24
				439/224
3,737,832 A *	6/1973	Anderson	H01R 4/64
				439/822
D249,927 S *	10/1978	Takahashi	47/6
D258,818 S *	4/1981	Johnson	D13/120
4,463,402 A *	7/1984	Cottrell	H02J 7/0034
				320/105
D346,149 S *	4/1994	Deering	D13/120
D408,785 S *	4/1999	Davis	D13/120

D512,374 S *	12/2005	Kuelbs	D13/120
D537,328 S *	2/2007	Votel	D8/395
D622,584 S *	8/2010	Byron	D8/395
D738,825 S *	9/2015	Nook	D13/120
2017/0054232 A1 *	2/2017	Toscani	H01R 11/24

* cited by examiner

Primary Examiner — Derrick Holland

Assistant Examiner — Jennifer O King

(74) *Attorney, Agent, or Firm* — Stuart M. Goldstein

(57) **CLAIM**

The ornamental design for a jumper clamp, as shown and described.

DESCRIPTION

FIG. 1 is a top perspective view of a jumper clamp showing our new design.

FIG. 2 is a bottom perspective view of the jumper clamp of the present invention.

FIG. 3 is an elevation view of the jumper clamp of the present invention.

FIG. 4 is the opposite elevation view of the jumper clamp of the present invention.

FIG. 5 is a top view of the jumper clamp of the present invention.

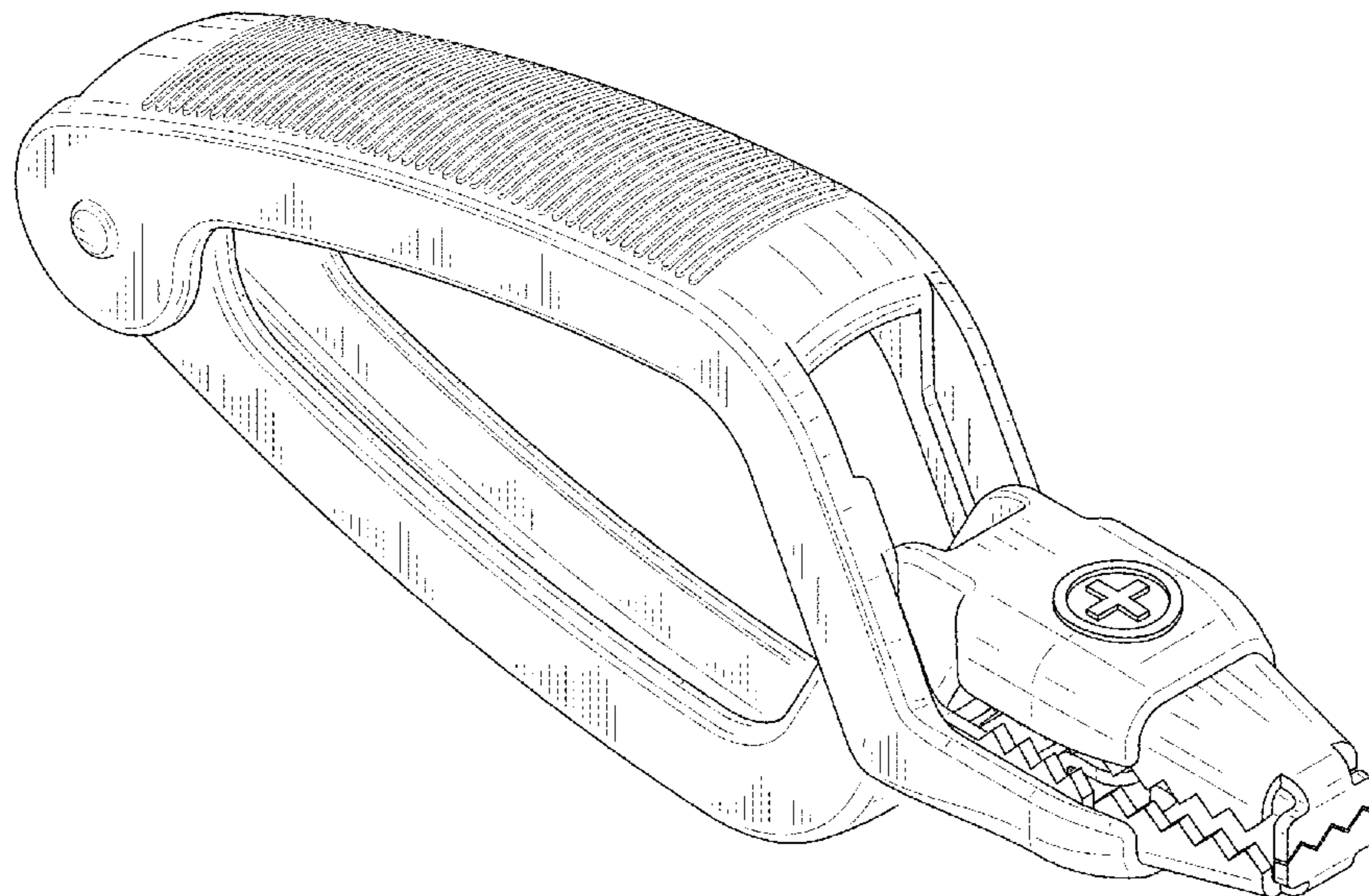
FIG. 6 is a bottom view of the jumper clamp of the present invention.

FIG. 7 is a rear view of the jumper clamp of the present invention; and,

FIG. 8 is a front view of the jumper clamp of the present invention.

The broken lines shown represent portions of the jumper clamp that form no part of the claimed design.

1 Claim, 6 Drawing Sheets



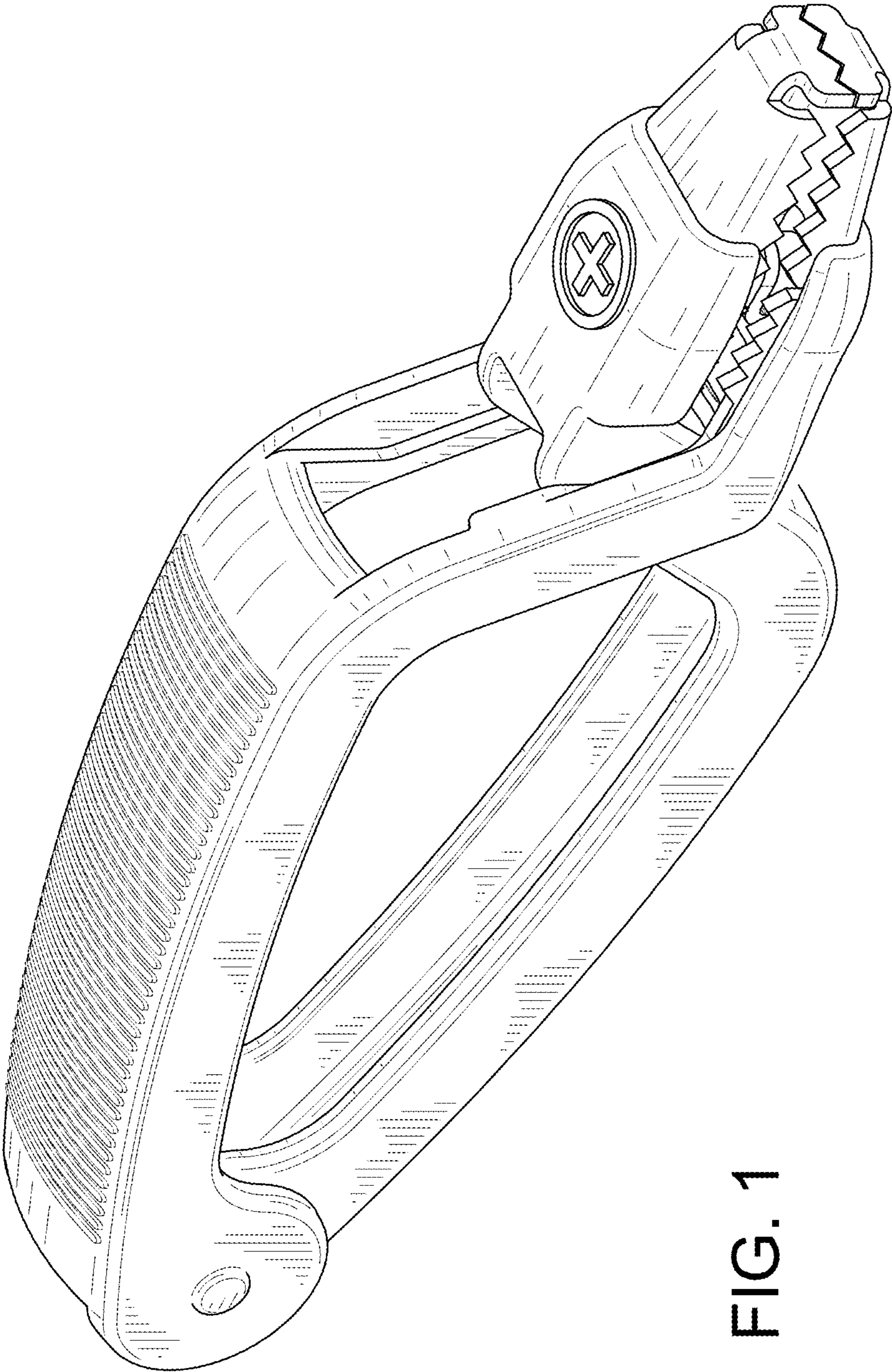


FIG. 1

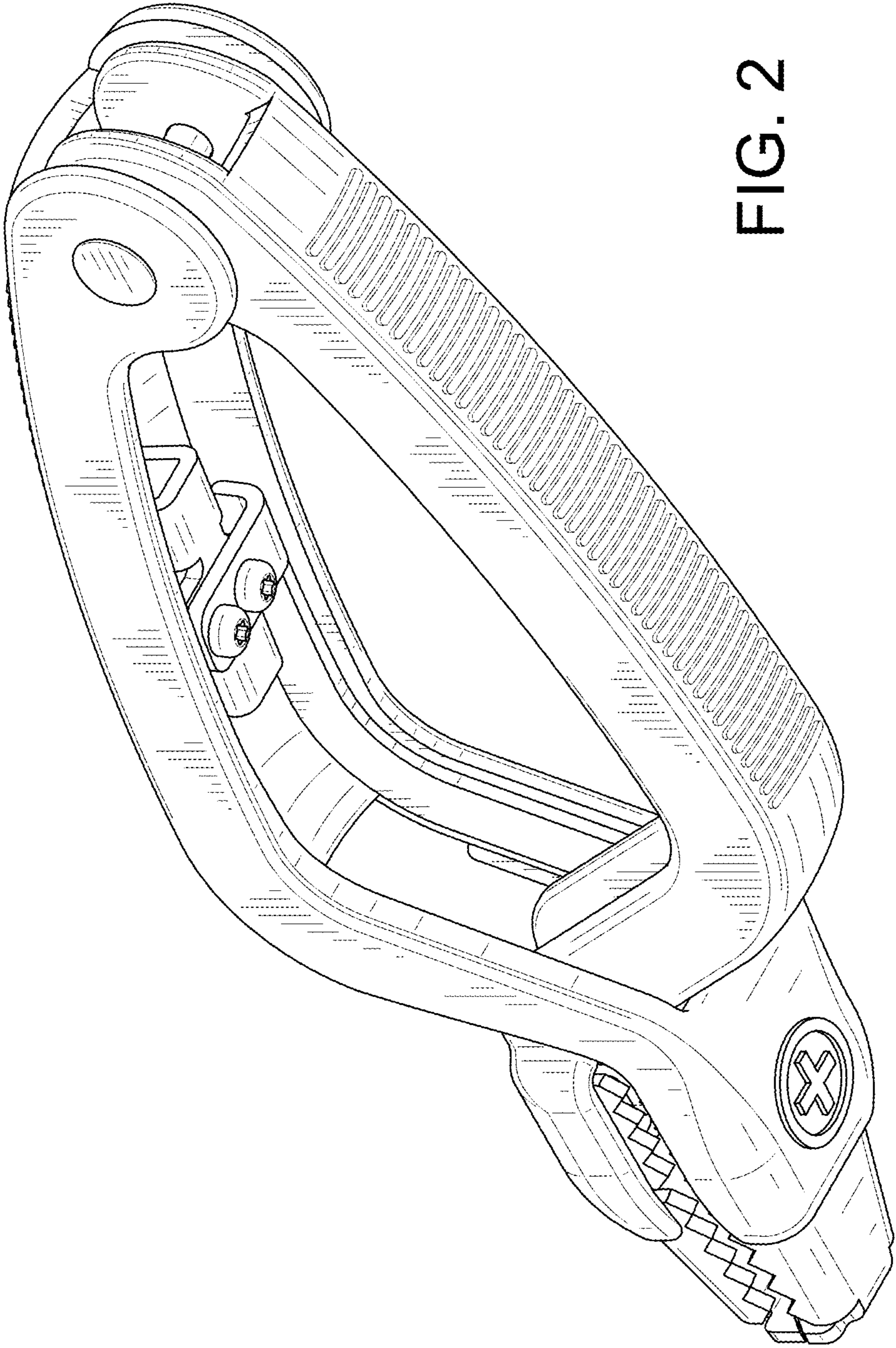


FIG. 2

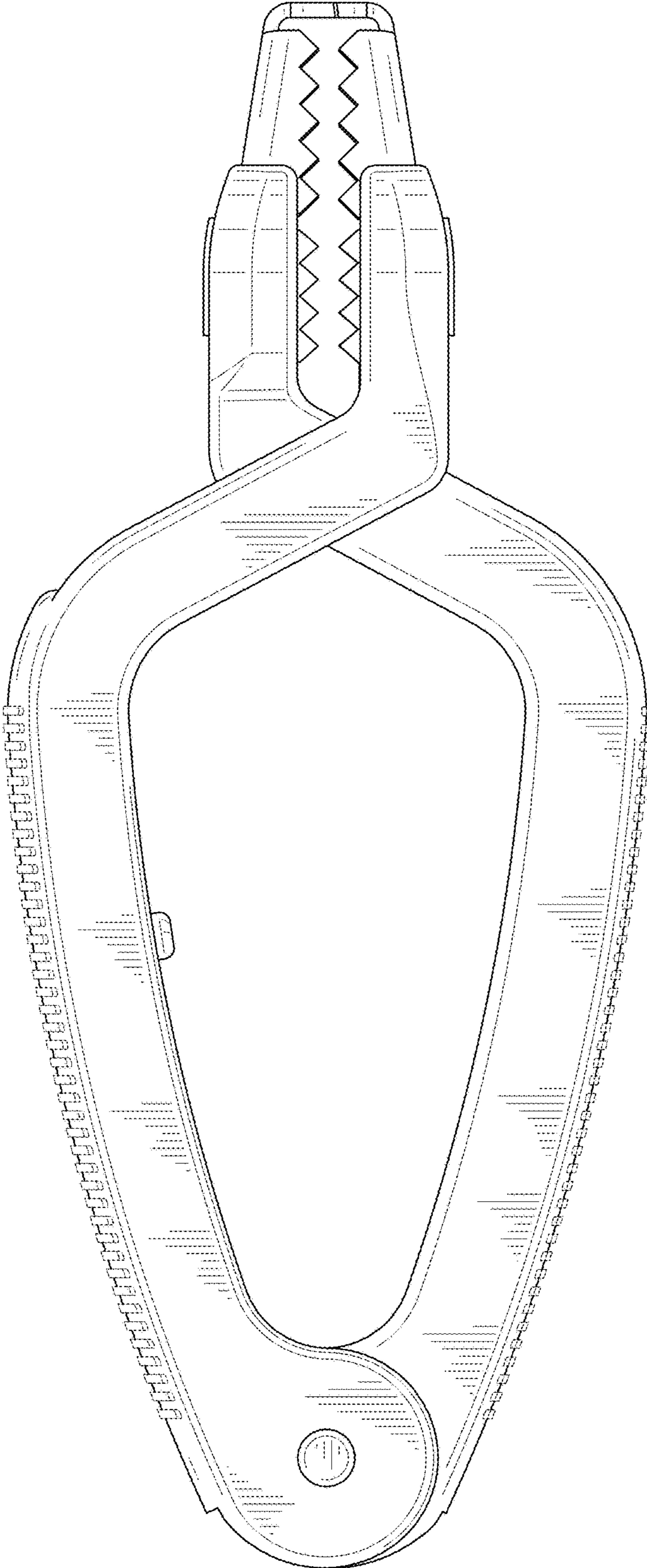


FIG. 3

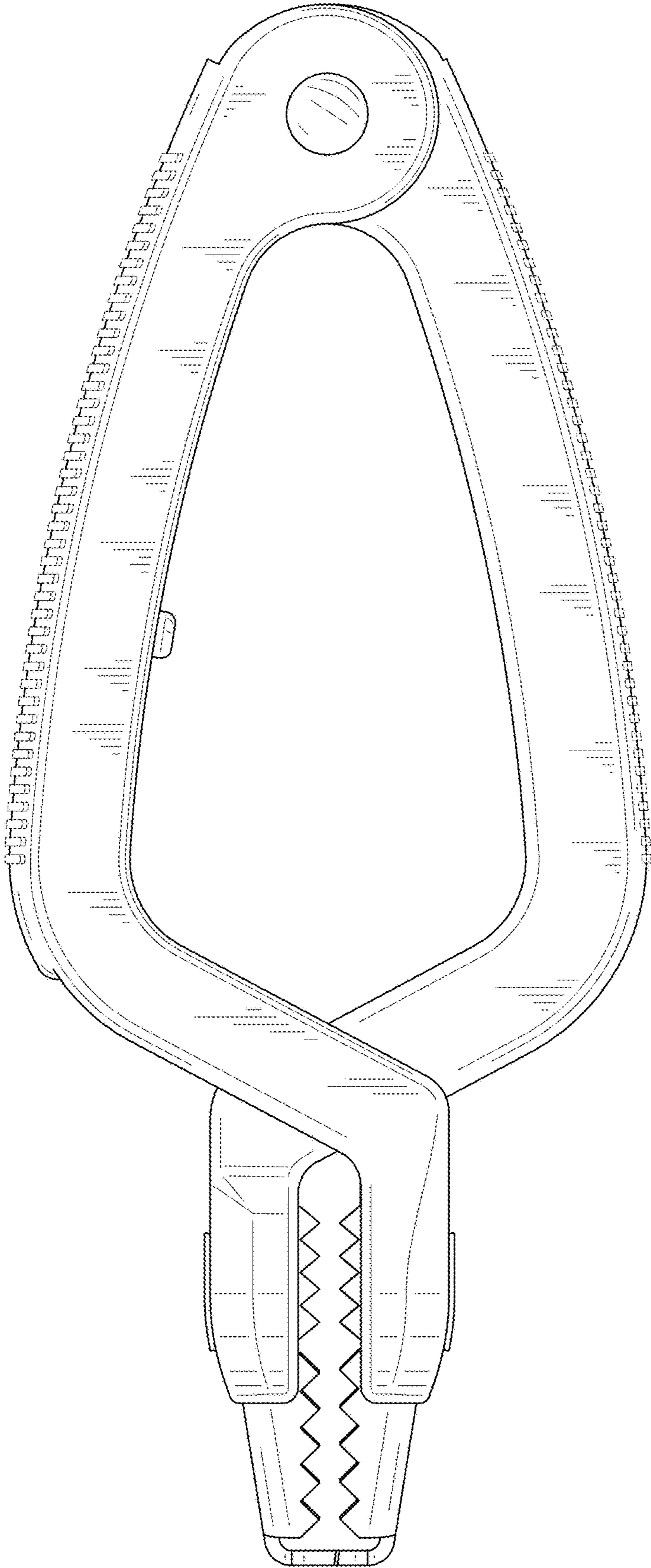


FIG. 4

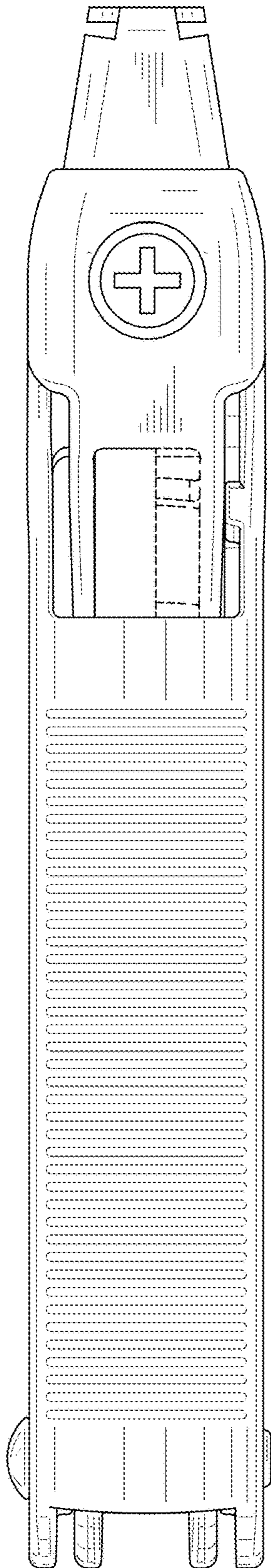


FIG. 5

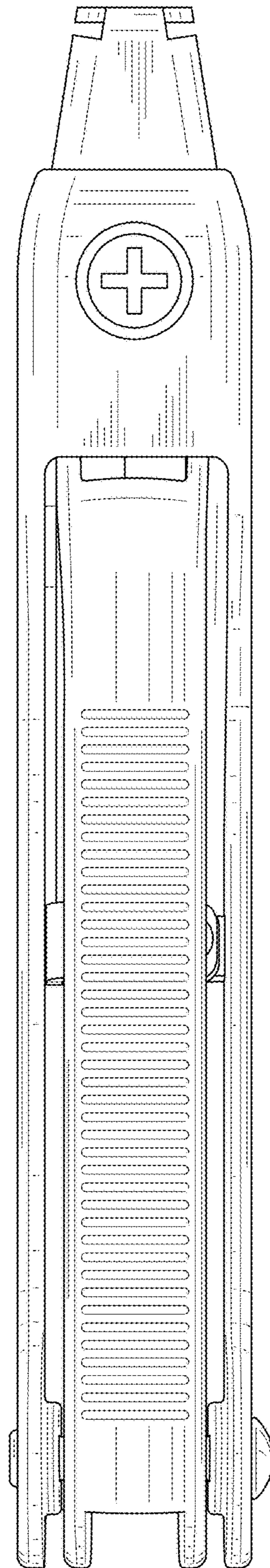


FIG. 6

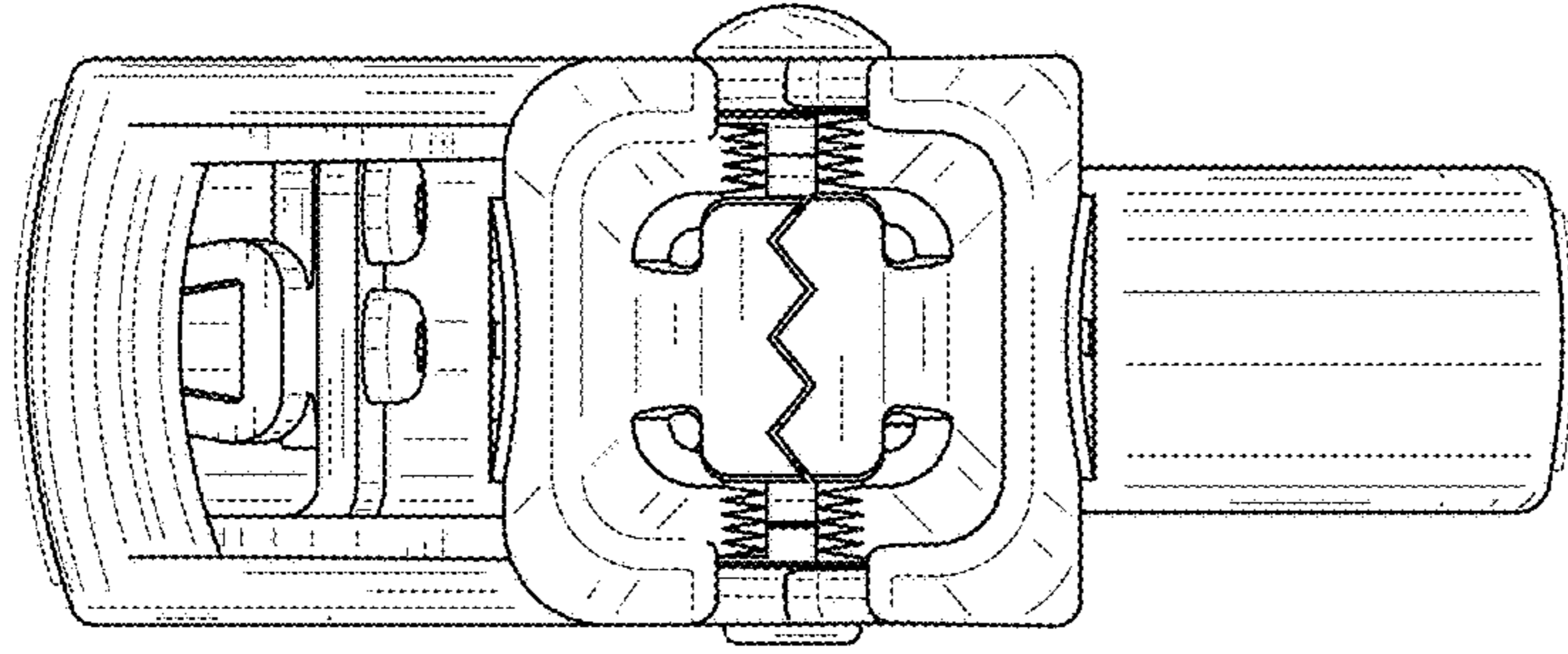


FIG. 8

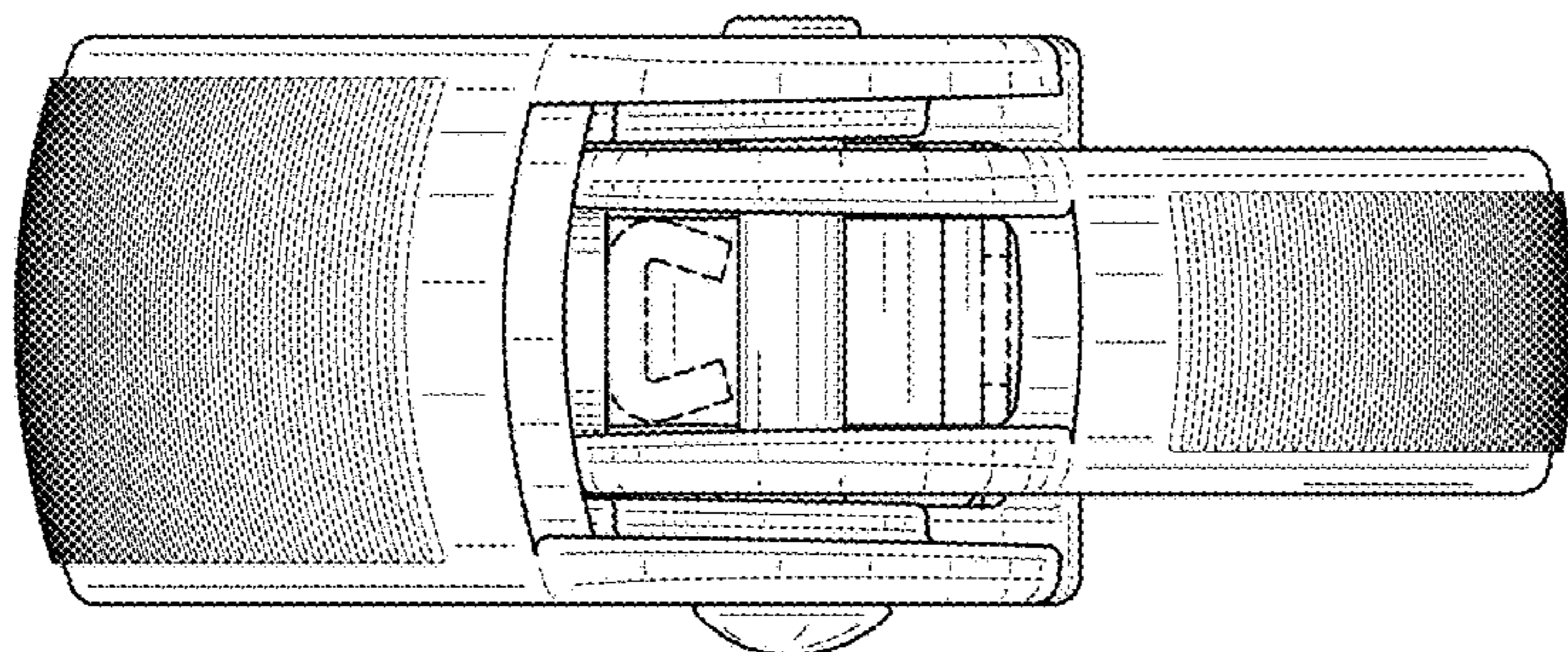


FIG. 7