



US00D830298S

(12) **United States Design Patent** (10) **Patent No.:** **US D830,298 S**
Bailey et al. (45) **Date of Patent:** **** Oct. 9, 2018**

(54) **USB CHARGING CONNECTOR FOR ELECTRONIC VAPORIZER**

(71) Applicant: **Altria Client Services LLC**,
Richmond, VA (US)

(72) Inventors: **Ryan A. Bailey**, Richmond, VA (US);
Charles Dendy, Richmond, VA (US)

(73) Assignee: **ALTRIA CLIENT SERVICES LLC**,
Richmond, VA (US)

(**) Term: **15 Years**

(21) Appl. No.: **29/572,678**

(22) Filed: **Jul. 29, 2016**

(51) **LOC (11) Cl.** **13-02**

(52) **U.S. Cl.**
USPC **D13/108; D27/194**

(58) **Field of Classification Search**
USPC D13/107-110, 118-119, 184; D14/251,
D14/253, 432, 434; D27/194
(Continued)

(56) **References Cited**

U.S. PATENT DOCUMENTS

D541,797 S * 5/2007 Chen D14/480.3
D610,157 S * 2/2010 Ma D14/480.6
(Continued)

FOREIGN PATENT DOCUMENTS

CN 201094280 Y 8/2008
JP 2012090427 A 5/2012
WO WO-2015127429 A1 8/2015

OTHER PUBLICATIONS

“Electronic Cigarette USB Charging Cable ego charger works with EGO series battery” Zainy.net, <http://zainy.net/home/380-electronic-cigarette-usb-charging-cable-ego-charger-works-with-ego-series-battery.html>.

(Continued)

Primary Examiner — Rosemary K Tarcza

Assistant Examiner — Alison M Ofstun

(74) *Attorney, Agent, or Firm* — Harness, Dickey & Pierce, P.L.C.

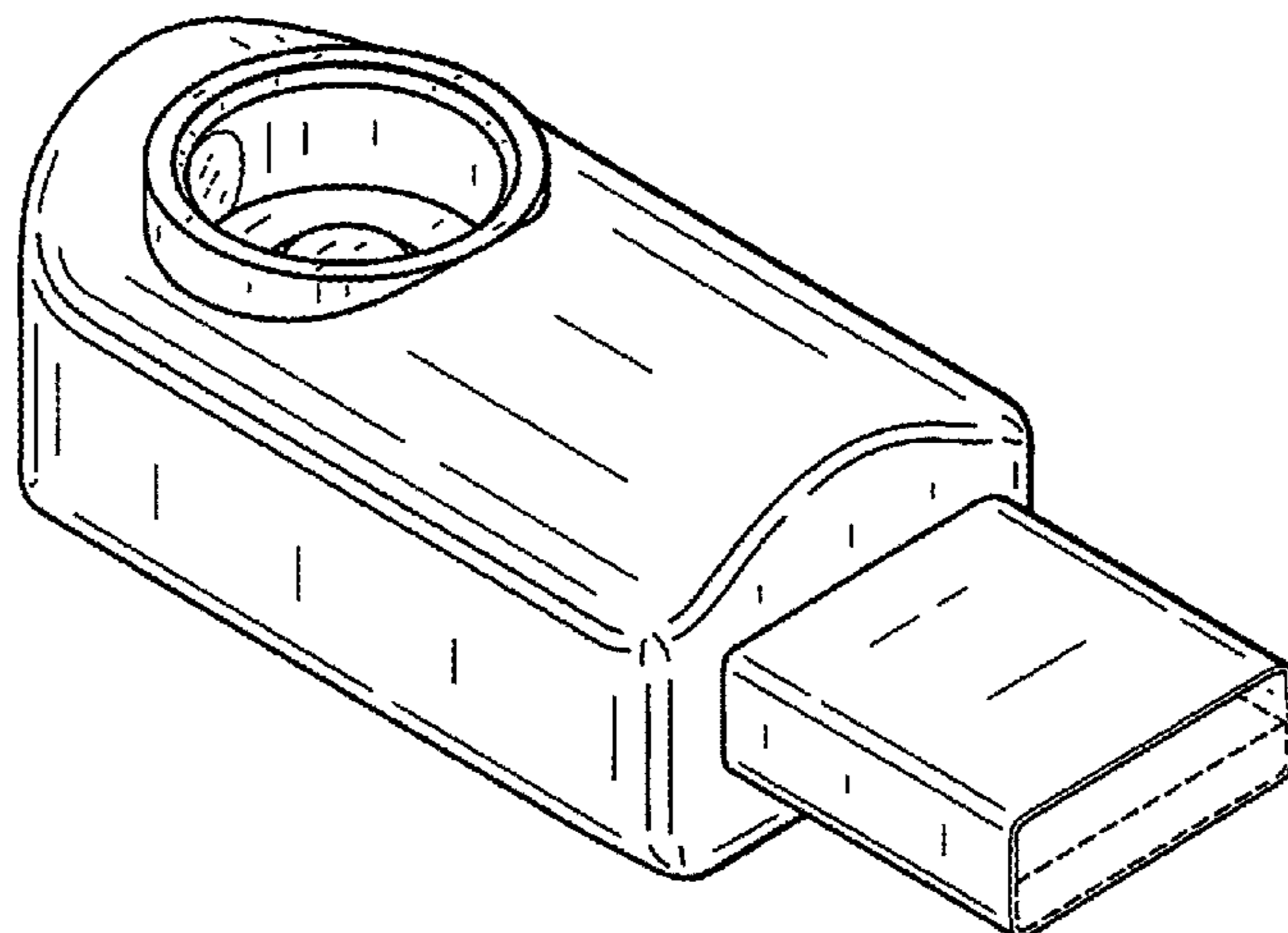
(57) **CLAIM**

The ornamental design for a USB charging connector for electronic vaporizer, as shown and described.

DESCRIPTION

FIG. 1 is a first top perspective view of a first embodiment of a USB charging connector for electronic vaporizer, showing our new design;
FIG. 2 is a second top perspective view thereof;
FIG. 3 is a third top perspective view thereof;
FIG. 4 is a bottom perspective view thereof;
FIG. 5 is a top view thereof;
FIG. 6 is a bottom view thereof;
FIG. 7 is a back view thereof;
FIG. 8 is a front view thereof;
FIG. 9 is a left side view thereof;
FIG. 10 is a right side view thereof;
FIG. 11 is a first top perspective view of a second embodiment of a USB charging connector for electronic vaporizer;
FIG. 12 is a second top perspective view thereof;
FIG. 13 is a third top perspective view thereof;
FIG. 14 is a bottom perspective view thereof;
FIG. 15 is a top view thereof;
FIG. 16 is a bottom view thereof;
FIG. 17 is a back view thereof;
FIG. 18 is a front view thereof;
FIG. 19 is a left side view thereof; and,
FIG. 20 is a right side view thereof.
The broken lines present in the figures are included for the purpose of illustrating portions of the article which form no part of the claimed design.

1 Claim, 14 Drawing Sheets



(58) **Field of Classification Search**
 CPC Y02E 60/12; Y02T 90/14; Y02T 90/122;
 Y02T 90/128; Y02T 90/163; H02J 7/025;
 H02J 7/0042; H02J 7/0044; H02J 7/0045;
 H02J 7/0003; H01F 38/14; H01R
 13/6675; H01M 2/1022; H01M 2/1055;
 H01M 10/44; H01M 10/46; H01M
 10/425; B60L 11/182
 See application file for complete search history.

D736,702 S 8/2015 Ovadia
 D736,704 S 8/2015 Liu
 D737,201 S 8/2015 Liu
 9,197,726 B2 11/2015 Stanimirovic et al.
 D744,419 S 12/2015 Bowen et al.
 D749,510 S * 2/2016 Liu D13/108
 D750,096 S * 2/2016 Ozolins D14/480.4
 9,247,773 B2 2/2016 Memari et al.
 D751,502 S 3/2016 Riner
 9,282,772 B2 3/2016 Tucker et al.
 2008/0276099 A1 * 11/2008 Nguyen G06F 12/1416
 713/186

(56) **References Cited**

U.S. PATENT DOCUMENTS

D618,224 S 6/2010 Tong et al.
 D622,276 S * 8/2010 Tran D14/480.1
 D631,053 S * 1/2011 Bailey D10/70
 D631,055 S * 1/2011 Gilbert D14/242
 D639,303 S * 6/2011 Ni D14/480.7
 D669,027 S 10/2012 Kumpula et al.
 D682,841 S * 5/2013 Suetake D14/480.1
 D686,987 S * 7/2013 Vanstone D13/108
 D704,629 S 5/2014 Liu
 D704,634 S 5/2014 Eidelman et al.
 8,973,587 B2 3/2015 Liu
 9,032,968 B2 5/2015 Glasberg et al.
 9,066,543 B2 6/2015 Cameron
 D733,650 S 7/2015 Liu
 D733,651 S * 7/2015 Liu D13/108
 D736,148 S 8/2015 Liu
 D736,149 S * 8/2015 Liu D13/108
 D736,150 S 8/2015 Liu

2013/0284192 A1 10/2013 Peleg et al.
 2013/0306692 A1 11/2013 Mangum et al.
 2014/0007891 A1 1/2014 Liu
 2014/0123990 A1 5/2014 Timmermans
 2014/0224267 A1 8/2014 Levitz et al.
 2015/0020831 A1 1/2015 Weigensberg et al.
 2015/0102777 A1 4/2015 Cooper
 2015/0150305 A1 6/2015 Shenkal
 2015/0224268 A1 8/2015 Henry et al.
 2015/0272223 A1 10/2015 Weigensberg et al.
 2015/0333552 A1 11/2015 Alarcon
 2016/0066619 A1 3/2016 Di Carlo

OTHER PUBLICATIONS

“Premium Electronic Vapor Cigarette USB Charger (Female)—
 Pack of 2” Amazon.com, <http://www.amazon.com/Premium-Electronic-Cigarette-Charger-Female/dp/B00BMS8E0C>.

* cited by examiner

FIG. 1

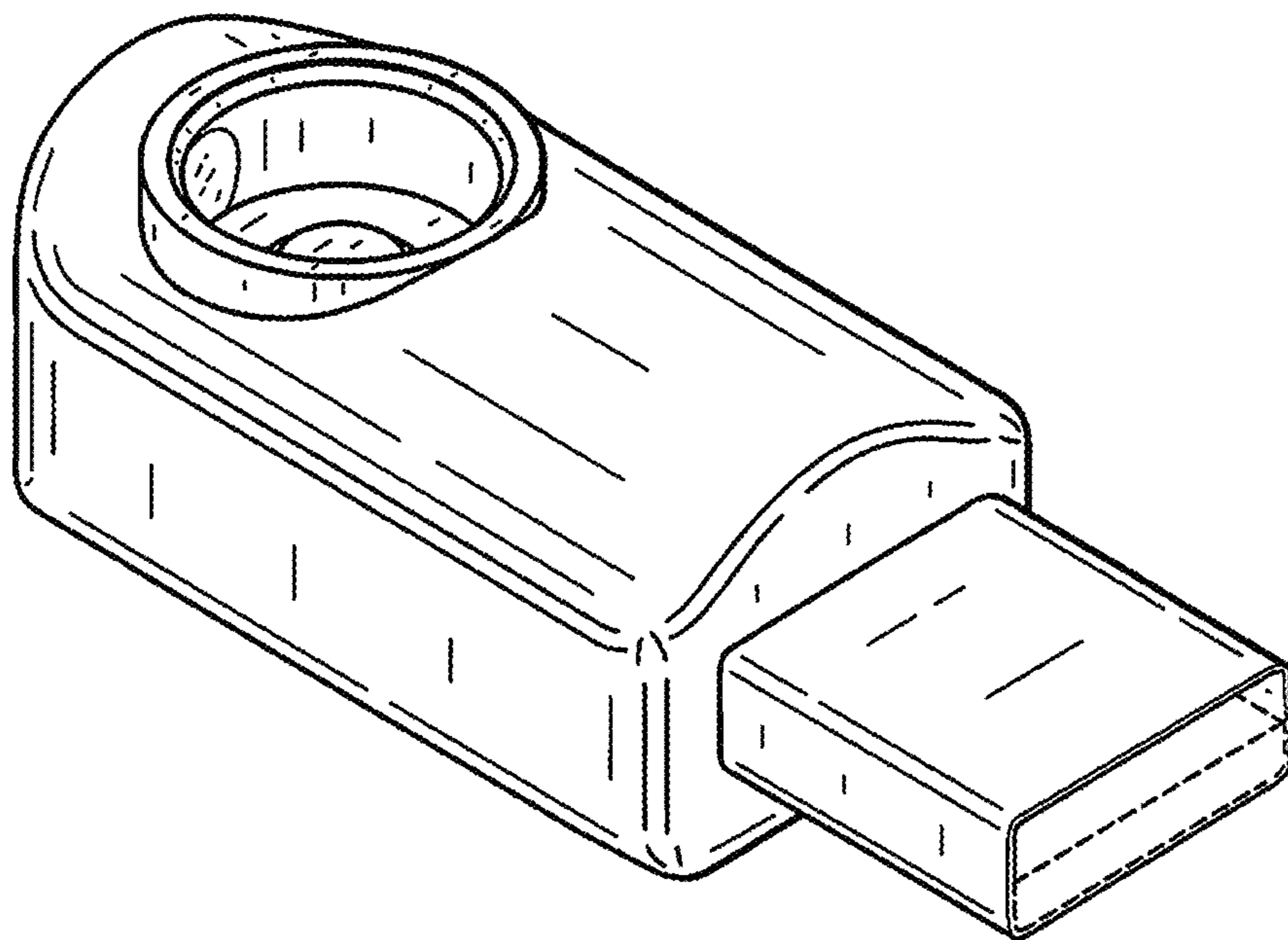


FIG. 2

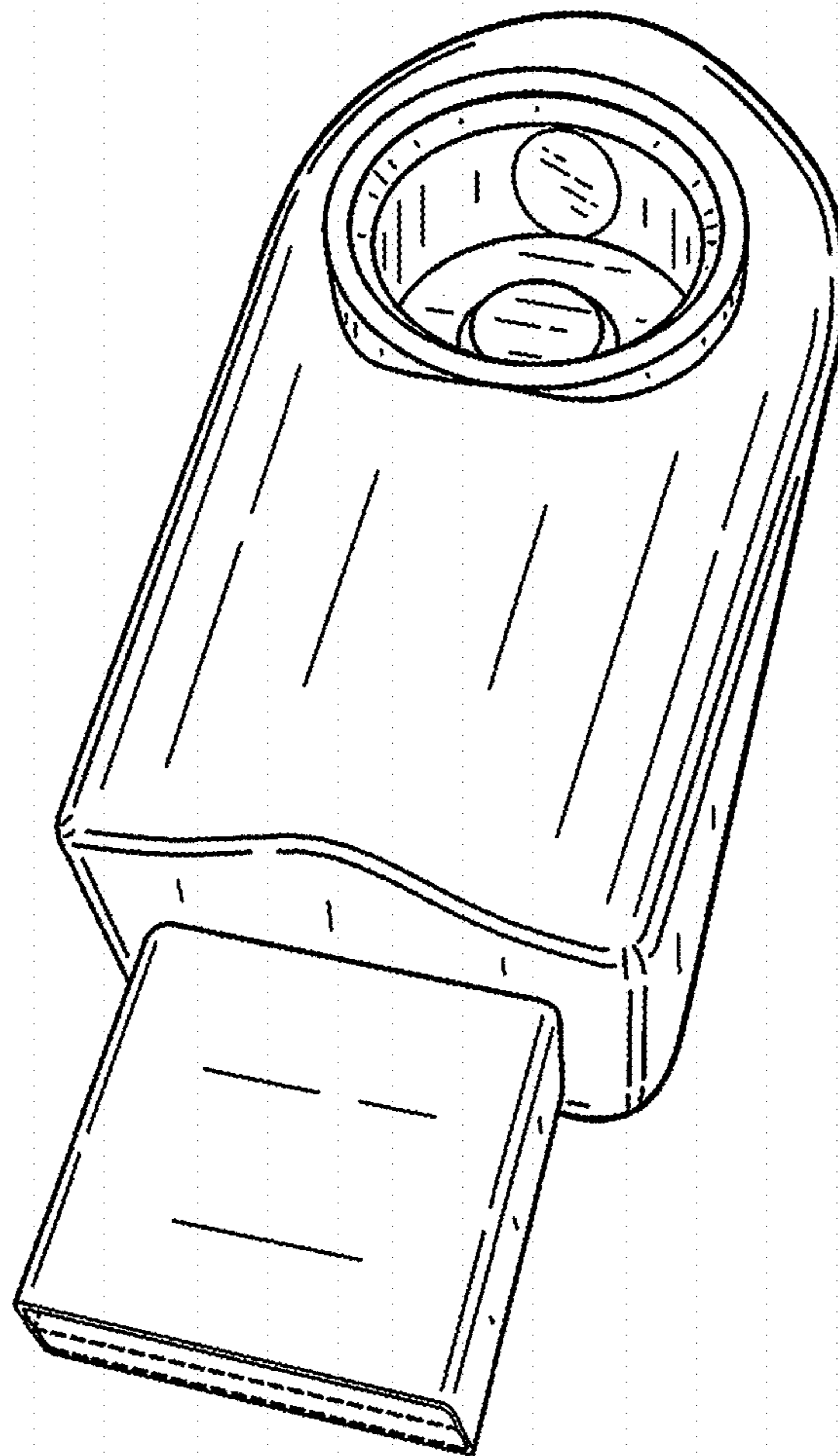


FIG. 3

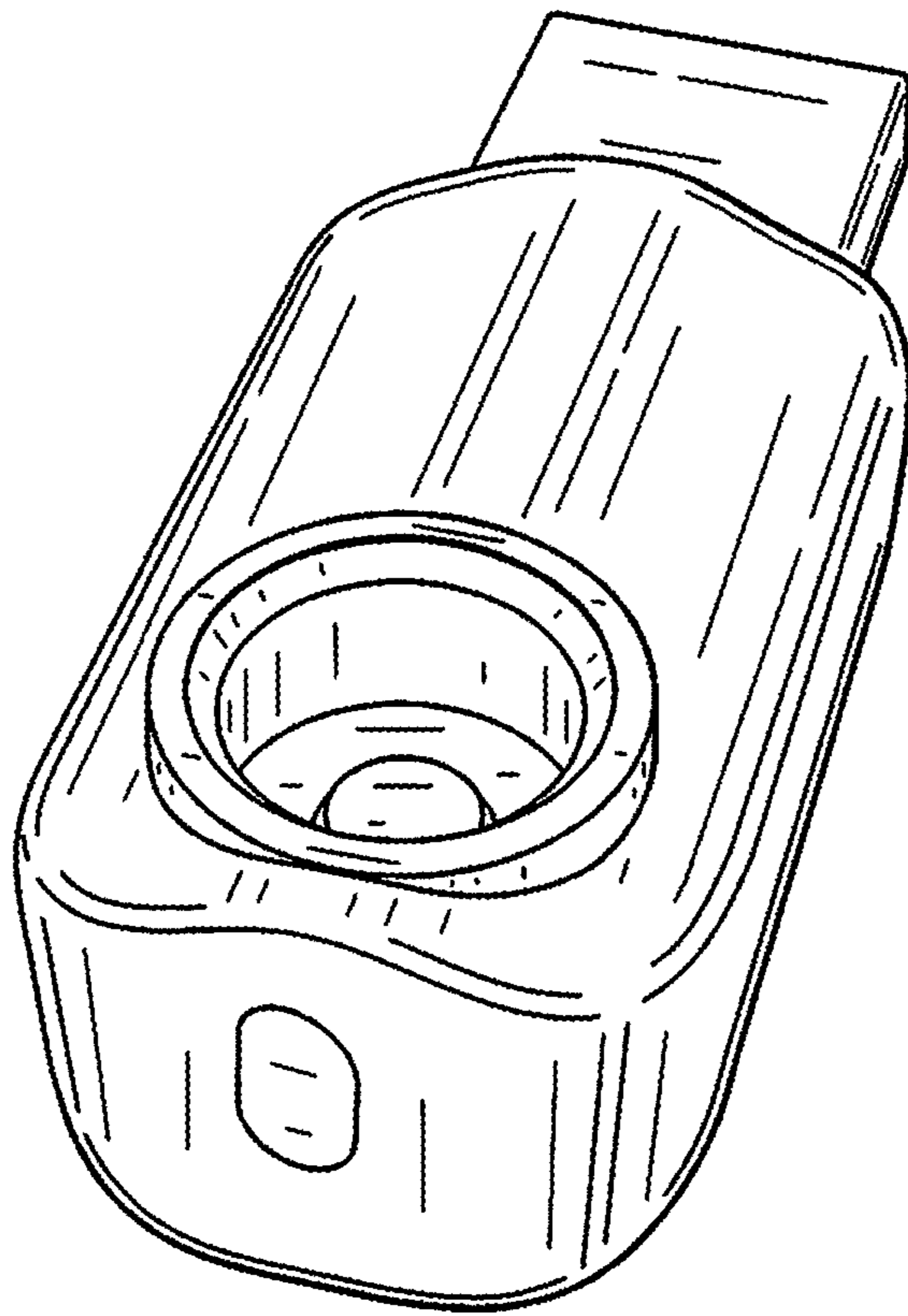


FIG. 4

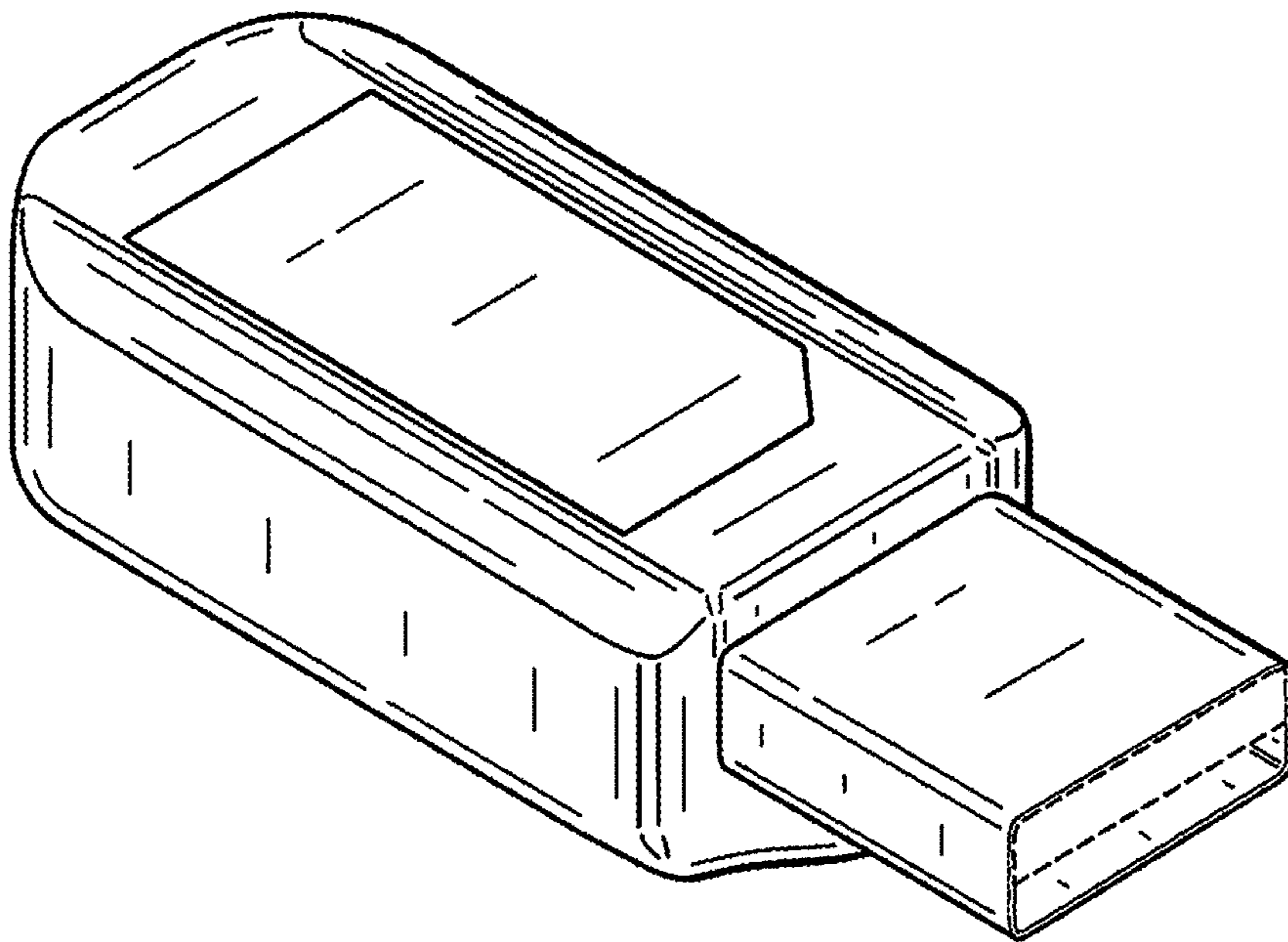


FIG. 5

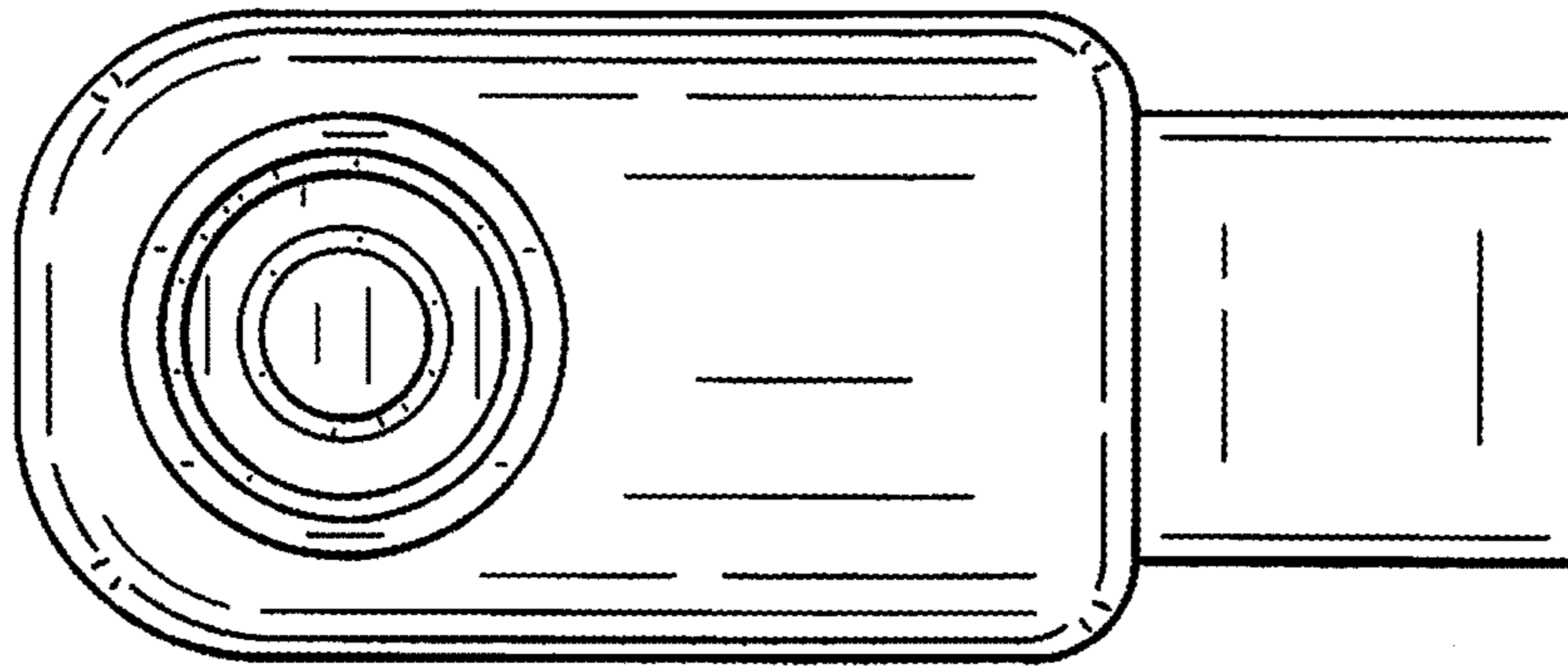


FIG. 6

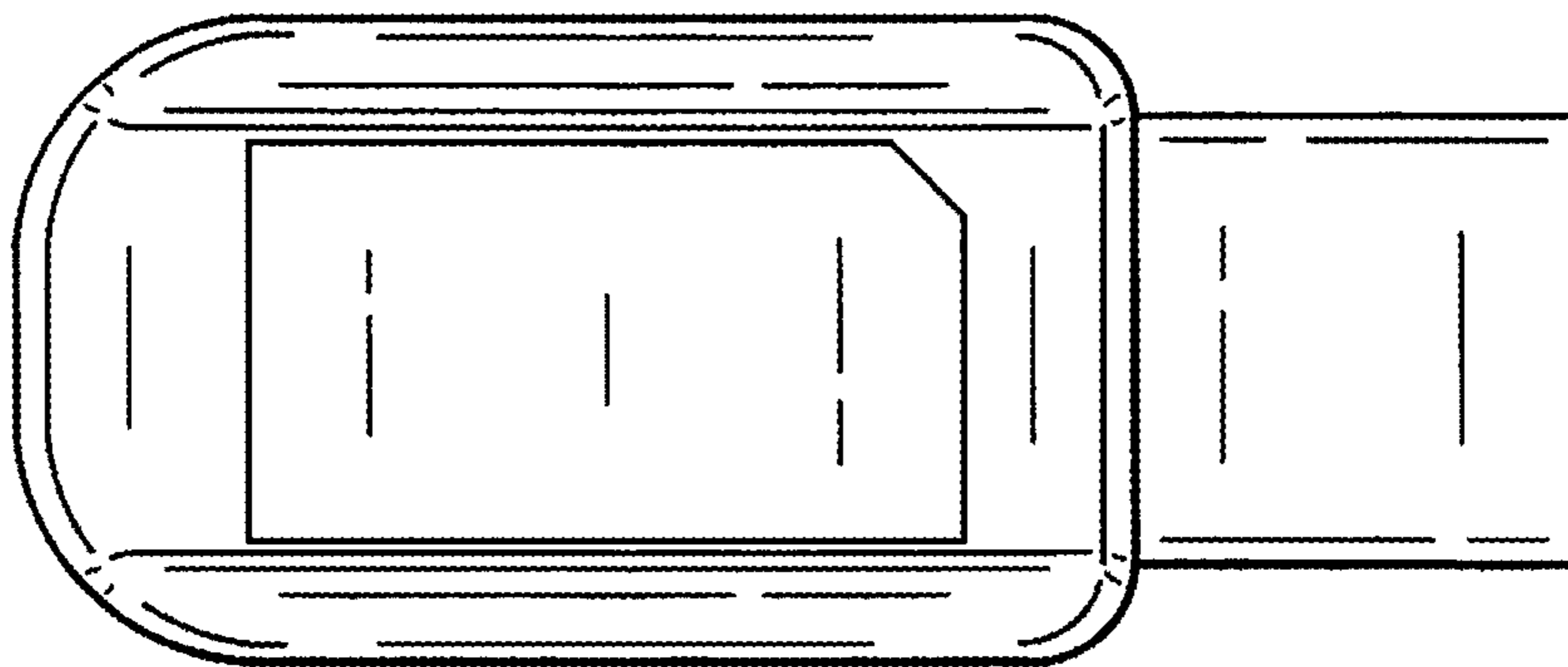


FIG. 7

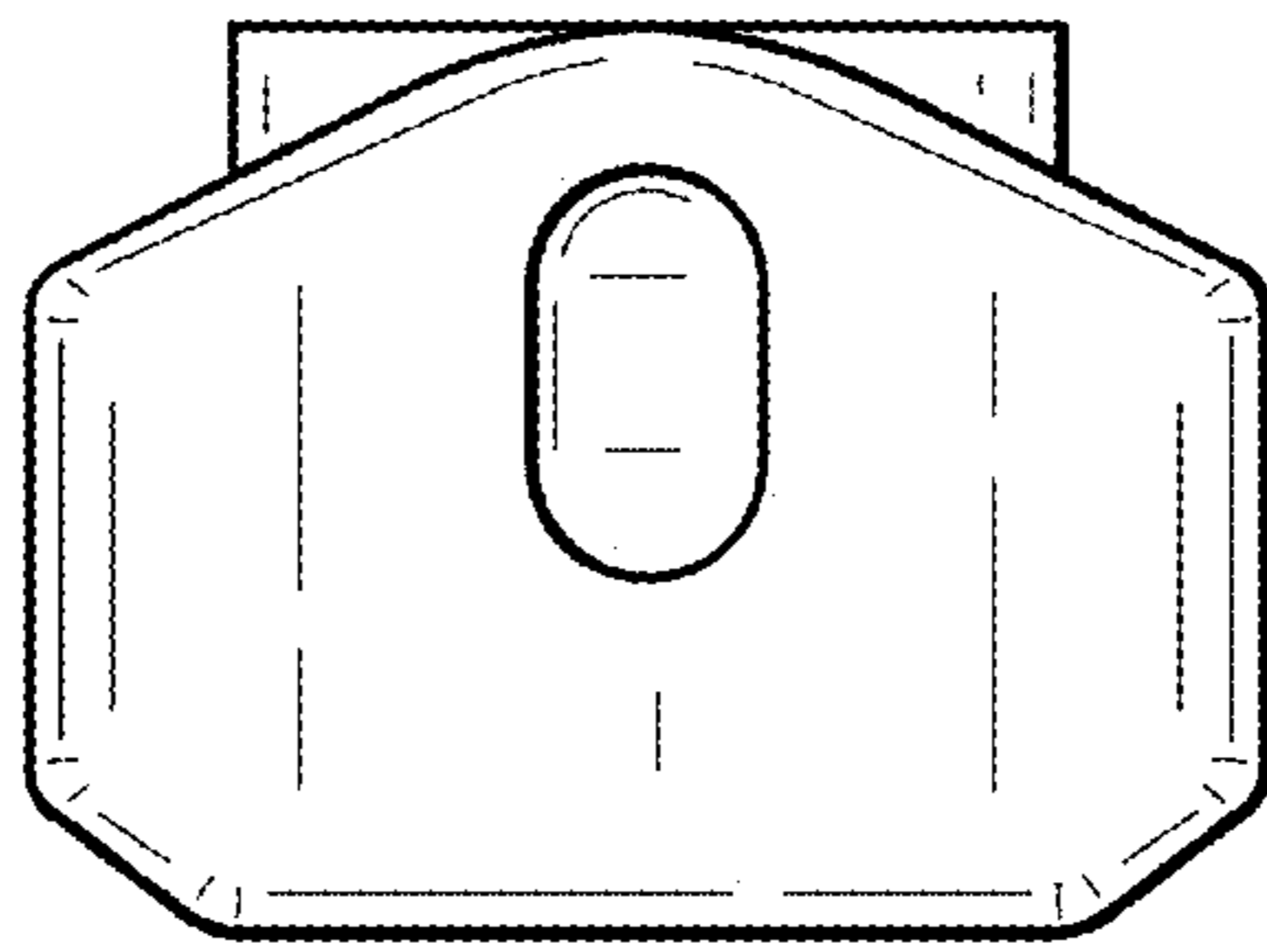


FIG. 8

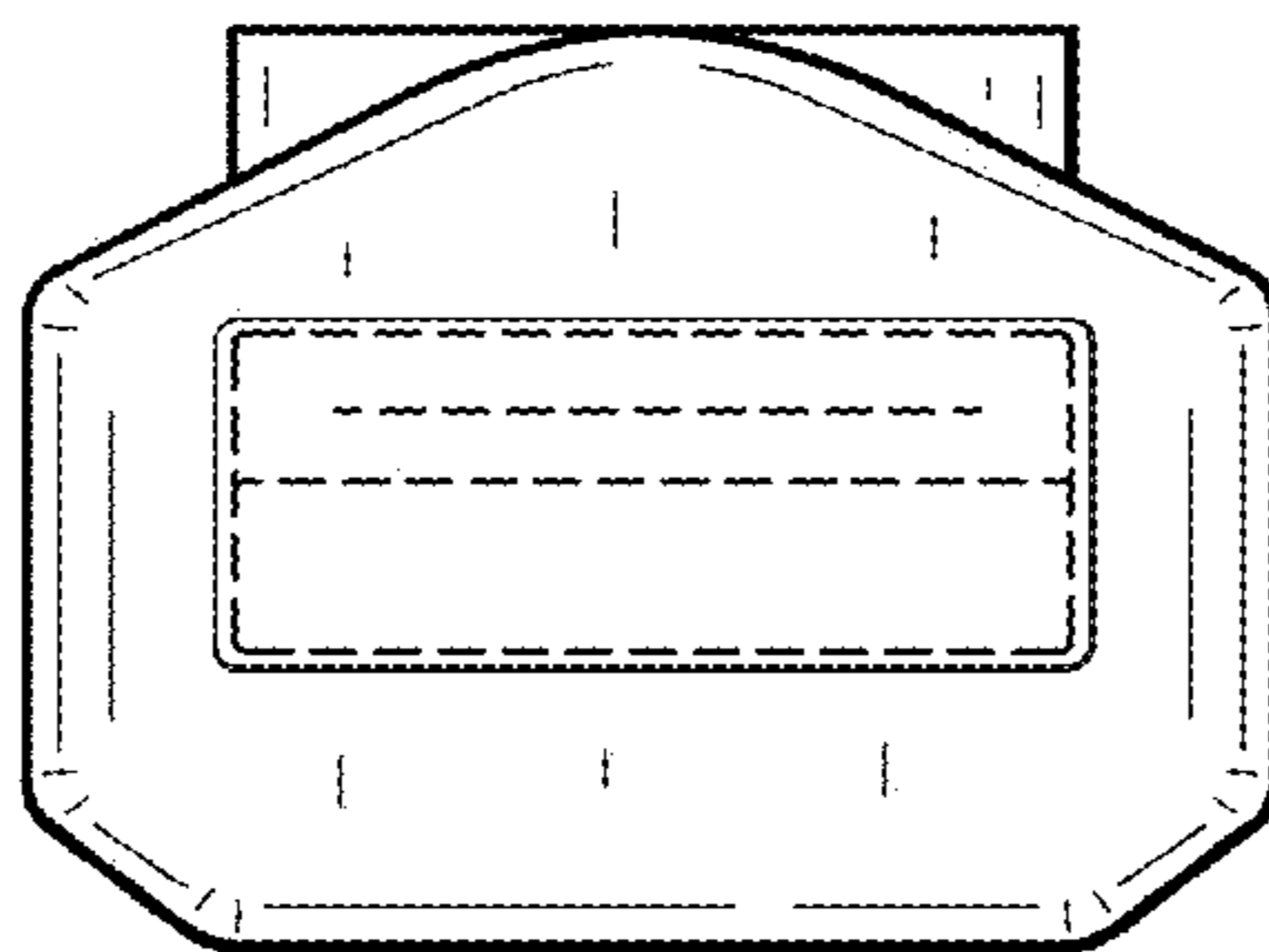


FIG. 9

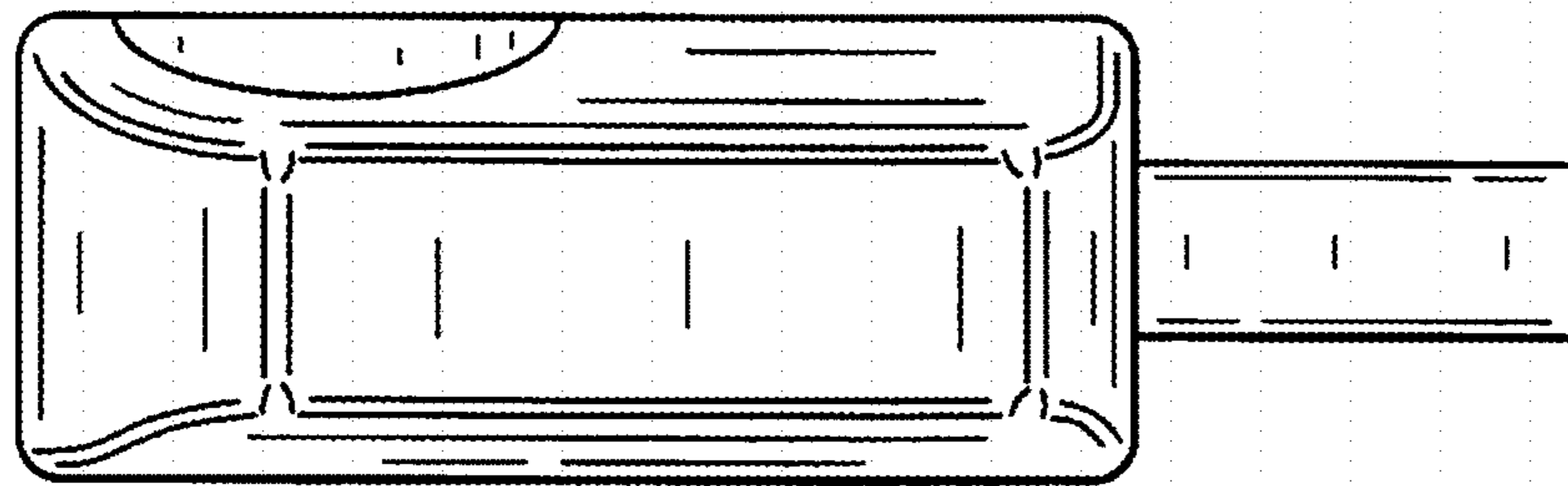


FIG. 10

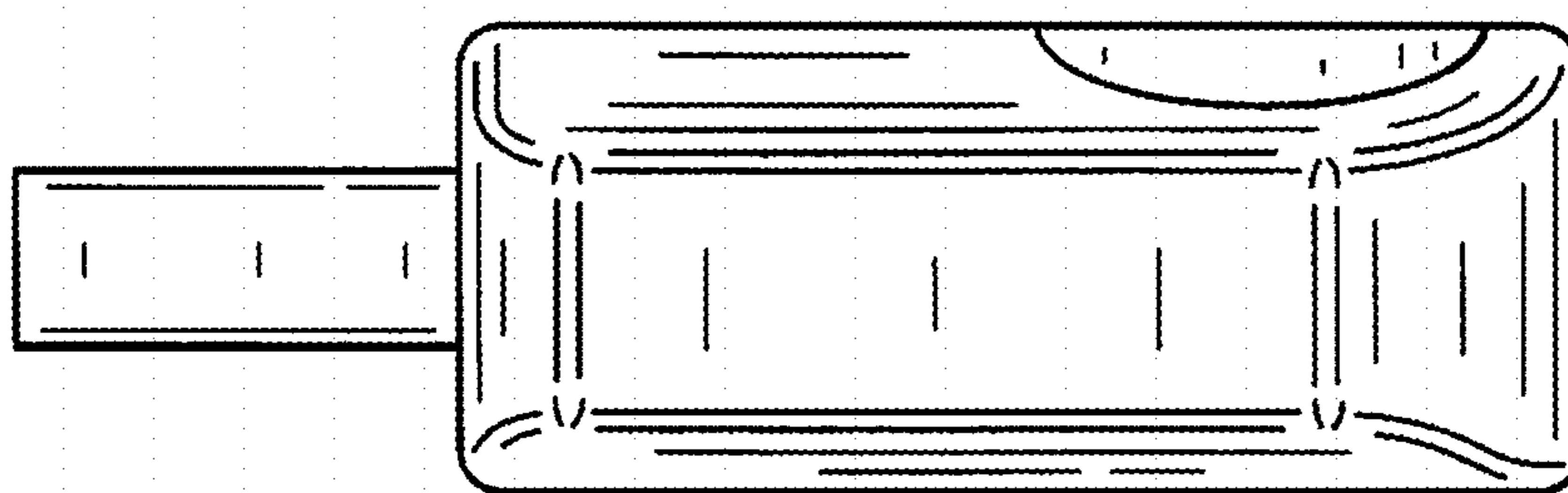


FIG. 11

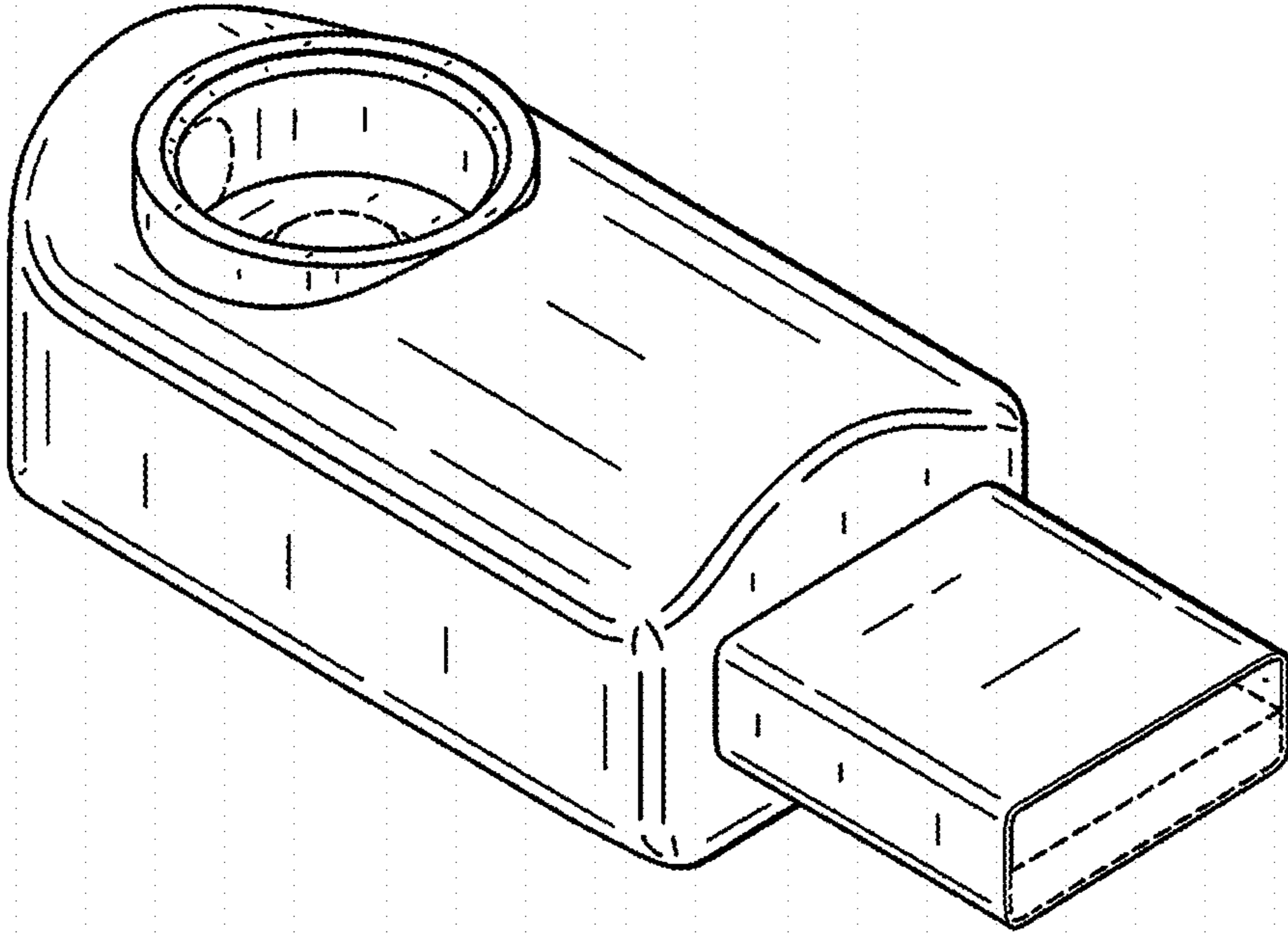


FIG. 12

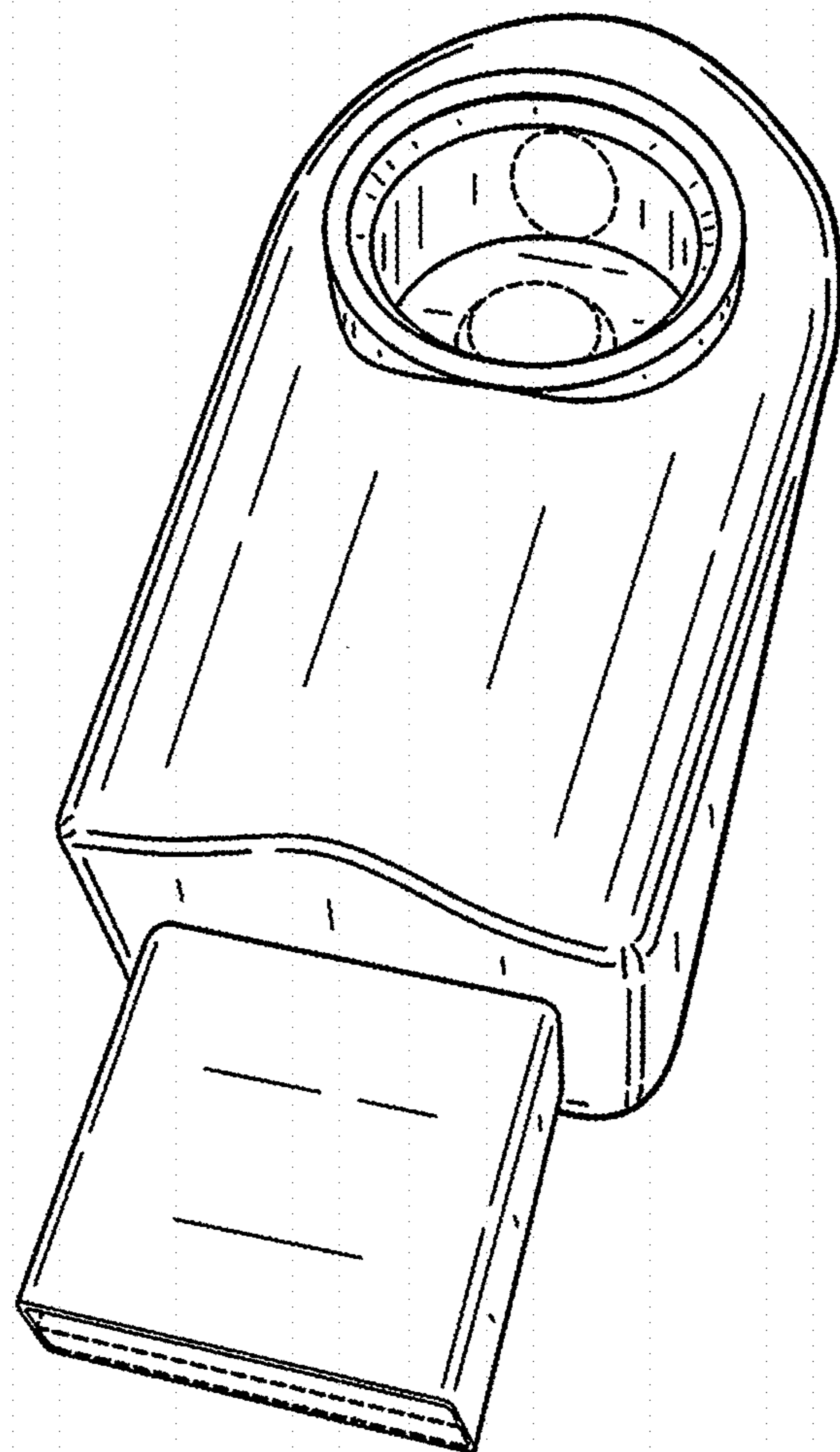


FIG. 13

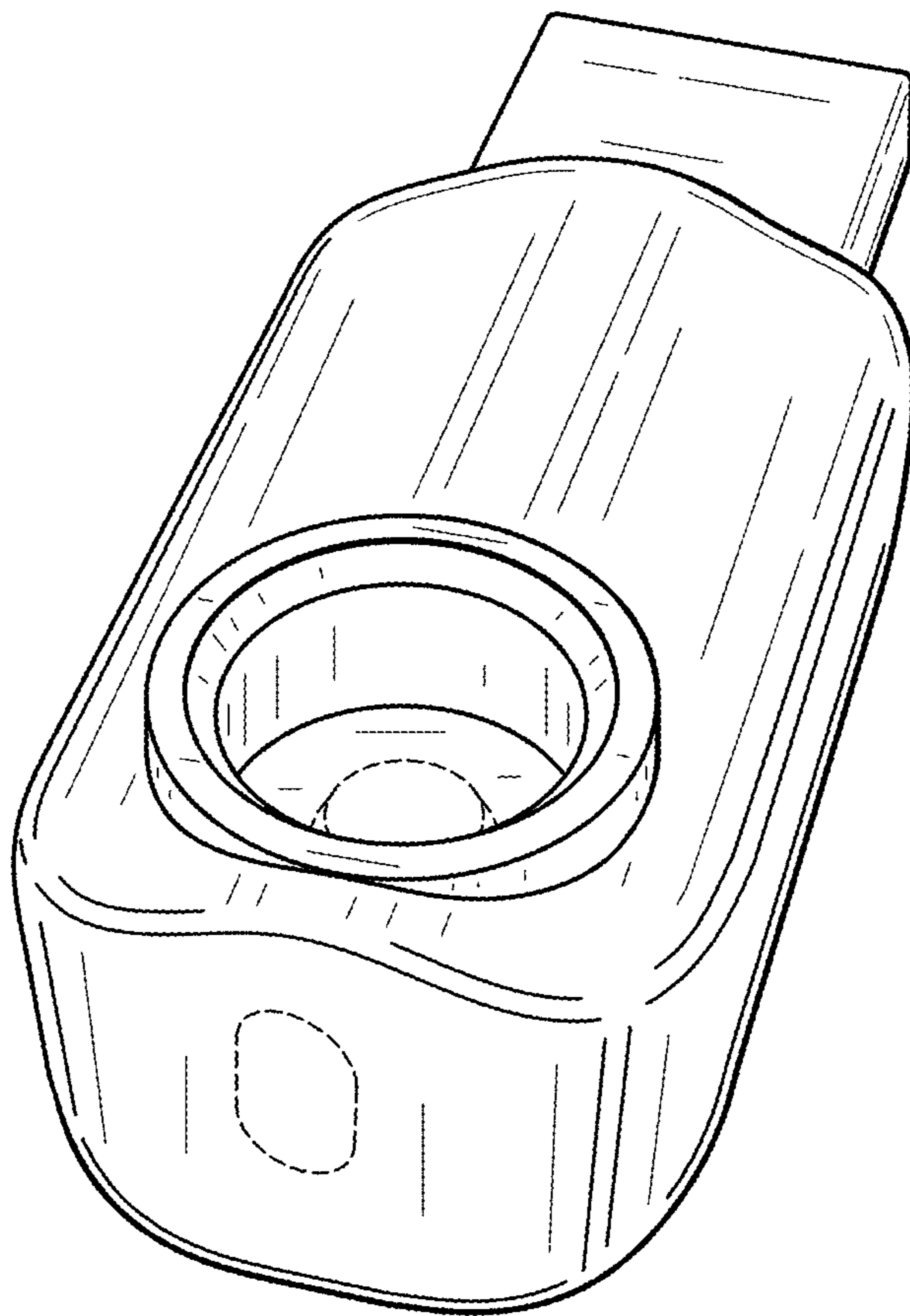


FIG. 14

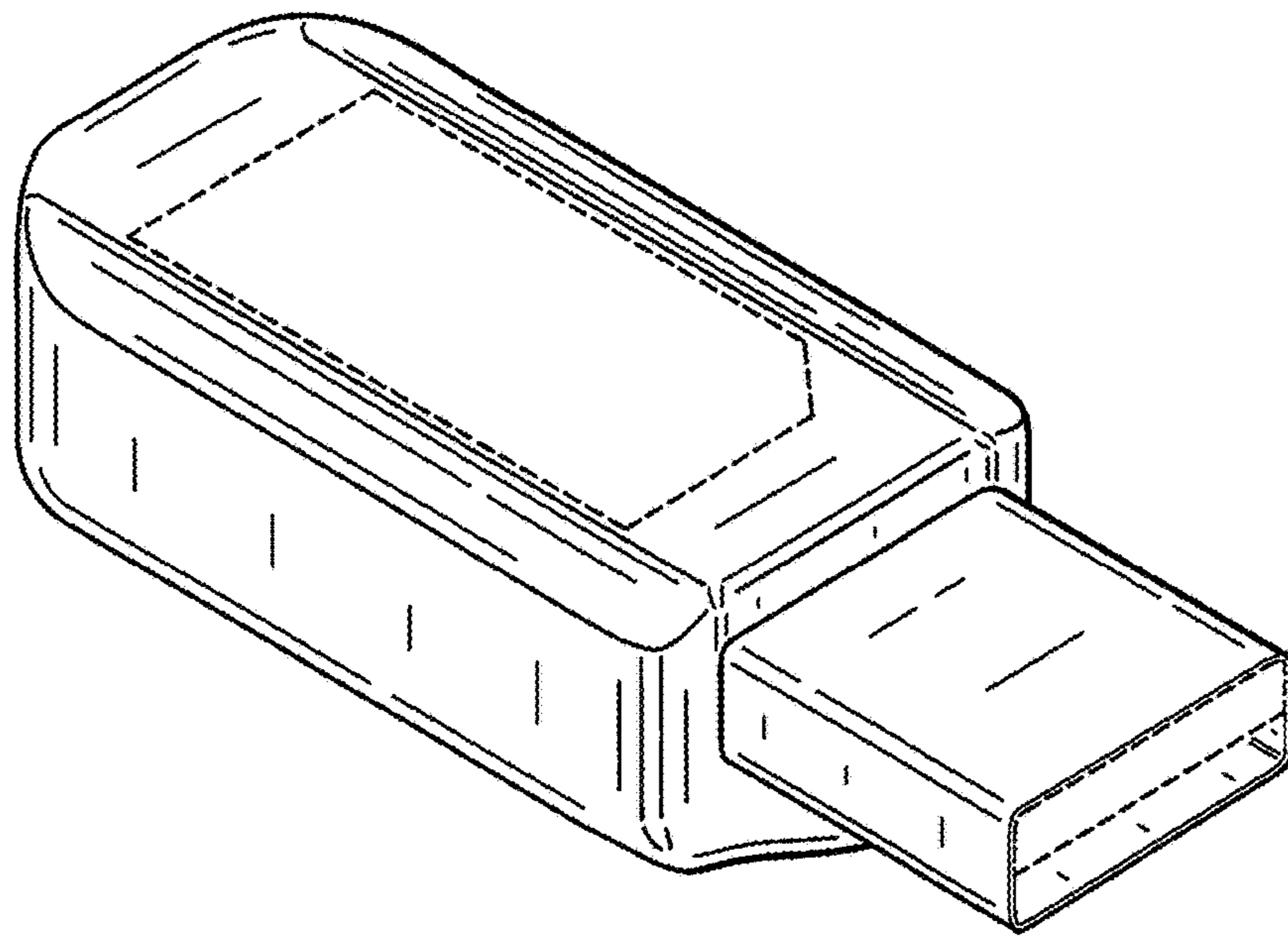


FIG. 15

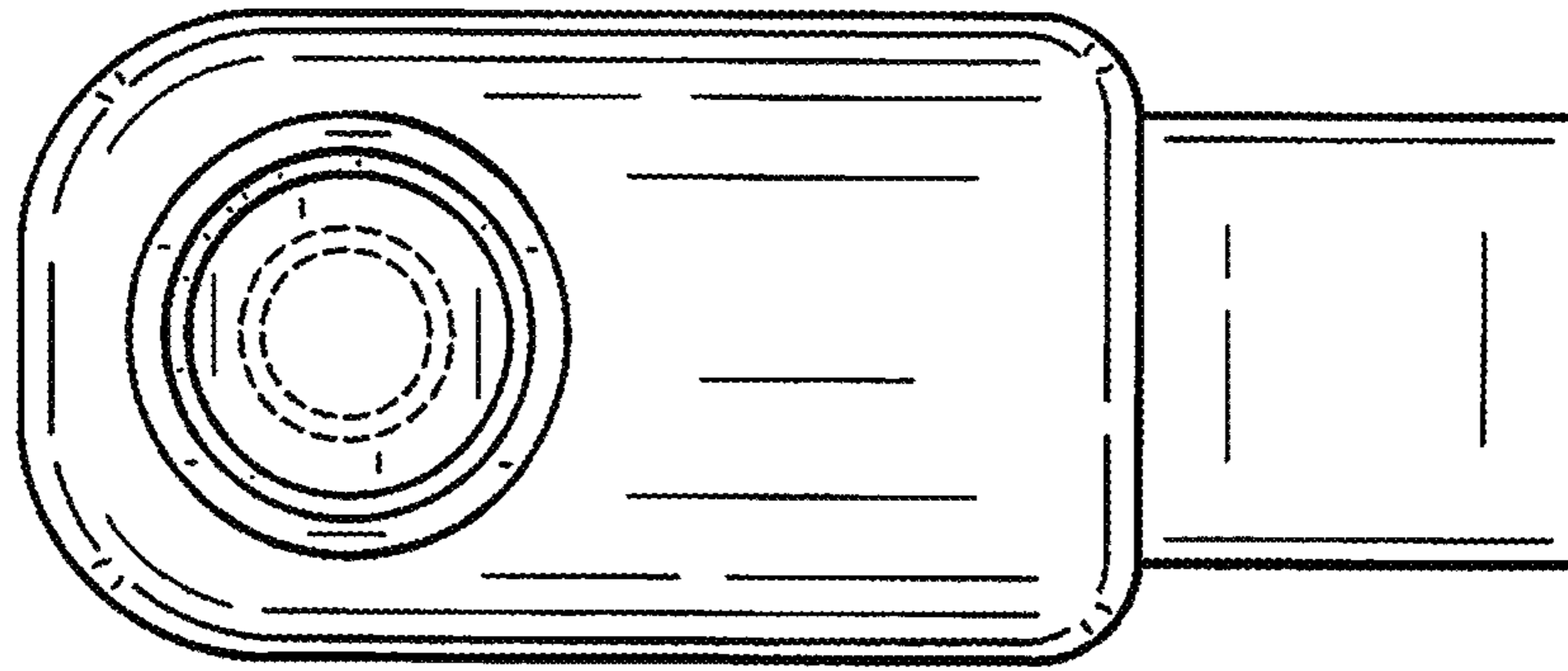


FIG. 16

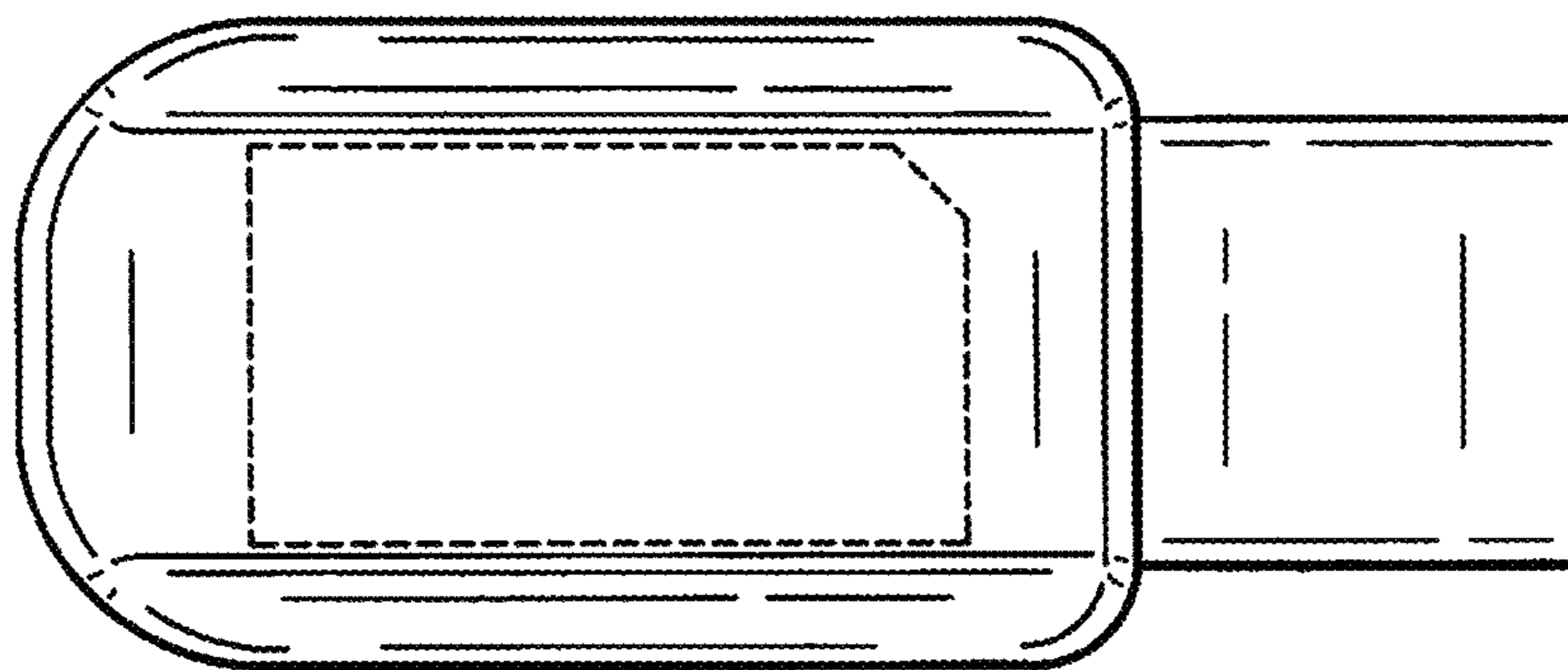


FIG. 17

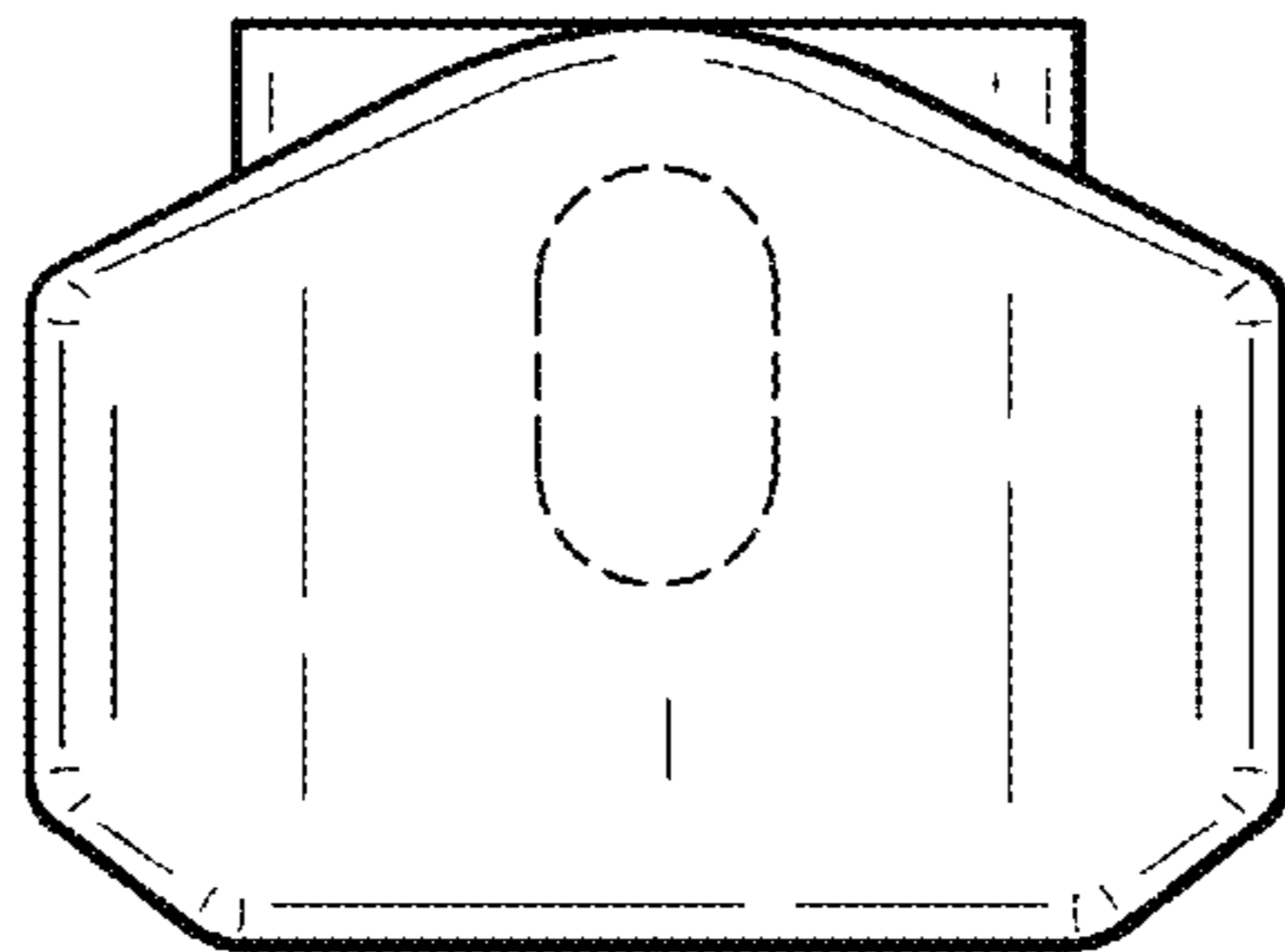


FIG. 18

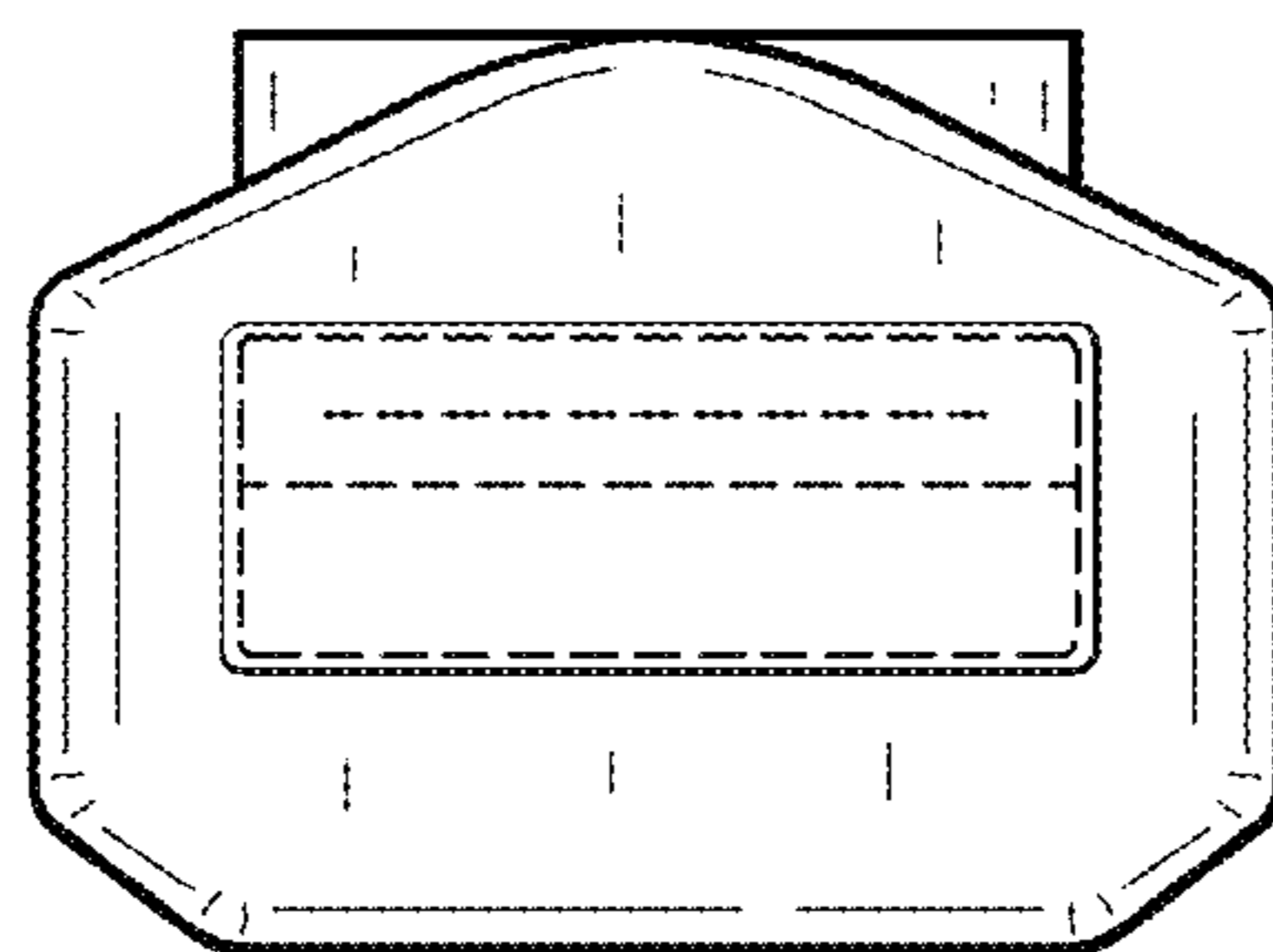


FIG. 19

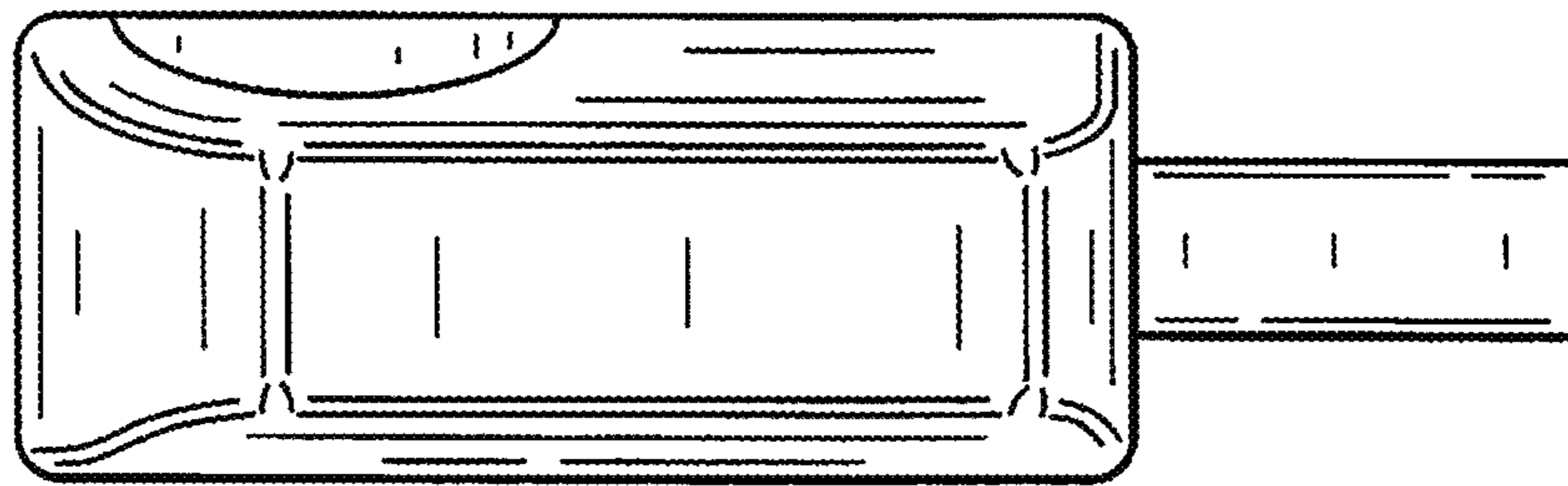


FIG. 20

