



US00D830294S

(12) **United States Design Patent**
Doi et al.

(10) **Patent No.:** **US D830,294 S**

(45) **Date of Patent:** **** Oct. 9, 2018**

(54) **SOLAR BATTERY**

(71) Applicant: **Fujikura Ltd.**, Tokyo (JP)

(72) Inventors: **Yoshiharu Doi**, Sakura (JP); **Ryo Yamaguchi**, Sakura (JP); **Hiroyuki Kito**, Sakura (JP); **Yasuyuki Seki**, Sakura (JP); **Kenta Kaneeda**, Sakura (JP)

(73) Assignee: **FUJIKURA LTD.**, Tokyo (JP)

(**) Term: **15 Years**

(21) Appl. No.: **29/608,519**

(22) Filed: **Jun. 22, 2017**

(30) **Foreign Application Priority Data**

Dec. 27, 2016 (JP) 2016-028333

(51) **LOC (11) Cl.** **13-03**

(52) **U.S. Cl.**
USPC **D13/102**

(58) **Field of Classification Search**
USPC D13/102, 103, 104, 105, 106, 107, 108,
D13/109, 118, 119, 120, 184, 199
CPC H01L 31/00; H01L 31/02; H01L 31/042;
H01L 31/045; H01L 31/046; H01L
31/048; H01L 31/05; H01L 31/052; H01L
31/0525; H02S 30/00; H02S 20/10; H02S
20/23; H02S 20/30; H02S 40/34; H02S
40/44; F24J 2/52; F03G 6/00
See application file for complete search history.

(56) **References Cited**

U.S. PATENT DOCUMENTS

D630,163 S * 1/2011 Yeh D13/108
D630,577 S * 1/2011 Eubanks D13/102

D640,973 S * 7/2011 Katsaros D13/102
D652,376 S * 1/2012 Nomi D13/102
D659,087 S * 5/2012 Nomi D13/102
D664,529 S * 7/2012 Chuang D13/108
D676,374 S * 2/2013 Chu D13/102

* cited by examiner

Primary Examiner — Daniel Bui

(74) *Attorney, Agent, or Firm* — Westerman, Hattori,
Daniels & Adrian, LLP

(57) **CLAIM**

The ornamental design for a solar battery, as shown and described.

DESCRIPTION

FIG. 1 is a rear, right and top perspective view of a solar battery showing our new design;
FIG. 2 is a rear, right and bottom perspective view thereof;
FIG. 3 is a front, left and top perspective view thereof;
FIG. 4 is a front elevation view thereof;
FIG. 5 is a rear elevation thereof;
FIG. 6 is a left side elevation view thereof;
FIG. 7 is a right side elevation view thereof;
FIG. 8 is a top plan view thereof;
FIG. 9 is a bottom plan view thereof; and,
FIG. 10 is a rear, right and top perspective view thereof, in use condition.

The broken line shown in the drawing views represents unclaimed environmental only and forms no part of the claimed design. The long dash-short dash broken line represent unclaimed boundary of the claimed design.

1 Claim, 10 Drawing Sheets

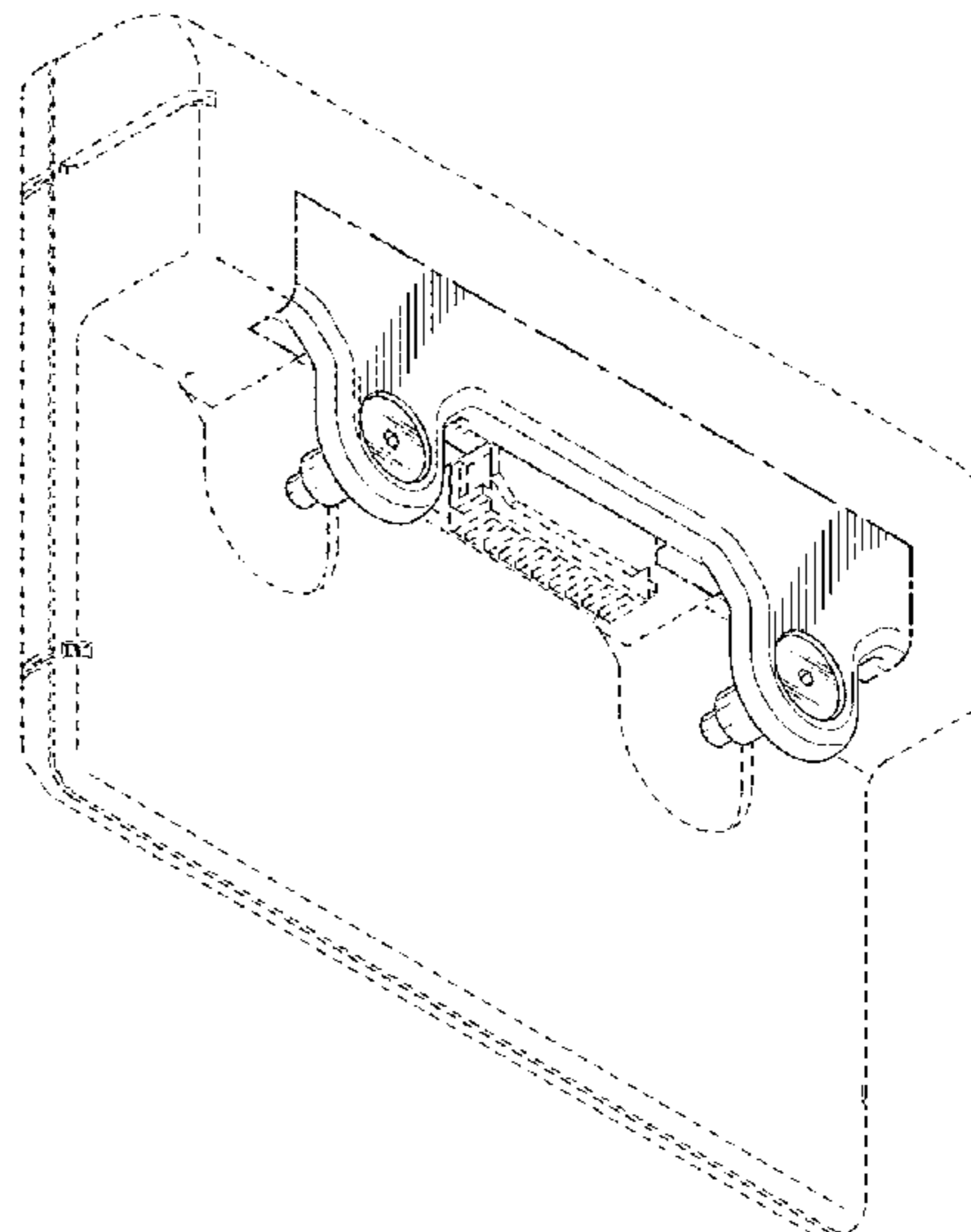
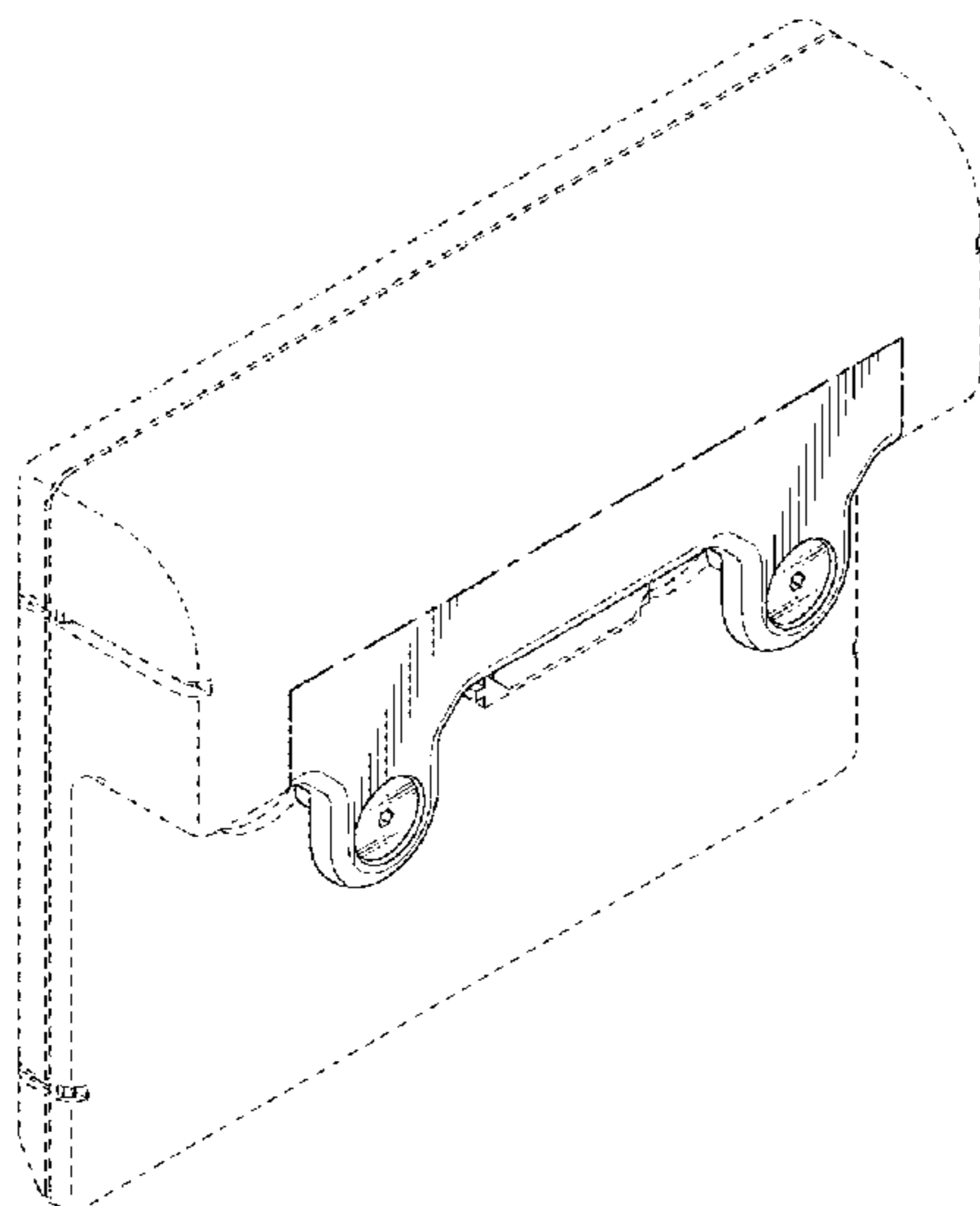


FIG. 1

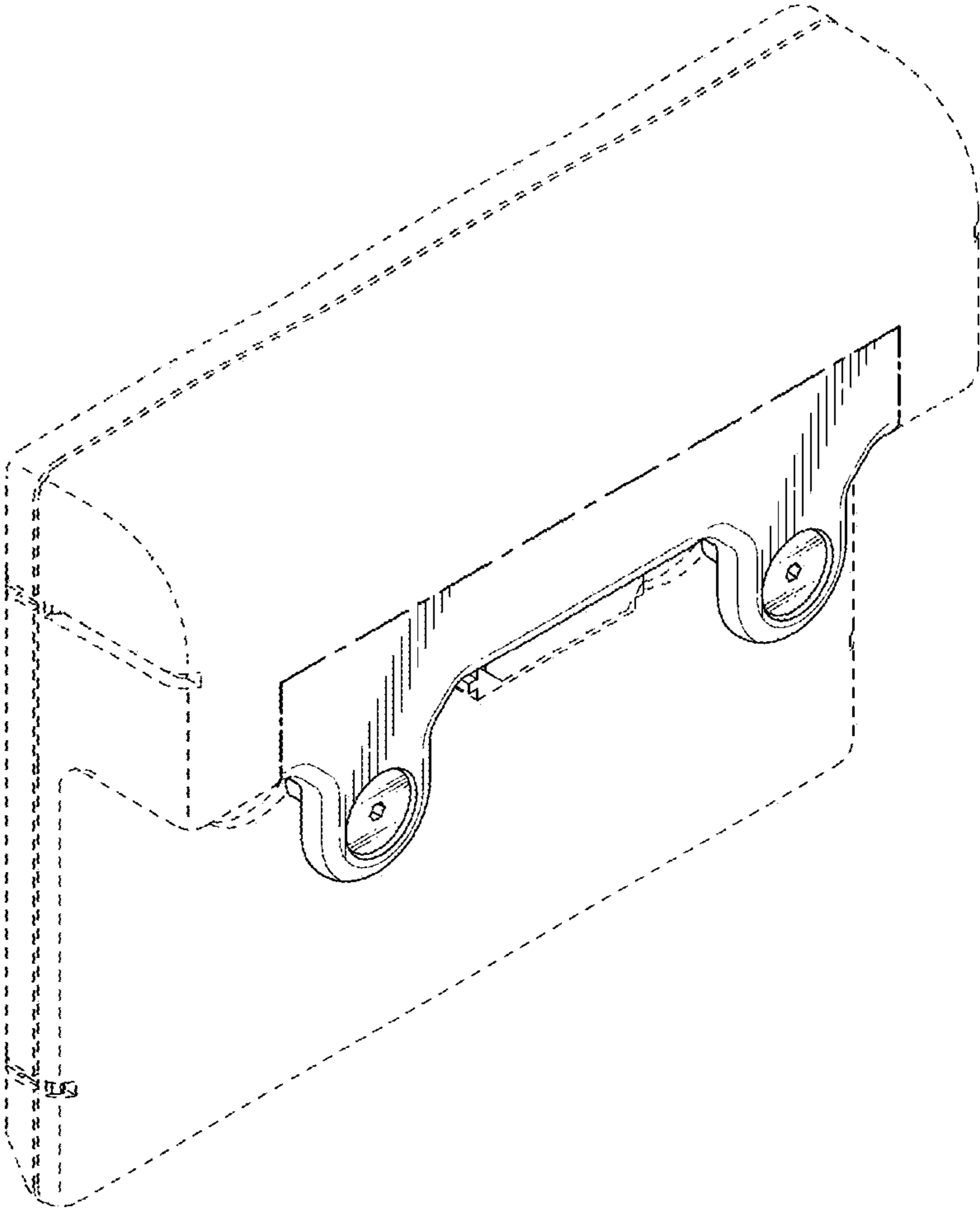


FIG. 2

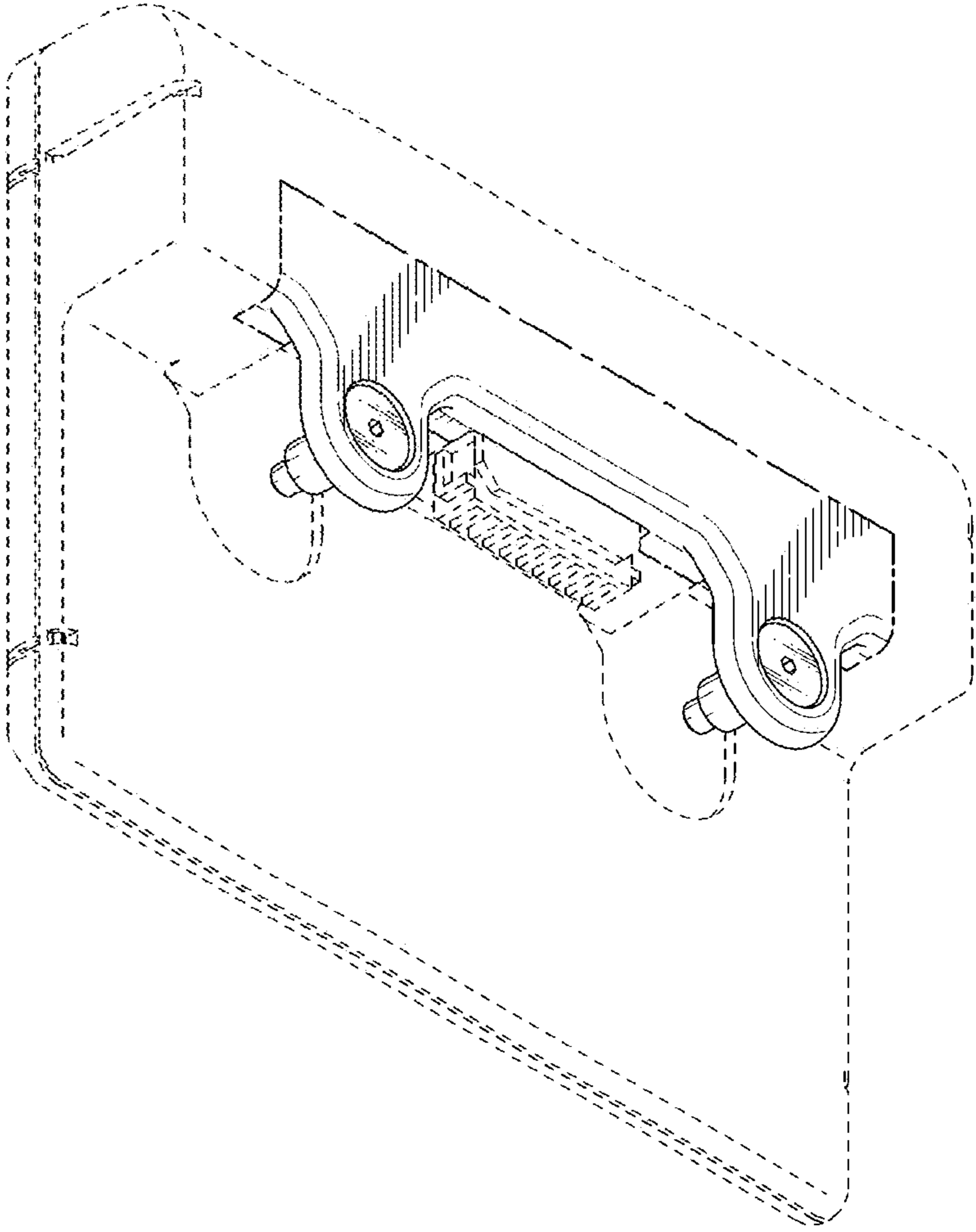


FIG. 3

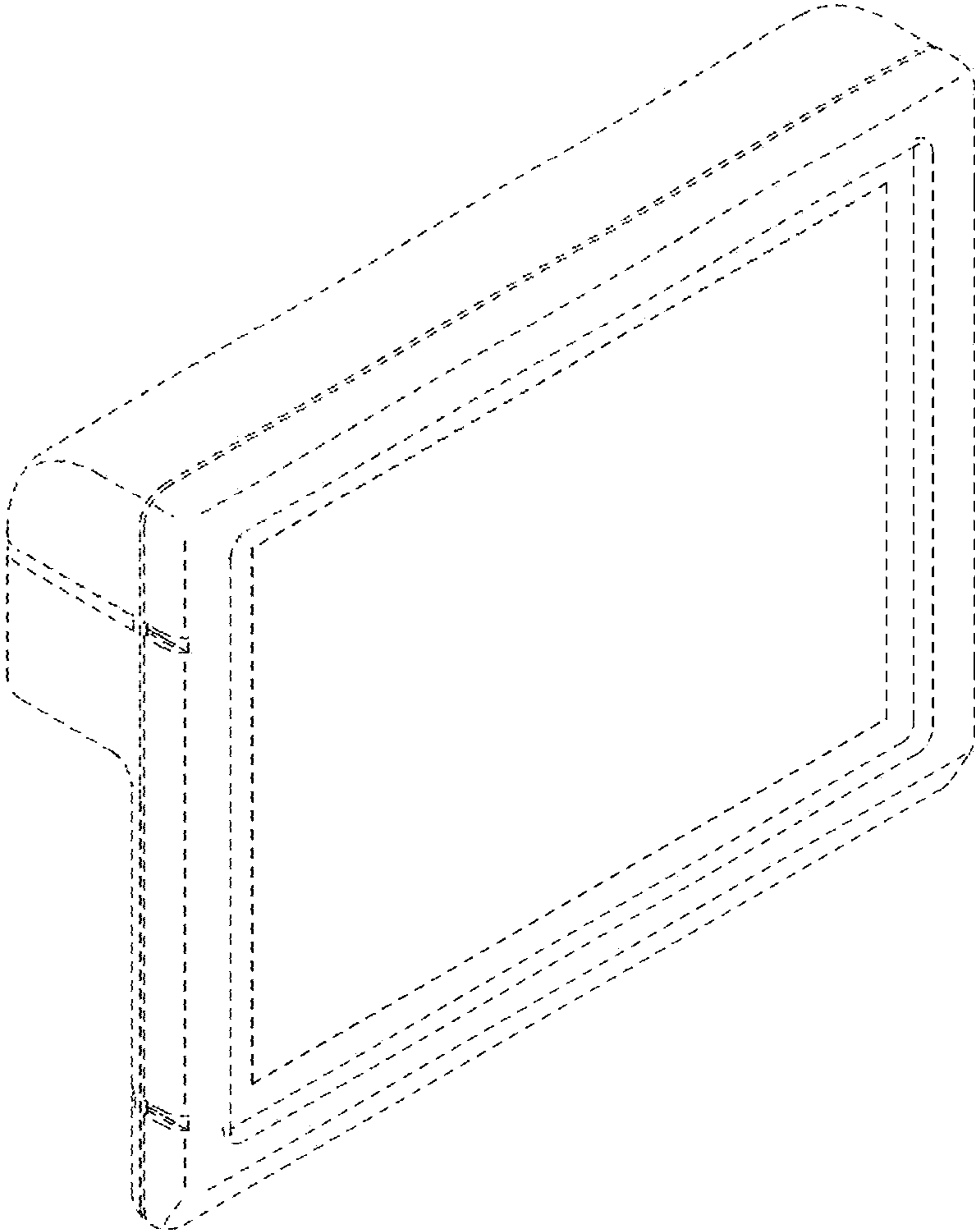


FIG. 4

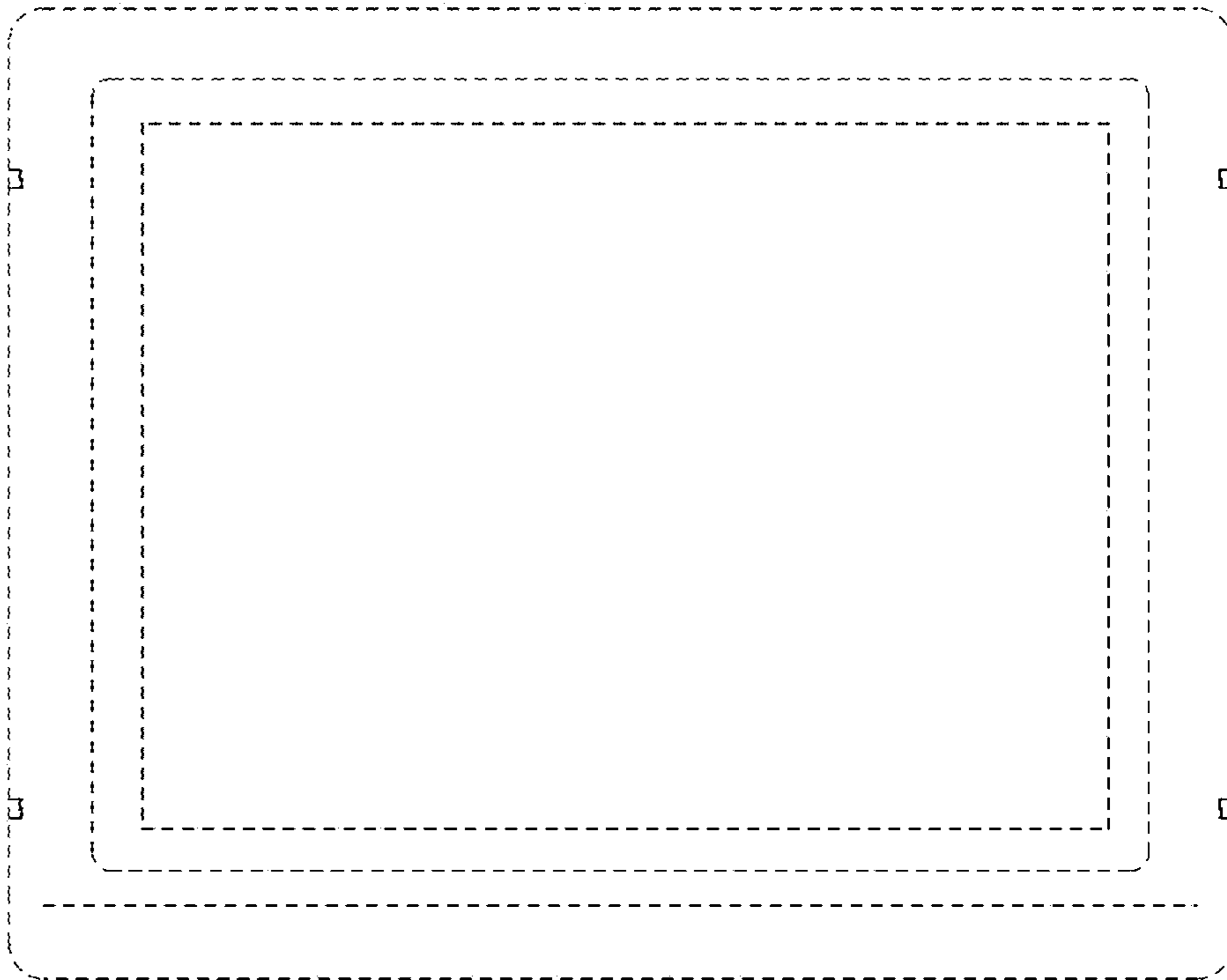


FIG. 5

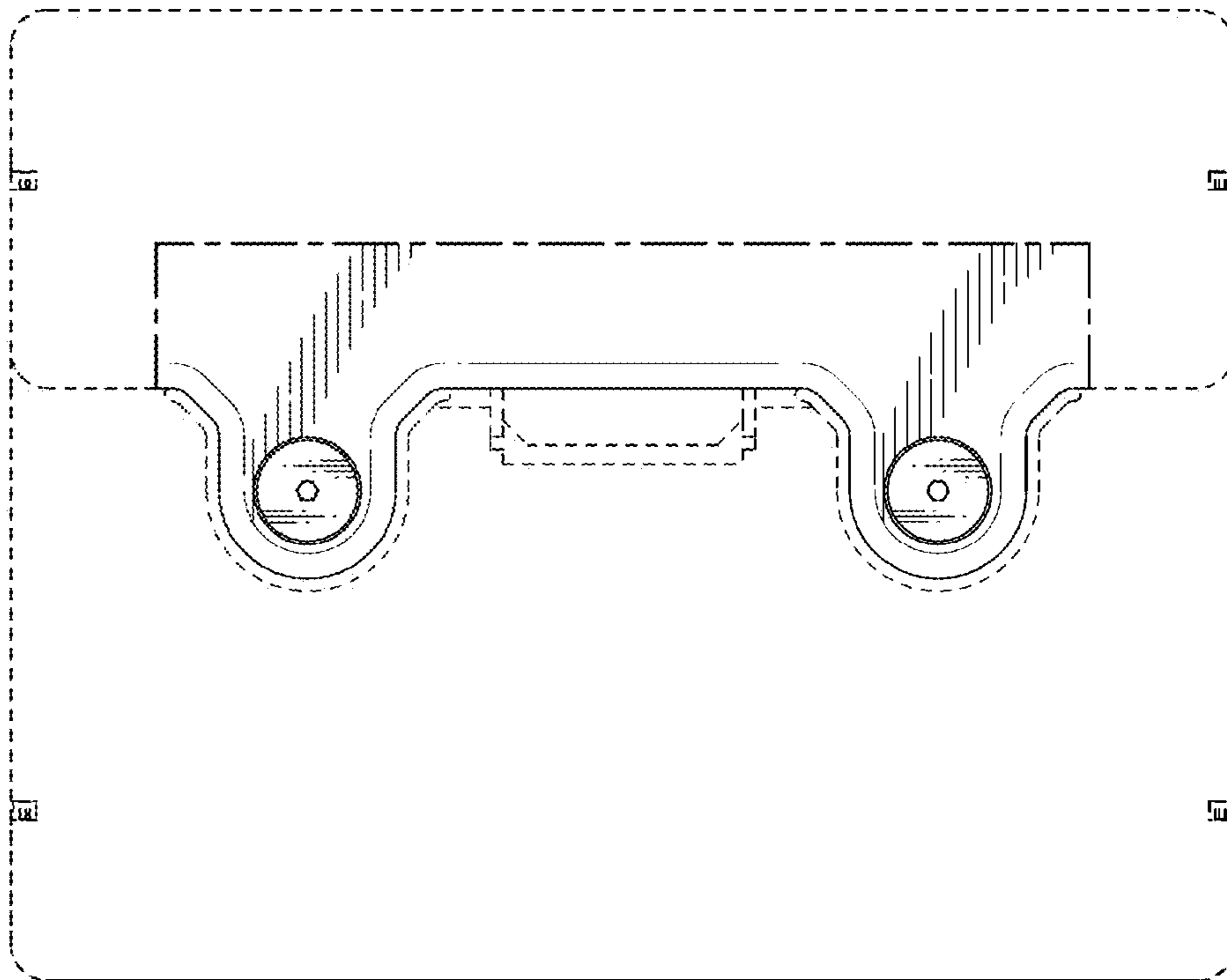


FIG. 6

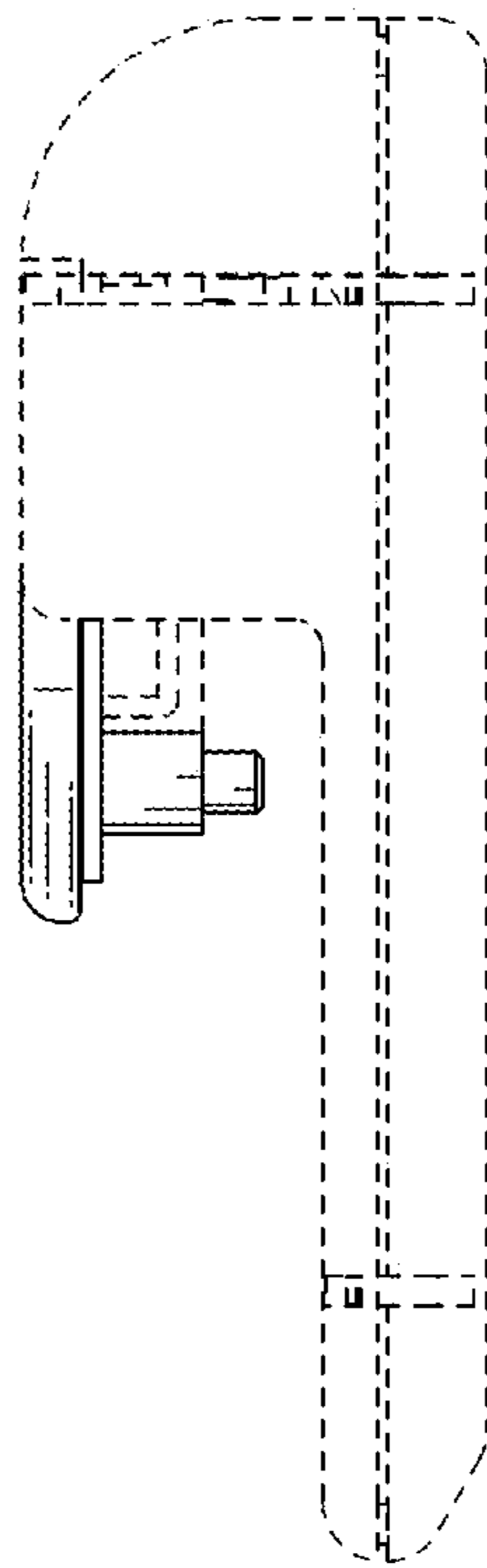


FIG. 7

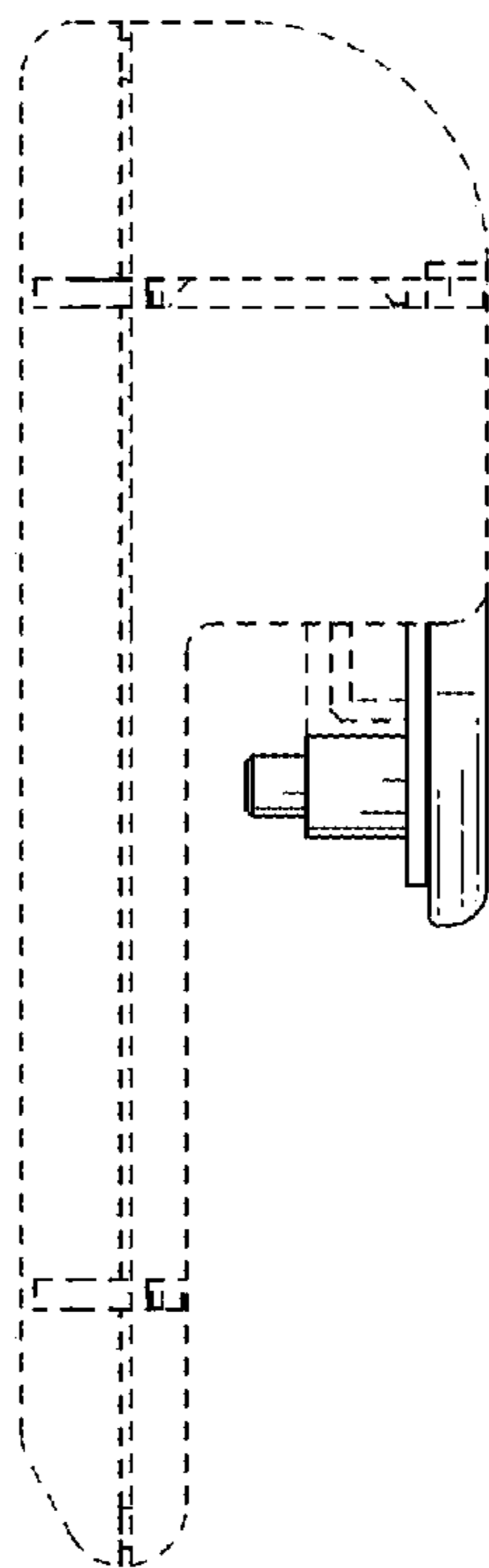


FIG. 8

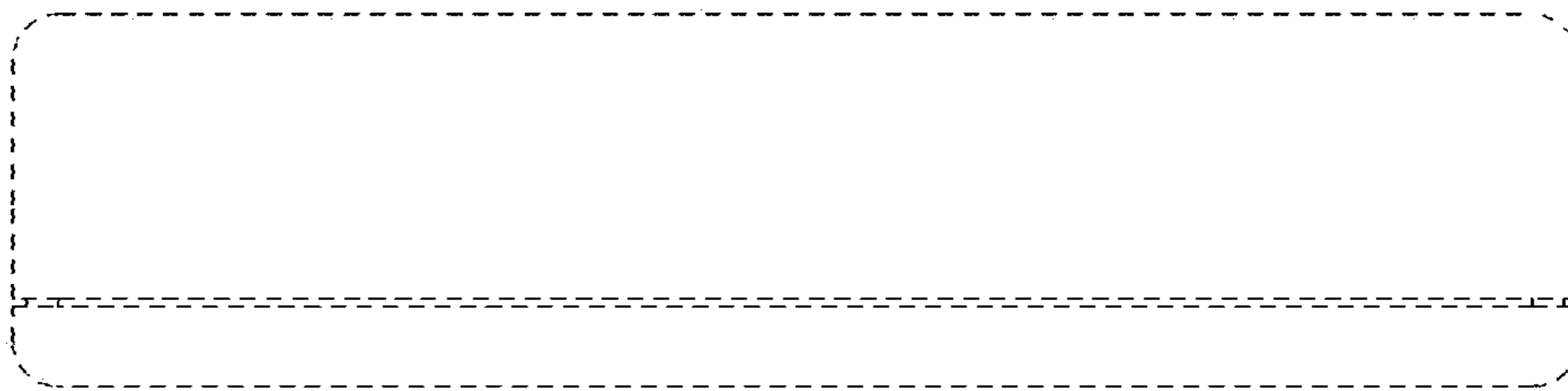


FIG. 9

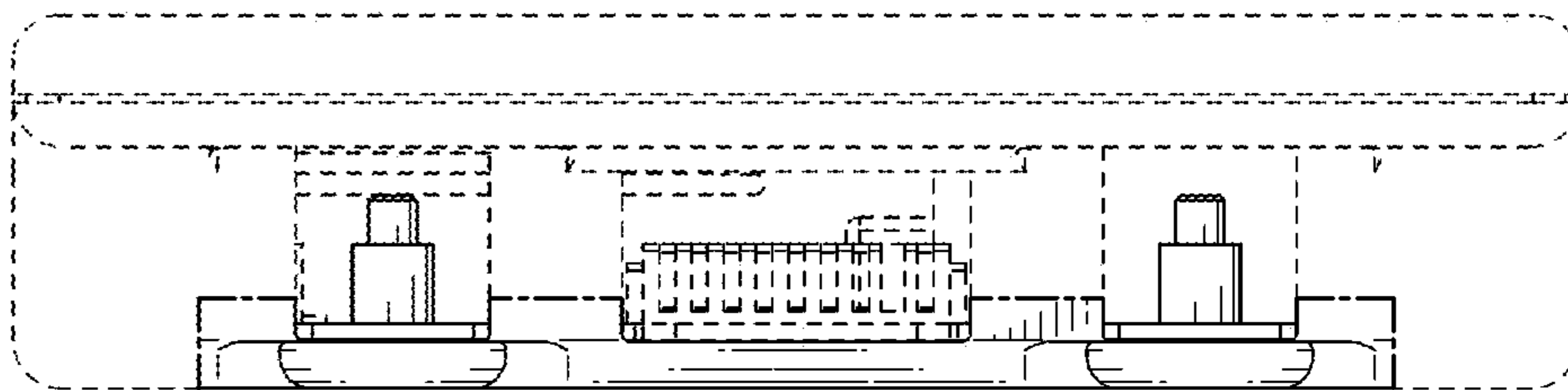


FIG. 10

