



US00D830293S

(12) **United States Design Patent**  
**Musashi**

(10) **Patent No.:** **US D830,293 S**  
(45) **Date of Patent:** **\*\* Oct. 9, 2018**

(54) **SOLAR PANEL SUPPORTING SYSTEM**

(71) Applicant: **RYOWA TECHNO SERVICE CO., Ltd.**, Tokyo (JO)

(72) Inventor: **Takamasa Musashi**, Tokyo (JP)

(73) Assignee: **RYOWA TECHNO SERVICE CO., Ltd.**, Tokyo (JP)

(\*\*) Term: **15 Years**

(21) Appl. No.: **29/607,367**

(22) Filed: **Jun. 13, 2017**

(30) **Foreign Application Priority Data**

Dec. 13, 2016 (CN) ..... 2016 3 0611939

(51) **LOC (11) Cl.** ..... **13-03**

(52) **U.S. Cl.**  
USPC ..... **D13/102**

(58) **Field of Classification Search**

USPC ..... D13/101, 102, 118, 184, 199  
CPC ..... H01L 31/00; H01L 31/02; H01L 31/042;  
H01L 31/045; H01L 31/046; H01L  
31/048; H01L 31/05; H01L 31/052; H01L  
31/0525; H02S 30/00; H02S 20/10; H02S  
20/23; H02S 20/30; H02S 40/34; H02S  
40/44; F24J 2/52; F03G 6/00

See application file for complete search history.

(56) **References Cited**

**U.S. PATENT DOCUMENTS**

D516,017 S \* 2/2006 Mascolo ..... D13/102  
D712,344 S \* 9/2014 Ilzhofer ..... D13/102  
D718,228 S \* 11/2014 Clarkson ..... D13/102  
D746,768 S \* 1/2016 Laitila ..... D13/102

D800,057 S \* 10/2017 Brinkmann ..... D13/102  
2011/0290305 A1 12/2011 Hoffmann et al.  
2017/0288601 A1\* 10/2017 Port ..... H02S 20/22

**FOREIGN PATENT DOCUMENTS**

JP D1557650 S 9/2016

**OTHER PUBLICATIONS**

Office Action by National Intellectual Property Office of Sri Lanka dated May 22, 2018, in connection with corresponding Sri Lankan Design Application No. 12140; 1 pg.  
“Overview of system components”, accessed Jul. 12, 2018; 1 pg.  
[https://www.alibaba.com/product-detail/Galvanized-Ground-Solar-Panel-Mounting-Brackets\\_60267767166.html?spm=a2700.7724838.2017115.100.423b6b3cpGHuoc](https://www.alibaba.com/product-detail/Galvanized-Ground-Solar-Panel-Mounting-Brackets_60267767166.html?spm=a2700.7724838.2017115.100.423b6b3cpGHuoc).

(Continued)

*Primary Examiner* — Daniel Bui

(74) *Attorney, Agent, or Firm* — Maier & Maier, PLLC

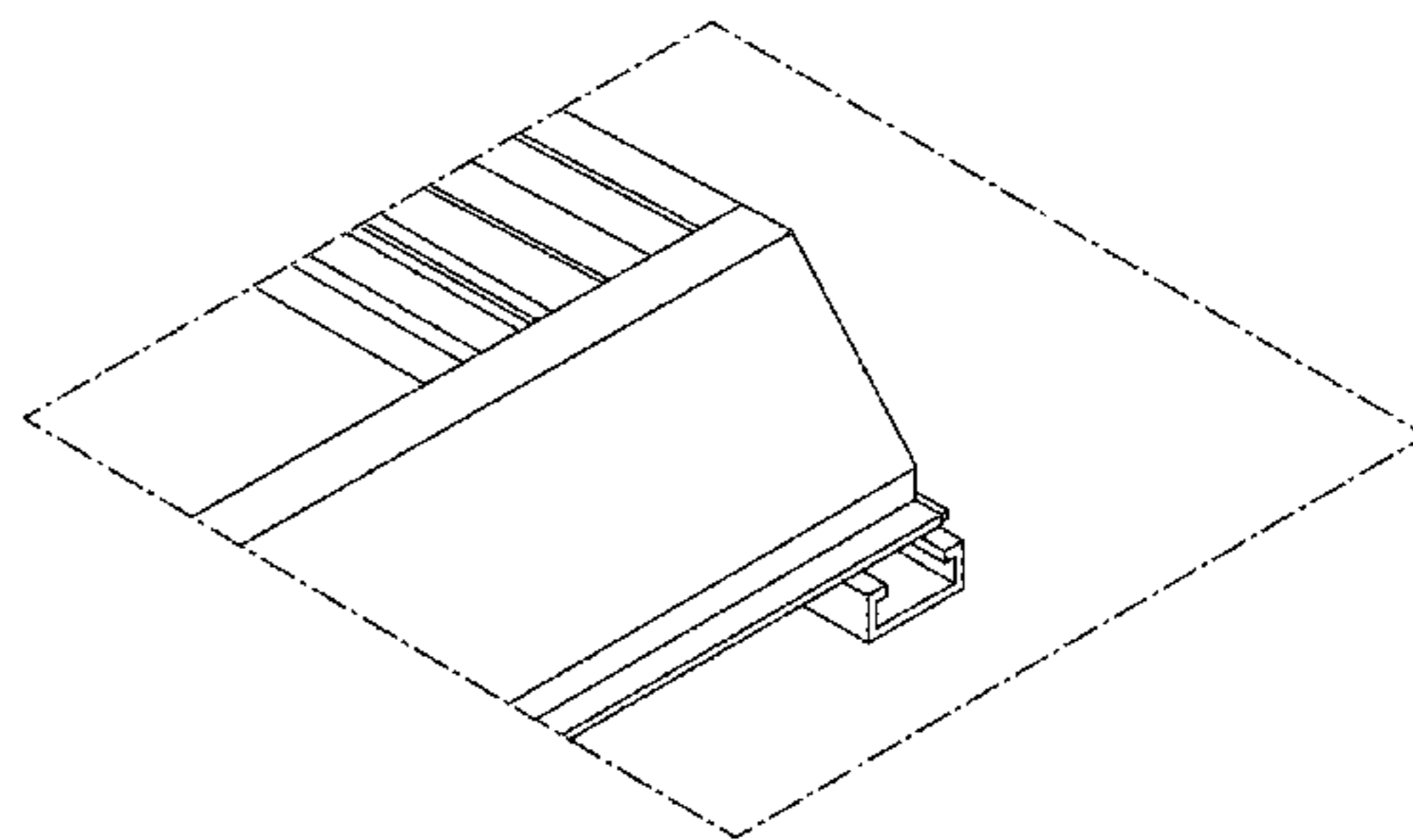
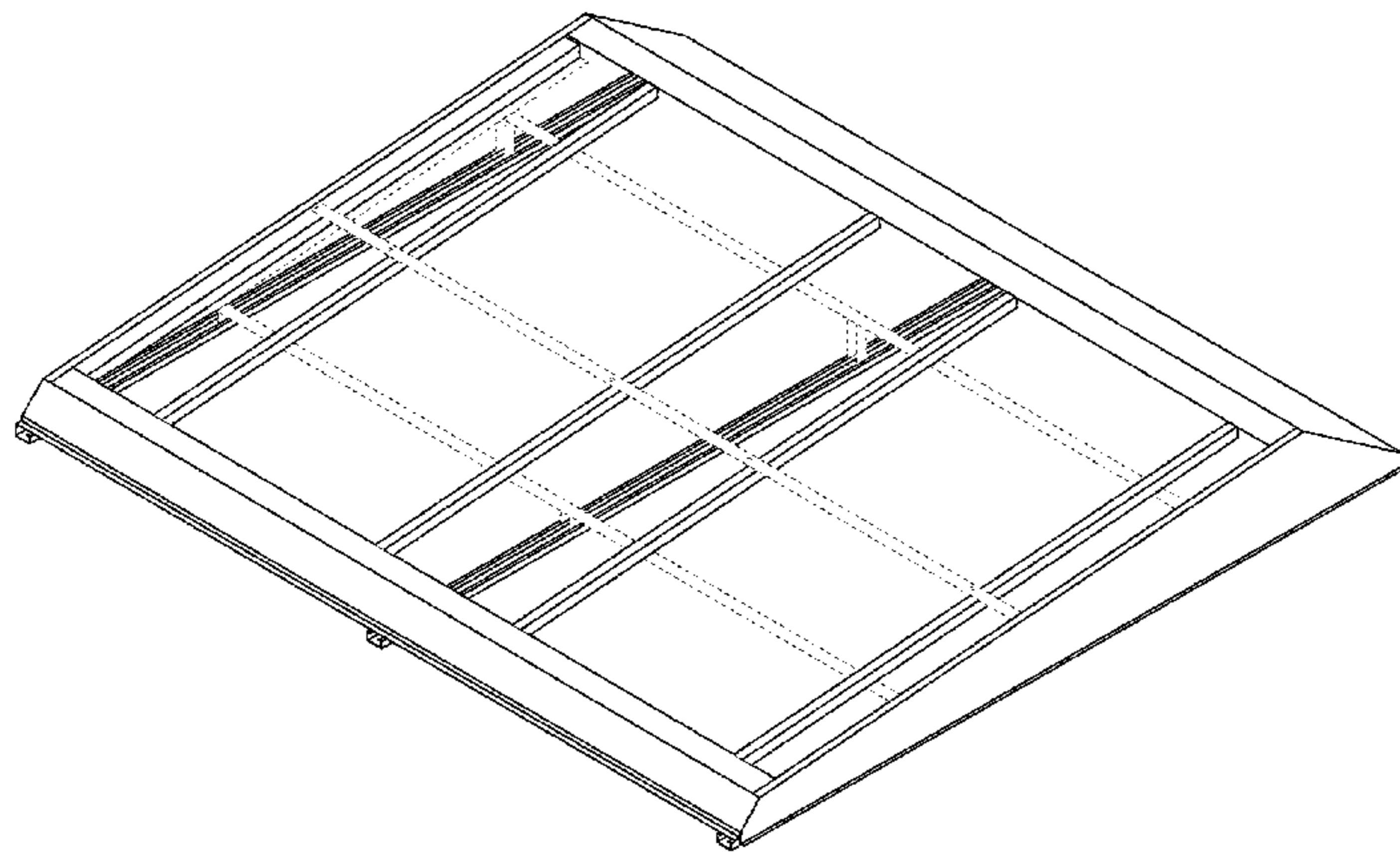
(57) **CLAIM**

The ornamental design for a solar panel supporting system, as shown and described.

**DESCRIPTION**

FIG. 1 is a front elevational view of a solar panel supporting system showing my new design;  
FIG. 2 is a rear elevational view thereof;  
FIG. 3 is a left side elevational view thereof;  
FIG. 4 is a right side elevational view thereof;  
FIG. 5 is a top plan view thereof;  
FIG. 6 is a bottom plan view thereof;  
FIG. 7 is a top, rear, and right side perspective view thereof;  
FIG. 8 is an enlarged perspective view thereof at a part represented by arrows C in FIG. 5; and,  
FIG. 9 is an enlarged sectional view thereof at a part represented by arrows A and B in FIG. 5.  
The broken lines shown in the drawing views represent unclaimed portions of the solar panel supporting system, and form no part of the claimed design.

**1 Claim, 5 Drawing Sheets**



(56)

**References Cited**

OTHER PUBLICATIONS

“Flat Roof Mounting System”, accessed Jul. 12, 2018; 1 pg. <https://mysolarpanel.podbean.com/e/flat-roof-mounting-system/>; and <https://sunto.dk/alfa-system-plus-montagesystem-til-fladt-tag/>.

“Solar Stik 100 Lite”, accessed Jan. 8, 2018; 1 pg. <http://www.altern-energy.com/img/spot/Solar%20Stik%20100%20Lite%20314px.png>.

\* cited by examiner

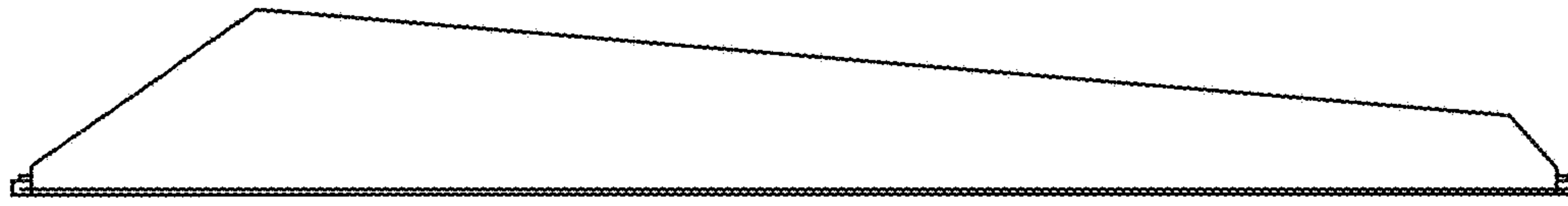


Fig. 1

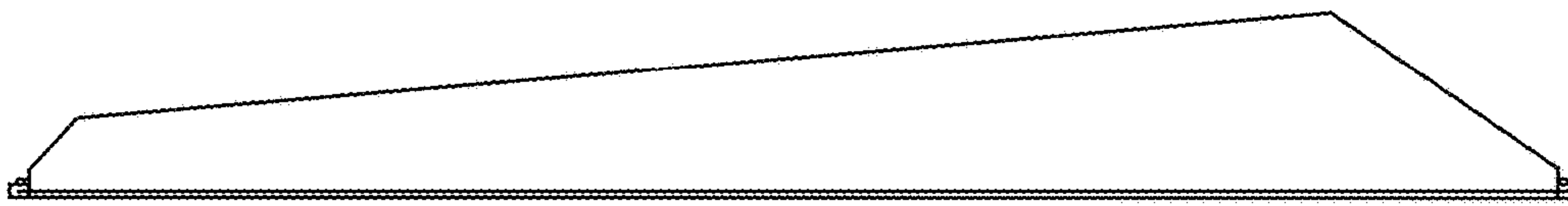


Fig. 2

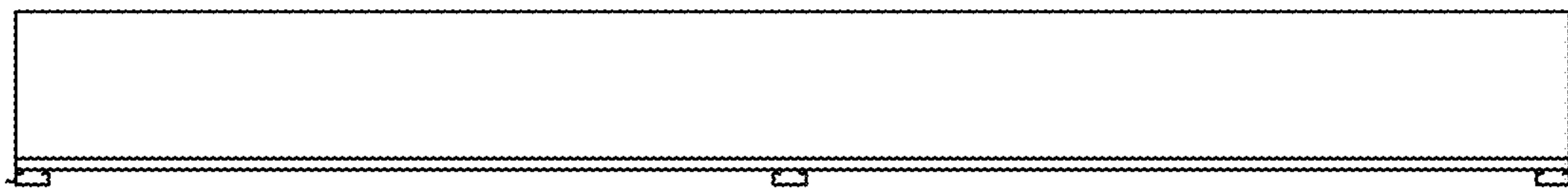


Fig. 3

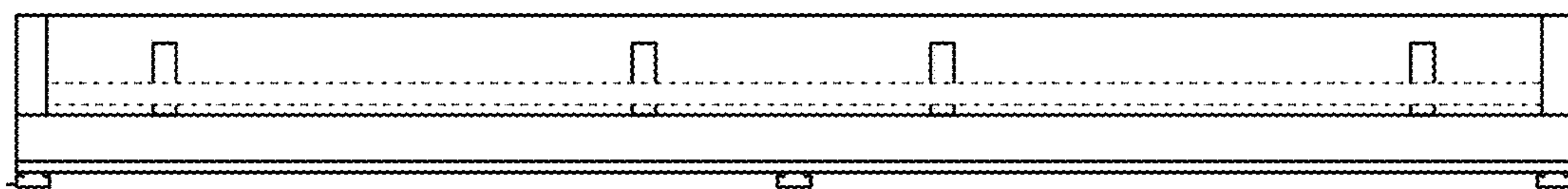


Fig. 4

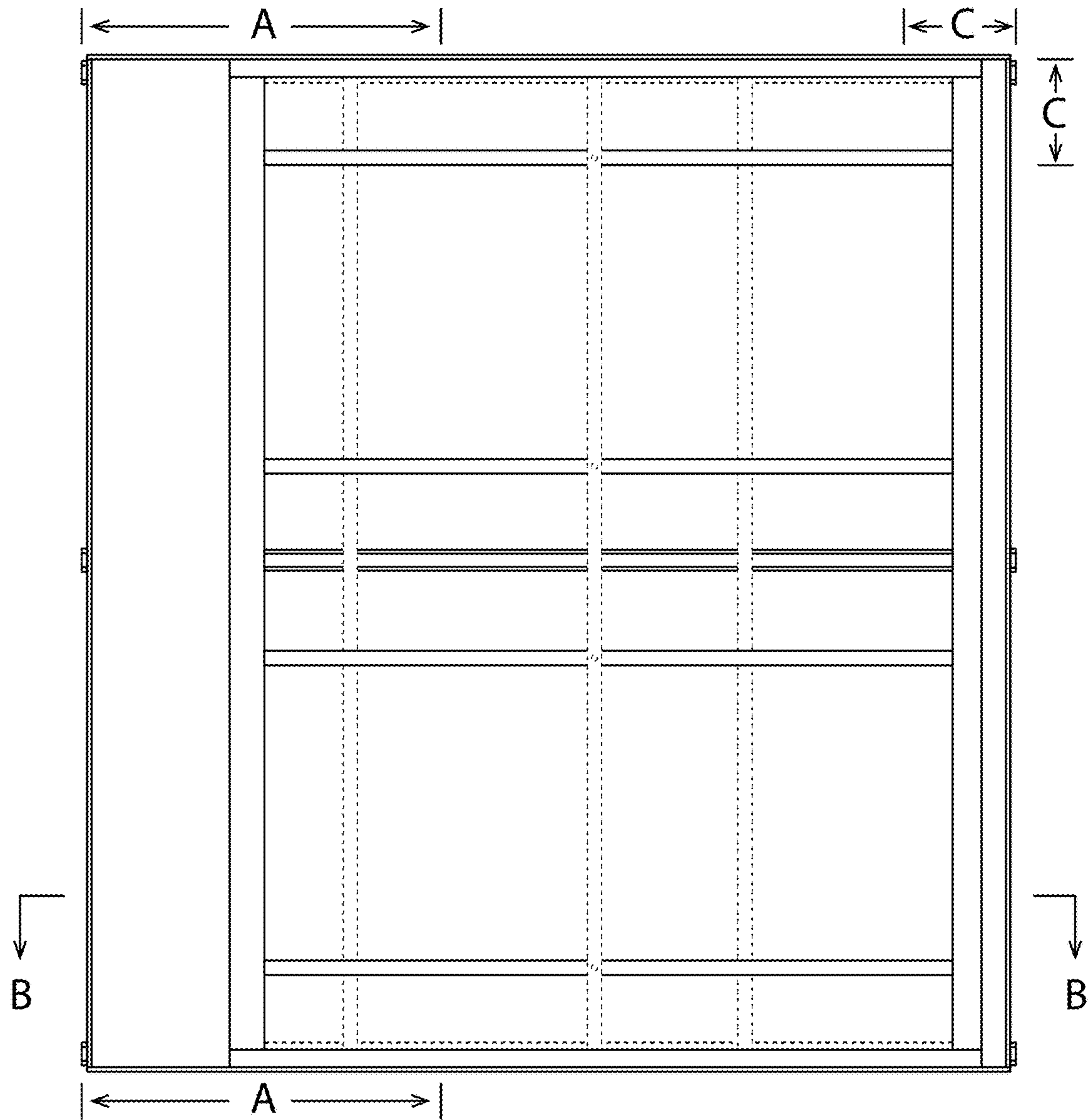


Fig. 5

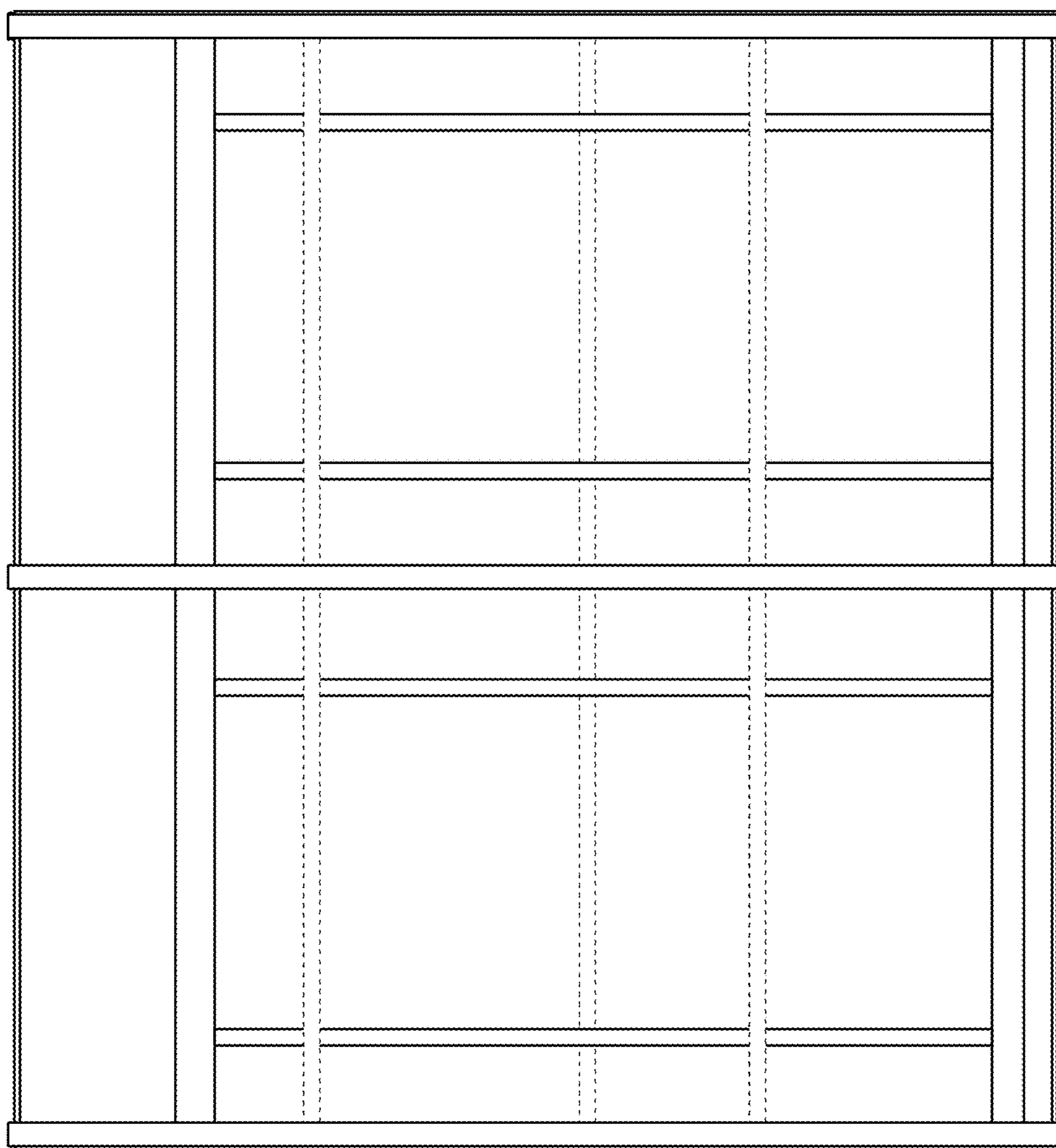


Fig. 6

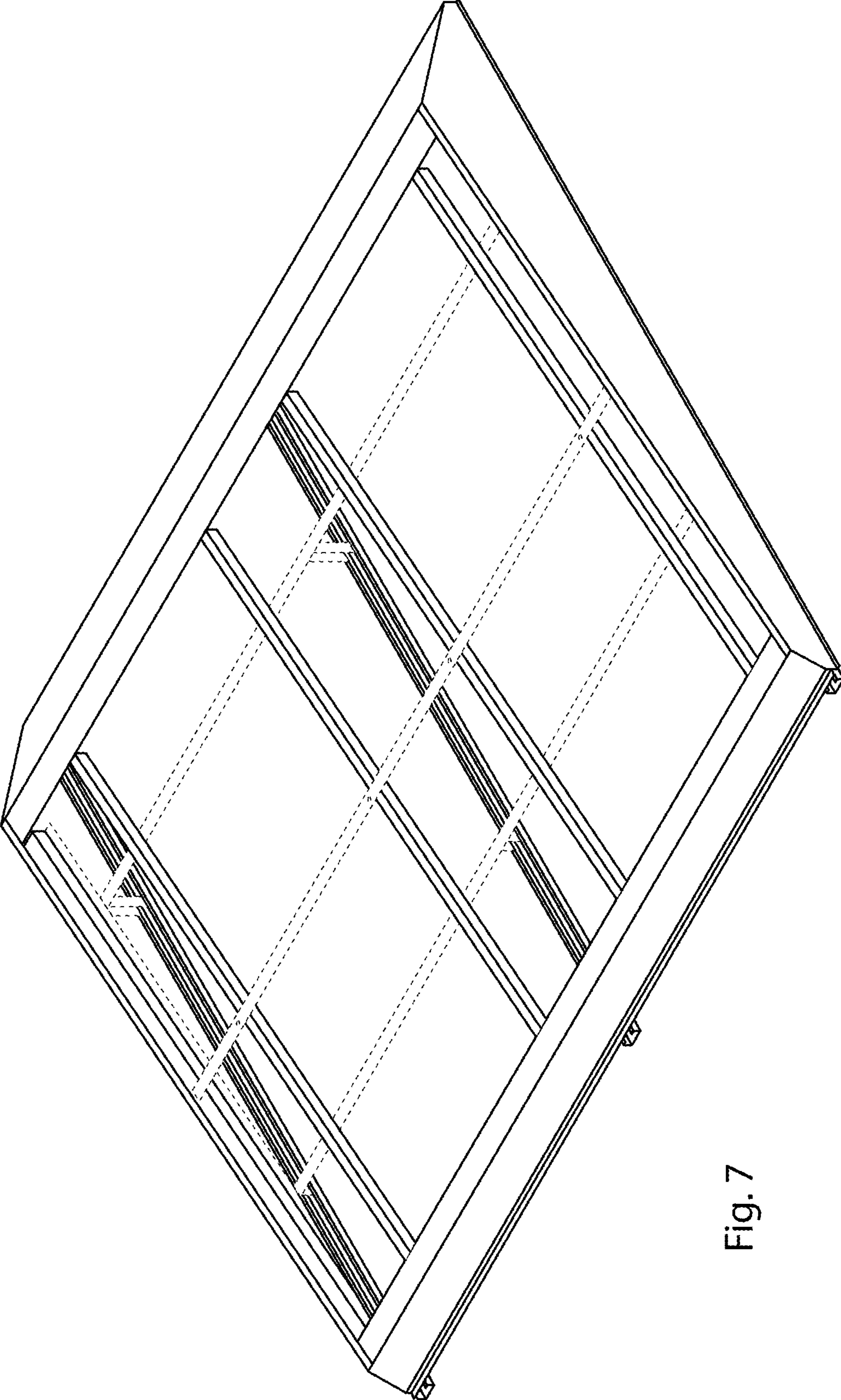


Fig. 7

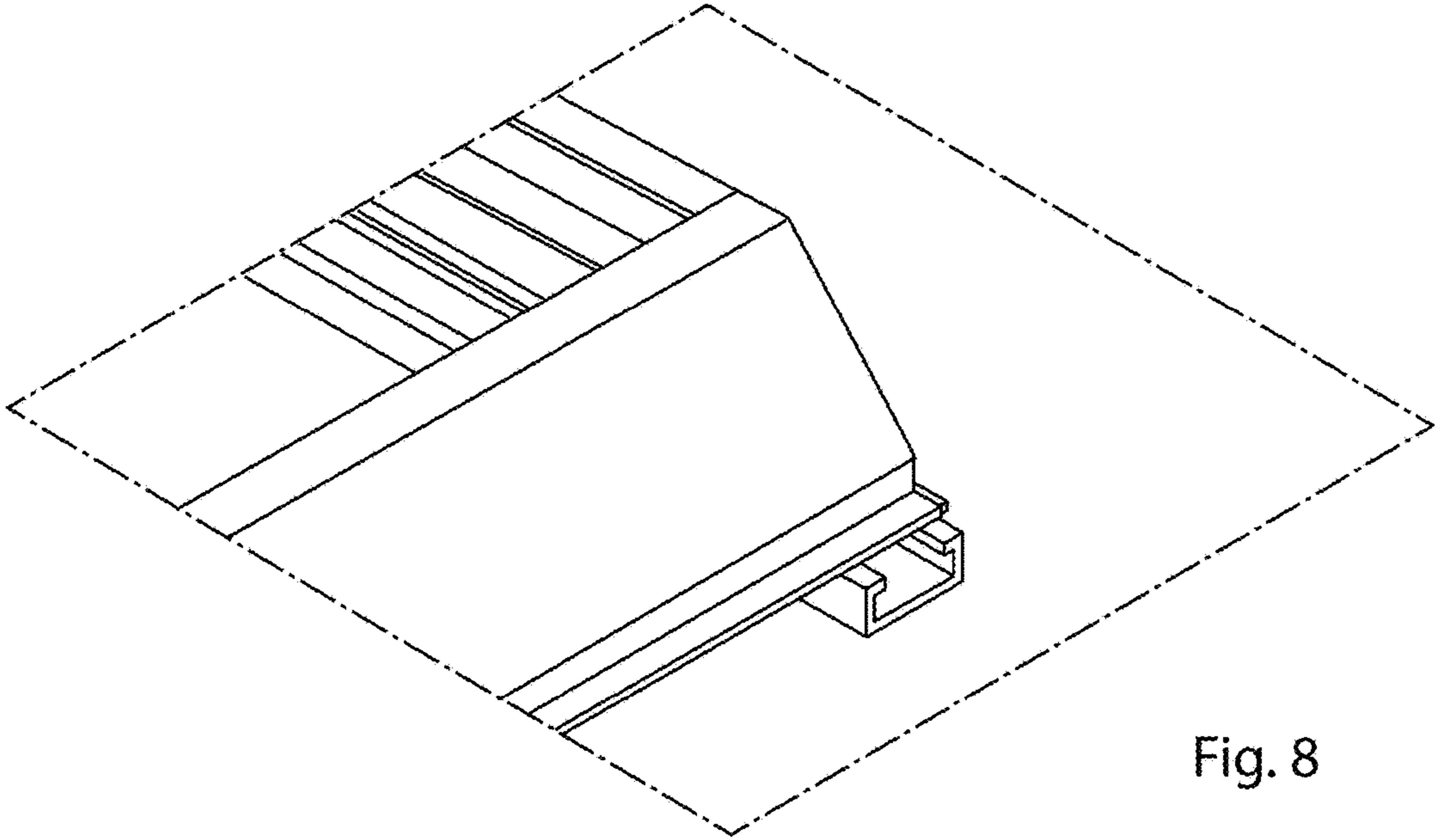


Fig. 8

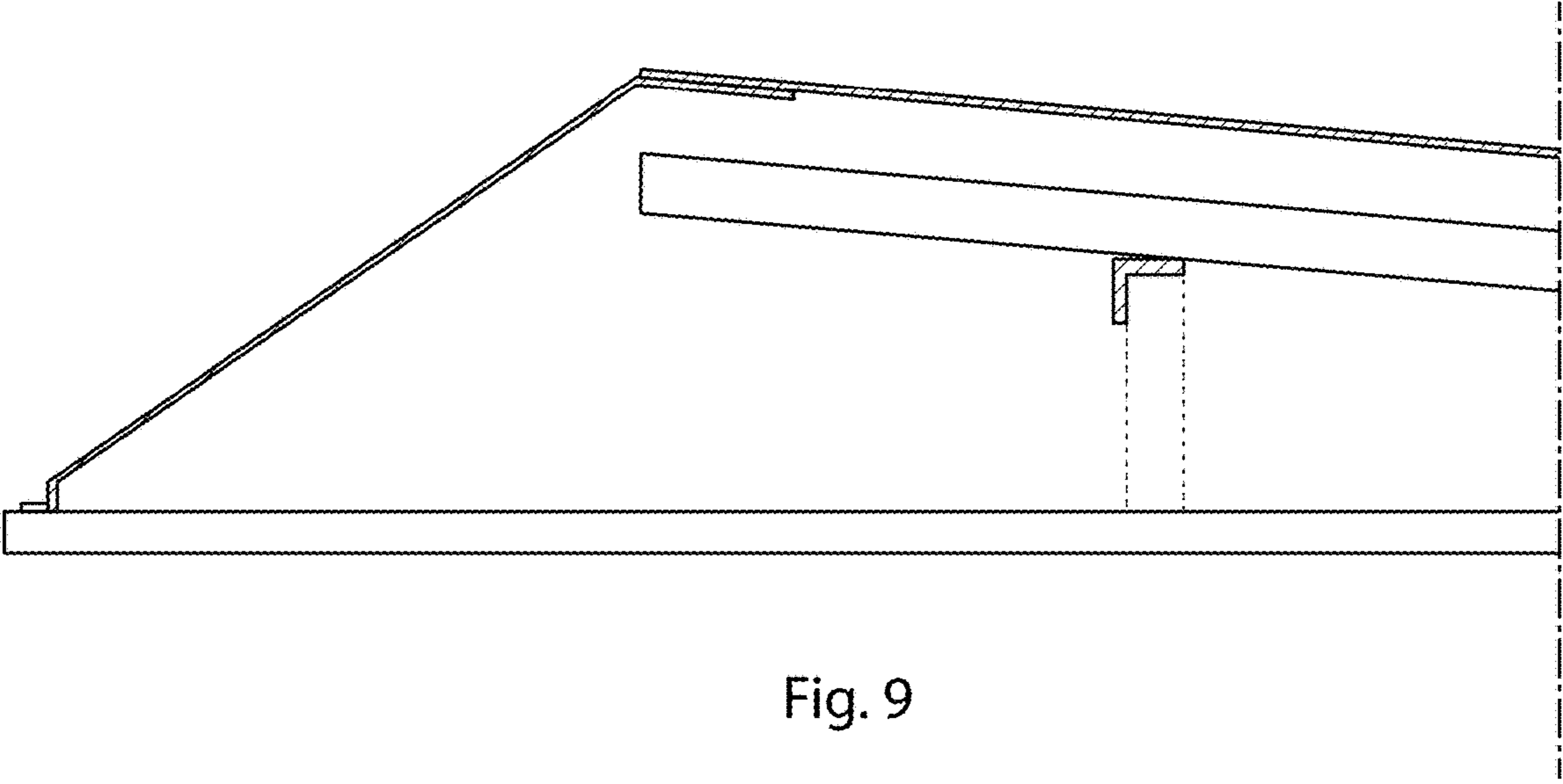


Fig. 9