



US00D830288S

(12) **United States Design Patent**
Uchida

(10) **Patent No.:** **US D830,288 S**

(45) **Date of Patent:** **** *Oct. 9, 2018**

(54) **AUTOMOBILE TIRE**

(71) Applicant: **THE YOKOHAMA RUBBER CO., LTD.**, Minato-ku, Tokyo (JP)

(72) Inventor: **Yuta Uchida**, Hiratsuka (JP)

(73) Assignee: **THE YOKOHAMA RUBBER CO., LTD.**, Minato-ku, Tokyo (JP)

(*) Notice: This patent is subject to a terminal disclaimer.

(**) Term: **15 Years**

(21) Appl. No.: **29/596,808**

(22) Filed: **Mar. 10, 2017**

(30) **Foreign Application Priority Data**

Sep. 14, 2016 (JP) 2016-019871

(51) **LOC (11) Cl.** **12-15**

(52) **U.S. Cl.**
USPC **D12/567**

(58) **Field of Classification Search**
USPC D12/533-567
CPC B60C 11/0302; B60C 2011/0358; B60C 2011/0374
See application file for complete search history.

(56) **References Cited**

U.S. PATENT DOCUMENTS

D354,029 S *	1/1995	Voigt	D12/564
D379,449 S *	5/1997	Graas	D12/563
D467,864 S *	12/2002	Whetzel	D12/559
D469,055 S *	1/2003	Johenning	D12/563
D470,100 S *	2/2003	Johenning	D12/563
D512,682 S *	12/2005	Krenz	D12/564

D560,157 S *	1/2008	Lo	D12/567
D589,434 S *	3/2009	Behr	D12/553
D670,235 S *	11/2012	de Briey-Terlinden	D12/567
D702,625 S *	4/2014	Leconte	D12/564
D702,626 S *	4/2014	de Briey-Terlinden	D12/567
D711,309 S *	8/2014	Kawakita	D12/567
D716,720 S *	11/2014	Seng	D12/563
D722,556 S *	2/2015	Takei	D12/567
D756,896 S *	5/2016	Leconte	D12/564
D792,836 S *	7/2017	Davis	D12/559

* cited by examiner

Primary Examiner — George D Kirschbaum

Assistant Examiner — Joseph J Kukella

(74) *Attorney, Agent, or Firm* — Banner & Witcoff, Ltd.

(57) **CLAIM**

The ornamental design for an automobile tire, as shown and described.

DESCRIPTION

FIG. 1 is a perspective view of an automobile tire showing my new design;

FIG. 2 is a front view thereof;

FIG. 3 is a rear view thereof;

FIG. 4 is a right side view thereof;

FIG. 5 is a left side view thereof;

FIG. 6 is a top view thereof;

FIG. 7 is a bottom view thereof;

FIG. 8 is a partially enlarged view of a portion defined by lines 8-8 shown in FIG. 2; and,

FIG. 9 is a cross sectional view of a portion defined by lines 9-9 shown in FIG. 8.

In the drawings, the broken lines depict environmental subject matter only and form no part of the claimed design.

The dot and dashed lines represents a boundary between the claimed portion and the non-claimed portion.

1 Claim, 9 Drawing Sheets

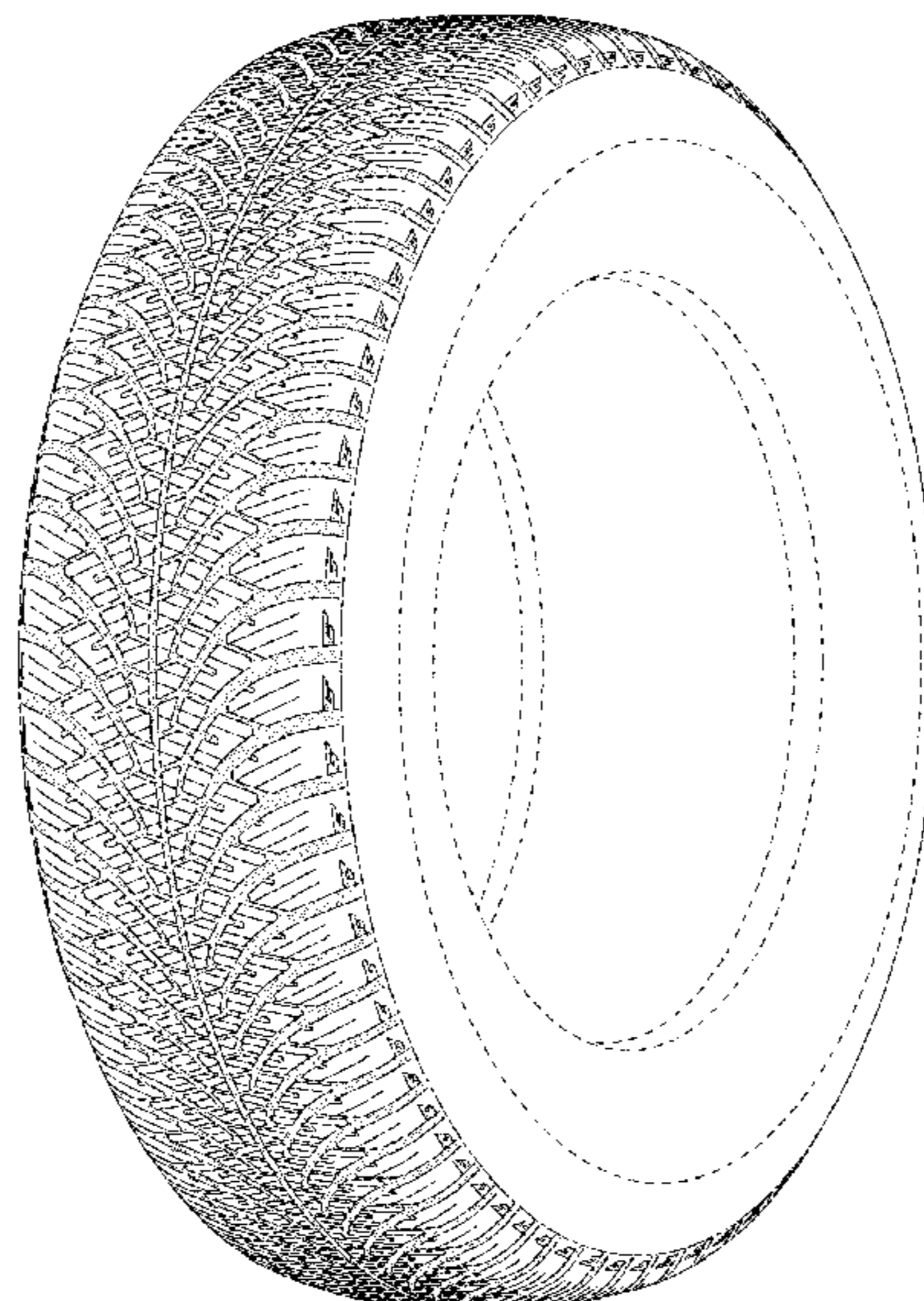


FIG. 1

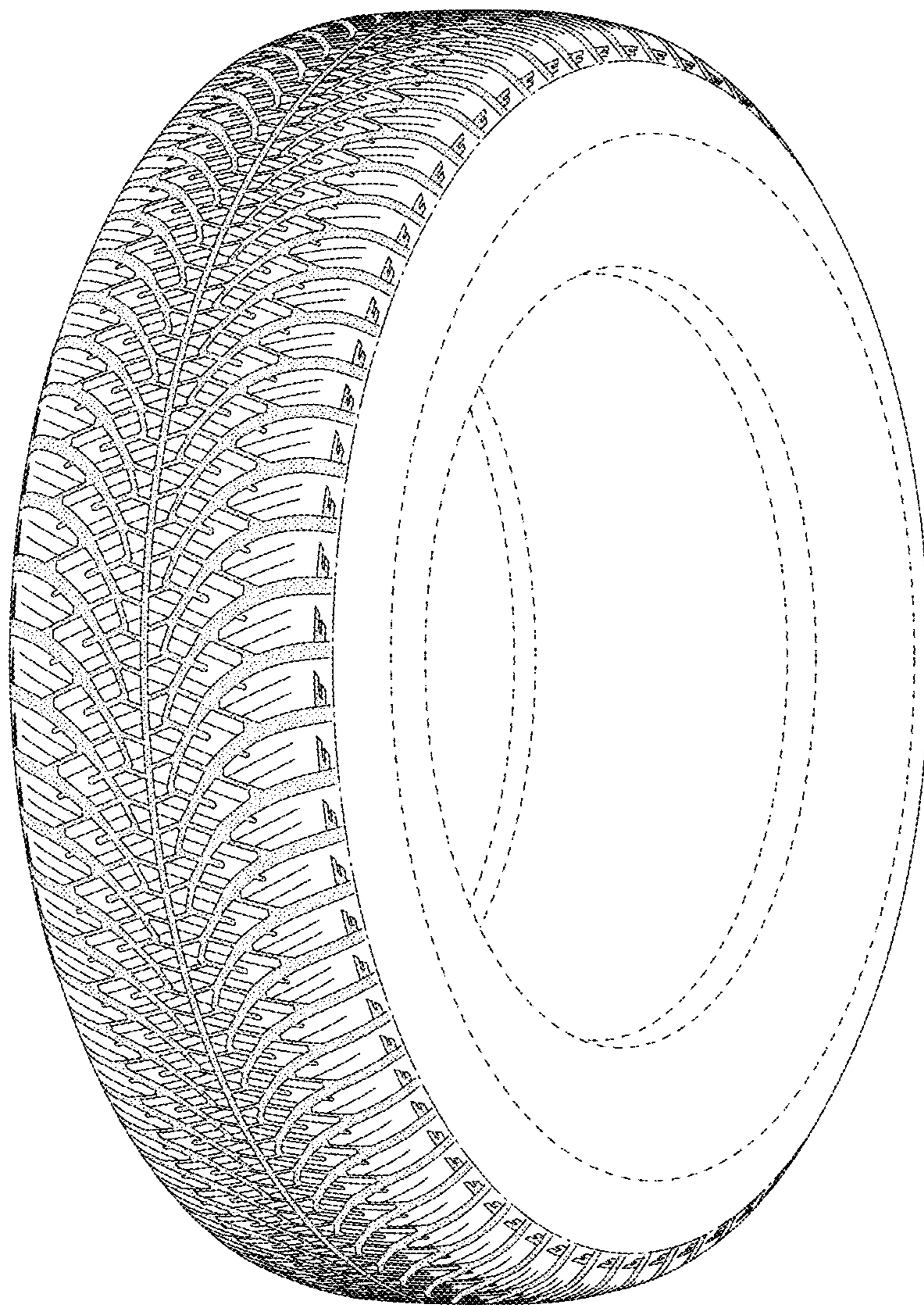


FIG. 2

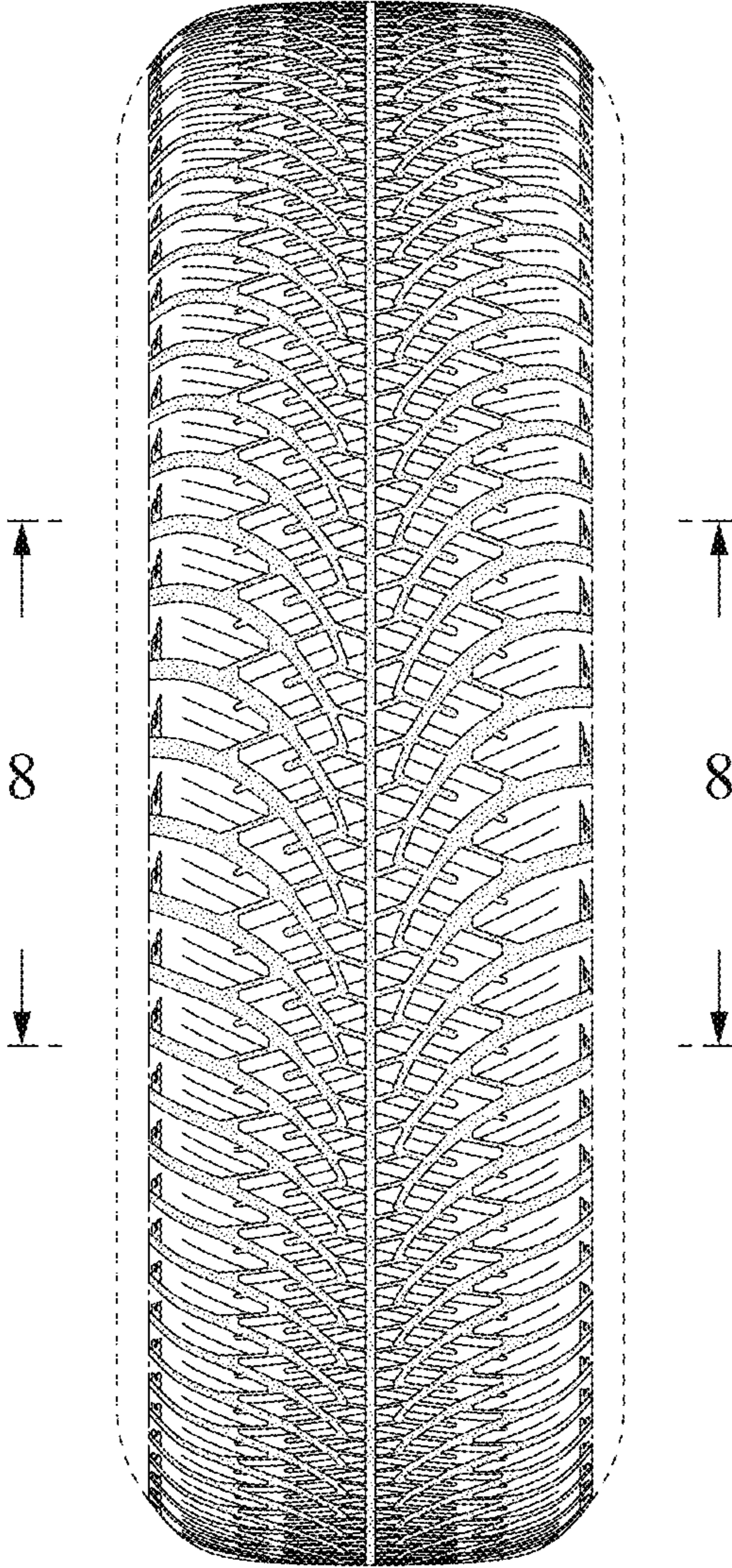


FIG. 3

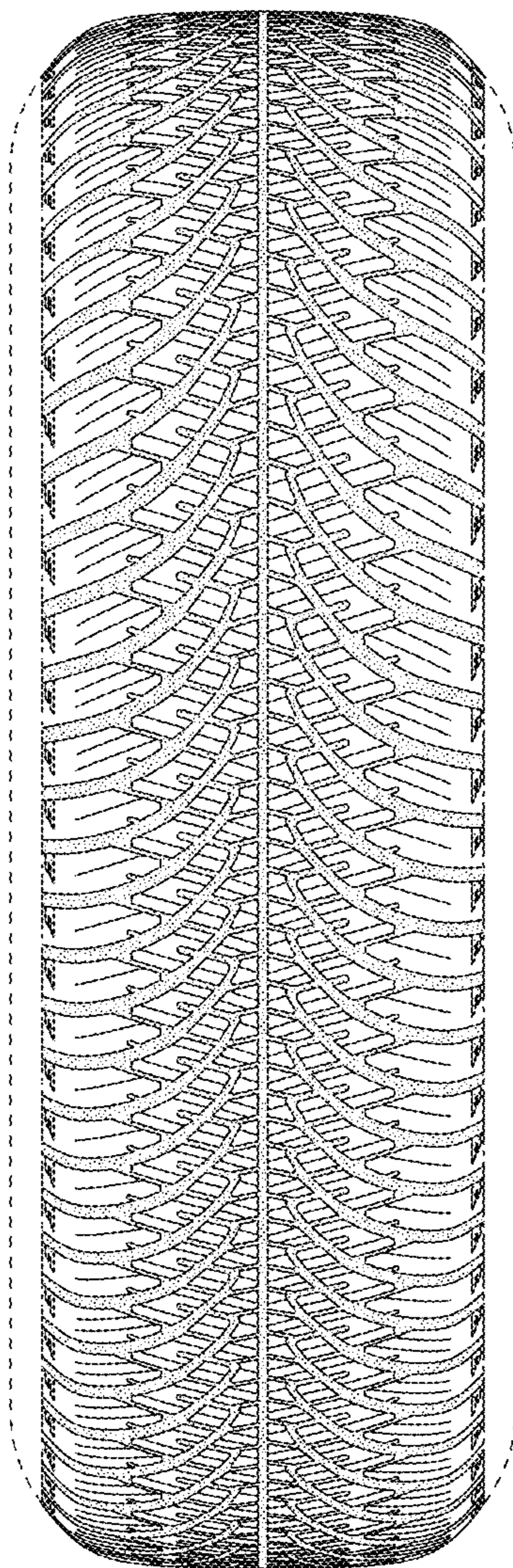


FIG. 4

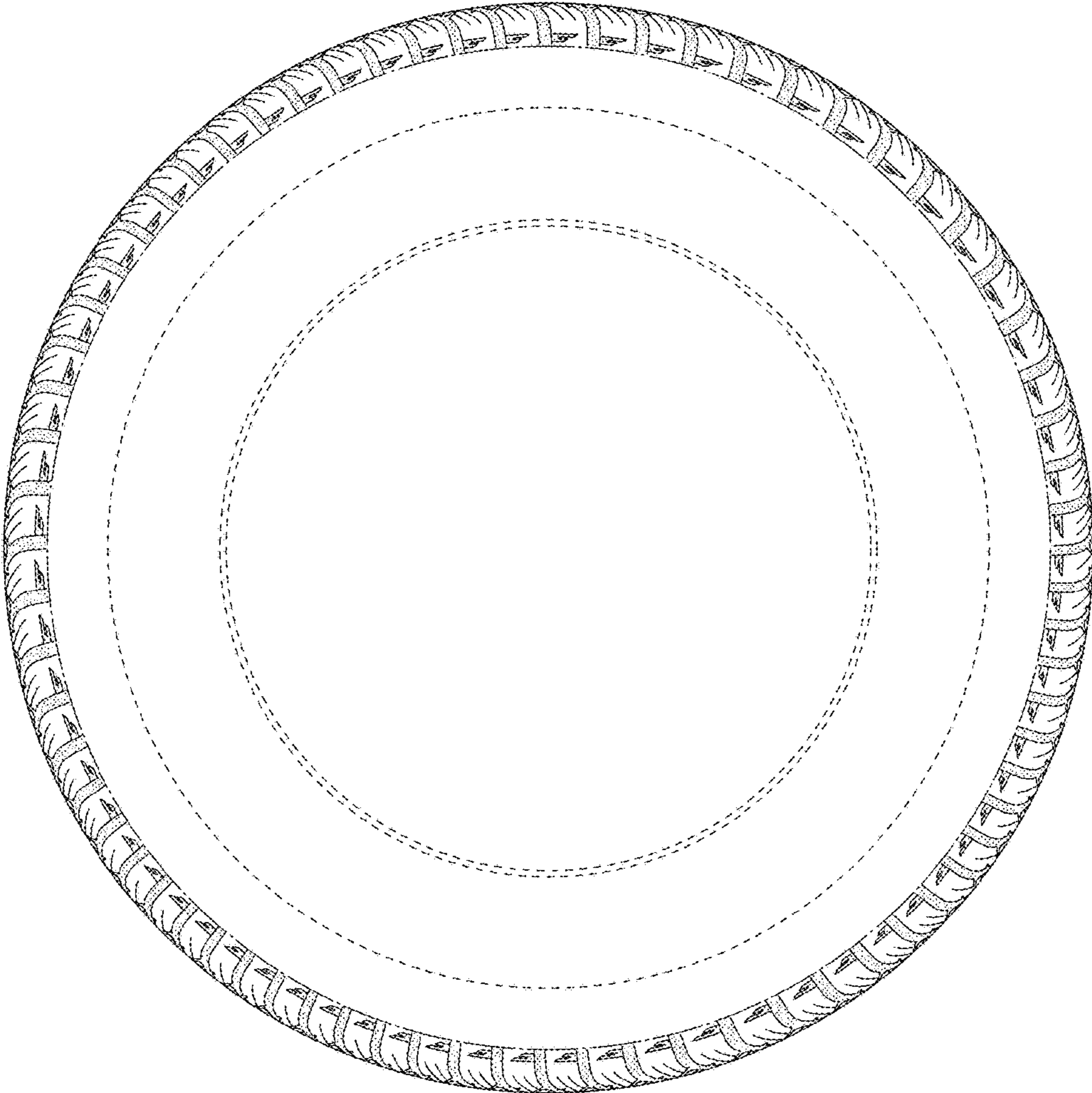


FIG. 5

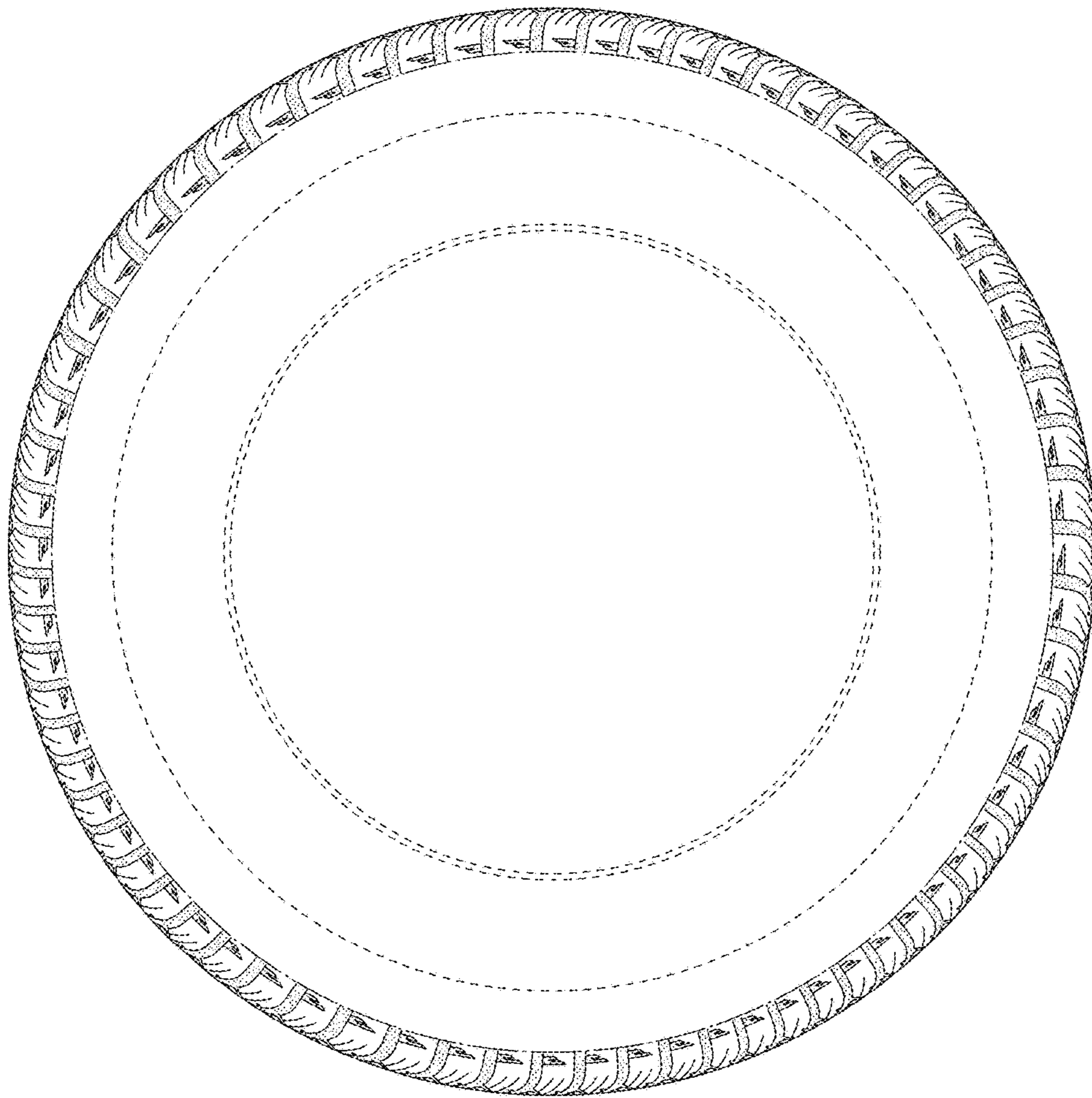


FIG. 6

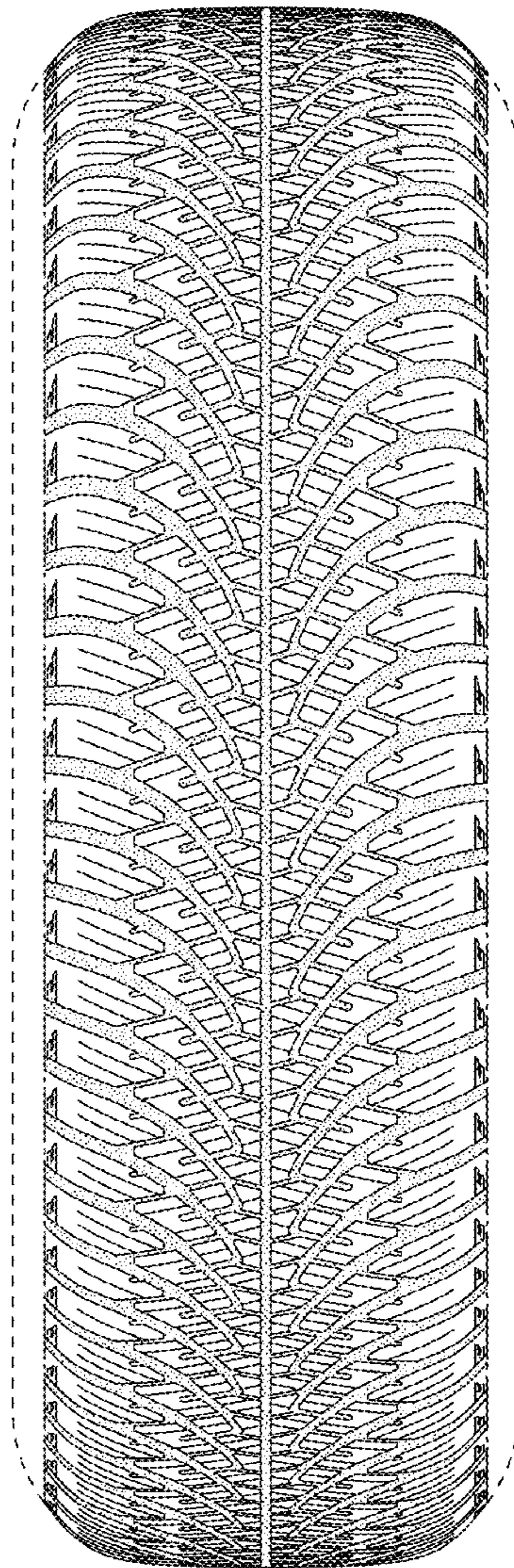


FIG. 7

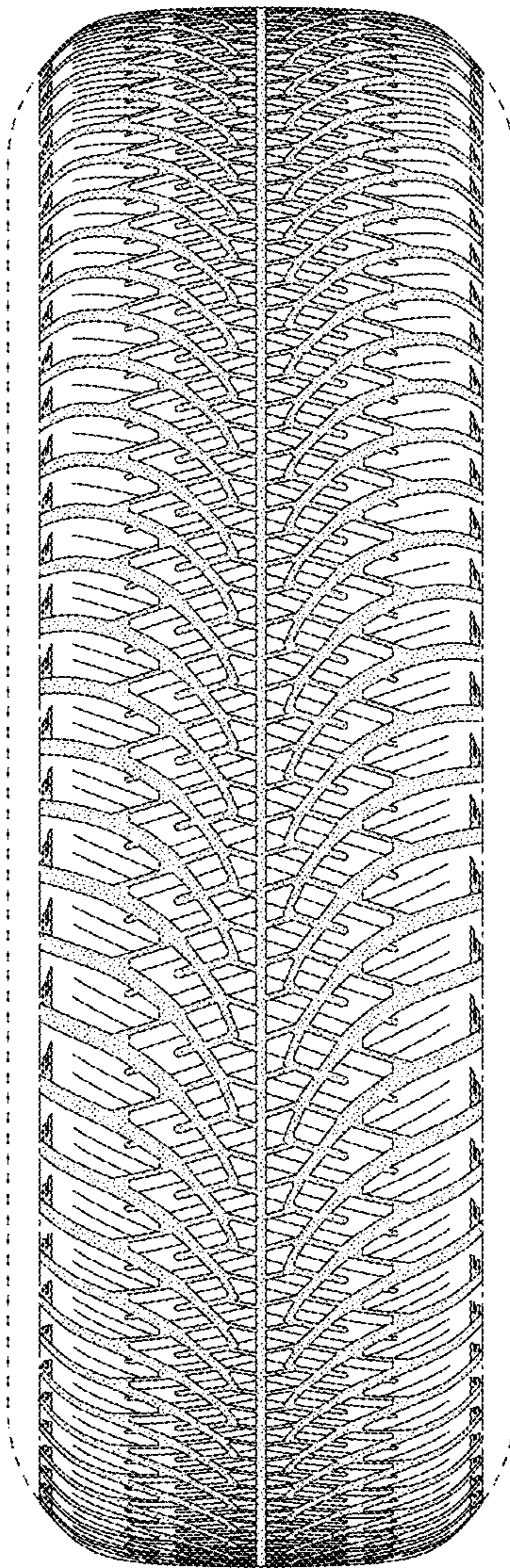


FIG. 8

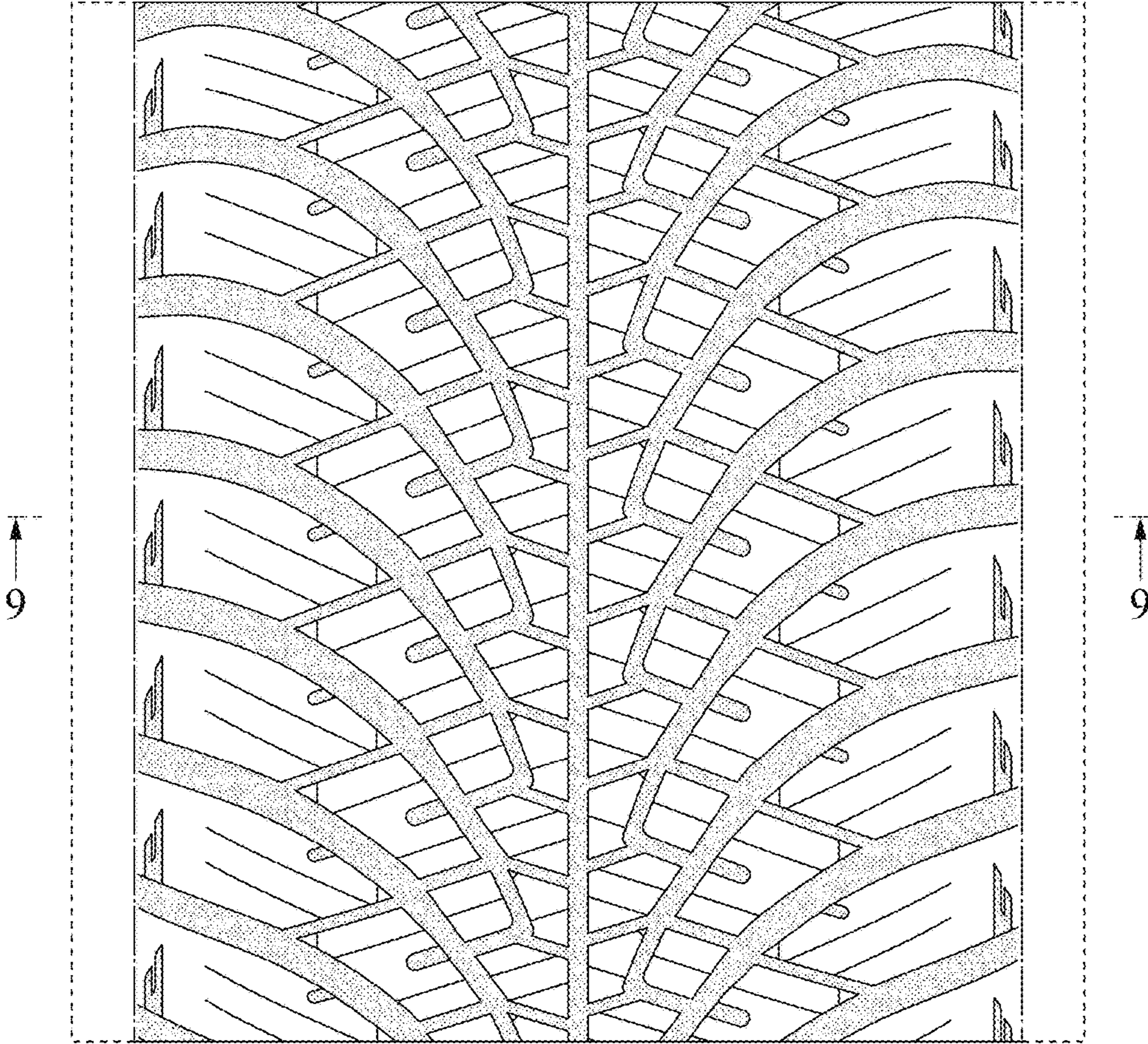


FIG. 9

